



US00D827305S

(12) **United States Design Patent** (10) **Patent No.:** **US D827,305 S**  
**Cheng** (45) **Date of Patent:** **\*\* Sep. 4, 2018**

(54) **GPS STORAGE BOX**  
(71) Applicant: **Ningbo Newland Magnet Industry Corporation Limited, Zhejiang (CN)**  
(72) Inventor: **Tinghai Cheng, Zhejiang (CN)**  
(\*\*) Term: **15 Years**  
(21) Appl. No.: **29/594,138**

D430,398 S \* 9/2000 Kimura ..... D3/273  
D454,688 S \* 3/2002 Russell ..... D3/276  
D467,075 S \* 12/2002 Fajers ..... D3/273  
D467,076 S \* 12/2002 Fajers ..... D3/273  
D593,751 S \* 6/2009 McDade ..... D3/272  
D624,317 S \* 9/2010 Wenchel ..... D3/294  
D636,598 S \* 4/2011 Tseng ..... D3/294  
D664,766 S \* 8/2012 Prats ..... D3/294  
D776,523 S \* 1/2017 Sabbag ..... D3/276  
D792,708 S \* 7/2017 Tazawa ..... D3/276

(Continued)

(22) Filed: **Feb. 15, 2017**  
(30) **Foreign Application Priority Data**

Aug. 16, 2016 (CN) ..... 2016 3 0392127

(51) **LOC (11) Cl.** ..... **03-01**

(52) **U.S. Cl.**  
USPC ..... **D3/321; D3/905**

(58) **Field of Classification Search**  
USPC ..... D3/269, 272, 273, 274, 276, 279, 281,  
D3/282, 283, 288, 290, 294, 298, 299,  
D3/905, 217, 321, 318; D34/12, 14, 17,  
D34/19, 20, 18, 23, 24, 25, 27  
CPC .... B62B 1/00; B62B 3/00; B25H 3/00; B25H  
3/003; B25H 3/02; B25H 5/00; A45C  
7/00; A45C 5/00; A45C 5/005; A45C  
2005/037; A45C 5/04; A45C 5/14; A45C  
2007/0004; A45C 7/0018; A45C  
2009/002

See application file for complete search history.

(56) **References Cited**

**U.S. PATENT DOCUMENTS**

D153,660 S \* 5/1949 Arbib ..... D3/281  
D221,821 S \* 9/1971 Genaro et al. .... D3/282  
D333,615 S \* 3/1993 Zutler ..... D3/294  
D353,265 S \* 12/1994 Newby, Sr. .... D3/269  
D356,255 S \* 3/1995 Syrek ..... D9/424  
D386,306 S \* 11/1997 Zimmerman ..... D3/273  
D418,678 S \* 1/2000 Robson ..... D3/282  
D429,975 S \* 8/2000 Marshall-Rees ..... D3/282

**OTHER PUBLICATIONS**

Amazon, "Spy Tec GL-HM Waterproof Weatherproof Magnetic Case for STI GL300 Real-Time GPS Trackers", First reviewed on Sep. 2, 2014, Accessed Aug. 18, 2017. (<https://www.amazon.com/Spy-Tec-Waterproof-Weatherproof-Real-Time/dp/B00L1G6GCS>).\*

(Continued)

*Primary Examiner* — Jennifer Rivard  
*Assistant Examiner* — April Rivas  
(74) *Attorney, Agent, or Firm* — Prakash Nama; Global IP Services, PLLC

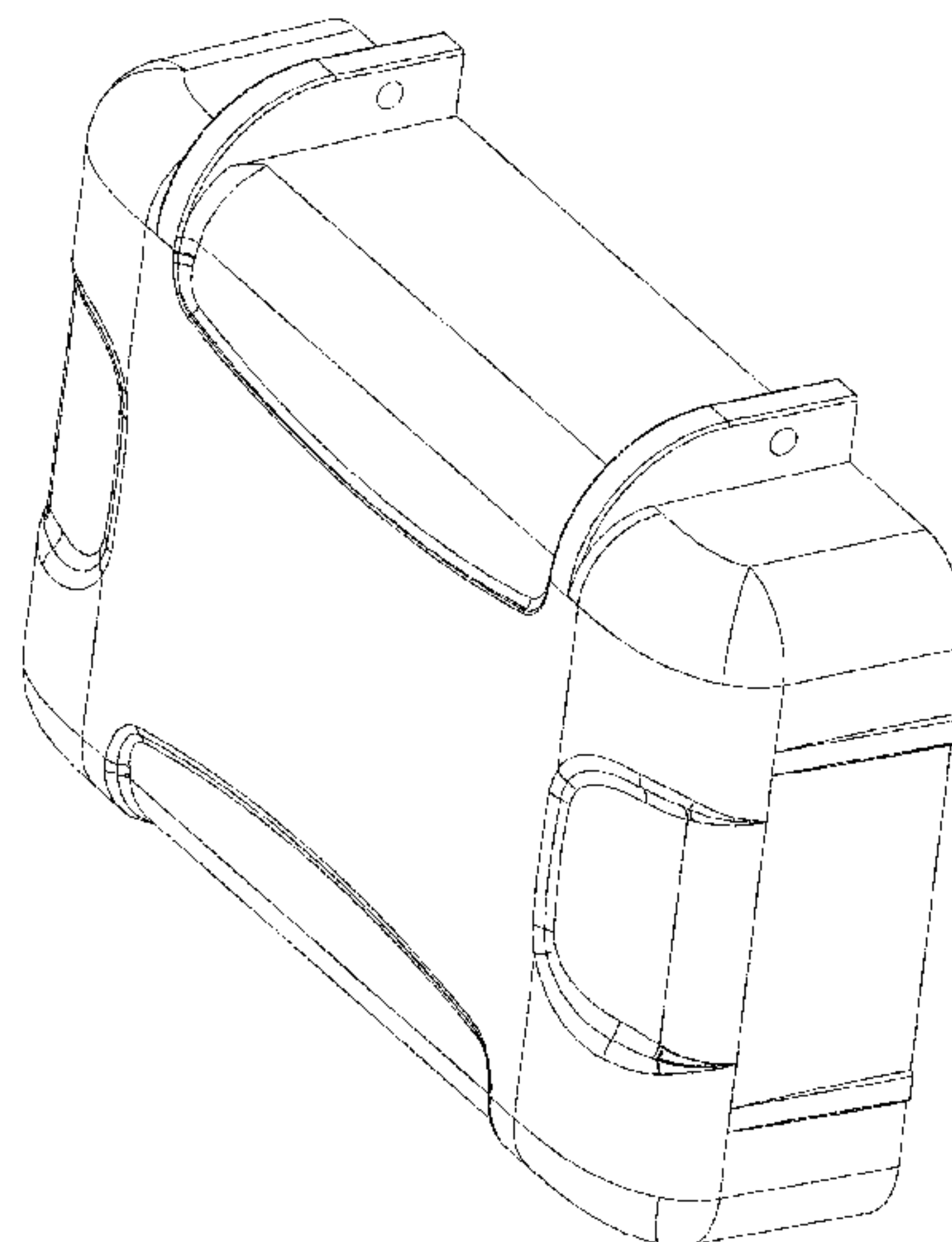
(57) **CLAIM**

The ornamental design for a GPS storage box, as shown and described.

**DESCRIPTION**

FIG. 1 is a front elevational view of a GPS storage box showing my new design;  
FIG. 2 is a rear elevational view thereof;  
FIG. 3 is a left side view thereof;  
FIG. 4 is a right side view thereof;  
FIG. 5 is a top plan view thereof;  
FIG. 6 is a bottom plan view thereof; and,  
FIG. 7 is a perspective view thereof.  
The broken lines illustrate portions of the GPS storage box and form no part of the claimed design.

**1 Claim, 3 Drawing Sheets**



(56)

**References Cited**

U.S. PATENT DOCUMENTS

2003/0080124 A1\* 5/2003 Parker ..... A45C 13/008  
220/4.21

OTHER PUBLICATIONS

Amazon, "Optimus Twin Magnet GPS Tracker Case—Waterproof—Neodymium Magnets", First for sale on amazon Feb. 22, 2016. (<https://www.amazon.com/Optimus-Twin-Magnet-Tracker-Case/dp/B01C34A910/>).\*

\* cited by examiner

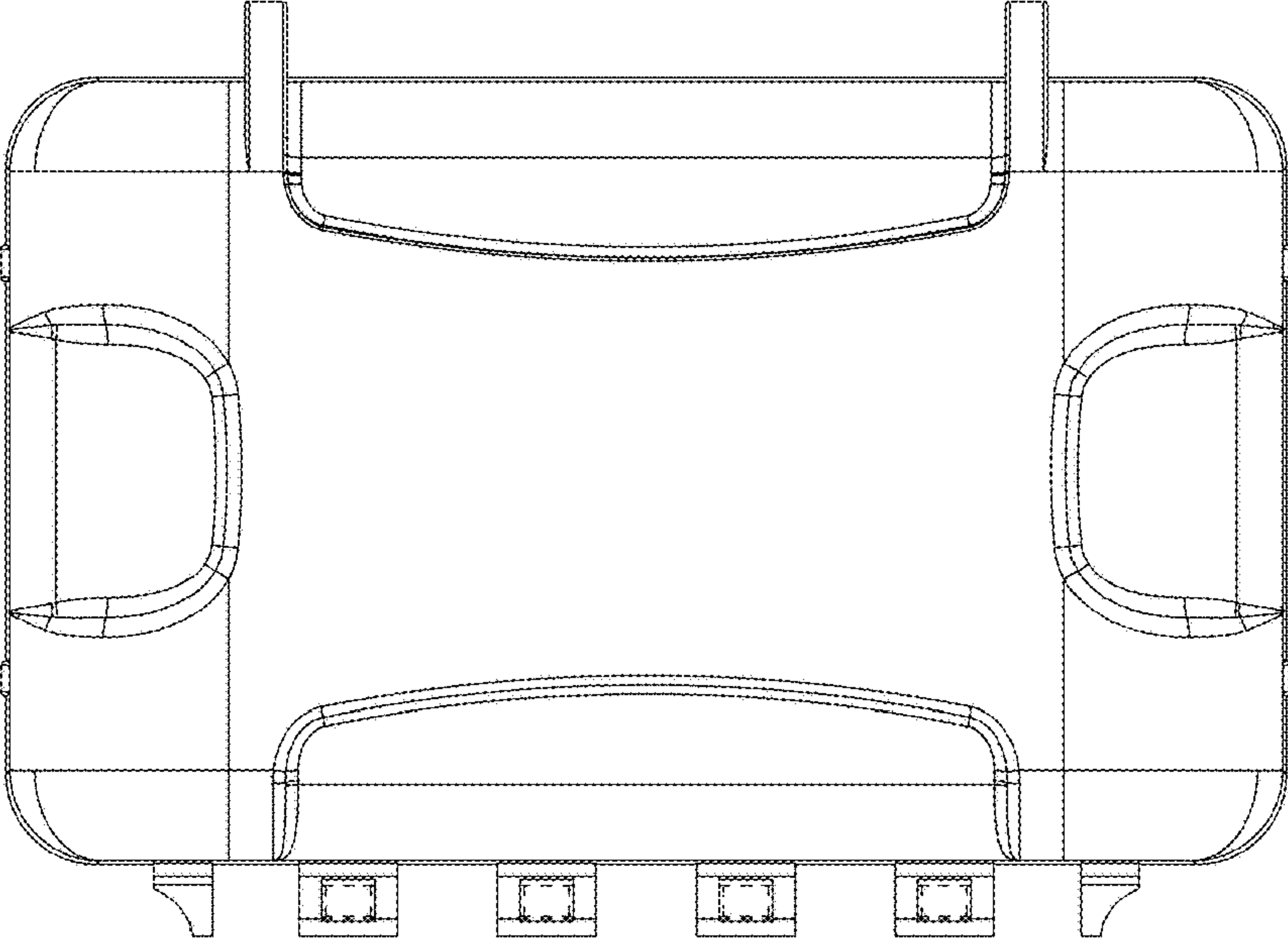


FIG. 1

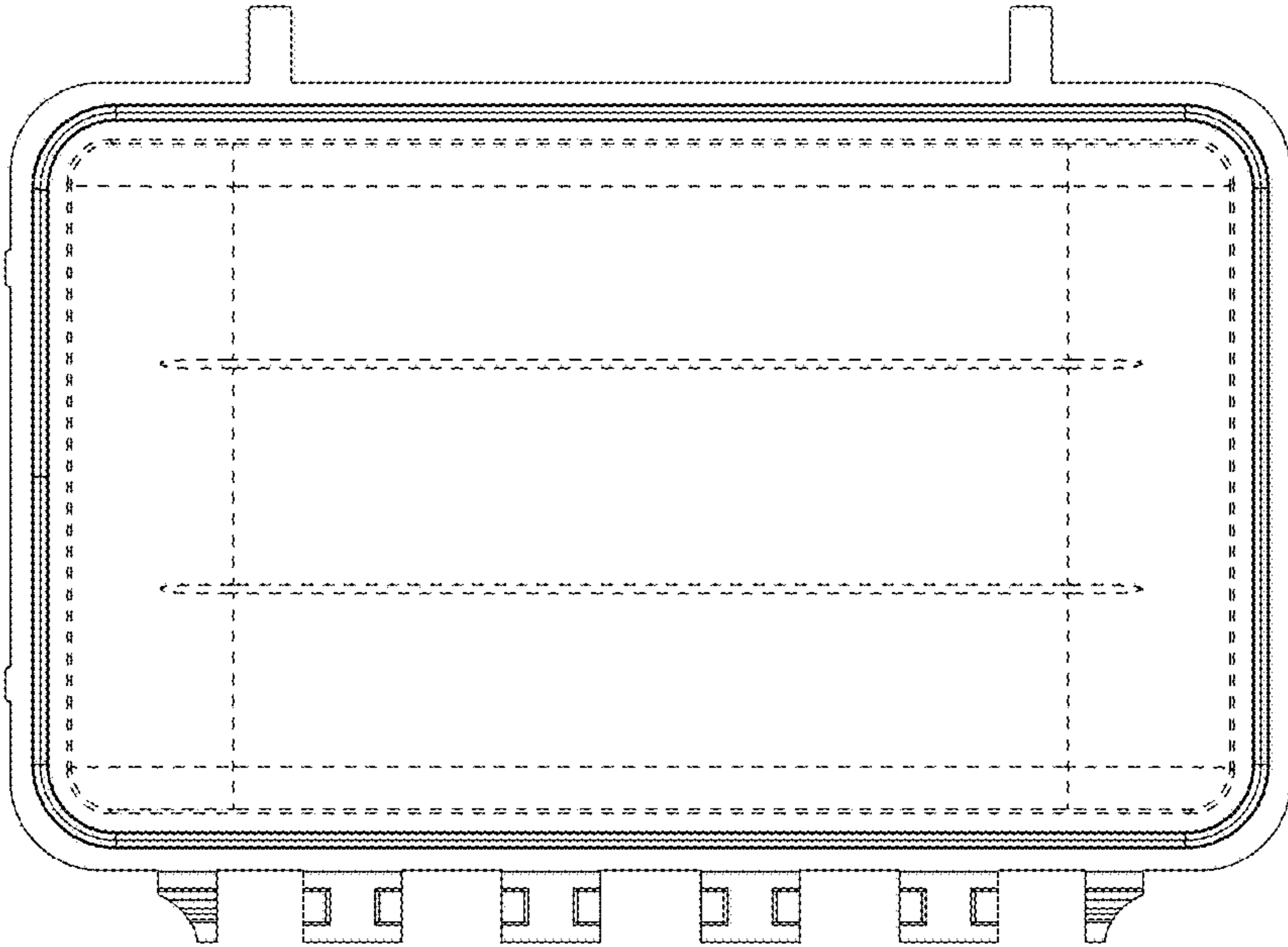


FIG. 2

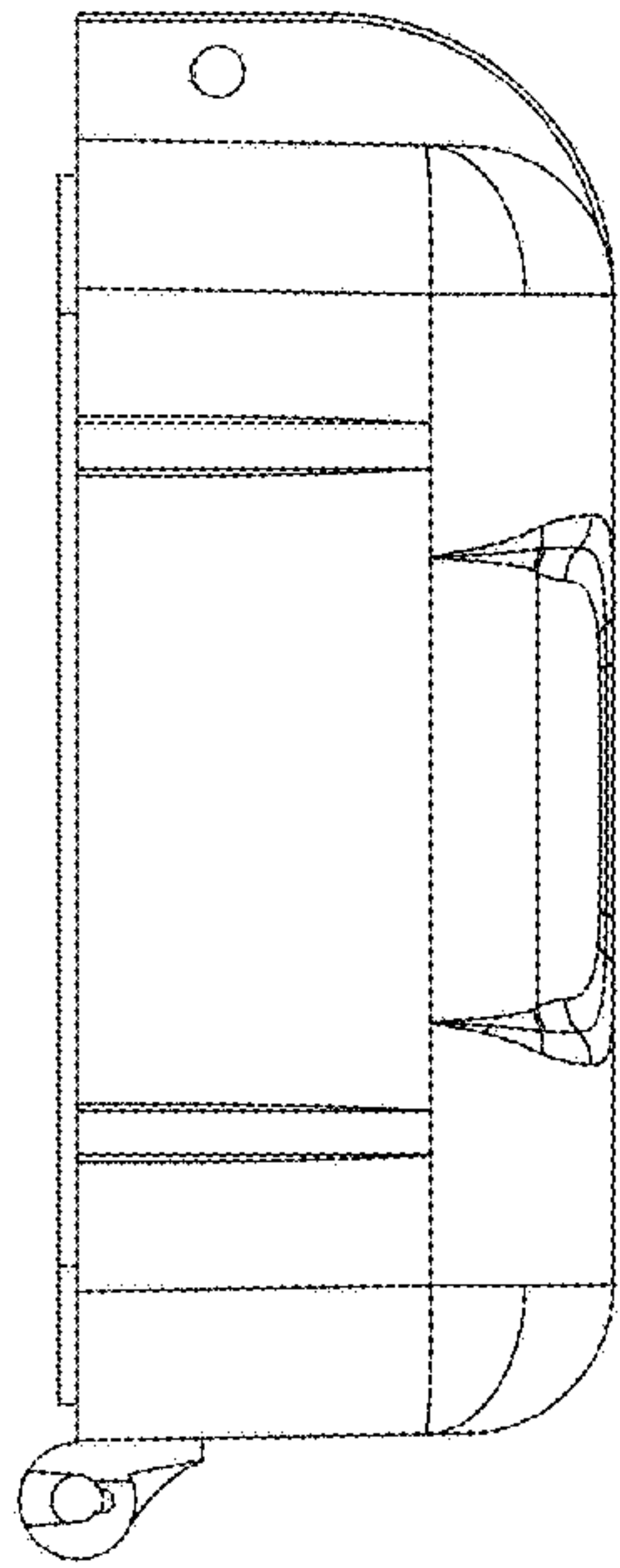


FIG. 3

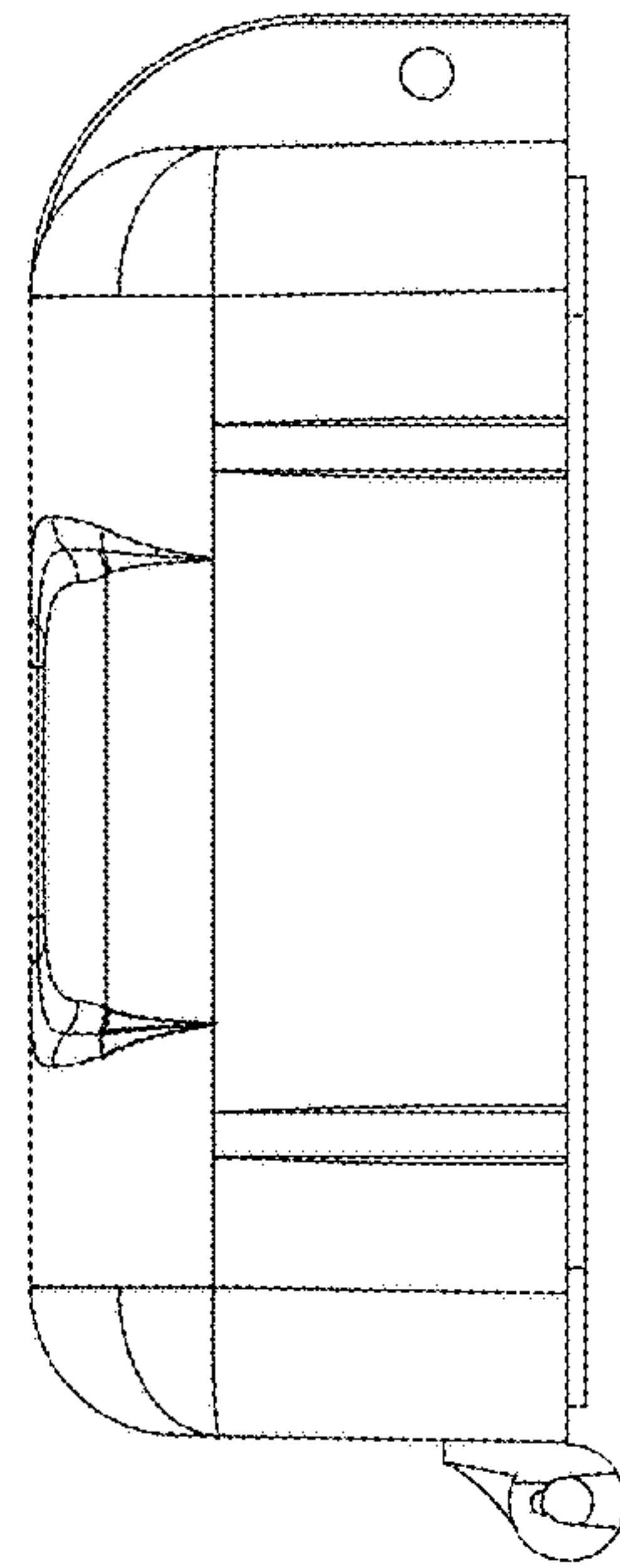


FIG. 4

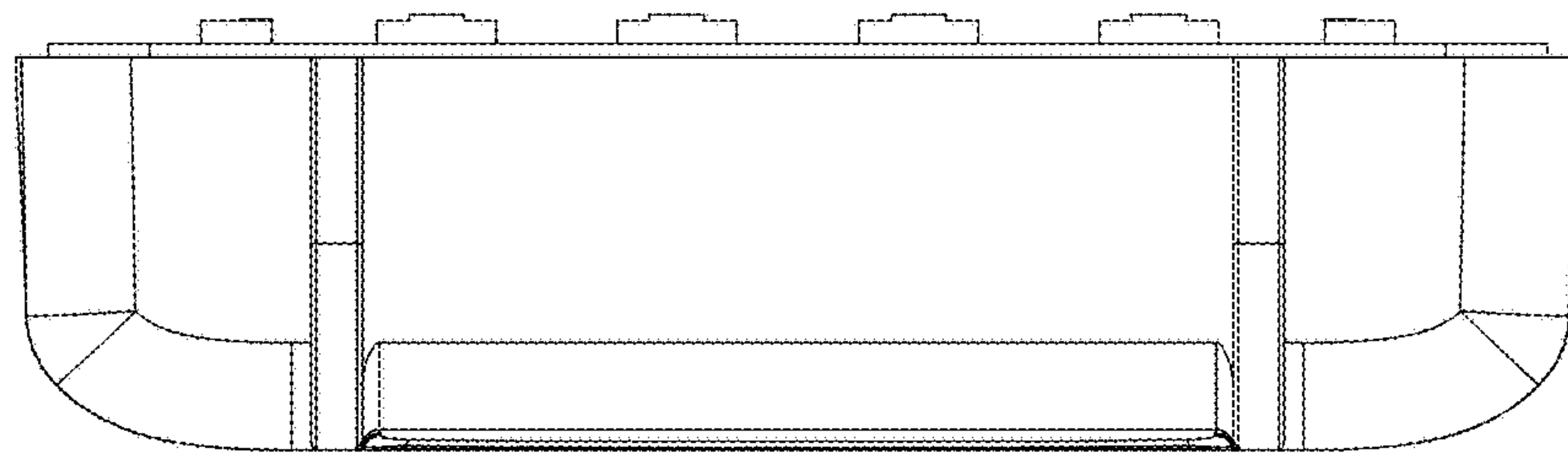


FIG. 5

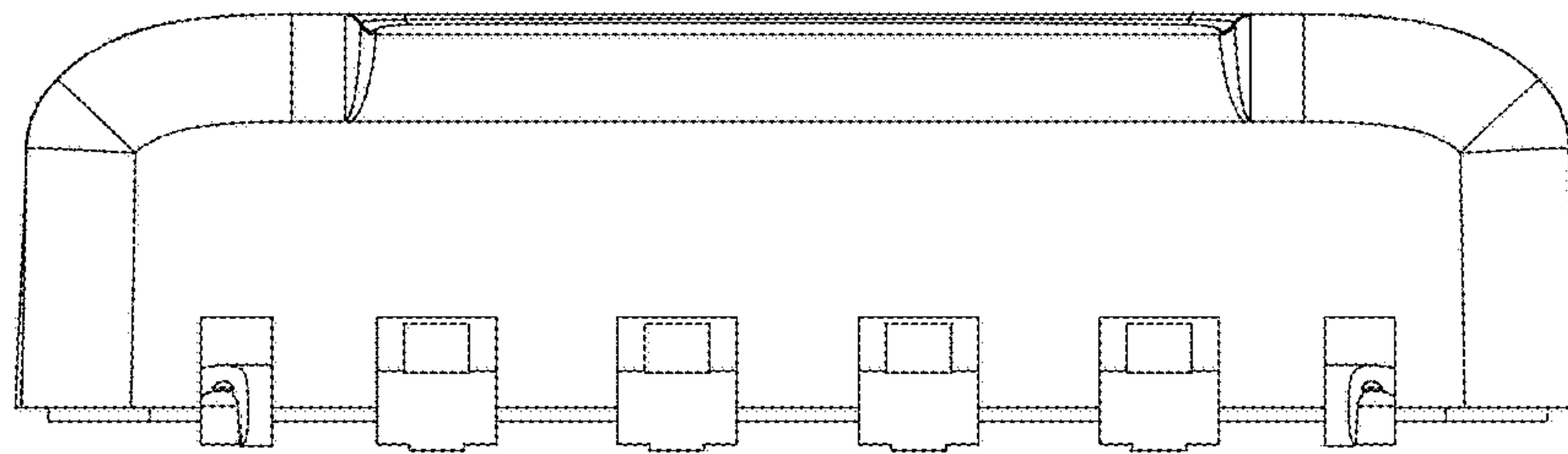


FIG. 6

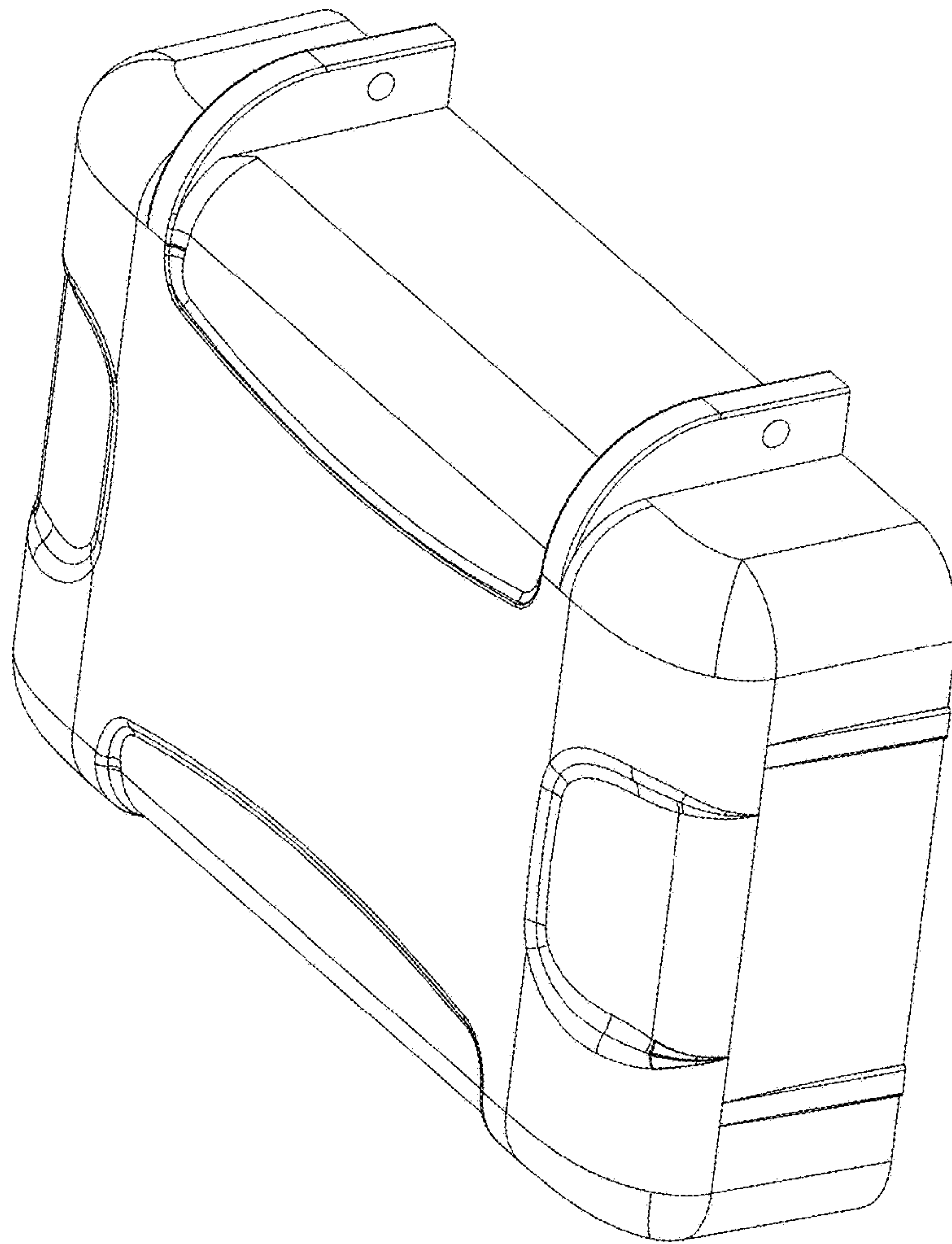


FIG. 7