



US00D827304S

(12) **United States Design Patent**
Tao

(10) **Patent No.:** **US D827,304 S**

(45) **Date of Patent:** **** Sep. 4, 2018**

(54) **LUGGAGE HANDLE**

(71) Applicant: **Linguang Tao**, Shanghai (CN)

(72) Inventor: **Linguang Tao**, Shanghai (CN)

(**) Term: **15 Years**

(21) Appl. No.: **29/605,657**

(22) Filed: **May 29, 2017**

(51) **LOC (11) Cl.** **03-01**

(52) **U.S. Cl.**
USPC **D3/318**

(58) **Field of Classification Search**
USPC D3/318
CPC A45C 11/18; A45C 11/182
See application file for complete search history.

(56) **References Cited**

U.S. PATENT DOCUMENTS

D472,713 S *	4/2003	Lee	D3/318
D489,531 S *	5/2004	Oh	D3/318
D663,526 S *	7/2012	Wu	A45C 13/262 D3/318

D674,192 S *	1/2013	Li	D3/318
D777,441 S *	1/2017	Li	D3/318
D778,053 S *	2/2017	Li	D3/318

* cited by examiner

Primary Examiner — Holly H Baynham

(74) *Attorney, Agent, or Firm* — Che-Yang Chen; Law Offices of Scott Warmuth

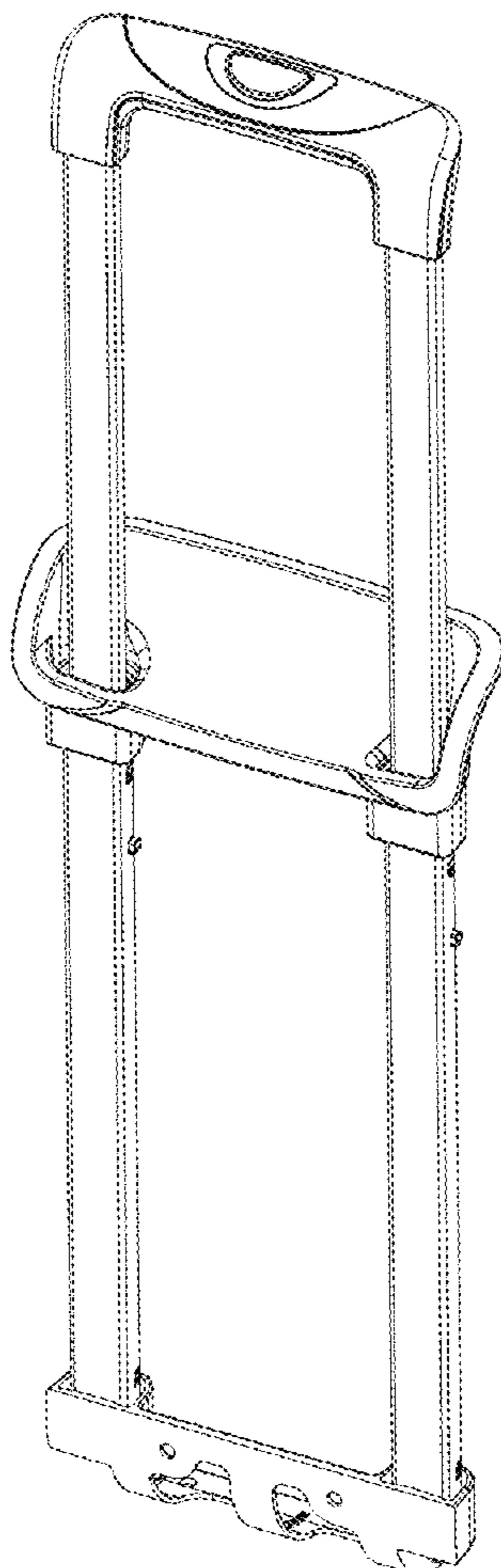
(57) **CLAIM**

The ornamental design for a luggage handle, as shown and described.

DESCRIPTION

FIG. 1 is a perspective view of a luggage handle showing my new design;
FIG. 2 is a front elevational view thereof;
FIG. 3 is a rear elevational view thereof;
FIG. 4 is a left side elevational view thereof;
FIG. 5 is a right side elevational view thereof;
FIG. 6 is an enlarged top plan view thereof; and,
FIG. 7 is a bottom plan view thereof.

1 Claim, 5 Drawing Sheets



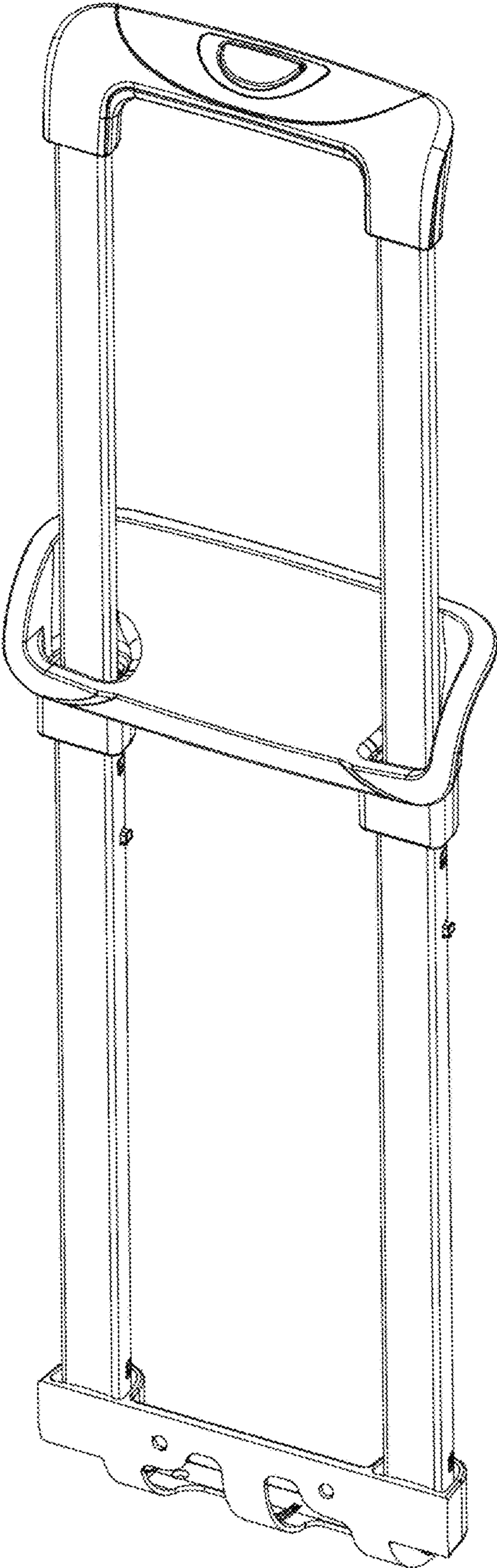


FIG. 1

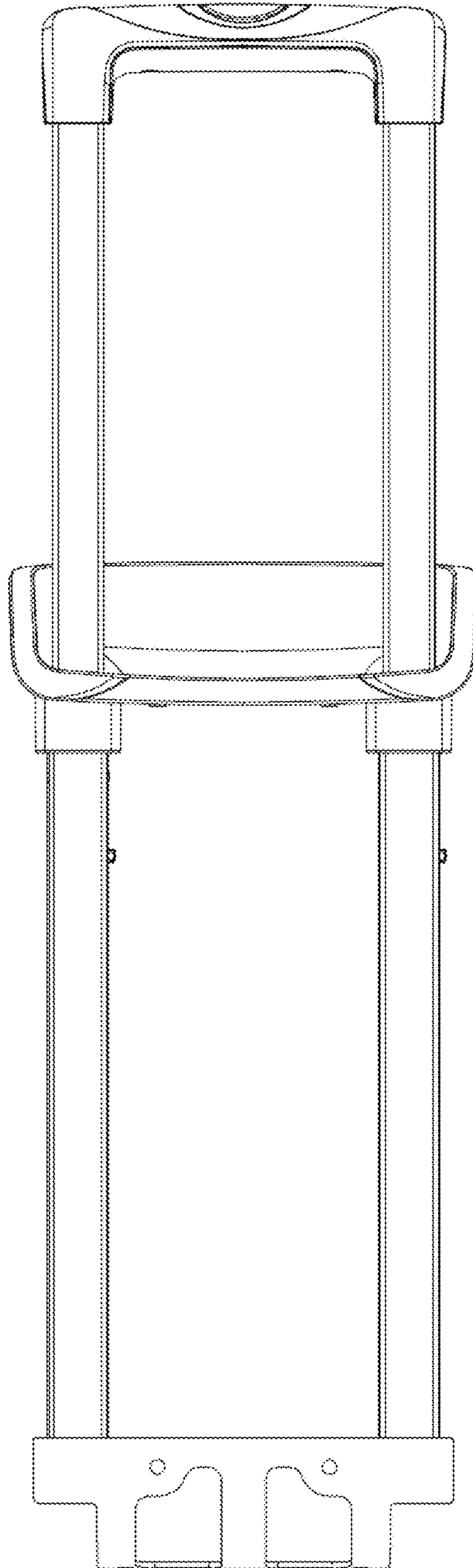


FIG. 2

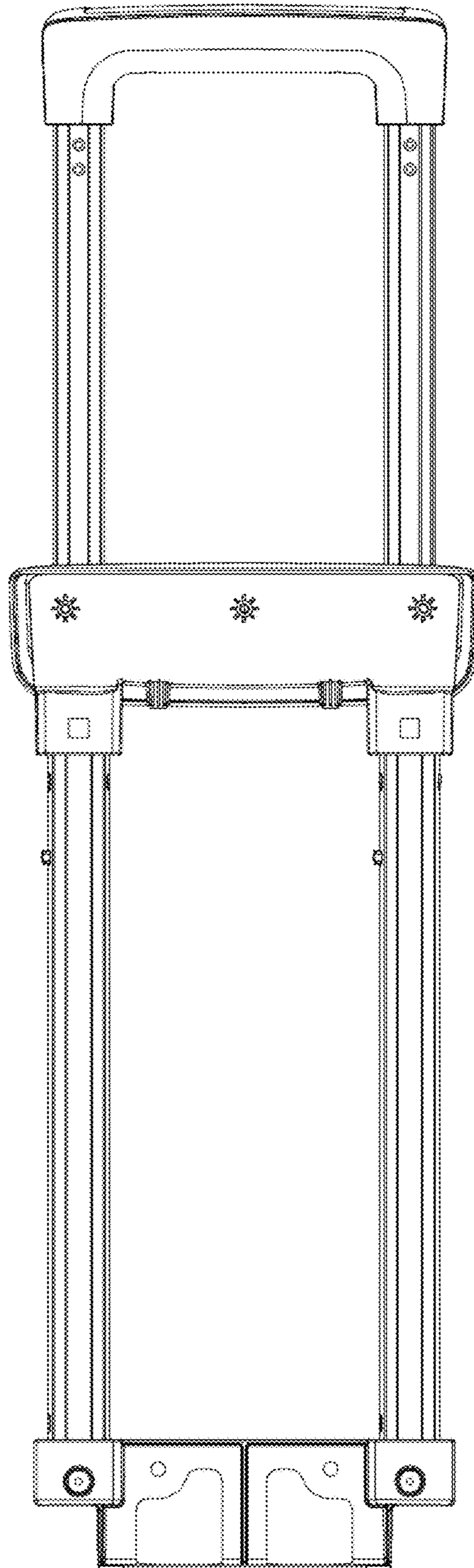


FIG. 3

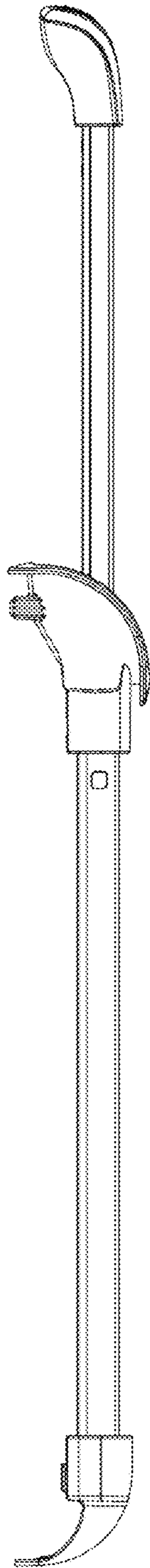


FIG. 4

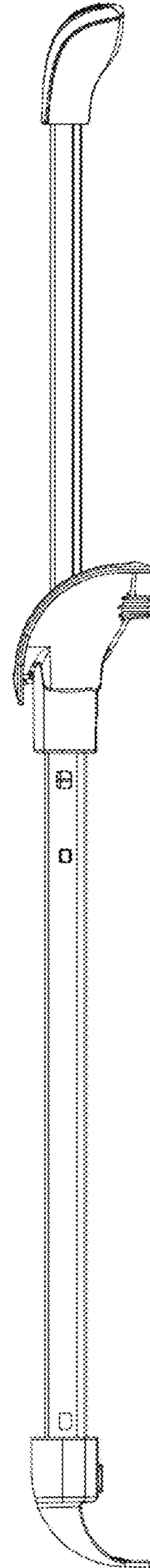


FIG. 5

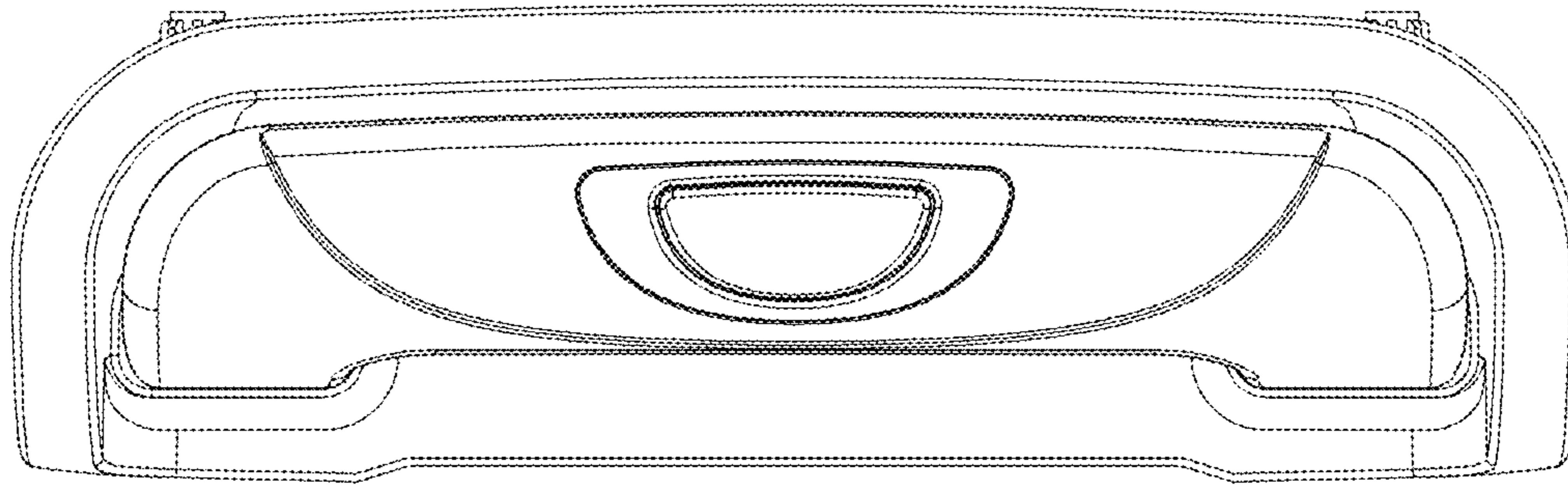


FIG. 6

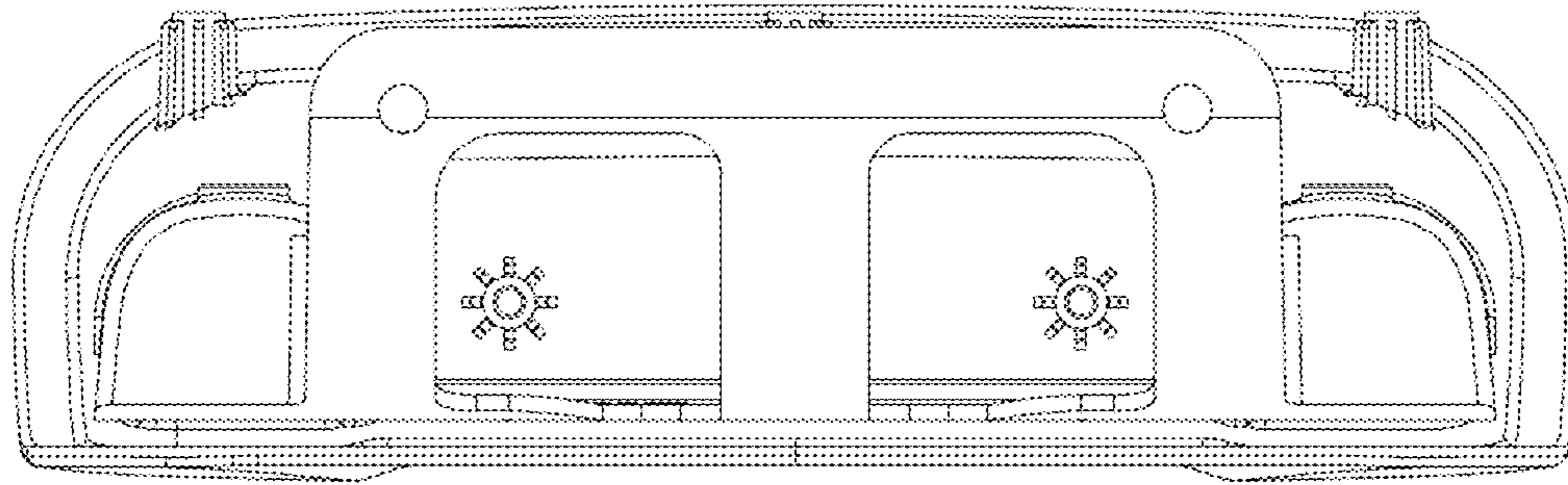


FIG. 7