



US00D827301S

(12) **United States Design Patent** (10) **Patent No.:** **US D827,301 S**
Cavazos, III (45) **Date of Patent:** **** Sep. 4, 2018**

(54) **DRYWALL KNIFE CASE**

(71) Applicant: **Conrado G. Cavazos, III**, San Antonio, TX (US)

(72) Inventor: **Conrado G. Cavazos, III**, San Antonio, TX (US)

(**) Term: **15 Years**

(21) Appl. No.: **29/629,289**

(22) Filed: **Dec. 12, 2017**

(51) **LOC (11) Cl.** **03-01**

(52) **U.S. Cl.**
USPC **D3/269**

(58) **Field of Classification Search**
USPC D3/269, 272-273, 276, 281-282, 284, D3/292, 294, 905, 201; D8/71; D6/407, D6/626, 632

(Continued)

(56) **References Cited**

U.S. PATENT DOCUMENTS

4,303,188 A 12/1981 Calabrese
5,398,809 A 3/1995 Henke et al.

(Continued)

OTHER PUBLICATIONS

Core Gear, Wet Brush Storage, Jul. 26, 2016 via Internet ArchiveWayback Machine, available at <https://web.archive.org/web/20130726103947/http://core-gear.com/paint-it/cg-paint-accessories/wet-brush.html>.

Primary Examiner — Catherine R Oliver-Garcia
(74) *Attorney, Agent, or Firm* — Volk & McElroy, LLP; Michael D. Volk, Jr.

(57) **CLAIM**

The ornamental design for a drywall knife case, as shown and described.

DESCRIPTION

FIG. 1 is a rear perspective view of a drywall knife case showing my new design.

FIG. 2 is an enlarged view of a corner portion of my design of FIG. 1.

FIG. 3 is a front perspective view of my design of FIG. 1. FIG. 4 is a top view thereof, the bottom view is the same as the top view.

FIG. 5 is a front view thereof.

FIG. 6 is a rear view thereof.

FIG. 7 is a right side view thereof, the left side view is the mirror image of the right side view.

FIG. 8 is a front perspective view of my design of FIG. 1 shown in an open configuration.

FIG. 9 is rear perspective view of the configuration of FIG. 8.

FIG. 10 is an enlarged view of a corner portion of my design of FIG. 8 and FIG. 9.

FIG. 11 is a right side view of the configuration of FIG. 8, the left side view is the mirror image of the right side view.

FIG. 12 is a top view of the configuration of FIG. 8.

FIG. 13 is a bottom view of the configuration of FIG. 8.

FIG. 14 is a front view of the configuration of FIG. 8.

FIG. 15 is a rear view of the configuration of FIG. 8.

FIG. 16 is a rear and top perspective view of a second embodiment of my drywall knife case design.

FIG. 17 is an enlarged view of a corner portion of my design of FIG. 16.

FIG. 18 is a front and bottom perspective view of my design of FIG. 16.

FIG. 19 is a top view of my design of FIG. 16, the bottom view is the mirror image of the top view.

FIG. 20 is a front view of my design of FIG. 16.

FIG. 21 is a rear view of my design of FIG. 16.

FIG. 22 is a right side view of my design of FIG. 16.

FIG. 23 is a left side view of my design of FIG. 16.

FIG. 24 is a rear perspective view of my design of FIG. 16 shown in an open configuration.

FIG. 25 is a top view of the configuration shown in FIG. 24.

FIG. 26 is a bottom view of the configuration of FIG. 24.

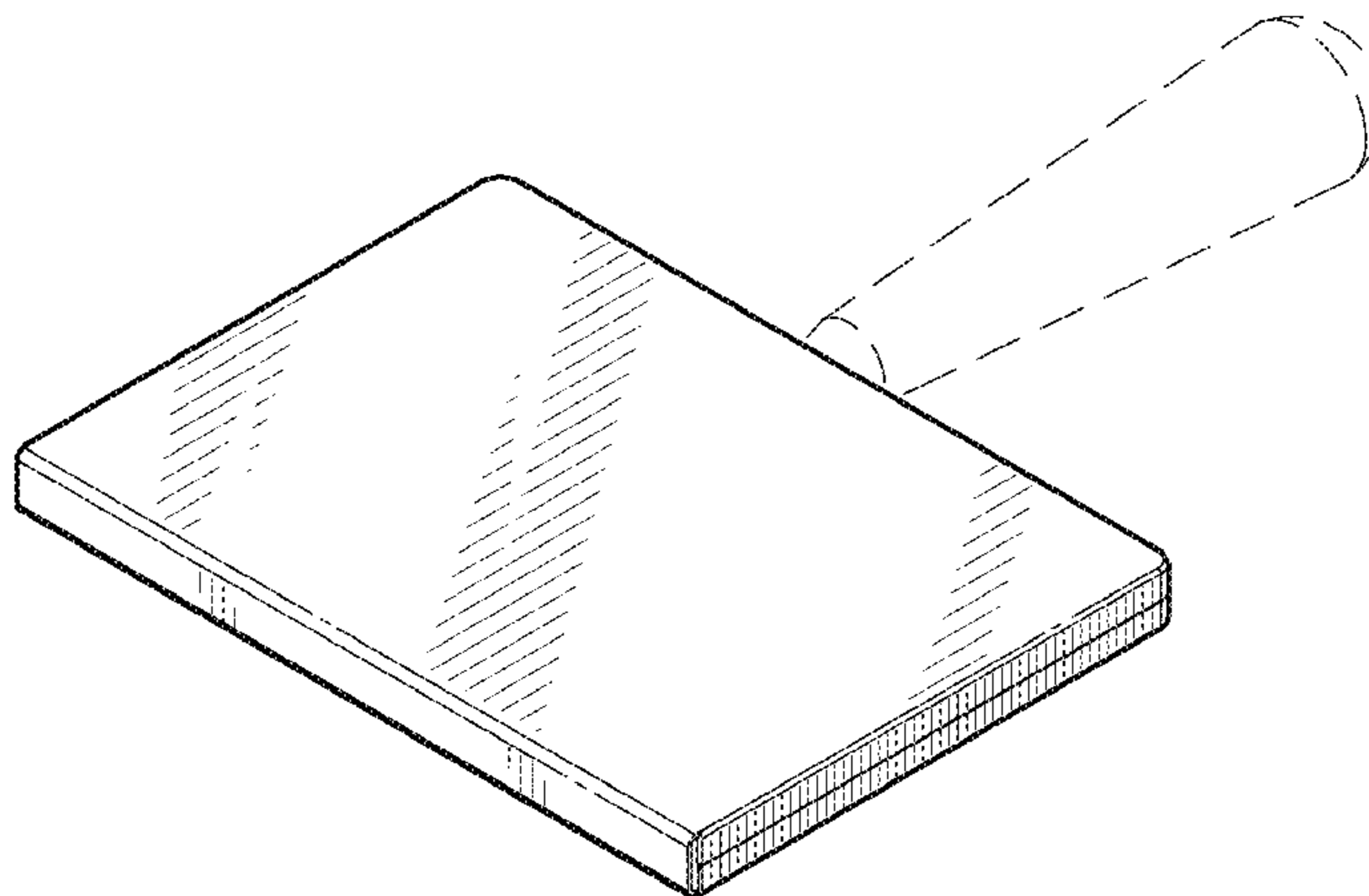
FIG. 27 is a front view of the configuration of FIG. 24.

FIG. 28 is a rear view of the configuration of FIG. 24.

FIG. 29 is a right side view of the configuration of FIG. 24; and,

FIG. 30 is a left side view of the configuration of FIG. 24.

(Continued)



The claimed drywall knife case is used to protect and cover a drywall knife, which is also referred to as a putty knife, a taping knife, or a joint knife.

The broken lines in the drawings depict features that form no part of the claimed design.

1 Claim, 19 Drawing Sheets

(58) Field of Classification Search

CPC A45C 11/00; B25H 3/00; B25H 3/003;
B25H 3/06; B65D 25/04

See application file for complete search history.

(56) References Cited

U.S. PATENT DOCUMENTS

D413,753	S	9/1999	Allsop
D473,714	S	4/2003	Cousin
D477,143	S	7/2003	Nagata et al.
D516,725	S	3/2006	Barnes
7,290,656	B1	11/2007	Crawford
D710,098	S	8/2014	Horowitz
8,857,630	B2	10/2014	Zirkle
D784,015	S	4/2017	Woodhouse et al.
D792,708	S	7/2017	Tazawa et al.
2005/0247587	A1	11/2005	Holland-Letz
2014/0014542	A1	1/2014	DePaola et al.

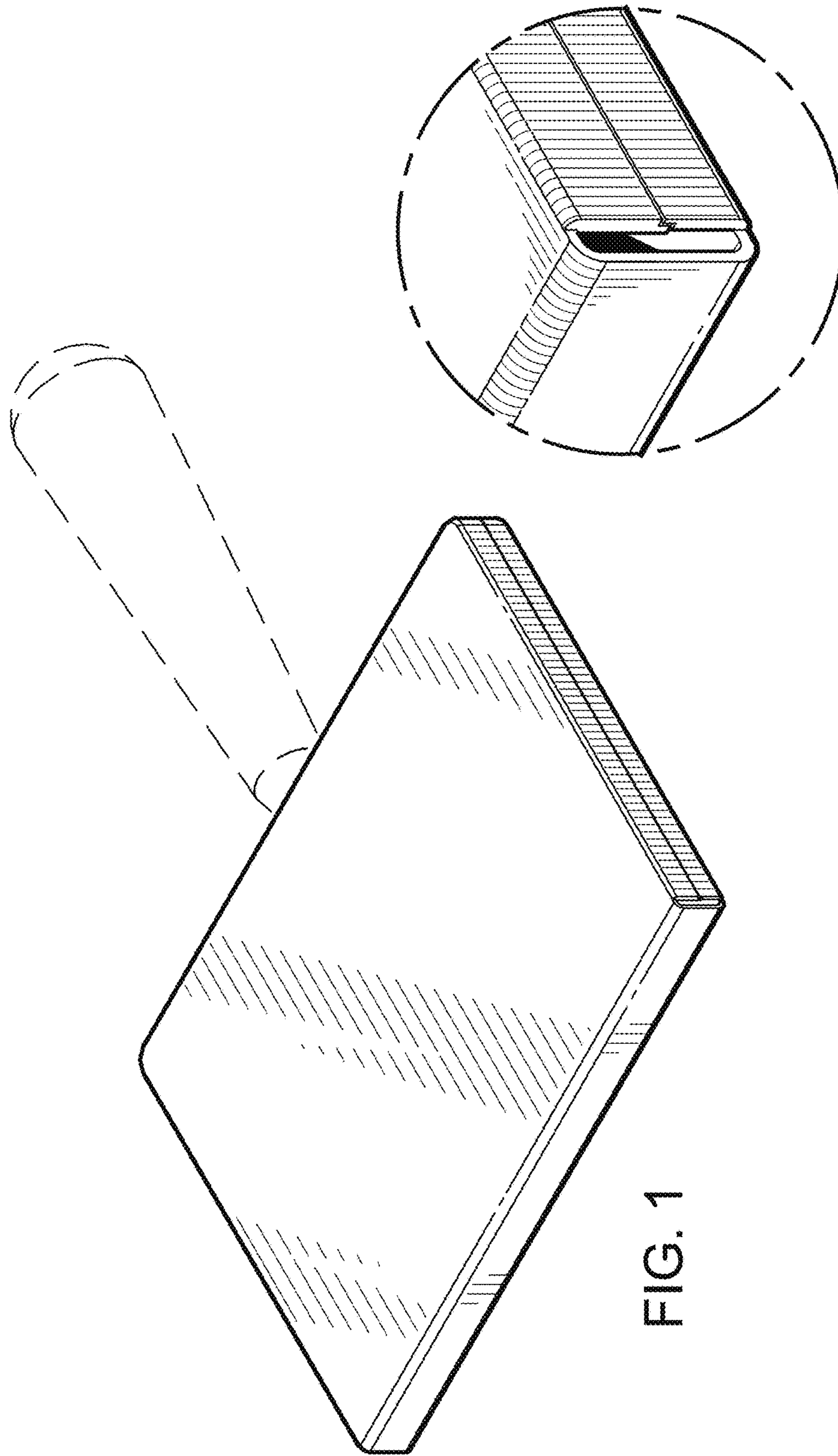


FIG. 1

FIG. 2

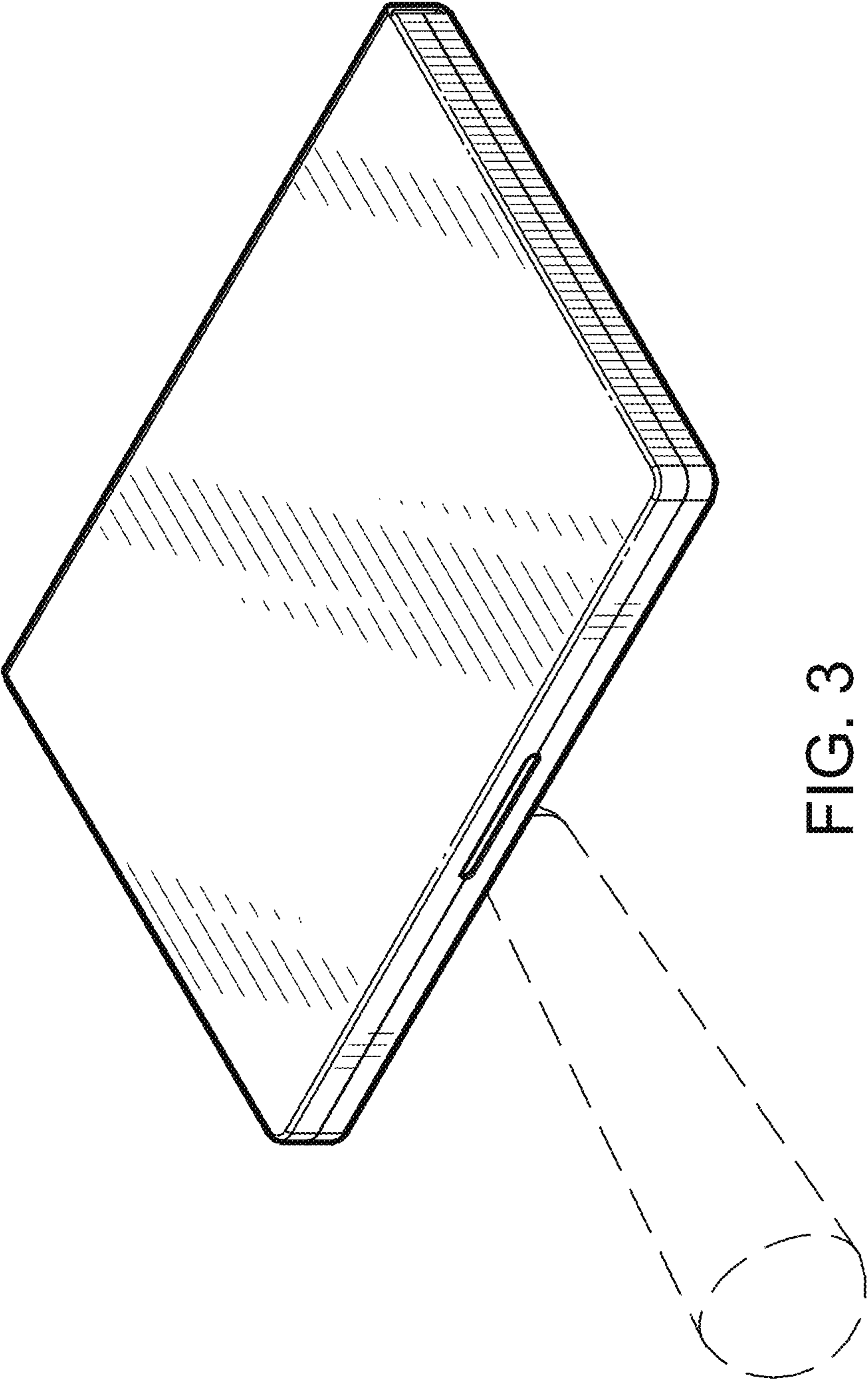
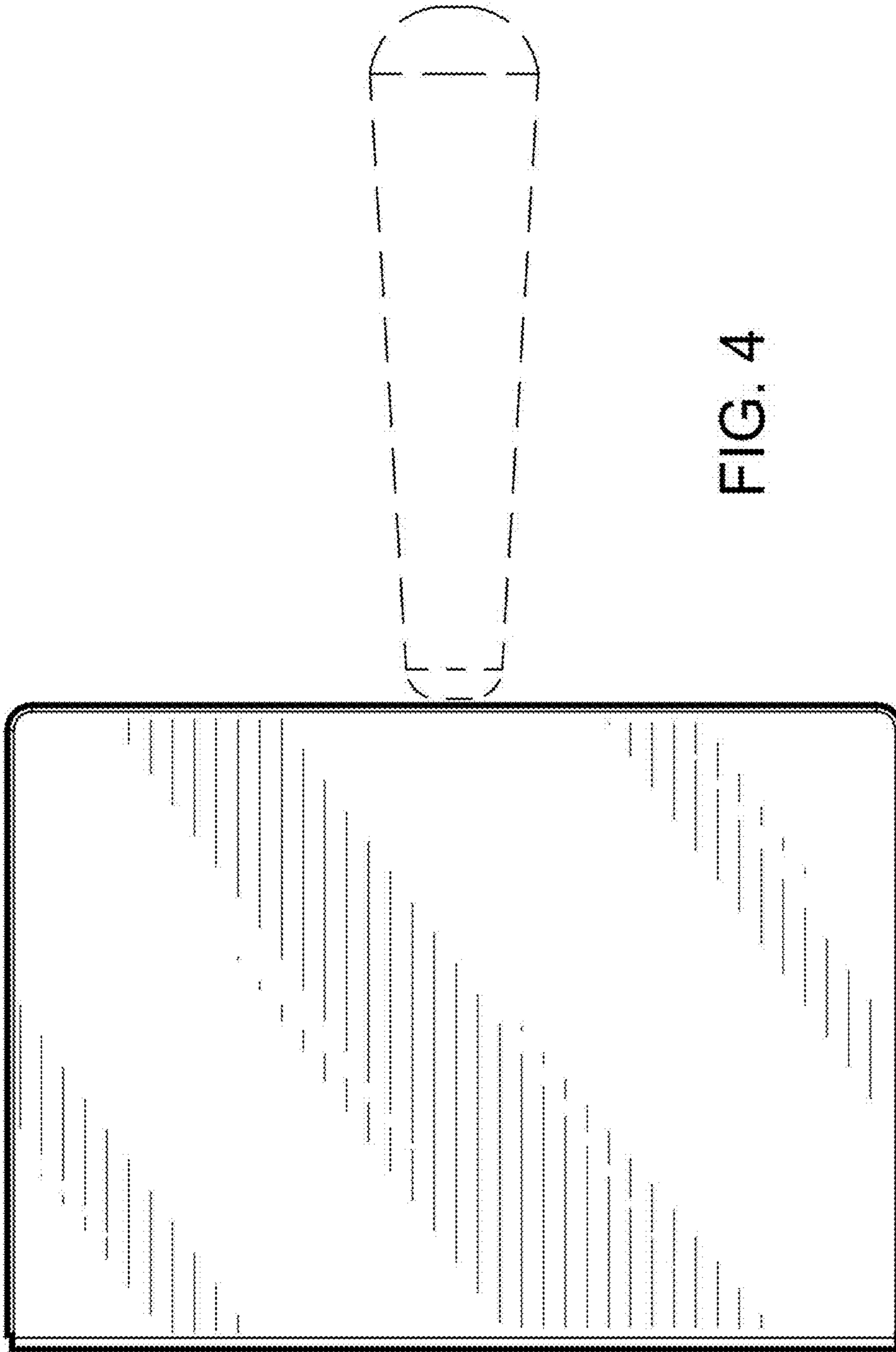


FIG. 3



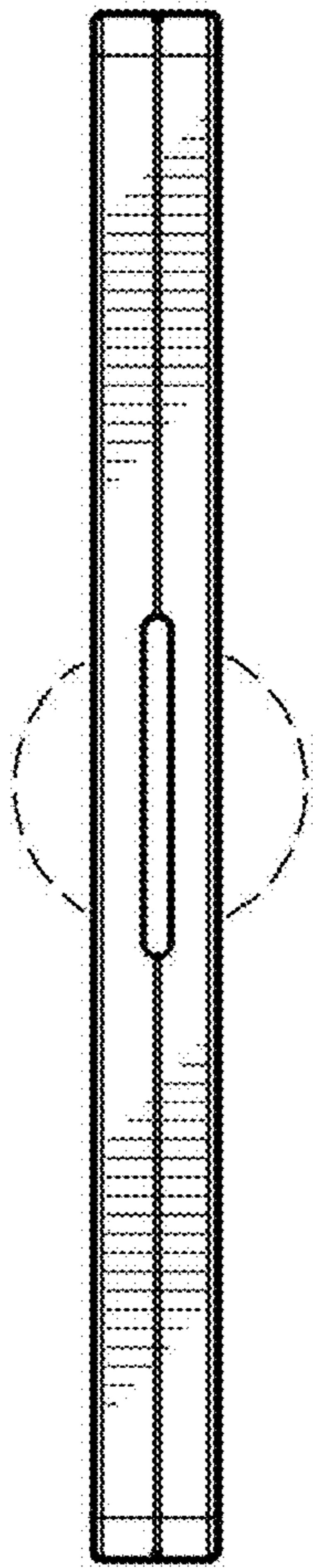


FIG. 5

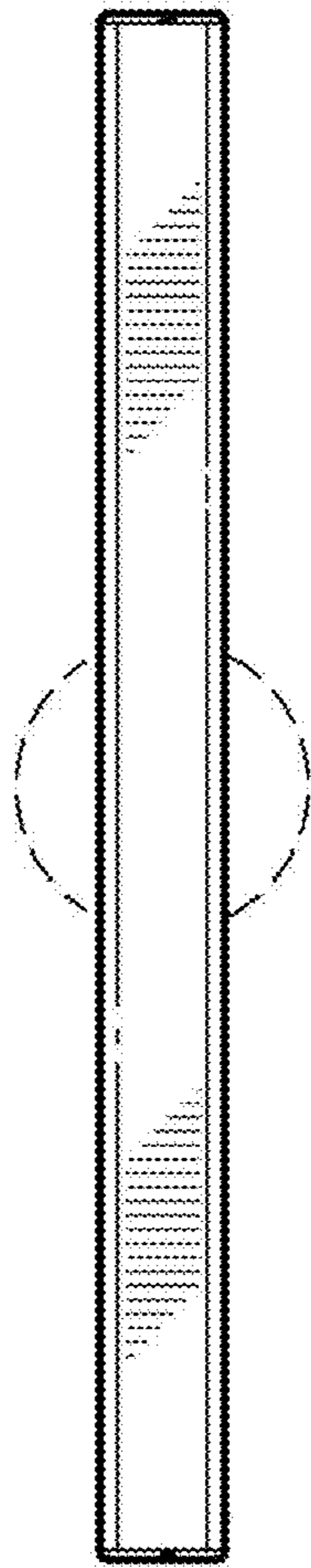


FIG. 6

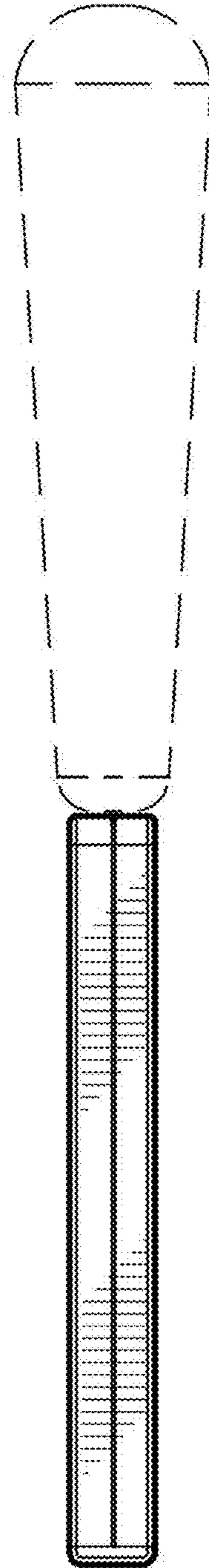


FIG. 7

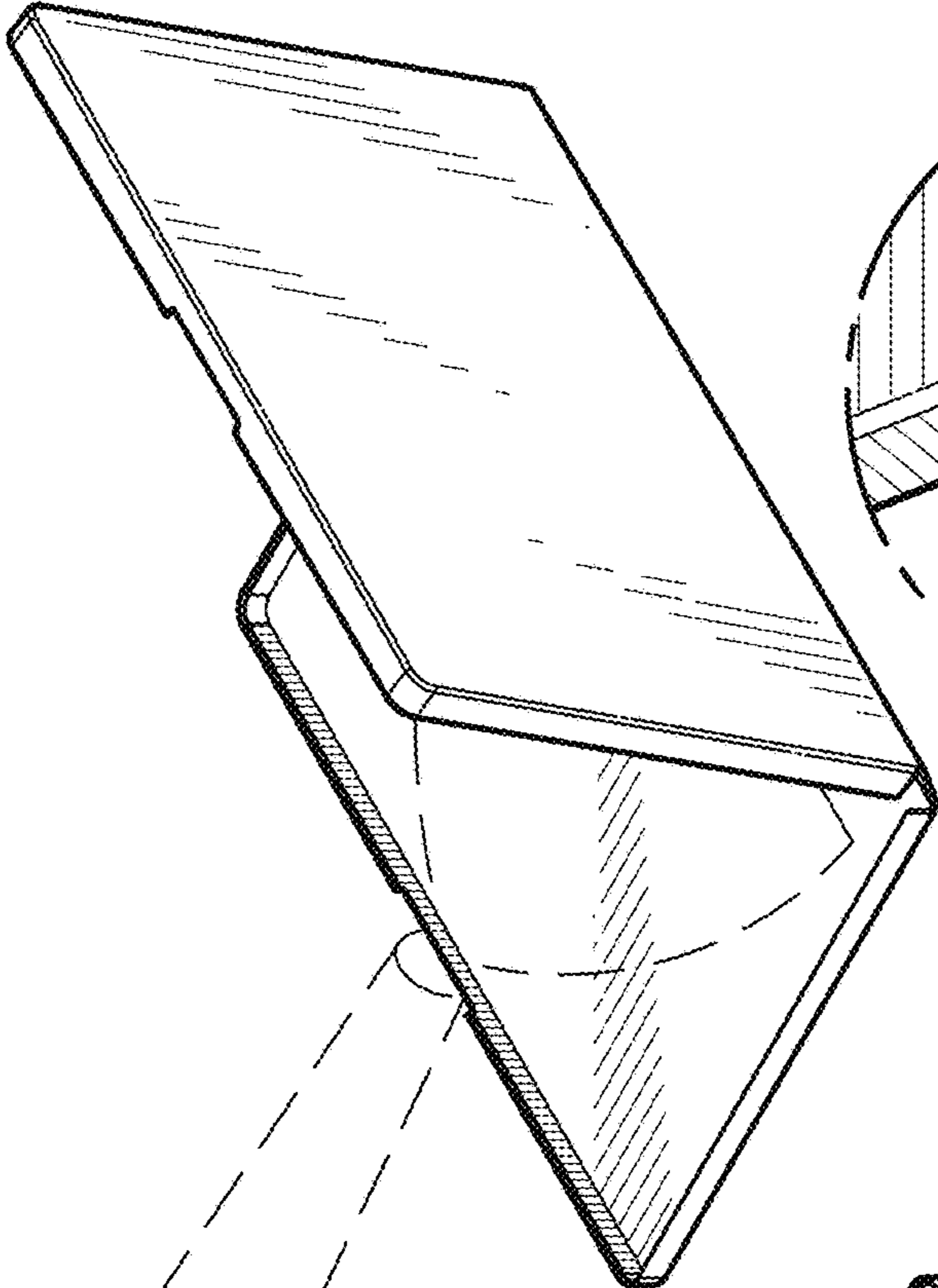


FIG. 9

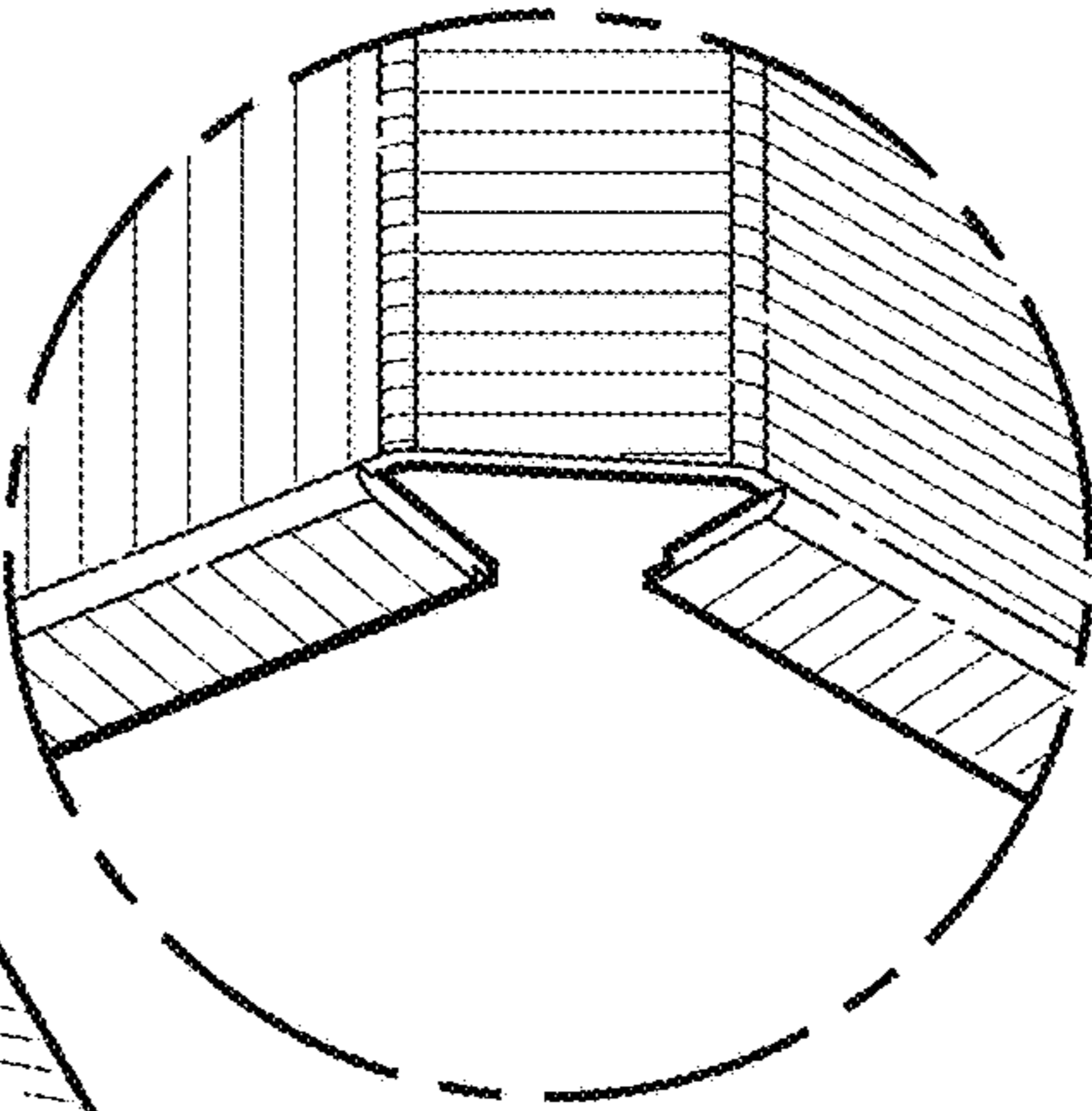


FIG. 10

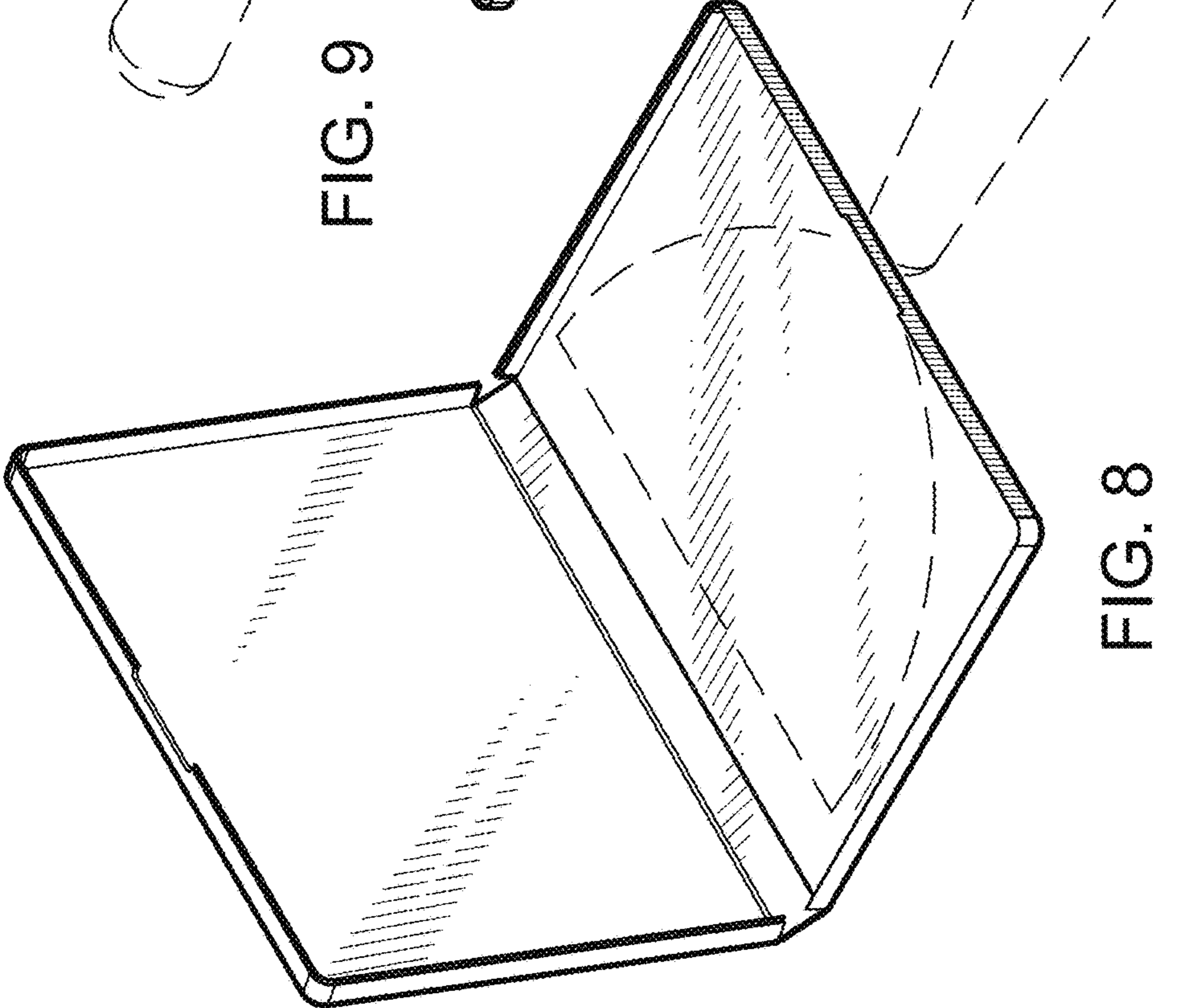


FIG. 8

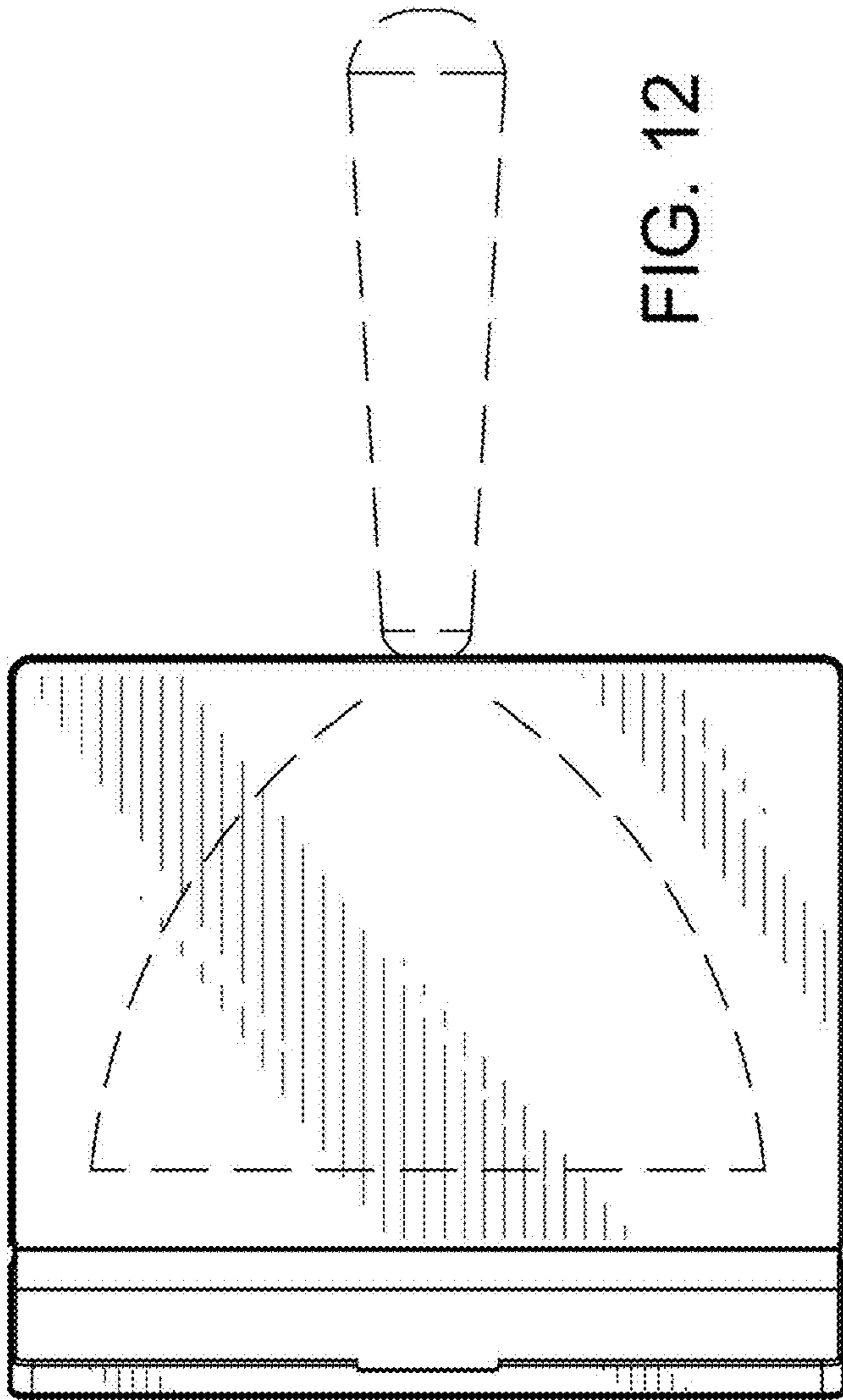


FIG. 12

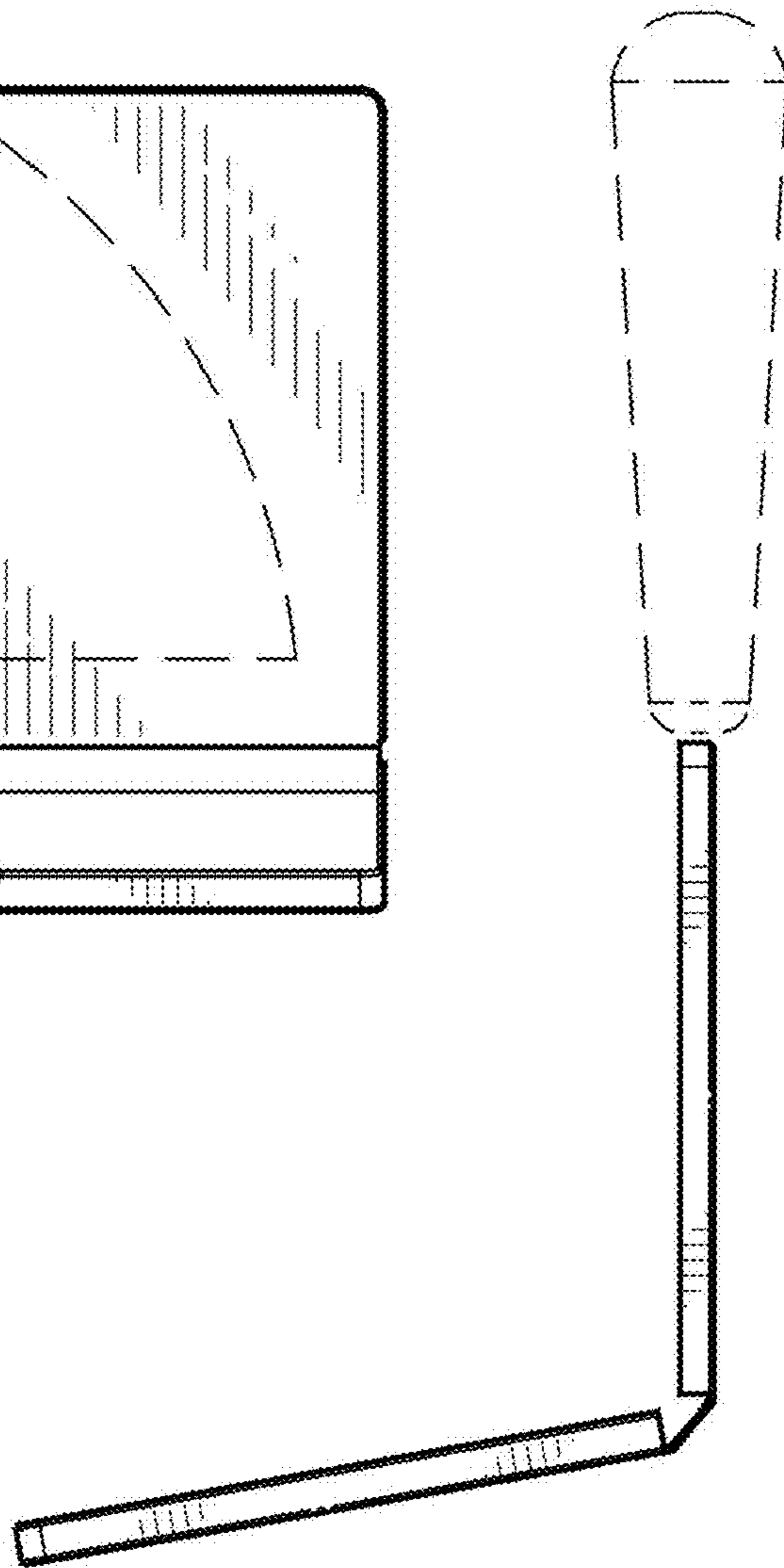


FIG. 11

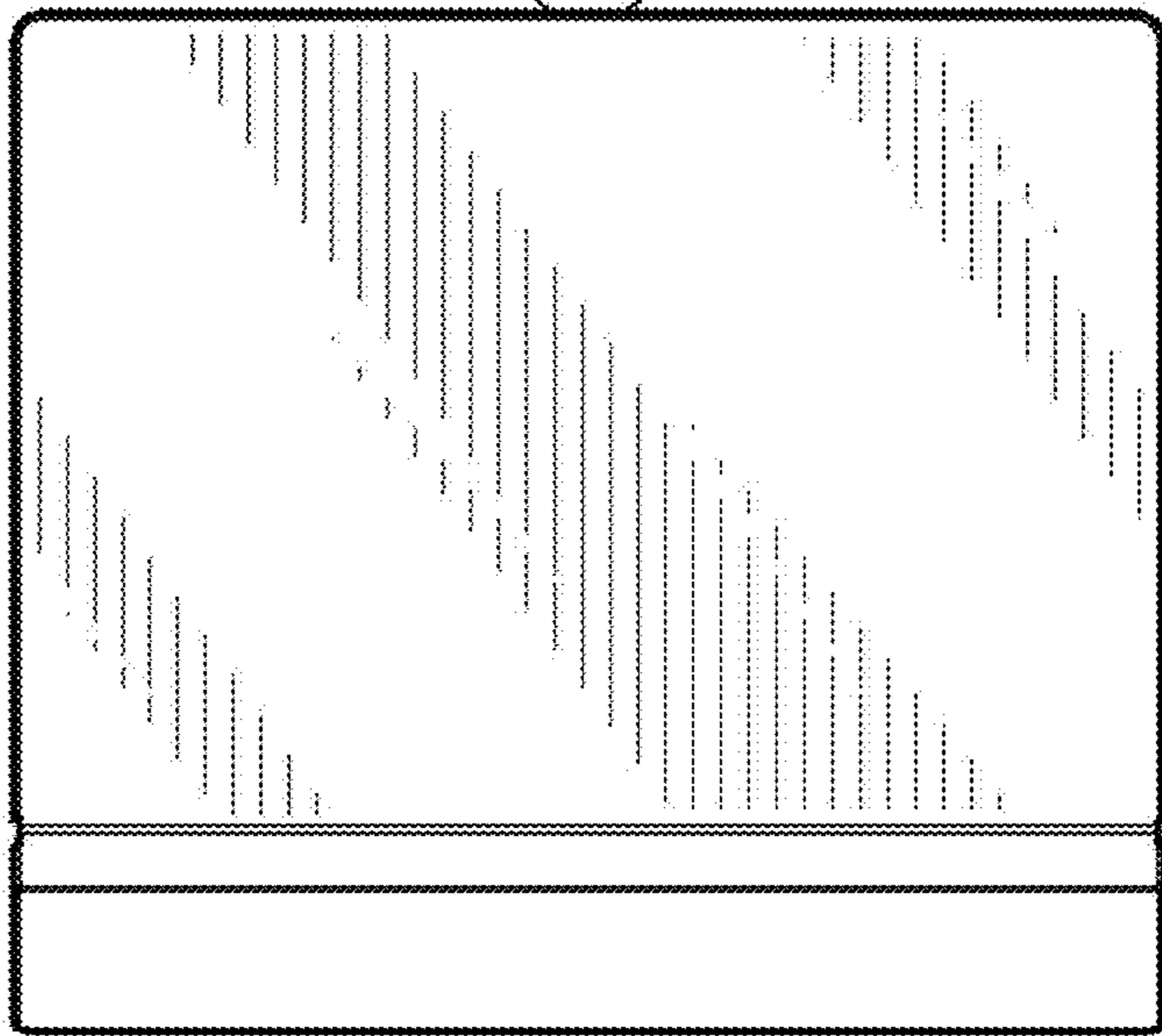


FIG. 13

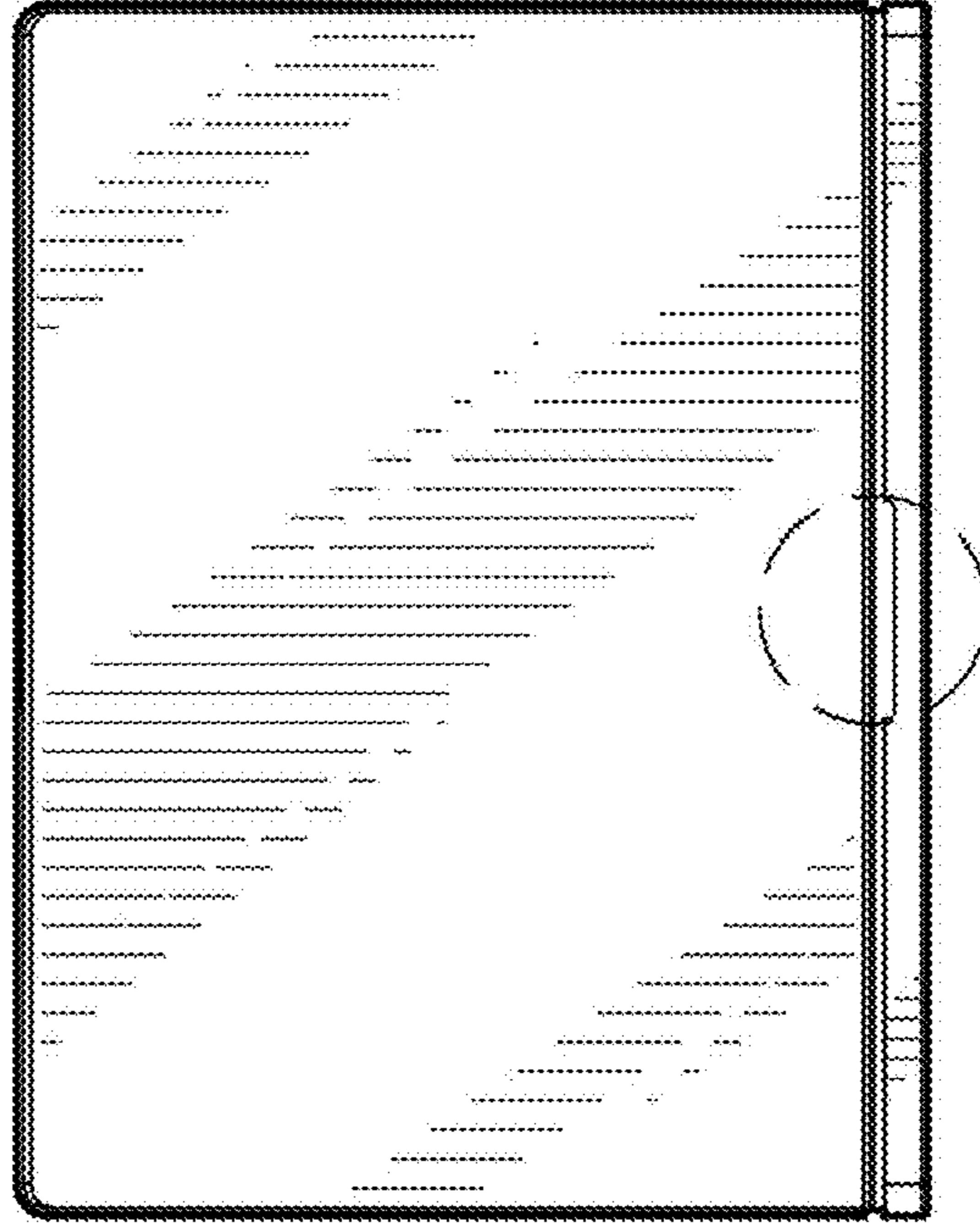
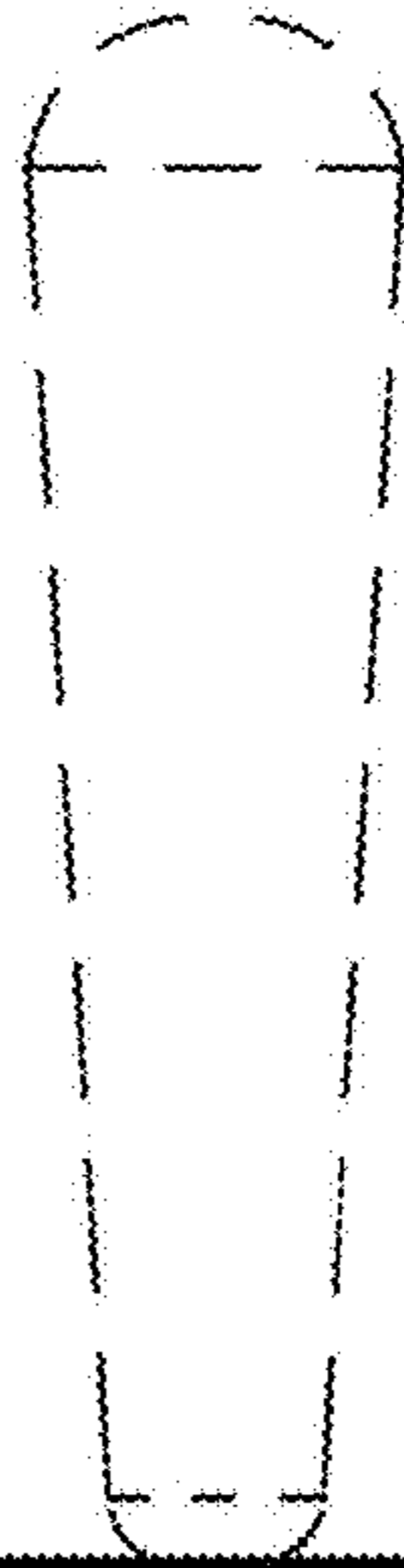


FIG. 14

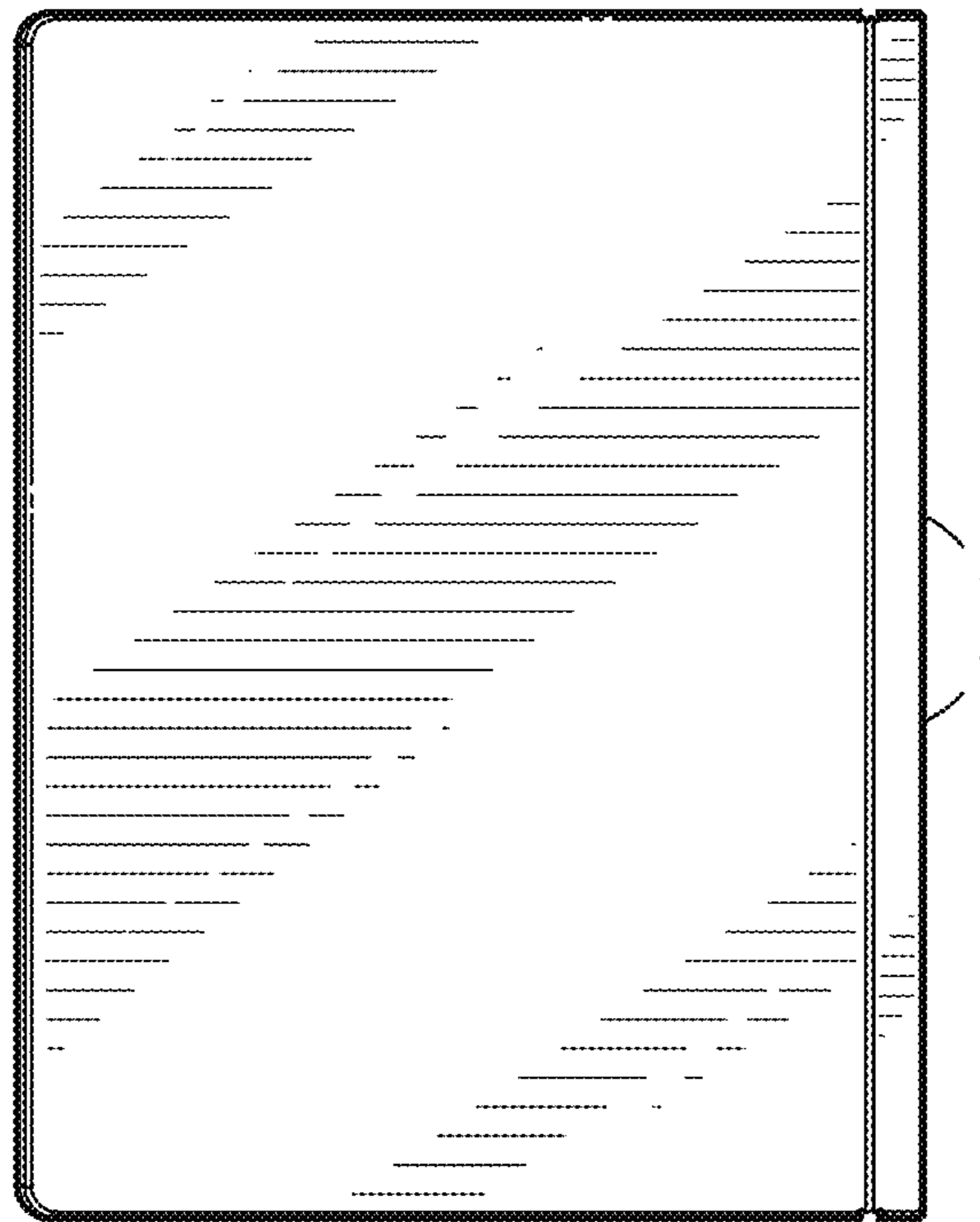


FIG. 15

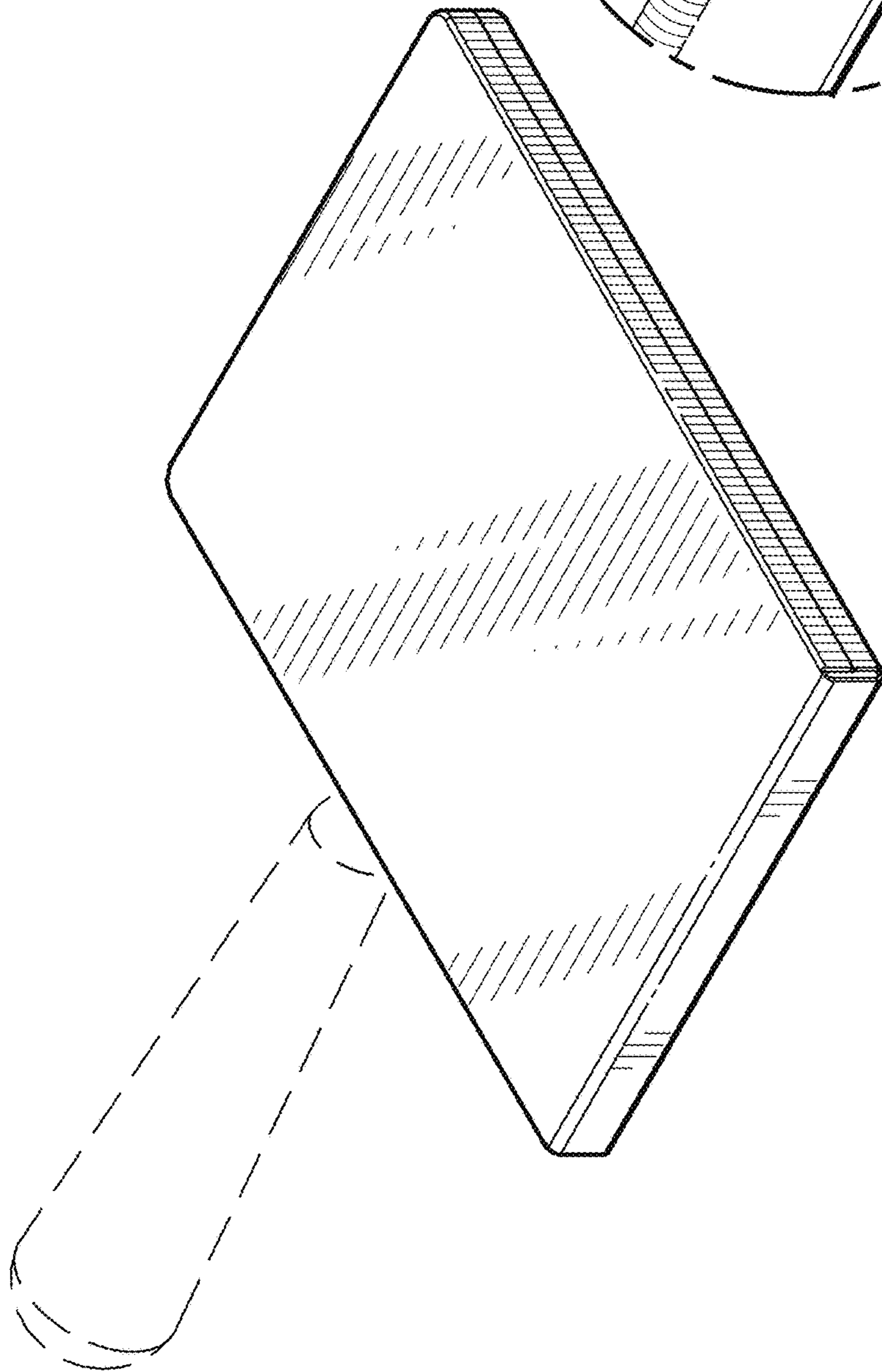


FIG. 16

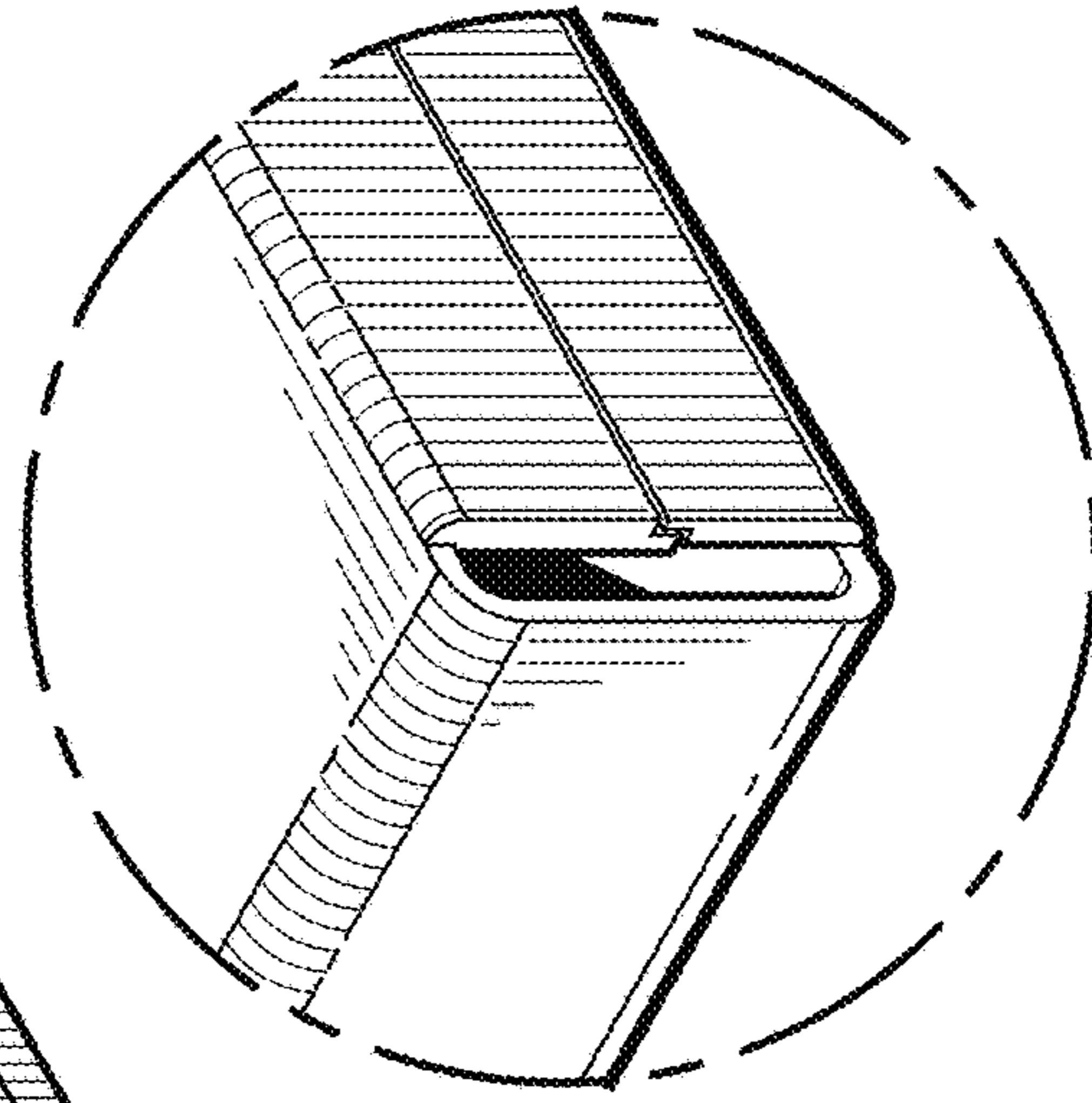


FIG. 17

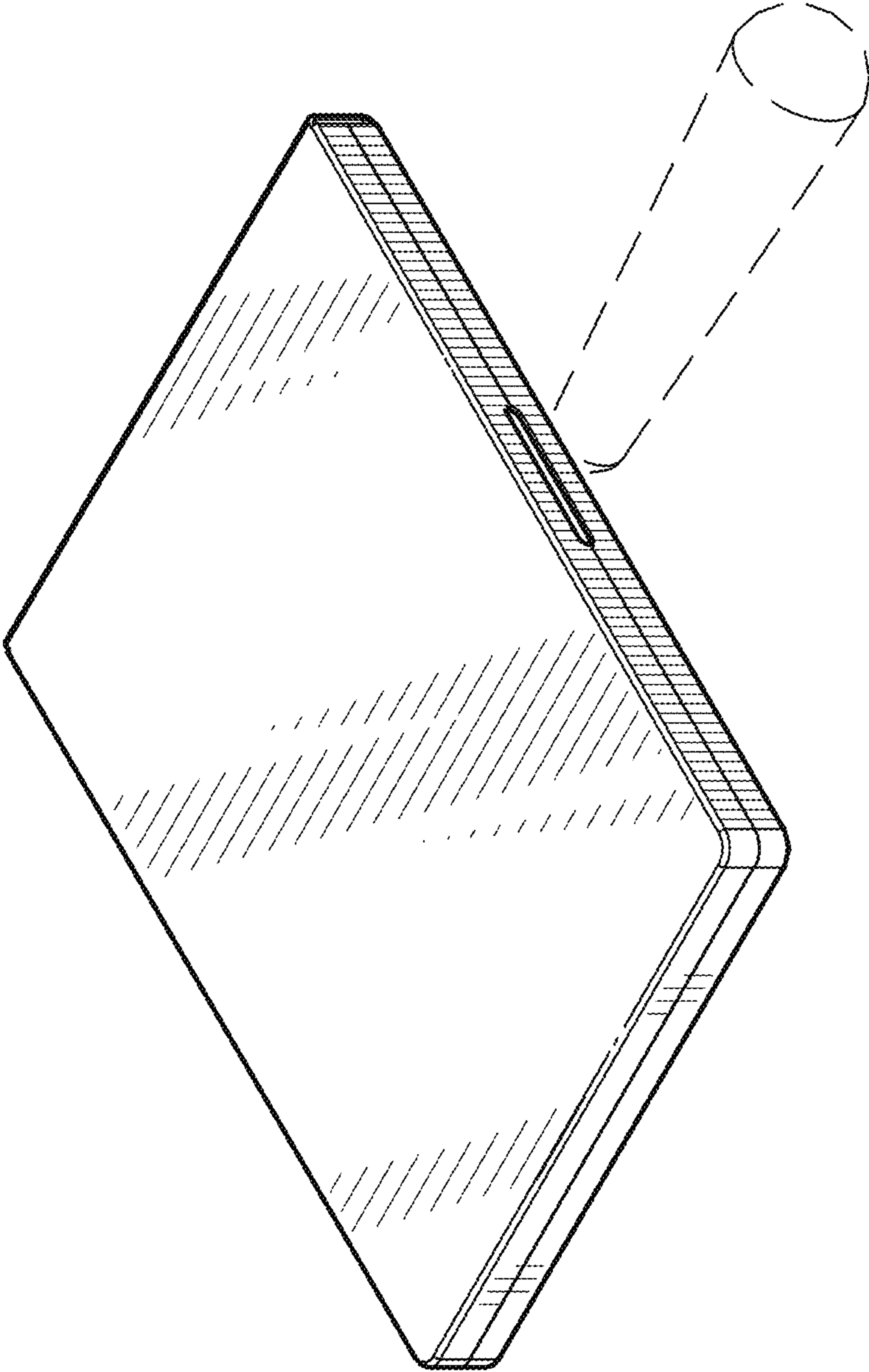


FIG. 18

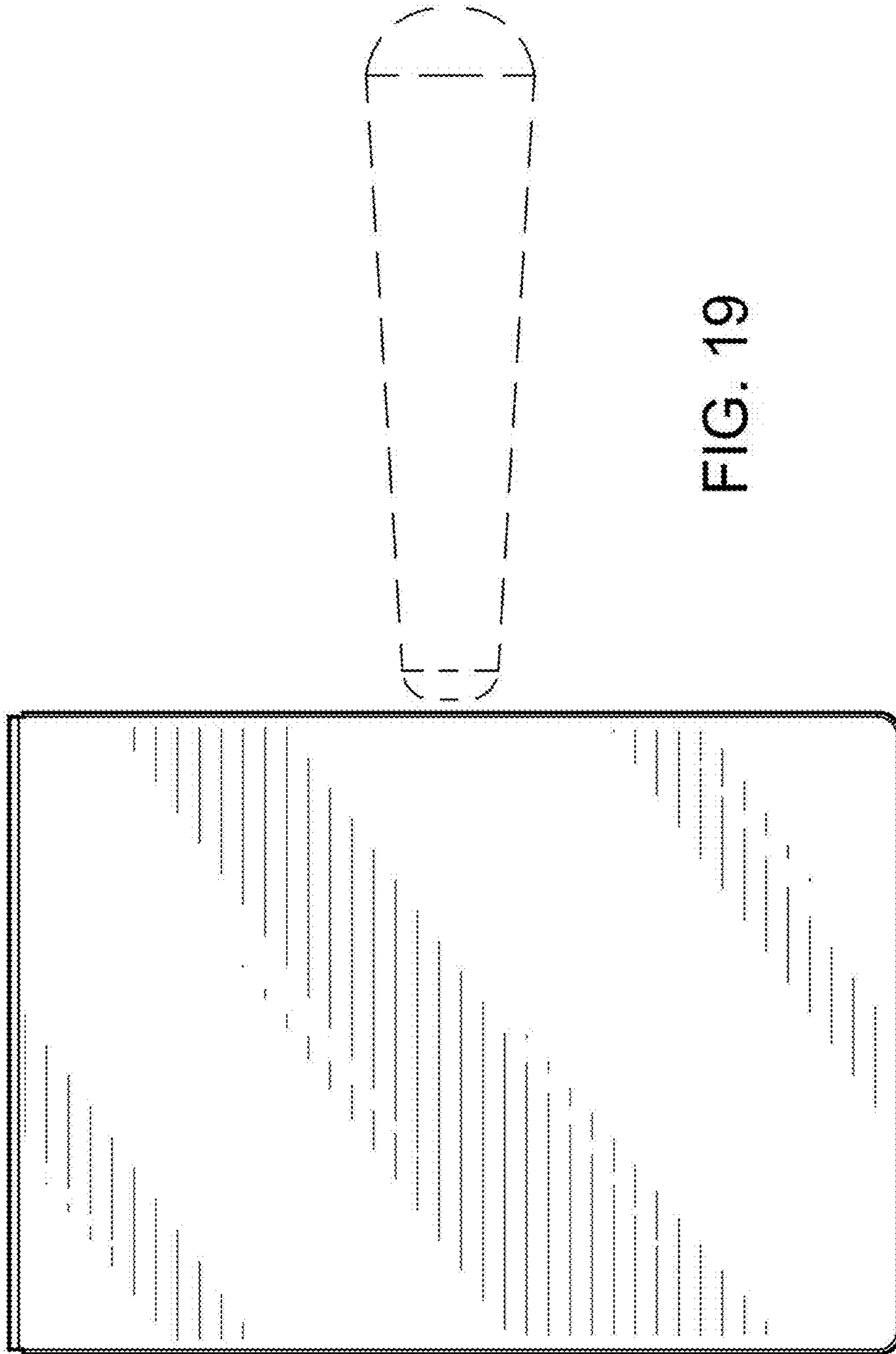


FIG. 19

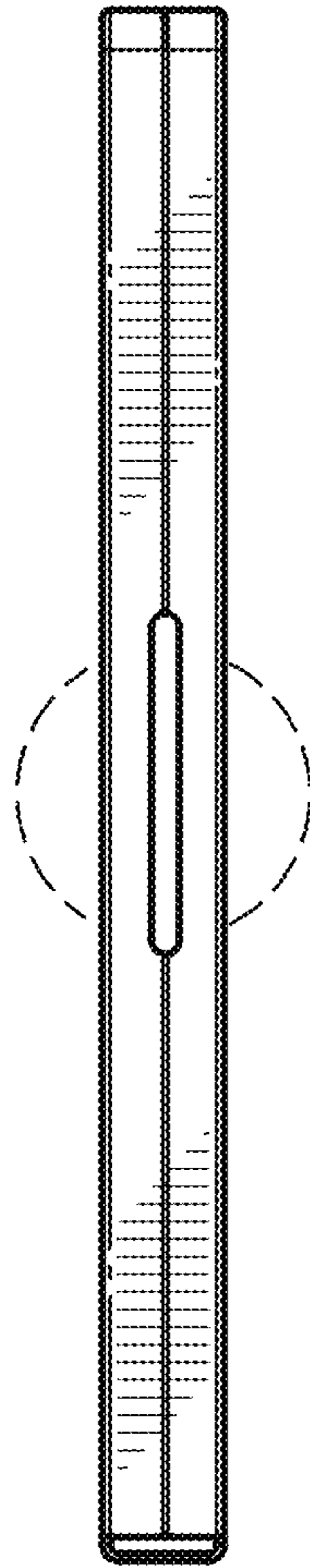


FIG. 20

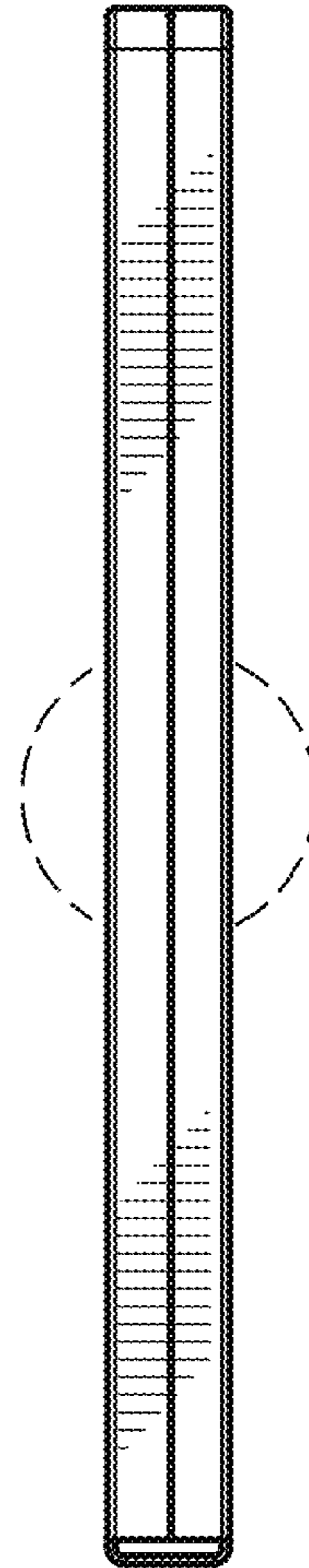


FIG. 21

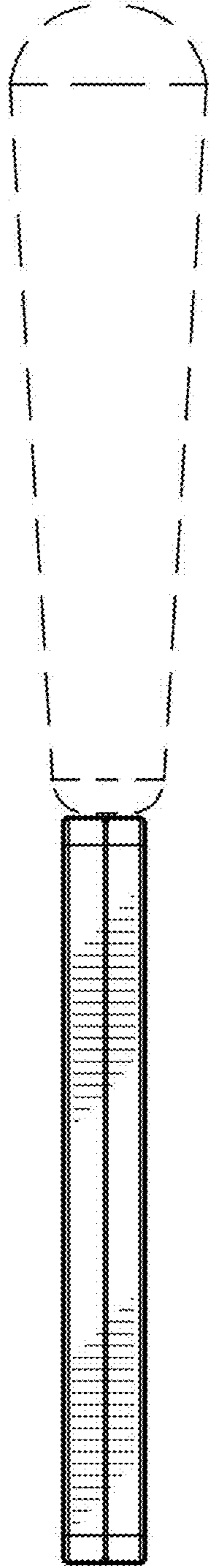


FIG. 22

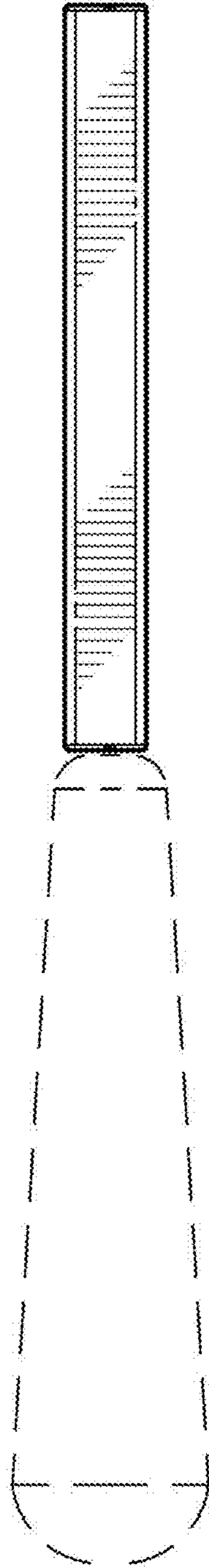
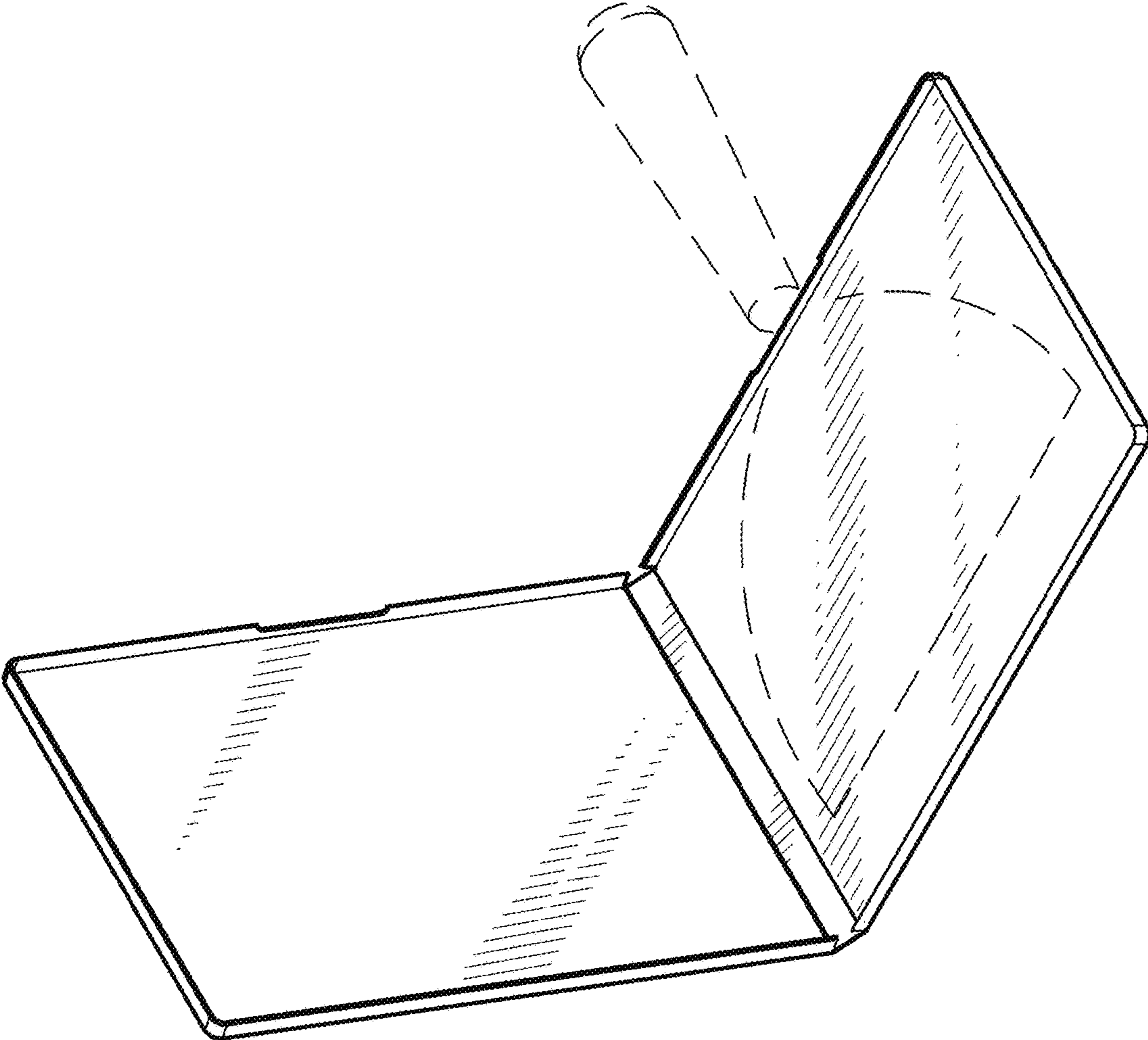


FIG. 23

FIG. 24



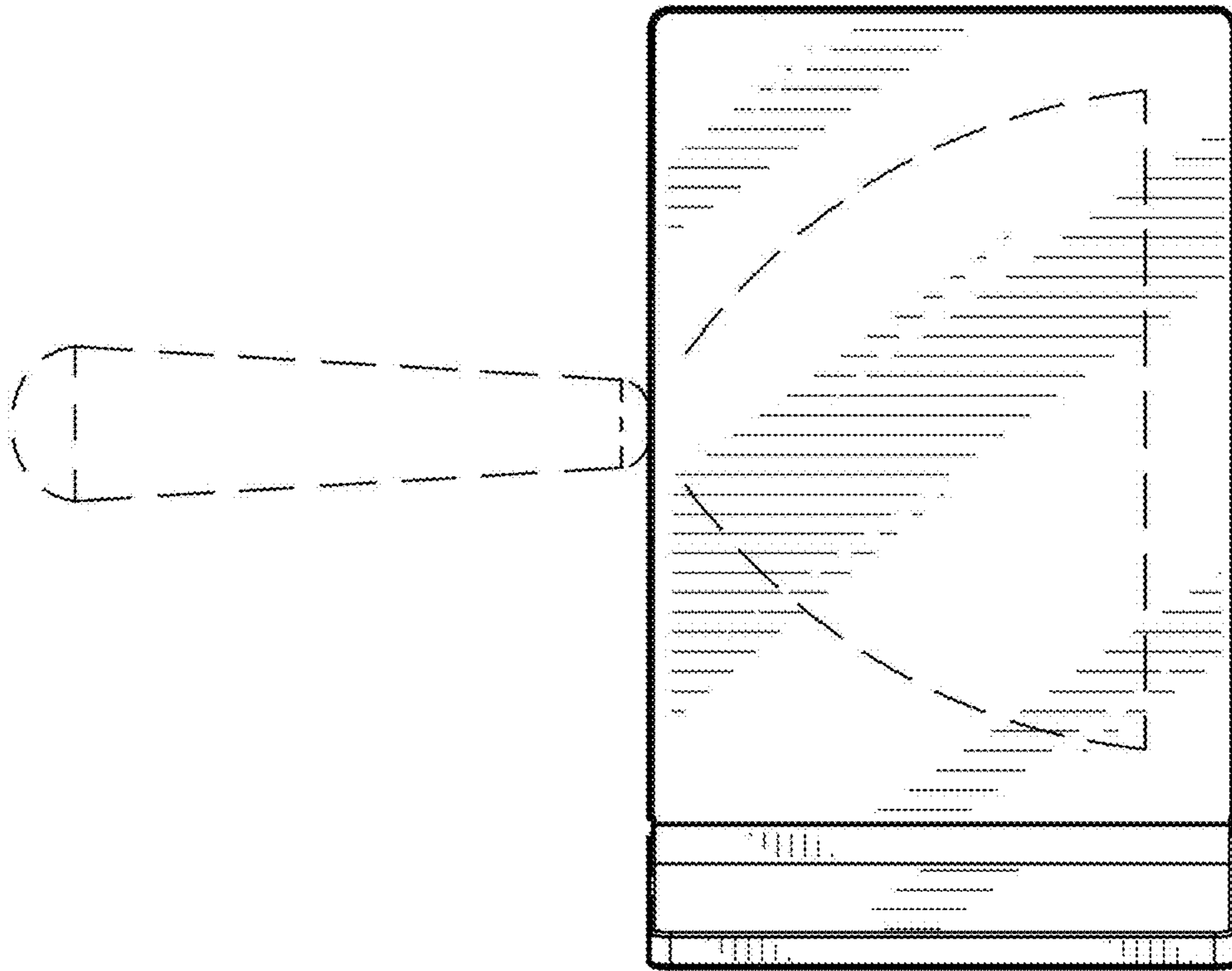


FIG. 25

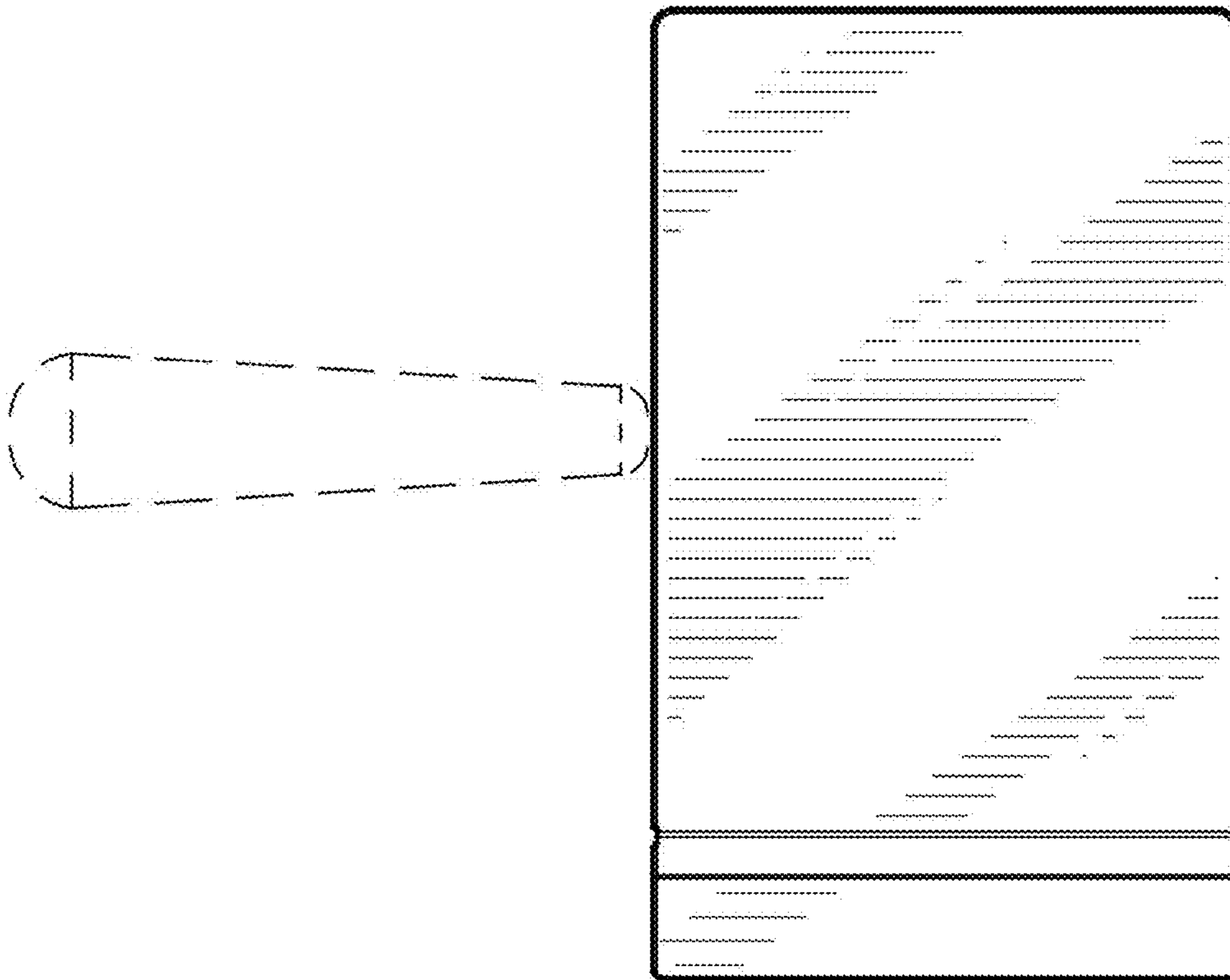


FIG. 26

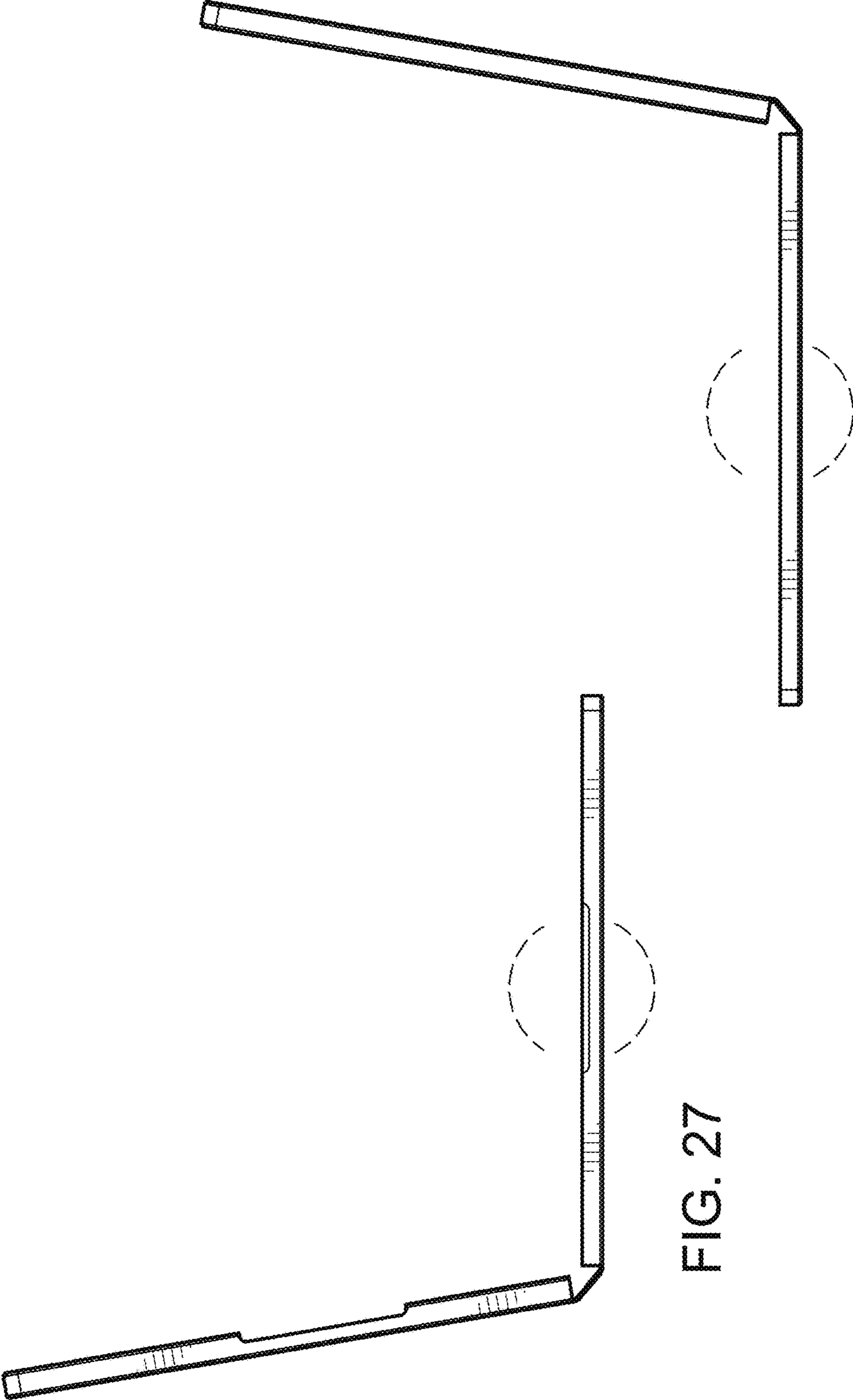


FIG. 27

FIG. 28

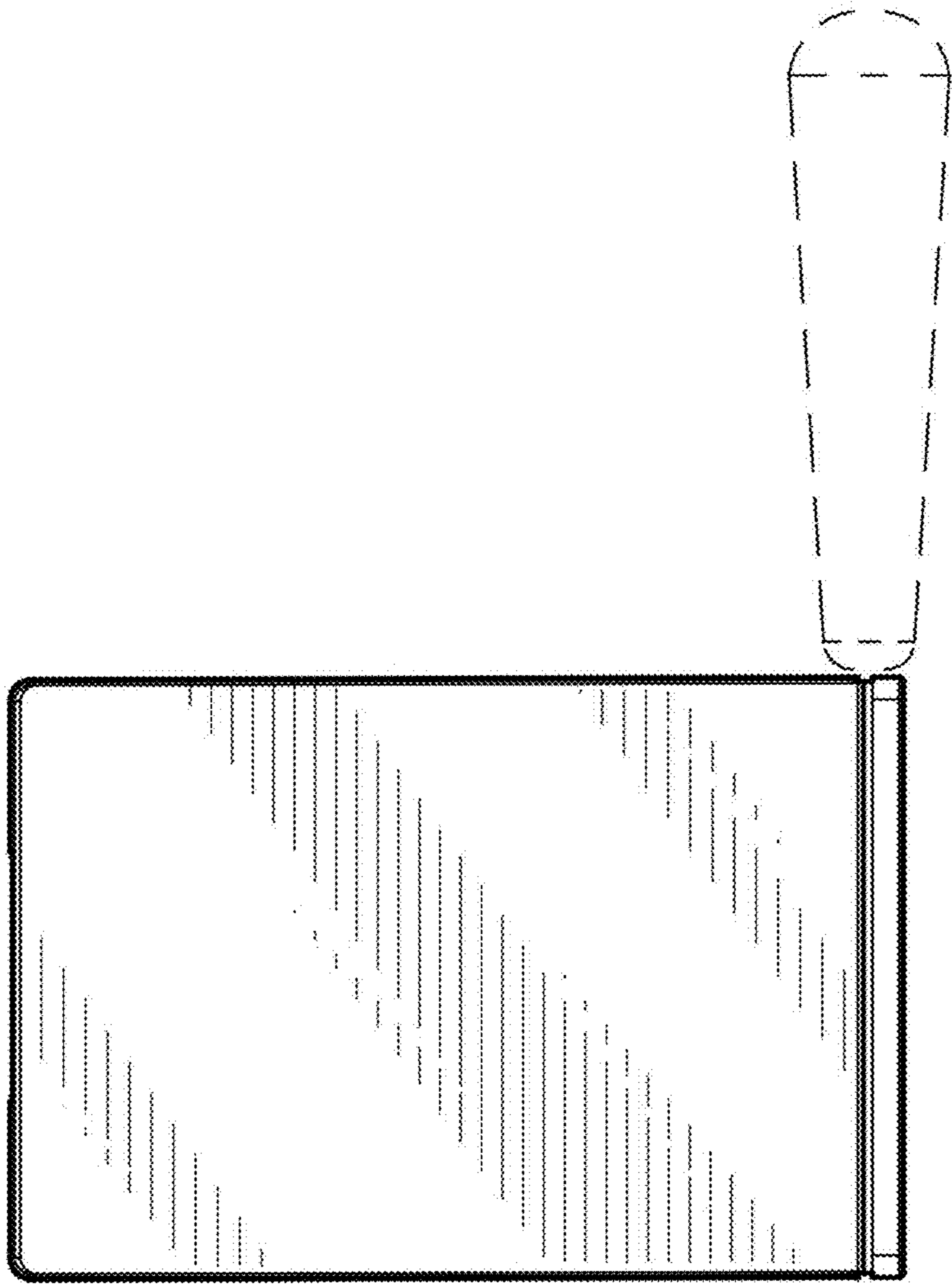


FIG. 29

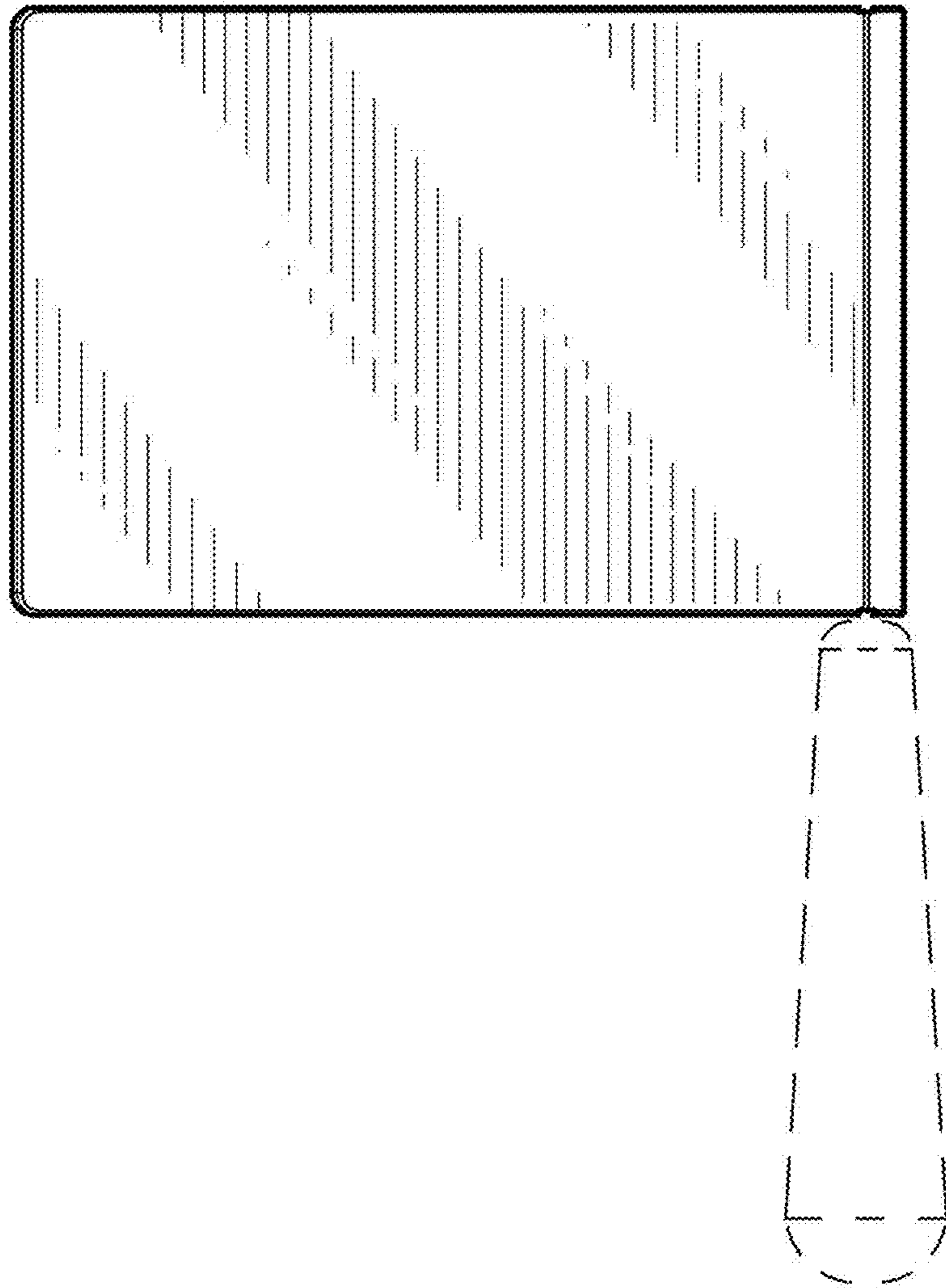


FIG. 30