



US00D827297S

(12) **United States Design Patent**  
**Kandel**

(10) **Patent No.:** **US D827,297 S**

(45) **Date of Patent:** **\*\* Sep. 4, 2018**

(54) **HAND BAG**

(71) Applicant: **PACKIT, LLC**, Westlake Village, CA  
(US)

(72) Inventor: **Michael Kandel**, Los Angeles, CA  
(US)

(73) Assignee: **PACKIT, LLC**, Westlake Village, CA  
(US)

(\*\*) Term: **15 Years**

(21) Appl. No.: **29/577,602**

(22) Filed: **Sep. 14, 2016**

(51) **LOC (11) Cl.** ..... **03-01**

(52) **U.S. Cl.**  
USPC ..... **D3/246; D7/709**

(58) **Field of Classification Search**  
USPC ..... D3/201, 202, 203, 205, 206, 226,  
D3/231-246, 247-248, 258, 273, 276,  
D3/290, 299, 301, 303, 318, 901, 903;  
D9/703-705, 709; D7/703-705, 709  
CPC .. A45C 1/024; A45C 3/04; A45C 3/06; A45C  
13/02; A45C 13/04; A45C 13/06; A45C  
13/08; A45C 13/26

See application file for complete search history.

(56) **References Cited**

**U.S. PATENT DOCUMENTS**

288,495 A \* 11/1883 Sanders ..... A45C 3/06  
150/110  
D55,451 S \* 6/1920 Carraine ..... D3/246  
1,887,511 A \* 11/1932 Maksik ..... A45C 3/06  
150/115  
2,875,802 A \* 3/1959 Koret ..... A45C 3/06  
150/112  
D235,934 S \* 7/1975 Chernoff ..... D11/48  
D249,593 S \* 9/1978 Glaser ..... D3/245  
D403,159 S \* 12/1998 Bellehchili ..... D3/232

D435,964 S \* 1/2001 Lentz ..... D3/201  
D532,198 S \* 11/2006 Betesh ..... D3/246  
D533,415 S \* 12/2006 Lown ..... D7/709  
D535,859 S \* 1/2007 Lown ..... D7/709

(Continued)

**FOREIGN PATENT DOCUMENTS**

FR 698919 A \* 2/1931 ..... A45C 13/04  
FR 1450936 A \* 6/1966 ..... A45C 3/04

**OTHER PUBLICATIONS**

Thread Riding Hood, Insulated Lunch Sack Tutorial, posted on Jun. 12, 2014, [online], [site visited on Nov. 18, 2017]. Available from Internet, <URL: <http://www.threadridinghood.com/wordpress/insulated-lunch-bag-tutorial/>>.\*

(Continued)

*Primary Examiner* — Sheryl Lane  
*Assistant Examiner* — Samantha N Wood  
(74) *Attorney, Agent, or Firm* — Procopio, Cory,  
Hargreaves & Savitch LLP

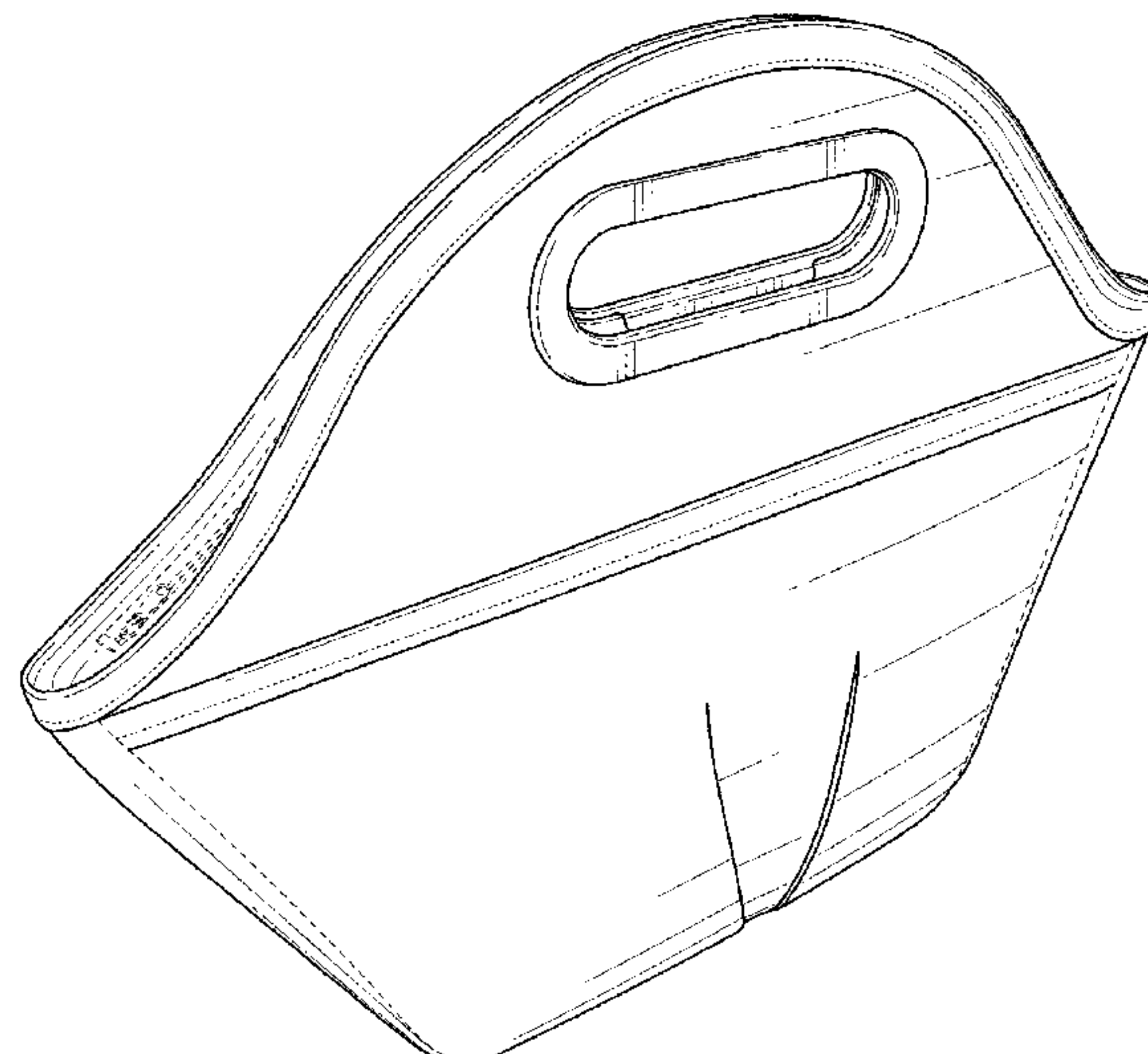
(57) **CLAIM**

I claim the ornamental design for a hand bag, as shown and described.

**DESCRIPTION**

FIG. 1 is a front perspective view of a hand bag according to the present invention;  
FIG. 2 is a front side view thereof;  
FIG. 3 is a back side view thereof;  
FIG. 4 is a right side view thereof;  
FIG. 5 is a left side view thereof;  
FIG. 6 is a top side view thereof; and,  
FIG. 7 is a bottom side view thereof.  
The broken lines are included for the purpose of illustrating portions of the hand bag and form no part of the claimed design. All broken lines that represent stitching or zippers or environmental structure or boundaries form no part of the claimed design.

**1 Claim, 3 Drawing Sheets**



(56)

**References Cited**

## U.S. PATENT DOCUMENTS

D548,458	S	*	8/2007	Gregson, III	.....	D3/245
D559,538	S	*	1/2008	Dew	.....	D3/232
D570,105	S	*	6/2008	Guyon	.....	D3/233
D586,555	S	*	2/2009	Lown	.....	D3/246
D592,912	S	*	5/2009	Lown	.....	D3/232
D601,340	S	*	10/2009	Shaw	.....	D3/232
D653,029	S	*	1/2012	Naldini	.....	D3/243
D675,892	S	*	2/2013	Denzinger	.....	D7/709
D698,547	S	*	2/2014	Deneve	.....	D3/243
D725,899	S	*	4/2015	Wang	.....	D3/232
D757,430	S	*	5/2016	Spaziani	.....	D3/243
D795,574	S	*	8/2017	Pfister	.....	D3/245

## OTHER PUBLICATIONS

The Crazy Momma Files, Cool Green Things for Back to School, posted on Aug. 11, 2008, [online], [site visited on Nov. 18, 2017]. Available from Internet, <URL: <https://thecrazymommafiles.wordpress.com/tag/green-things/>>.\*

Design Milk, Built Gourmet Getaway, posted on Jul. 18, 2006, [online], [site visited on Nov. 18, 2017]. Available from Internet, <URL: <http://design-milk.com/builtny/>>.\*

Amazon, PackIt Freezable Traveler Lunch Bag, first available Nov. 18, 2015, [online], [site visited on Nov. 18, 2017]. Available from Internet, <URL: <https://www.amazon.com/dp/B0185K9746?tag=the10pro-20>>.\*

\* cited by examiner

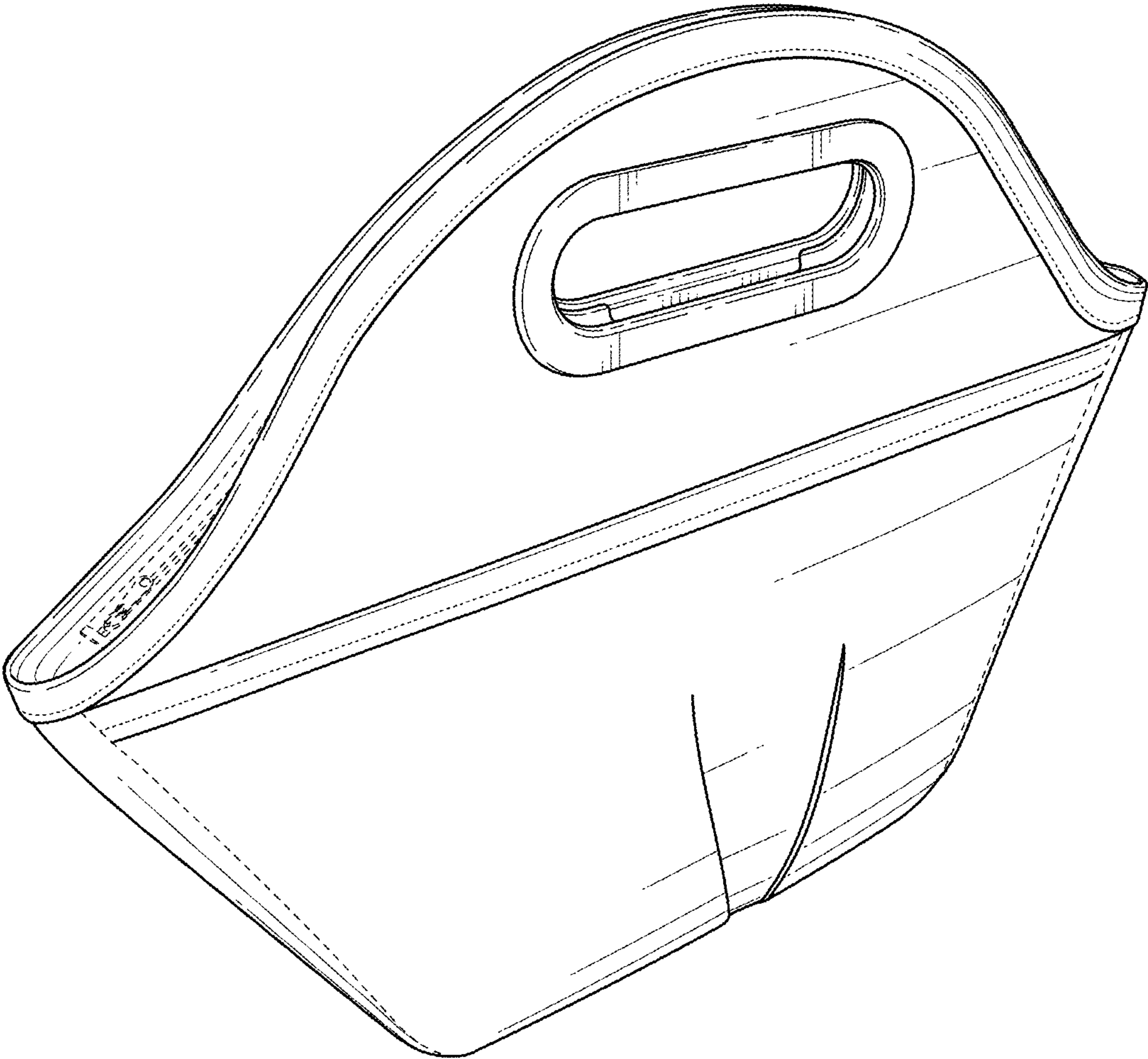


FIG. 1

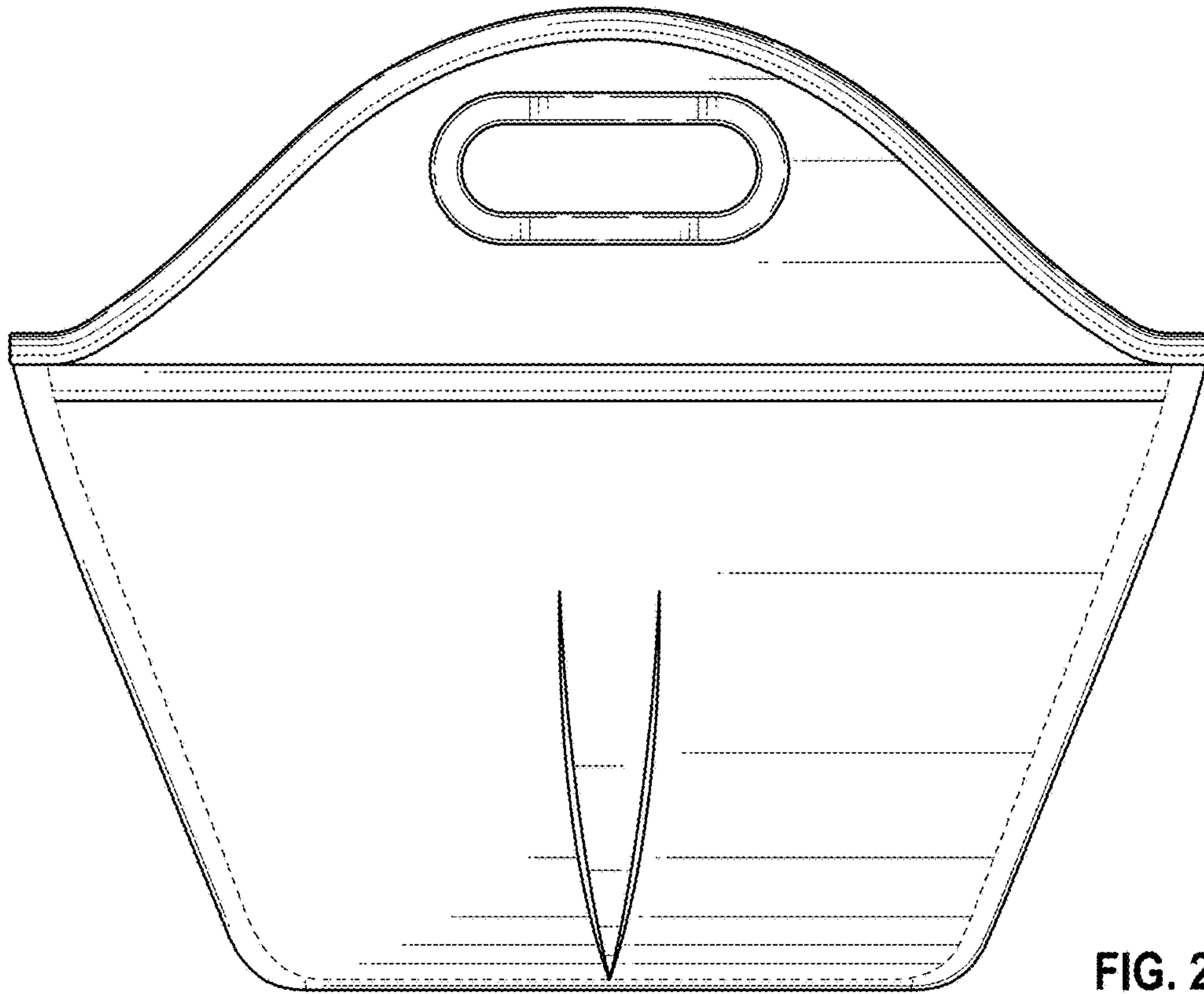


FIG. 2

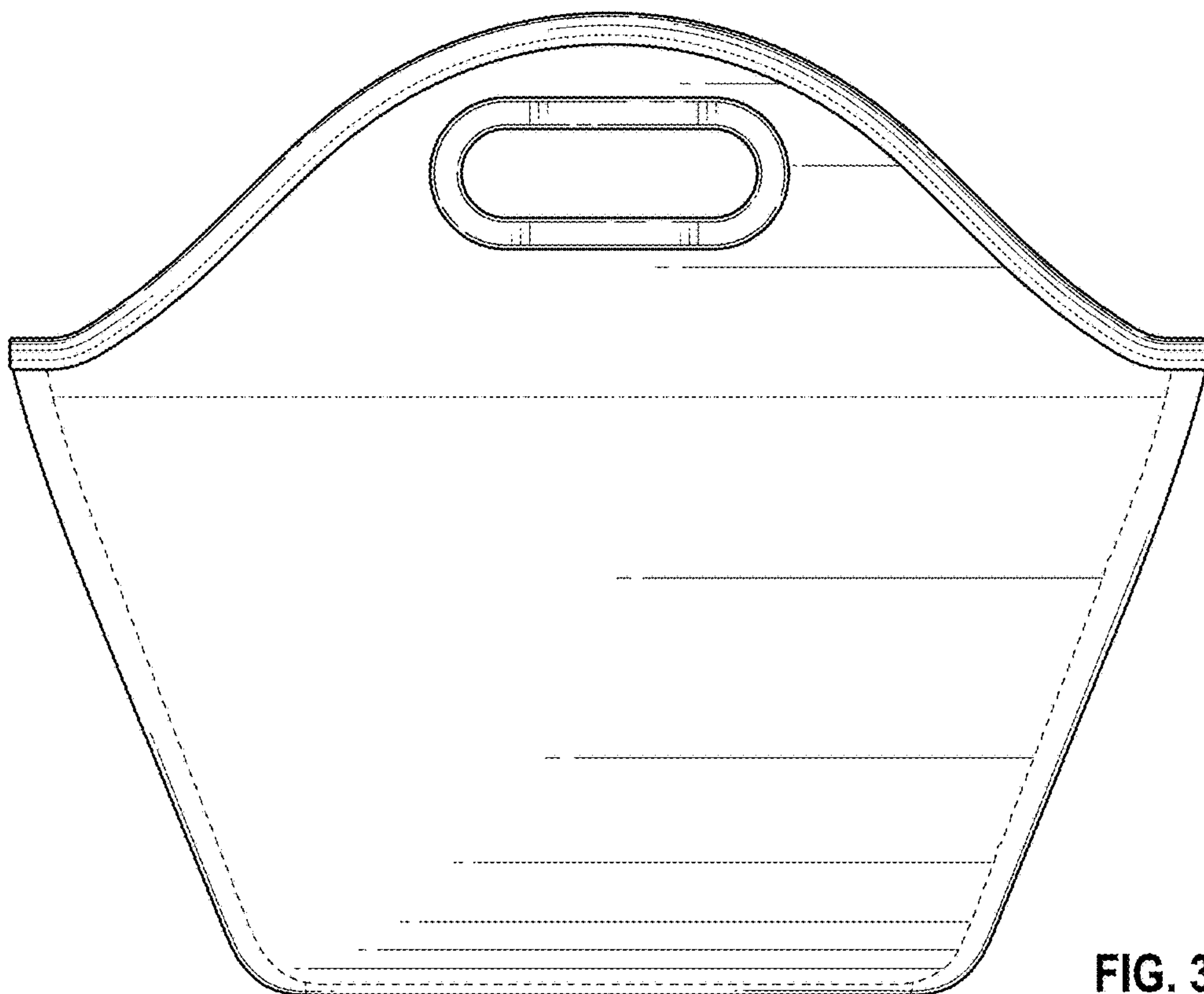


FIG. 3



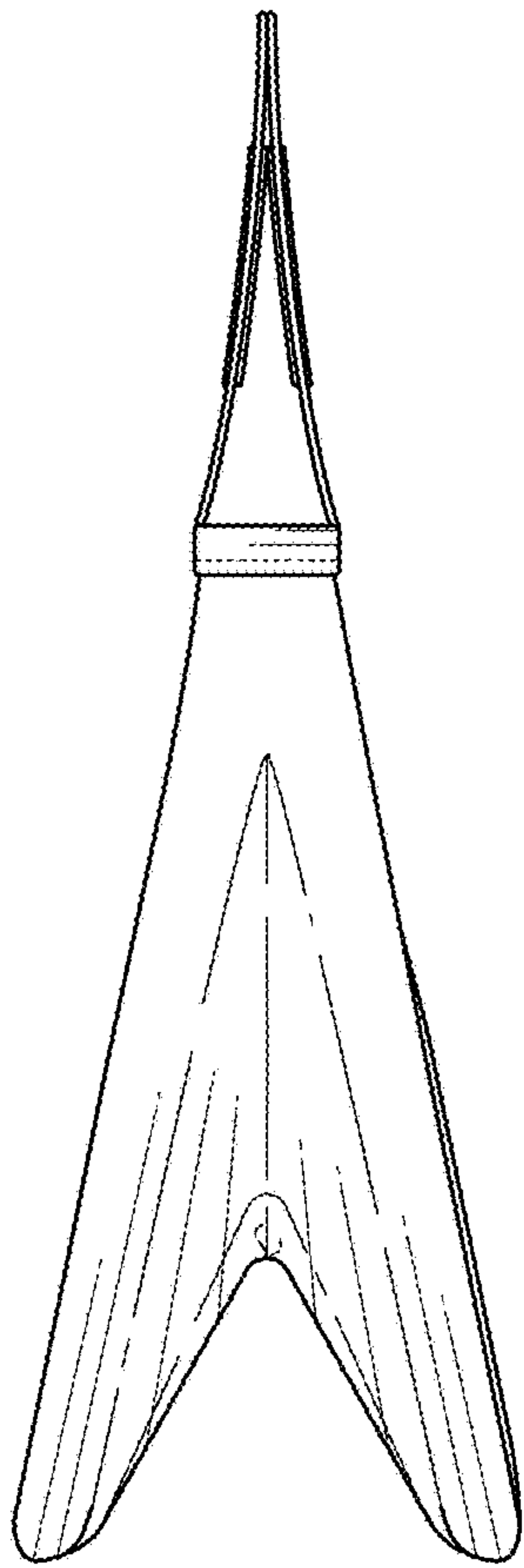


FIG. 4

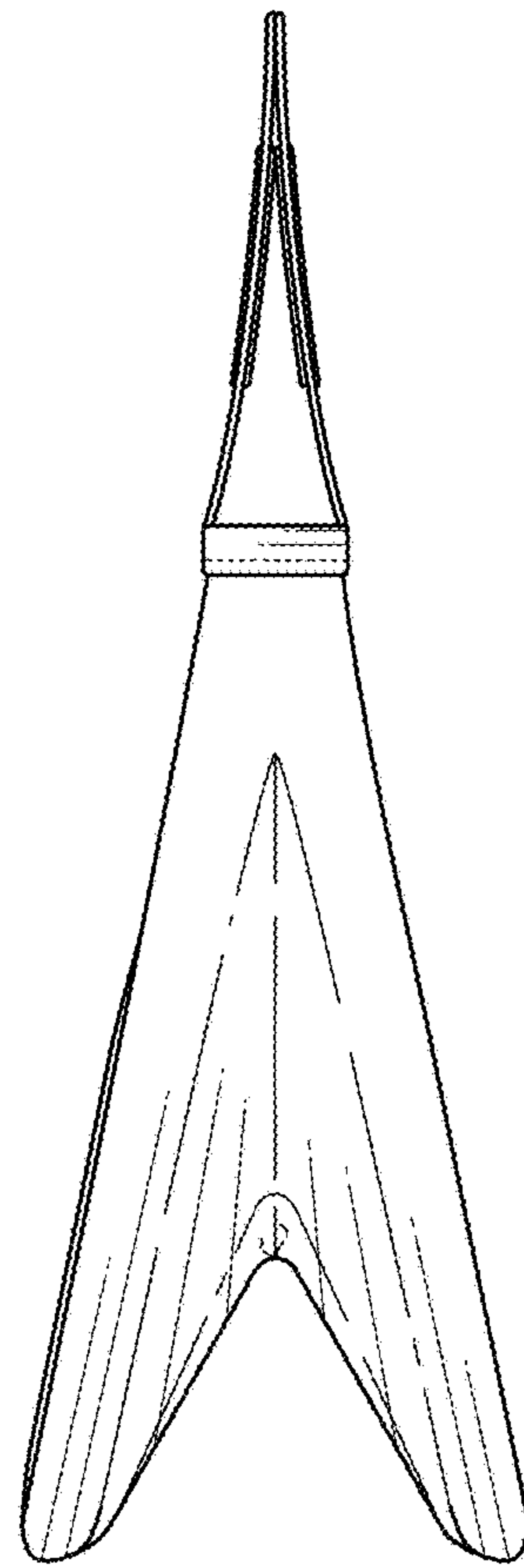


FIG. 5

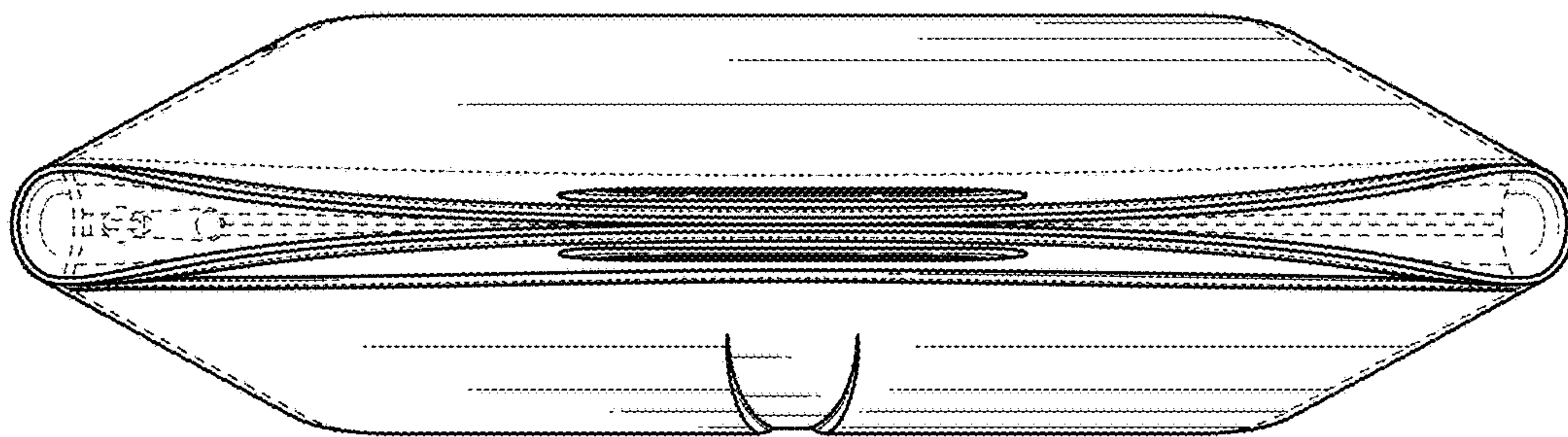


FIG. 6

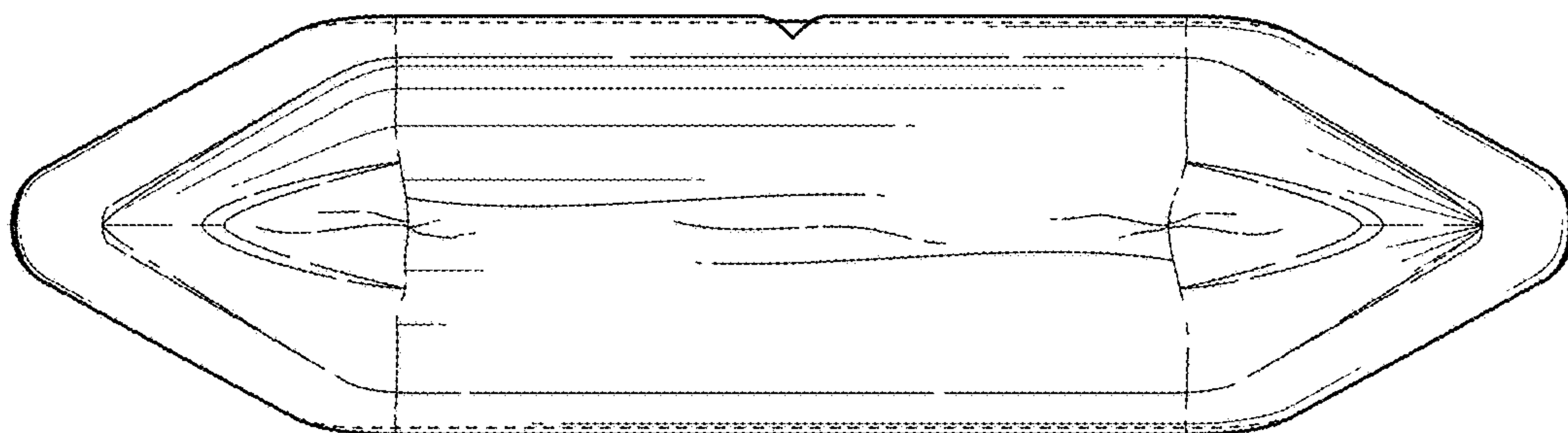


FIG. 7