



US00D827294S

(12) **United States Design Patent**
Cheng

(10) **Patent No.:** **US D827,294 S**

(45) **Date of Patent:** **** Sep. 4, 2018**

(54) **BATON HOLDER**

(71) Applicant: **KANTAS PRODUCTS CO., LTD.**,
Taipei (TW)

(72) Inventor: **Yang-Fu Cheng**, Taipei (TW)

(73) Assignee: **KANTAS PRODUCTS CO., LTD.**,
Taipei (TW)

(**) Term: **15 Years**

(21) Appl. No.: **29/608,887**

(22) Filed: **Jun. 27, 2017**

(30) **Foreign Application Priority Data**

May 26, 2017 (TW) 106302883

(51) **LOC (11) Cl.** **03-01**

(52) **U.S. Cl.**
USPC **D3/229**

(58) **Field of Classification Search**
USPC D3/229, 228, 215, 221; 224/236, 245,
224/247, 251, 672, 675-676, 901.4,
224/901.6, 914

CPC A45F 5/00; A45F 5/02; A45F 5/021; A45F
2200/0566; A45F 2200/0591; F41B 15/02
See application file for complete search history.

(56) **References Cited**

U.S. PATENT DOCUMENTS

4,953,769 A * 9/1990 Parsons A45F 5/02
224/247
4,955,518 A * 9/1990 Parsons A45F 5/02
224/247

5,217,151 A * 6/1993 Parsons A45F 5/021
224/236
D386,612 S * 11/1997 Starrett D3/229
D405,258 S * 2/1999 Newbould, Jr. D3/229
D518,633 S * 4/2006 Hestvik D3/229
D535,471 S * 1/2007 Parsons D22/117
D785,320 S * 5/2017 Kostal D3/229

* cited by examiner

Primary Examiner — Catherine R Oliver-Garcia

(74) *Attorney, Agent, or Firm* — Bacon & Thomas, PLLC

(57) **CLAIM**

The ornamental design for the baton holder, as shown and described above.

DESCRIPTION

FIG. 1 is a perspective view of a baton holder showing the new design;

FIG. 2 is a front elevational view thereof;

FIG. 3 is a rear elevational view thereof;

FIG. 4 is a left side elevational view thereof;

FIG. 5 is a right side elevational view thereof;

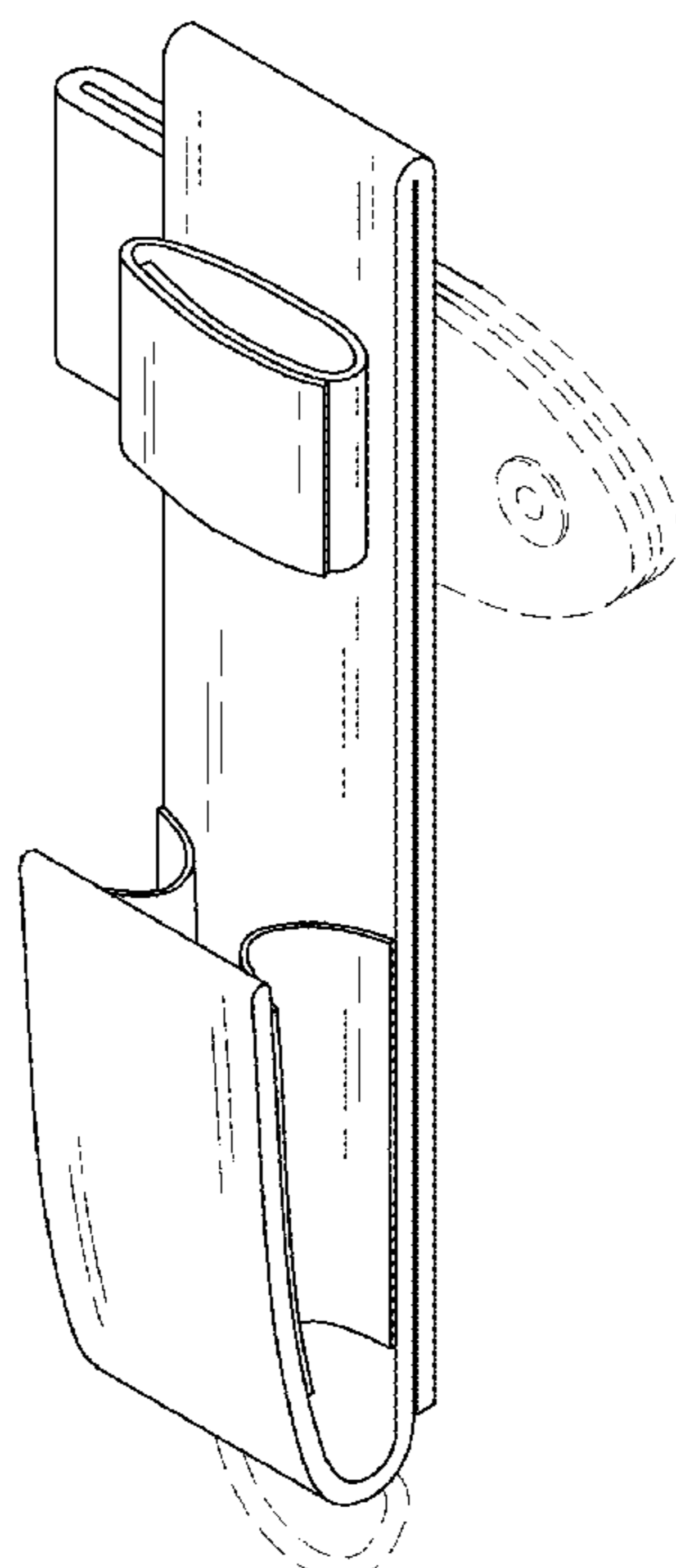
FIG. 6 is a top plan view thereof;

FIG. 7 is a bottom plan view thereof; and,

FIG. 8 is a perspective view showing the rotatable part of the design been rotated to vertical direction.

The dash-dash broken lines throughout the figures depict environmental subject matter that forms no part of the claimed design. The broken lines and the regions bounded by broken lines showing partial portions of the baton holder are for illustrative purpose only and form no part of the claimed design.

1 Claim, 7 Drawing Sheets



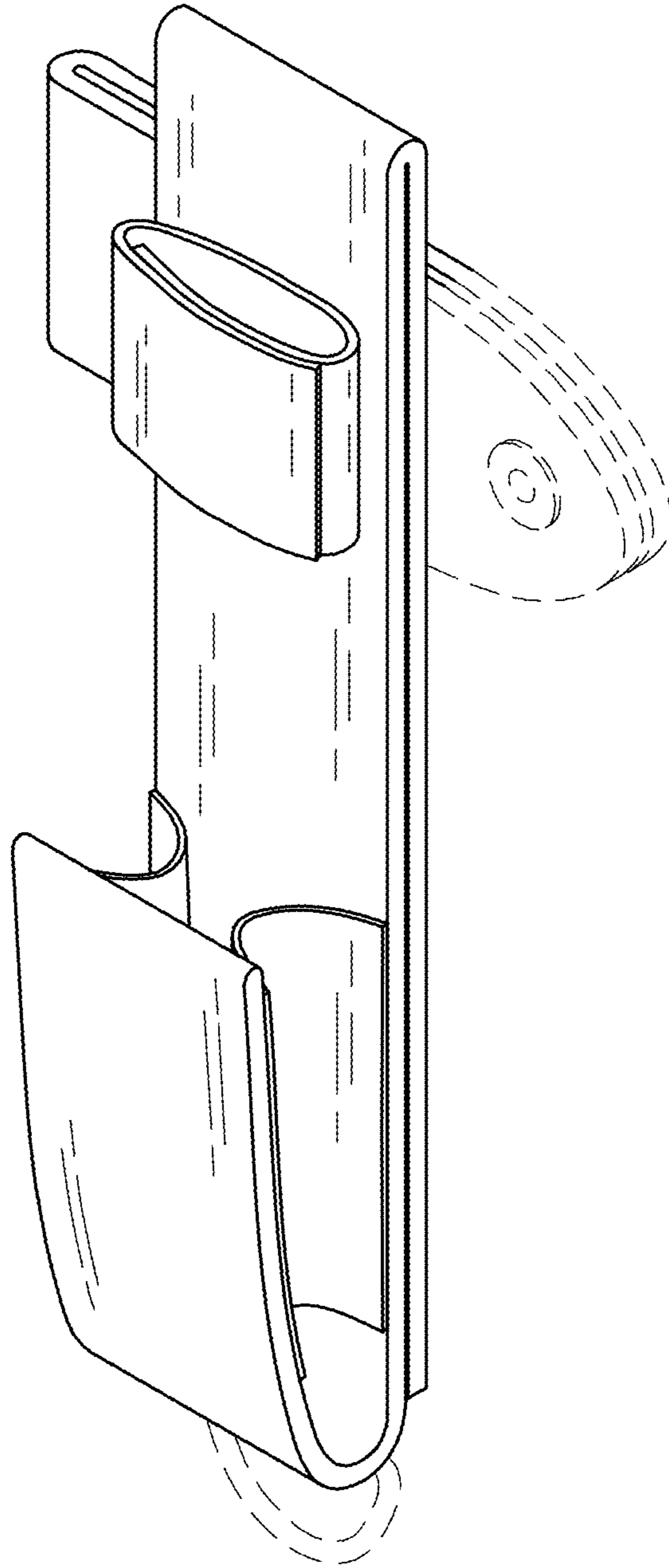


FIG. 1

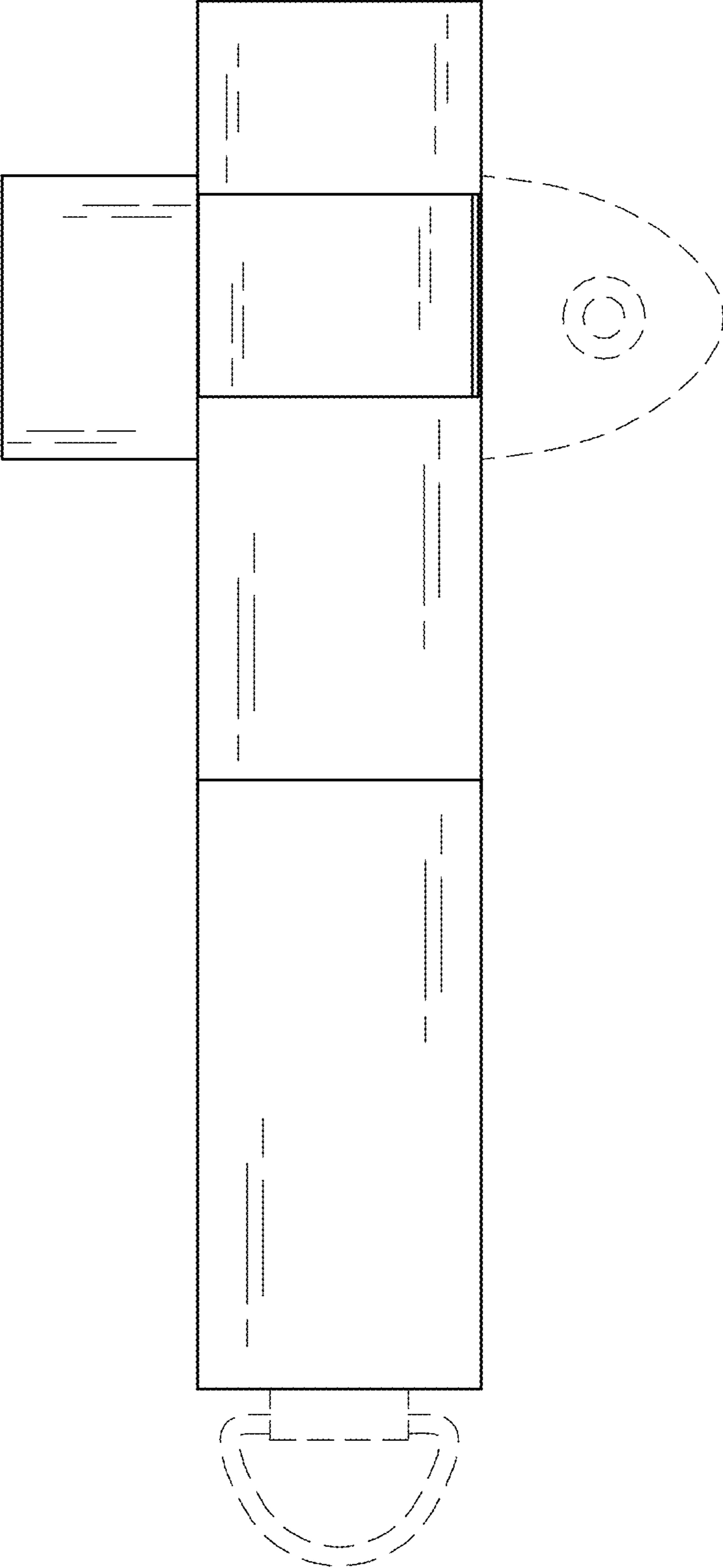


FIG. 2

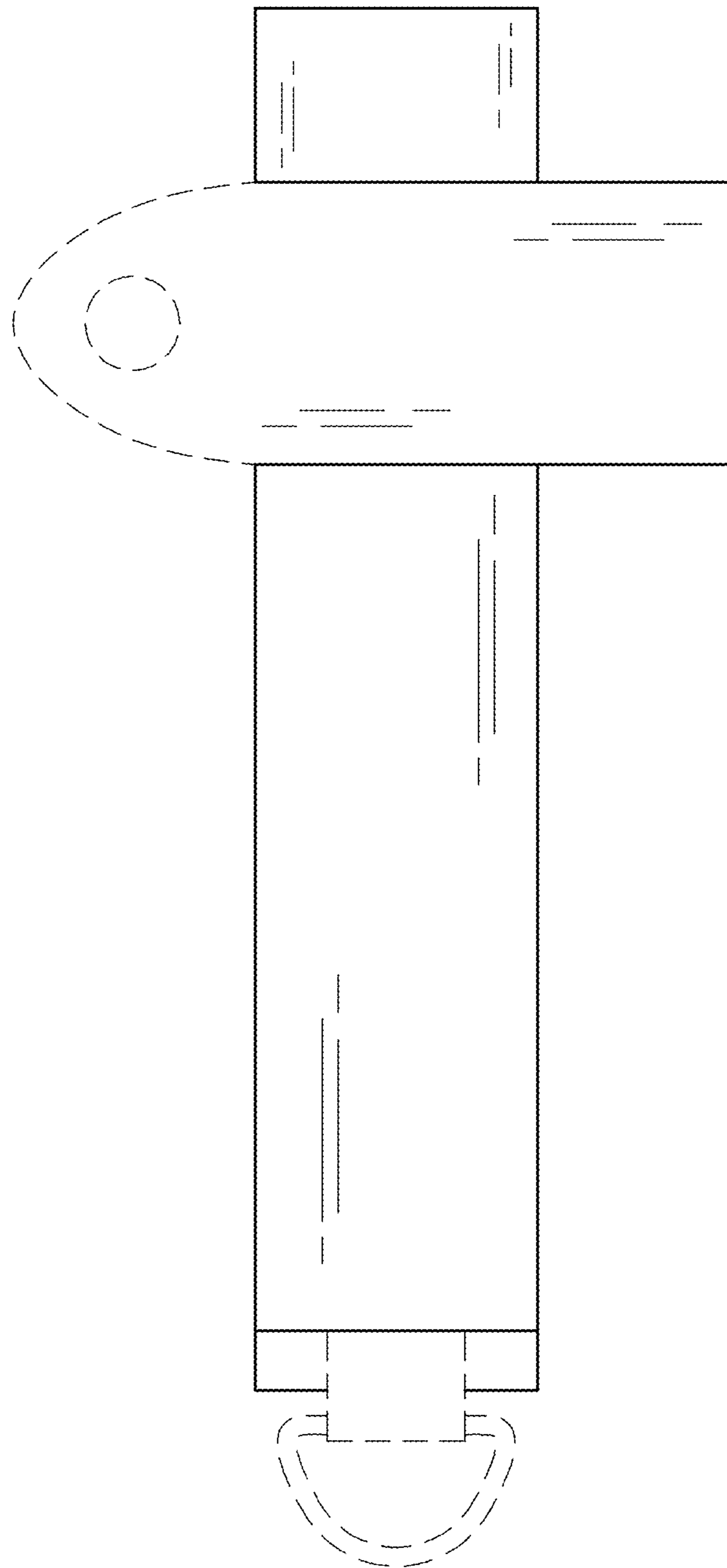


FIG. 3

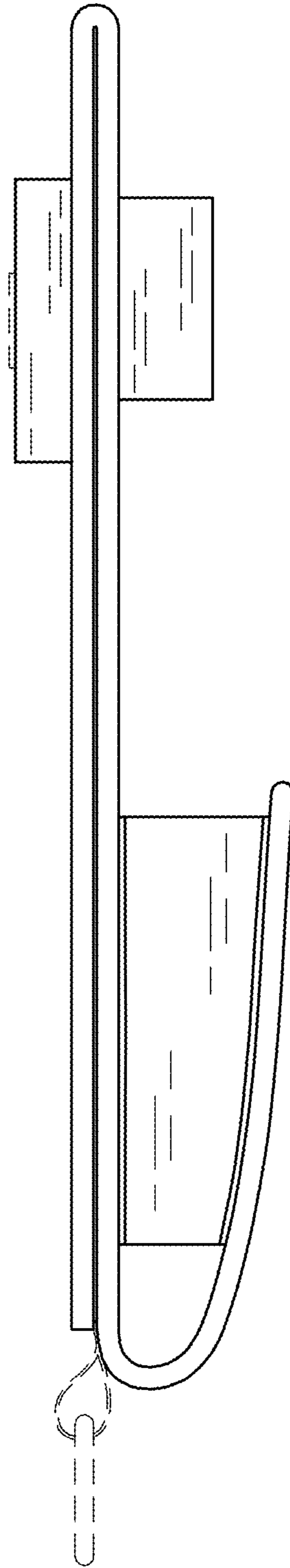


FIG. 4

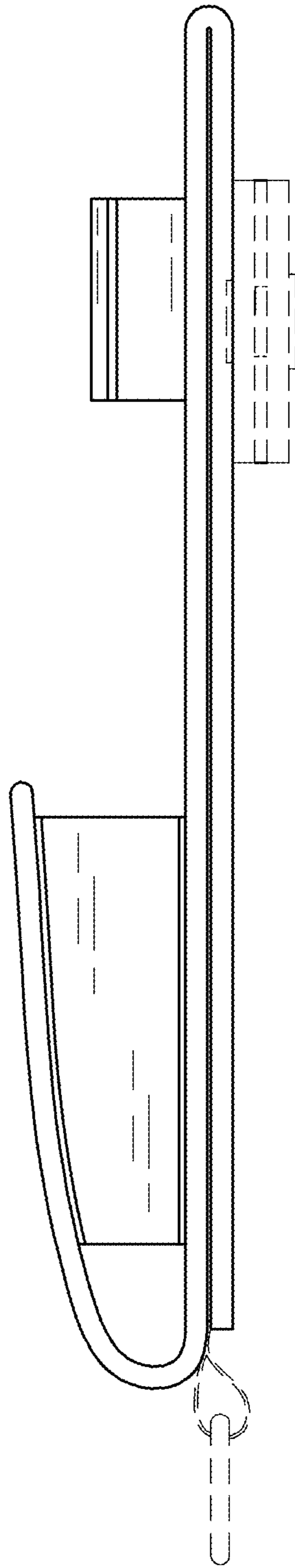


FIG. 5

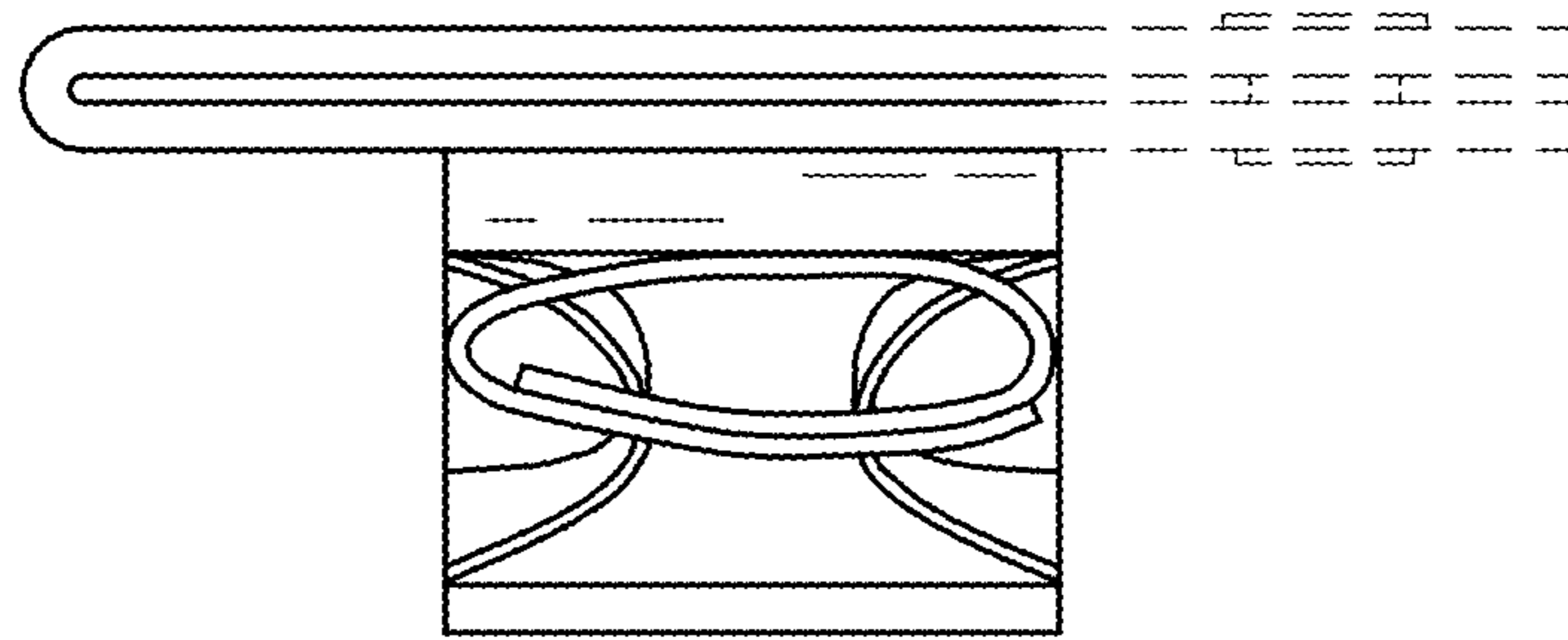


FIG. 6

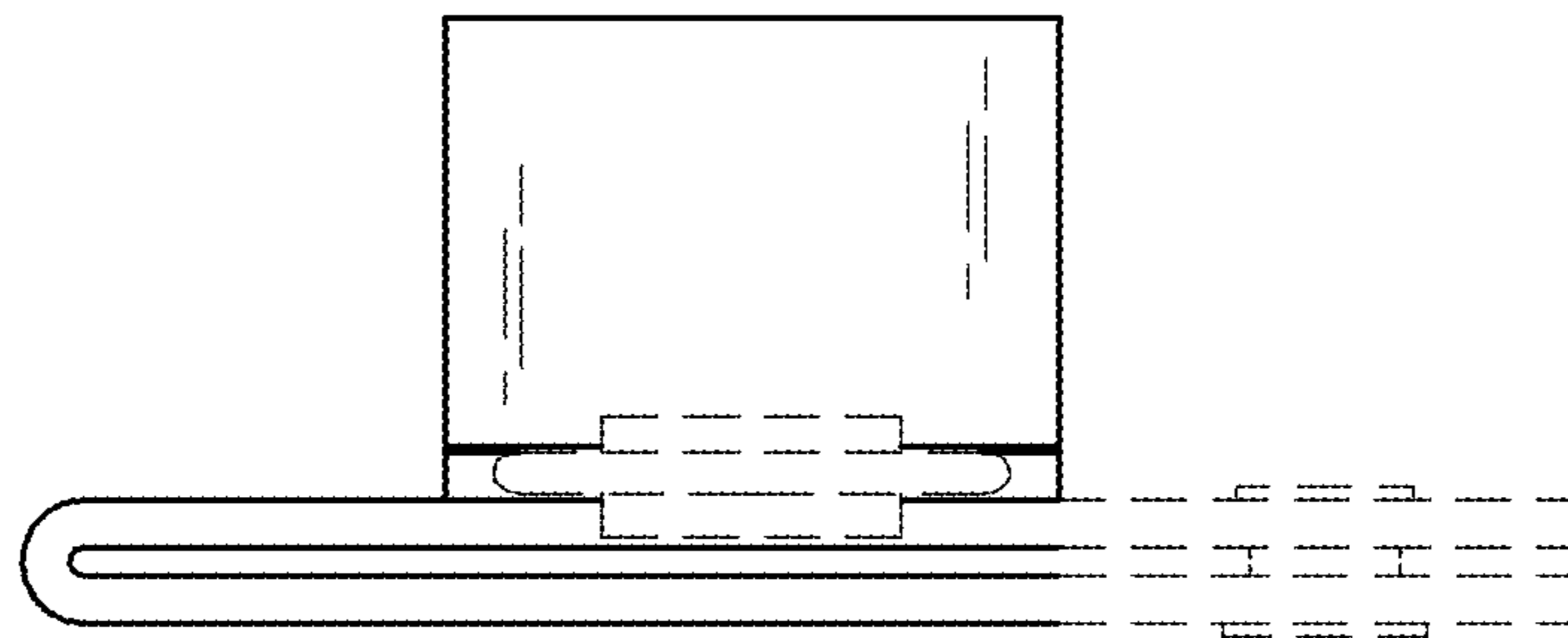


FIG. 7

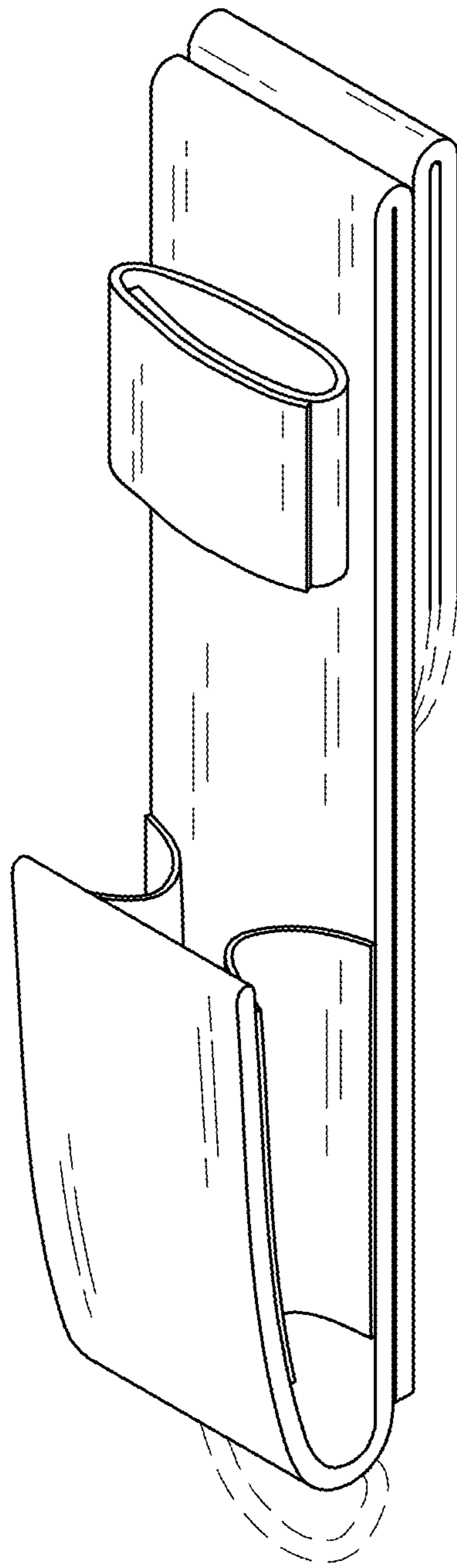


FIG. 8