



US00D827290S

(12) **United States Design Patent**
Lumley

(10) **Patent No.:** **US D827,290 S**

(45) **Date of Patent:** **** Sep. 4, 2018**

- (54) **HAIRPIN WALKING CANE**
- (71) Applicant: **Robert S Lumley**, Mason City, IA (US)
- (72) Inventor: **Robert S Lumley**, Mason City, IA (US)
- (**) Term: **15 Years**
- (21) Appl. No.: **29/598,934**
- (22) Filed: **Mar. 29, 2017**
- (51) **LOC (11) Cl.** **03-03**
- (52) **U.S. Cl.**
USPC **D3/7**
- (58) **Field of Classification Search**
USPC D3/5, 6, 7; D28/39, 42
CPC A45B 1/04; A45B 3/00; A45B 7/00; A45B
2009/005; A45B 2200/05
See application file for complete search history.

- 2,813,532 A * 11/1957 Lerner A45D 8/14
132/284
- 3,058,477 A * 10/1962 Dewing A45D 8/14
132/284
- D199,475 S * 10/1964 Weiss et al. D28/39
- 3,316,921 A * 5/1967 Westburg A45D 8/14
132/284
- D345,461 S * 3/1994 Hickey D3/7
- D347,295 S * 5/1994 McCabe D28/39
- D407,207 S * 3/1999 Hunter D3/12
- D408,127 S * 4/1999 Chapman D3/7
- D438,371 S * 3/2001 Tong D3/7
- D464,171 S * 10/2002 Goodman D28/39
- 6,460,547 B1 * 10/2002 Williams A45D 8/02
132/280
- D484,679 S * 1/2004 Smith D3/7
- D552,340 S * 10/2007 Graves D3/7
- D594,222 S * 6/2009 Antrim D3/7
- D625,910 S * 10/2010 Whittaker D3/7
- D690,927 S * 10/2013 Jones D3/7
- D699,938 S * 2/2014 Mayer D3/7
- D702,399 S * 4/2014 Mosley D28/42

(Continued)

(56) **References Cited**

U.S. PATENT DOCUMENTS

- 1,732,808 A * 10/1929 Goldberg A45D 8/14
132/284
- 1,994,248 A * 3/1935 Hermsdorf A45D 8/14
132/284
- 2,396,389 A * 3/1946 Reynolds A45D 8/14
132/284
- 2,414,124 A * 1/1947 Reynolds A45D 8/14
132/284
- 2,465,746 A * 3/1949 Pereny et al. A45D 8/14
132/284
- 2,489,598 A * 11/1949 Tick A45D 8/14
132/284
- 2,522,911 A * 9/1950 Weaver A45D 8/08
132/284
- 2,584,637 A * 2/1952 Sprinkle A45D 8/14
132/284
- 2,598,456 A * 5/1952 Snyder A45D 8/14
132/284

Primary Examiner — John Windmuller

Assistant Examiner — Steven J Czyz

(74) *Attorney, Agent, or Firm* — Mark David Torche;
Patwrite Law

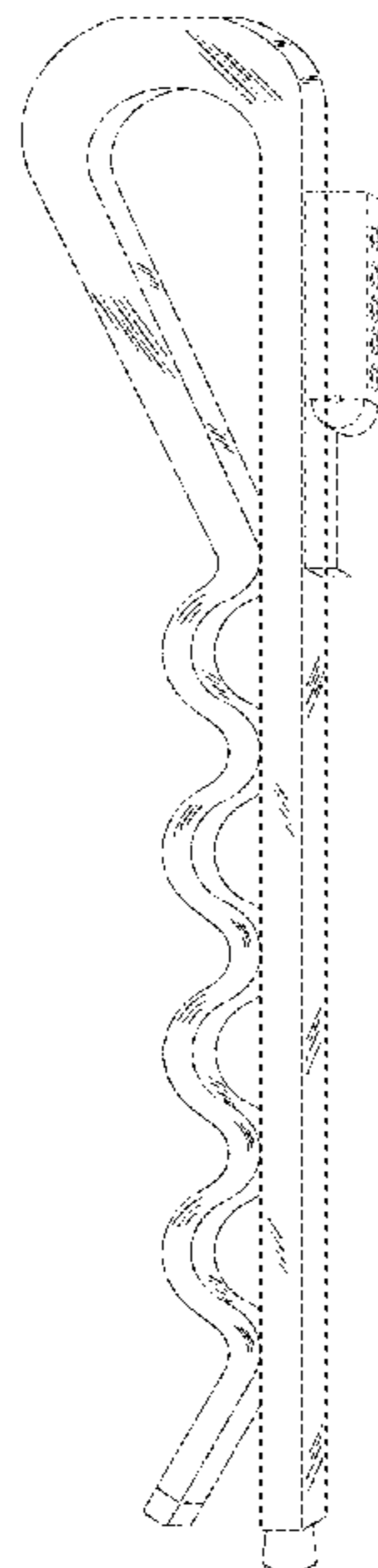
(57) **CLAIM**

I claim the ornamental design for a hairpin walking cane design, substantially as shown and described.

DESCRIPTION

FIG. 1 is a perspective view of a hairpin walking cane. FIG. 2 is a side view of the hairpin walking cane; and, FIG. 3 is a front view of the hairpin walking cane. The broken lines depict portions of the article that form no part of the claimed design.

1 Claim, 3 Drawing Sheets



(56)

References Cited

U.S. PATENT DOCUMENTS

D740,545 S * 10/2015 Brown D3/7
D767,874 S * 10/2016 Berberian D3/7

* cited by examiner

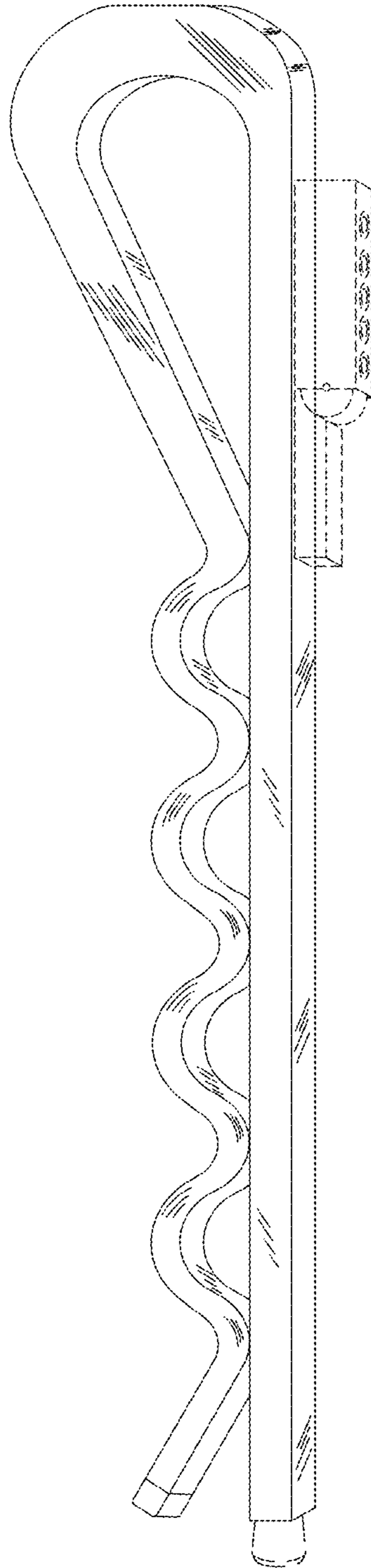


FIG. 1

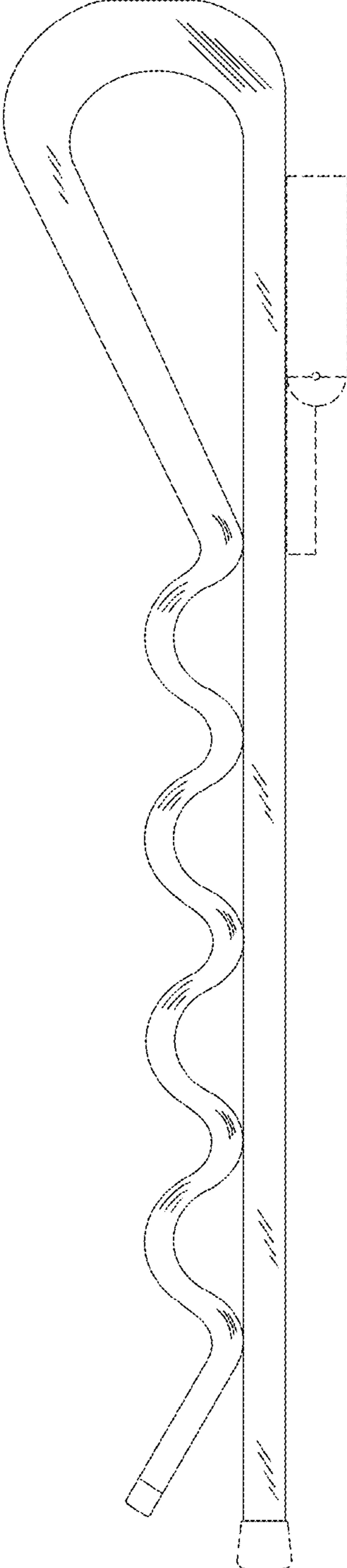


FIG. 2

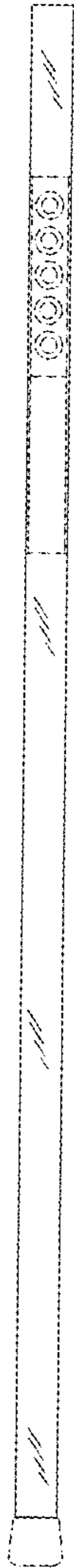


FIG. 3