



US00D827281S

(12) **United States Design Patent**
Buscemi

(10) **Patent No.:** **US D827,281 S**
(45) **Date of Patent:** **** Sep. 4, 2018**

(54) **SHOE HEEL ELEMENT**
(71) Applicant: **Buscemi, LLC**, Los Angeles, CA (US)
(72) Inventor: **Jon Buscemi**, Los Angeles, CA (US)
(73) Assignee: **BUSCEMI, LLC**, Los Angeles, CA (US)
(**) Term: **15 Years**

D298,685 S *	11/1988	Dillard	D2/902
D300,282 S *	3/1989	Brown	D2/970
D328,517 S *	8/1992	Hallenbeck	D2/978
D527,886 S *	9/2006	Morris	D2/972
D639,042 S *	6/2011	Gibson	D2/969
D740,536 S *	10/2015	Rickmon-Swan	D2/970
D762,955 S *	8/2016	Buscemi	D2/943
D762,962 S *	8/2016	McClaskie	D2/970
D770,156 S *	11/2016	McClaskie	D2/970
D804,800 S *	12/2017	Petrenka	D2/969
D807,631 S *	1/2018	Sullivan	D2/972
D812,891 S *	3/2018	Blauer	D2/973

(21) Appl. No.: **29/592,710**
(22) Filed: **Feb. 1, 2017**
(51) **LOC (11) Cl.** **02-99**
(52) **U.S. Cl.**
USPC **D2/972**
(58) **Field of Classification Search**
USPC D2/902, 904, 906-908, 923, 943, 944,
D2/946, 969, 970, 972-975, 978; D5/7,
D5/15, 46, 47, 49, 53
CPC ... A43B 13/181; A43B 13/141; A43B 13/186;
A43B 13/188; A43B 23/00; A43B 23/02;
A43B 5/00; A43B 23/26; A43B 1/04;
A43B 11/14; A43B 7/00; A43B 3/12;
A43C 3/00; A43C 5/00; A43C 7/00;
A43C 11/004
See application file for complete search history.

* cited by examiner

Primary Examiner — Dominic V Simone
(74) *Attorney, Agent, or Firm* — Katten Muchin
Rosenman LLP

(57) **CLAIM**

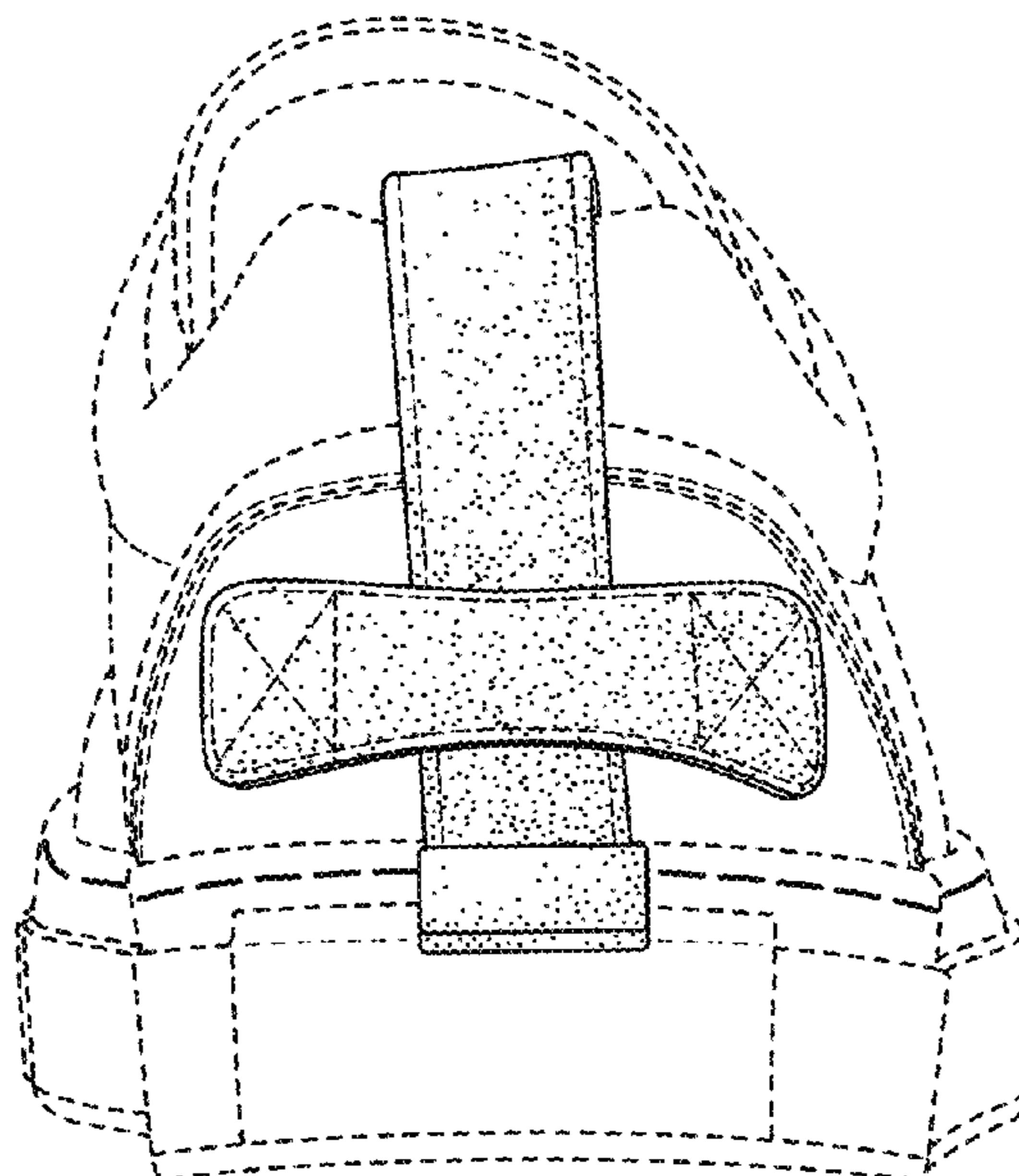
The ornamental design for a shoe heel element, as shown and described.

DESCRIPTION

FIG. 1 is a front perspective view of the shoe heel element. FIG. 2 is a front view of the shoe heel element of FIG. 1. FIG. 3 is a rear view of the shoe heel element of FIG. 1. FIG. 4 is a left side view of the shoe heel element of FIG. 1. FIG. 5 is a right side view of the shoe heel element of FIG. 1. FIG. 6 is a top view of the shoe heel element of FIG. 1; and, FIG. 7 is a bottom view of the shoe heel element of FIG. 1. None of the broken lines shown in the drawings form a part of the claimed design.

(56) **References Cited**
U.S. PATENT DOCUMENTS
4,547,981 A * 10/1985 Thais A43B 7/00
36/114
D283,463 S * 4/1986 Chassaing D2/902

1 Claim, 7 Drawing Sheets



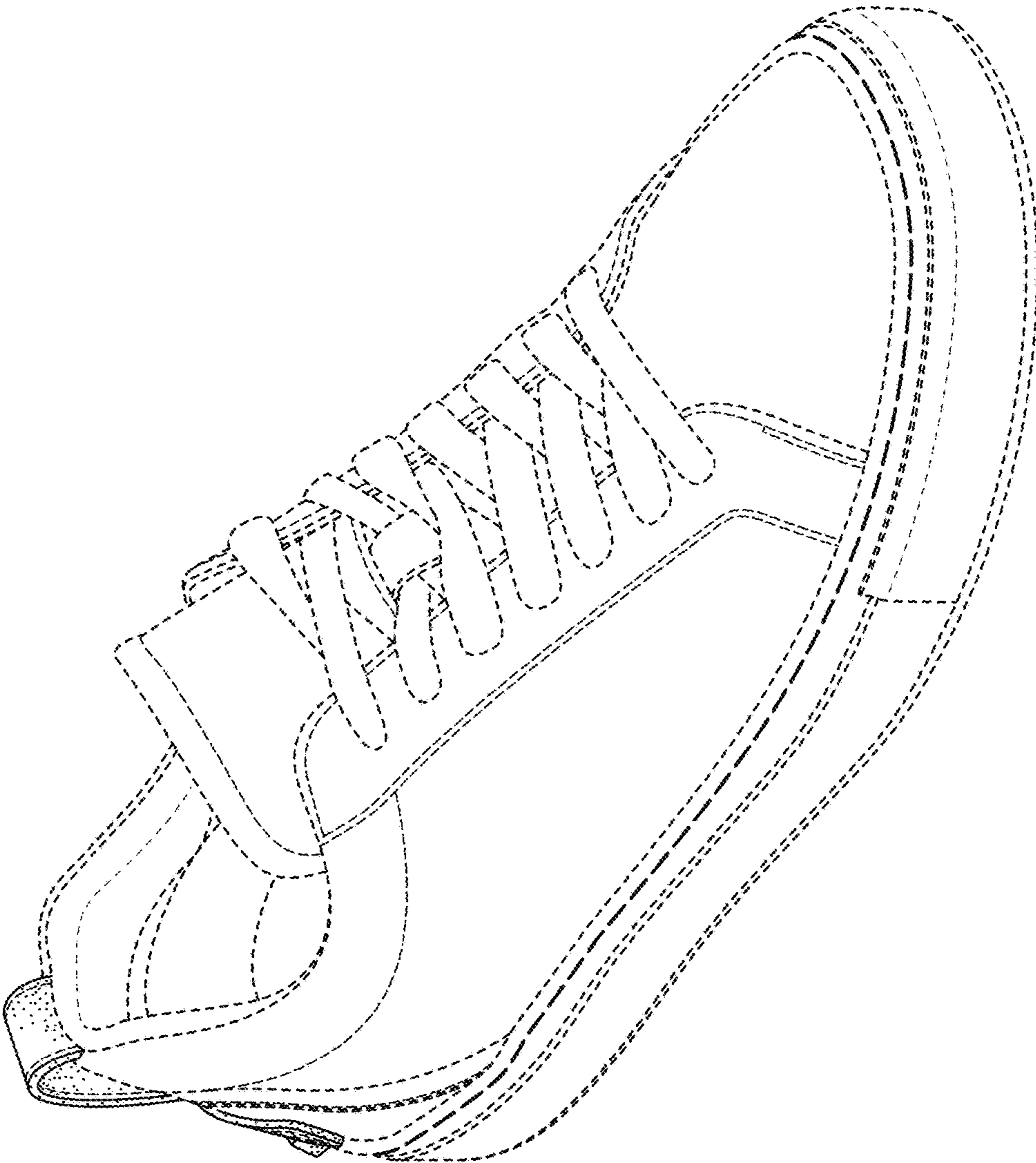


FIG. 1

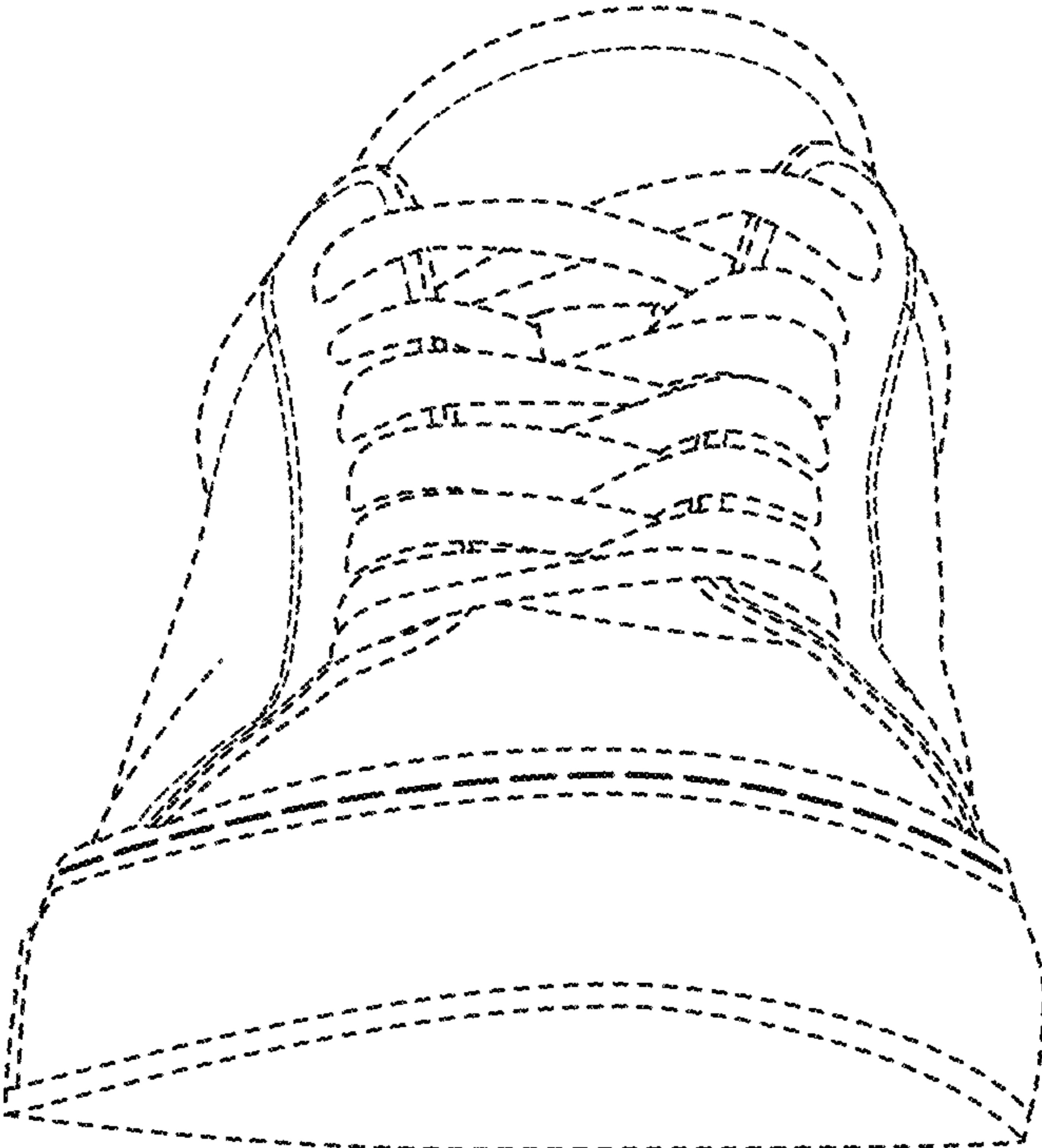


FIG. 2

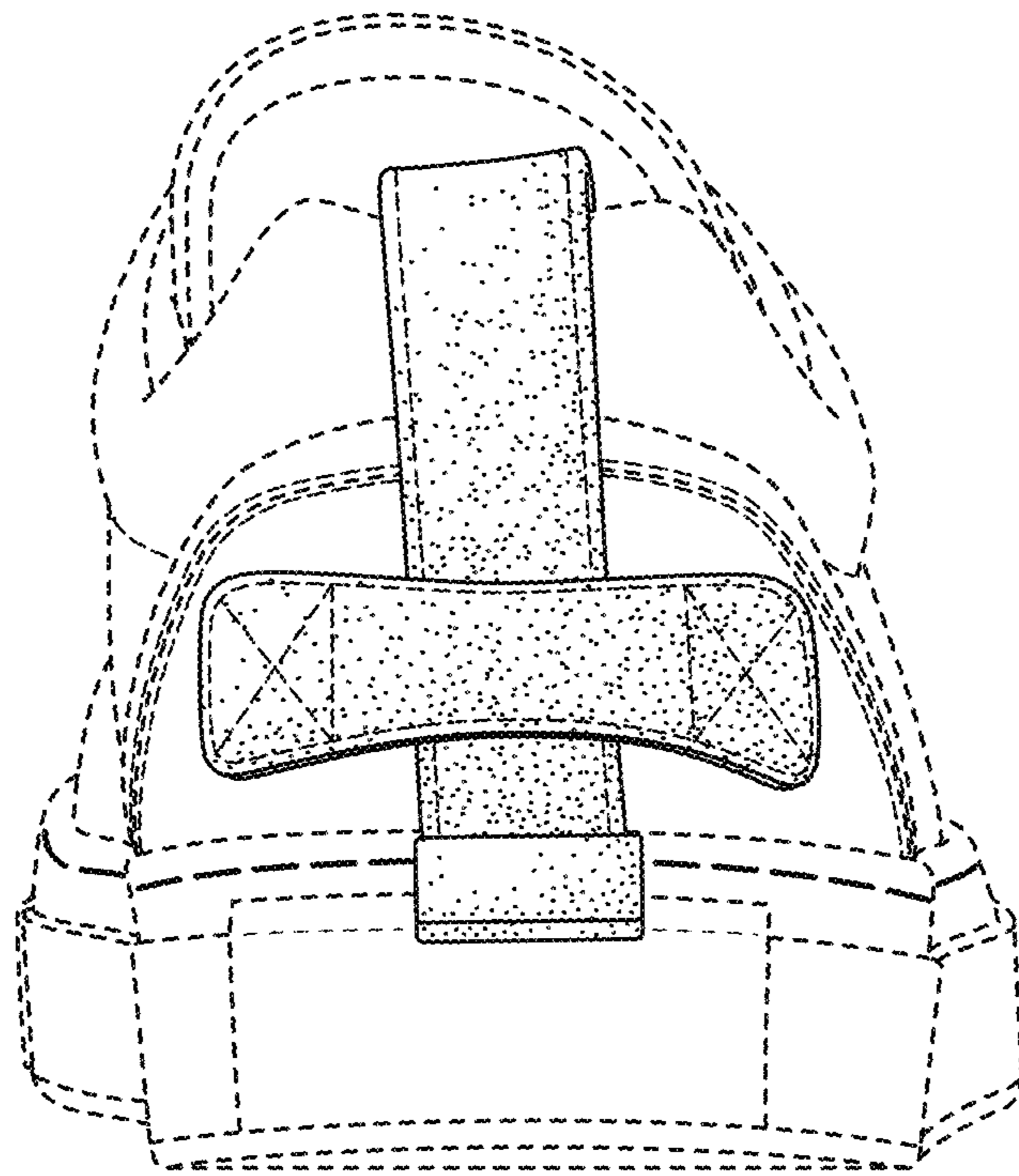


FIG. 3

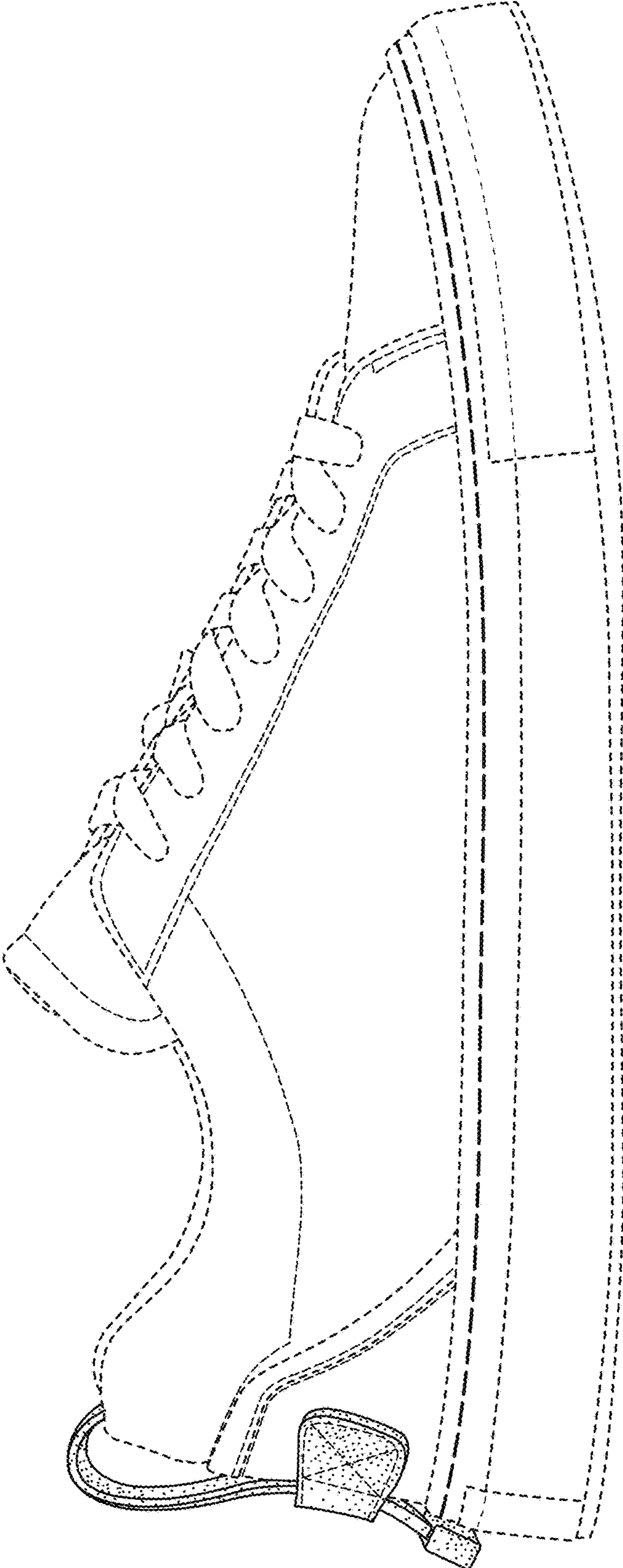


FIG. 4

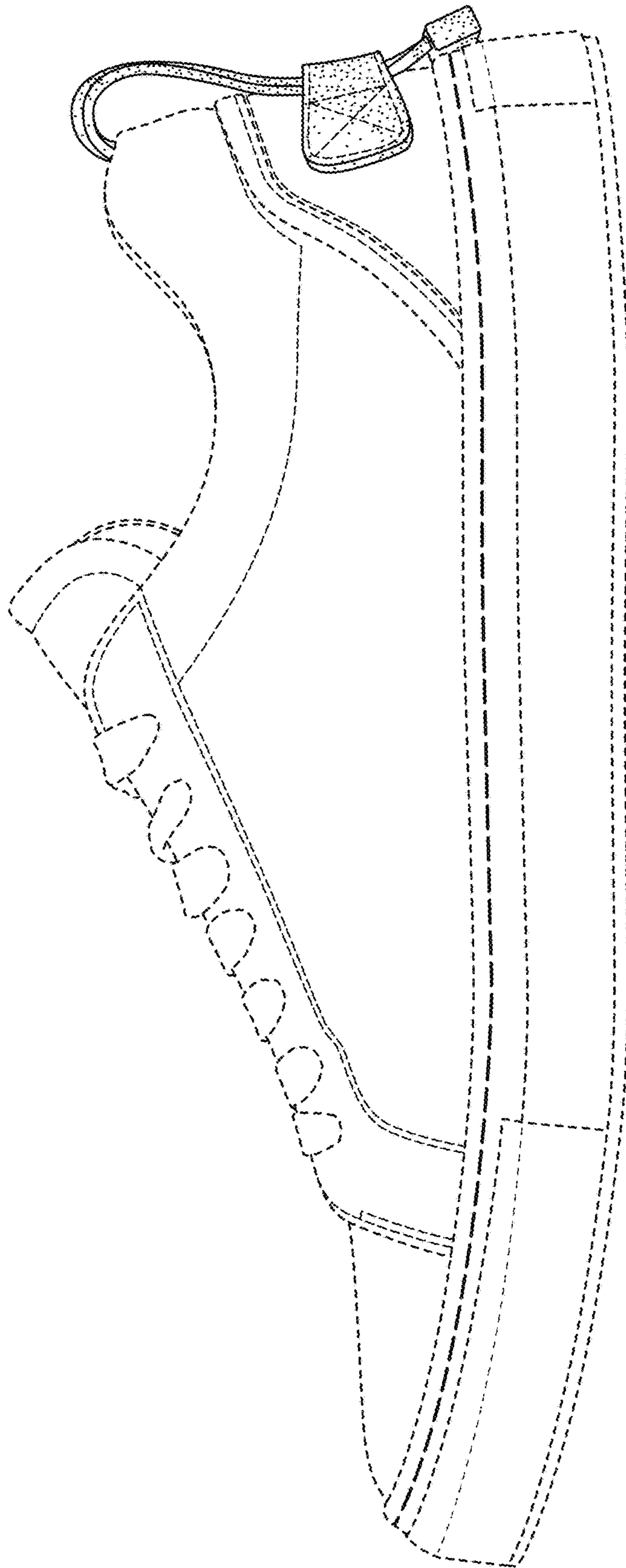


FIG. 5

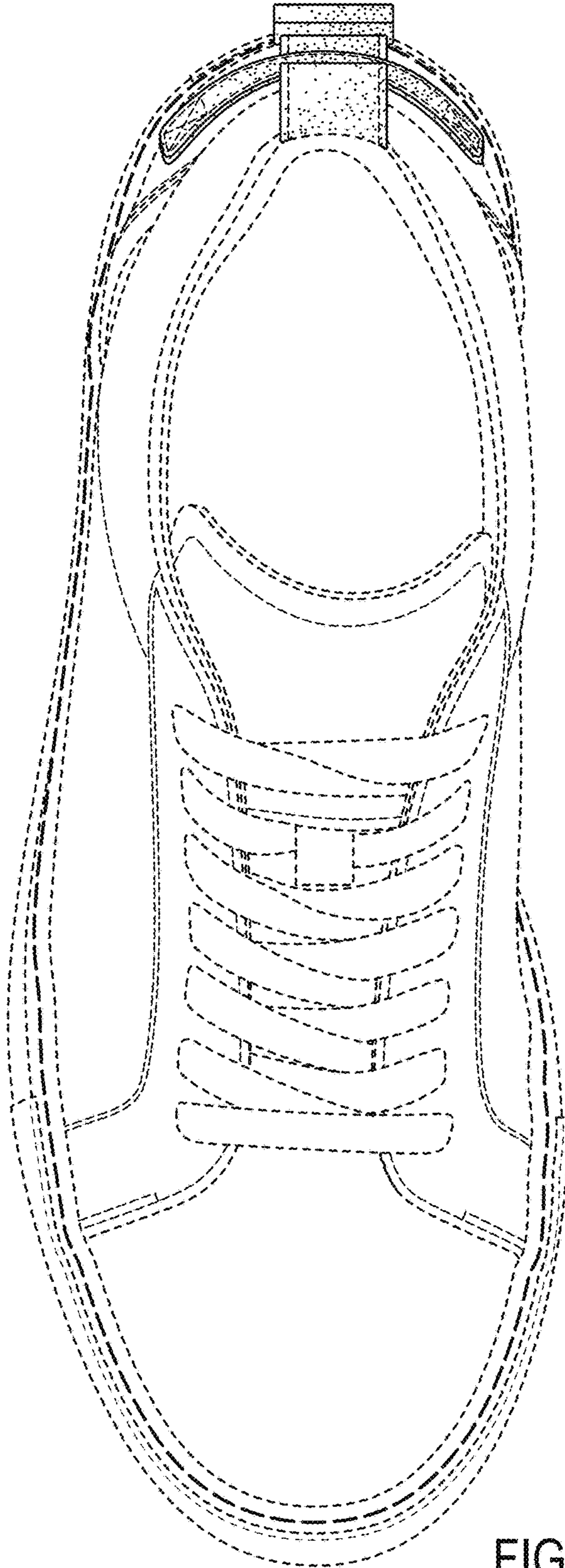


FIG. 6

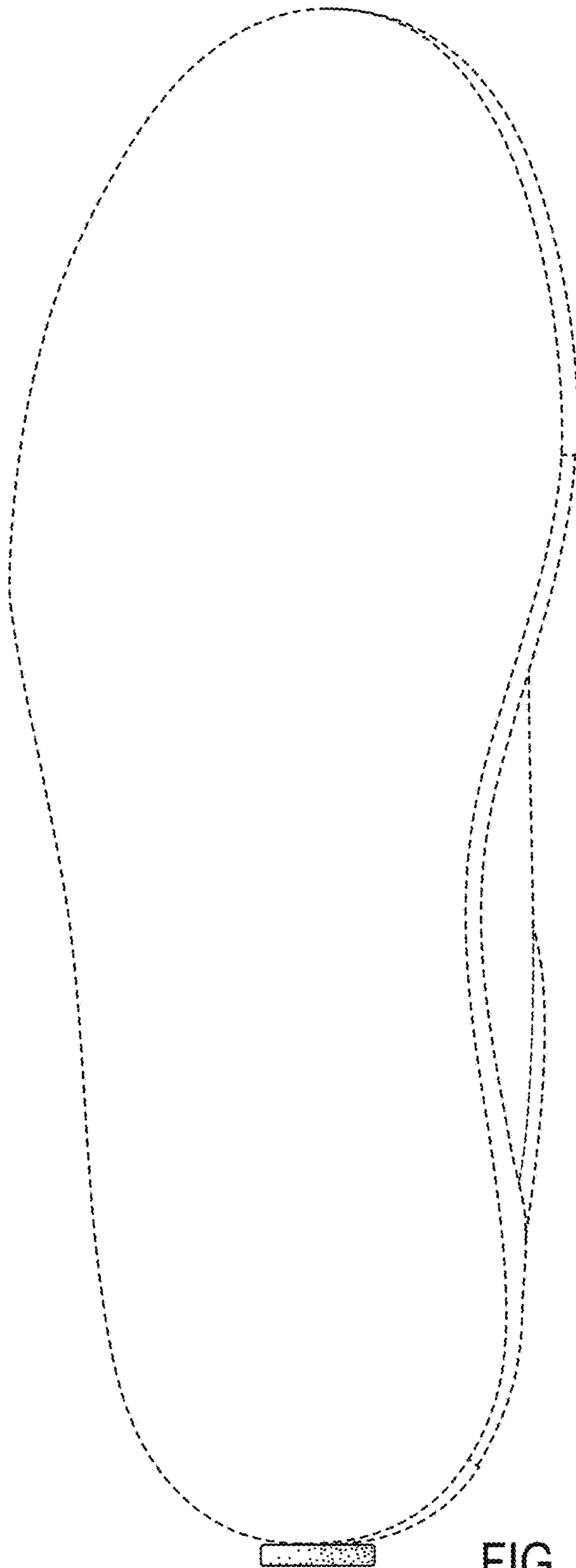


FIG. 7