



US00D827252S

(12) **United States Design Patent** (10) **Patent No.:** **US D827,252 S**
Salamat (45) **Date of Patent:** **** Sep. 4, 2018**

(54) **SUPPORTIVE PANTS**

(71) Applicant: **ROCKFIT, LLC.**, Bell, CA (US)

(72) Inventor: **Nazanine Salamat**, Bell, CA (US)

(73) Assignee: **ROCKFIT, LLC.**, Bell, CA (US)

(**) Term: **15 Years**

(21) Appl. No.: **29/598,817**

(22) Filed: **Mar. 29, 2017**

(51) **LOC (11) Cl.** **02-02**

(52) **U.S. Cl.**
USPC **D2/731; D2/742**

(58) **Field of Classification Search**
USPC D2/731, 742, 738, 748, 747; 450/95;
2/406, 227
CPC A41D 7/00; A41D 7/001; A41D 7/005;
A41D 7/006; A41D 1/00; A41D 1/06
See application file for complete search history.

(56) **References Cited**

U.S. PATENT DOCUMENTS

- 7,814,576 B2 * 10/2010 Nakazawa A41D 13/0015
2/227
- D693,989 S * 11/2013 Tanaka D2/742
- D698,520 S * 2/2014 Anderson D2/742
- D741,574 S * 10/2015 Michaeloff D2/742
- D746,545 S * 1/2016 Kositchiranant D2/742
- D764,754 S * 8/2016 McManus D2/742
- D765,346 S * 9/2016 Harris D2/742
- D778,032 S * 2/2017 Lago D2/742
- D786,534 S * 5/2017 Alligood D2/731
- D809,247 S * 2/2018 Terrell D2/738
- D811,044 S * 2/2018 Lomax D2/731

- D812,348 S * 3/2018 McManus D2/742
- D812,856 S * 3/2018 Korver D2/742
- 2008/0189834 A1 * 8/2008 Leung A41B 9/08
2/406
- 2011/0314590 A1 * 12/2011 Perron A41D 13/0015
2/227
- 2013/0316617 A1 * 11/2013 Freddi A41D 1/08
450/95
- 2015/0143855 A1 * 5/2015 Nygard A41D 1/06
66/177

* cited by examiner

Primary Examiner — Robin V Webster

Assistant Examiner — James C Thorn, Sr.

(74) *Attorney, Agent, or Firm* — Tutunjian & Bitetto, P.C.

(57) **CLAIM**

The ornamental design for a supportive pants, as shown and described.

DESCRIPTION

FIG. 1 is a perspective view showing my new design for a supportive pants;

FIG. 2 is a front view thereof;

FIG. 3 is a rear view thereof;

FIG. 4 is a left side view thereof;

FIG. 5 is a right side view thereof;

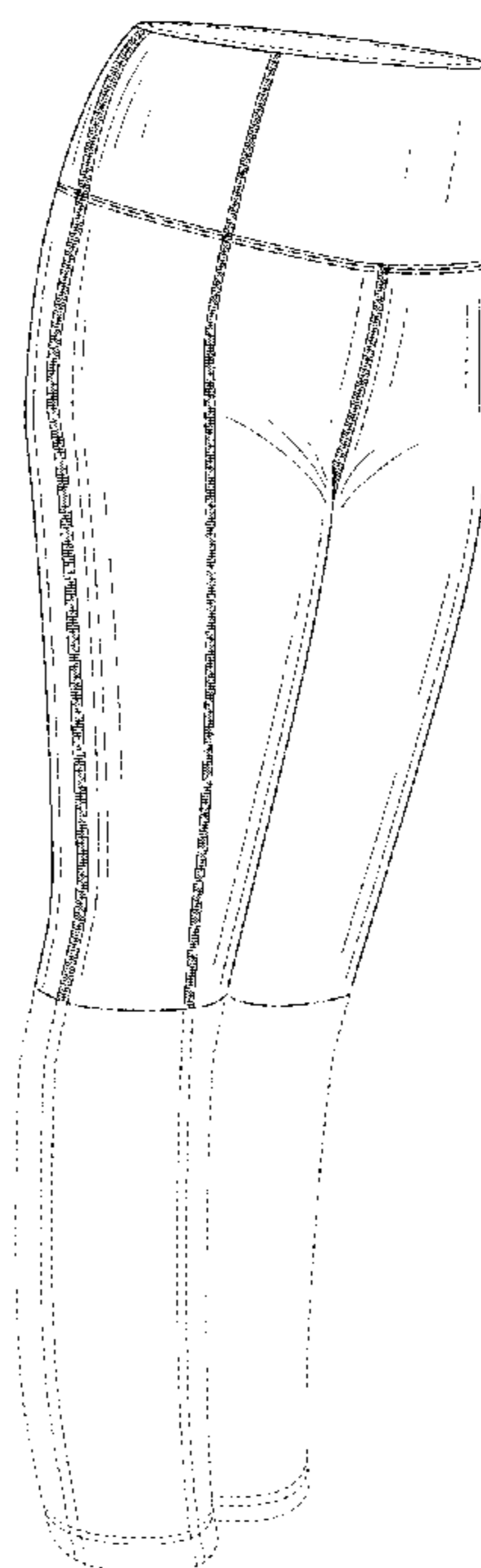
FIG. 6 is a top view thereof; and,

FIG. 7 is a bottom view thereof.

The stitching indicated by the dashed line with overlapping solid line forms no part of the claimed design.

The broken lines in the drawings form no part of the claimed design.

1 Claim, 5 Drawing Sheets



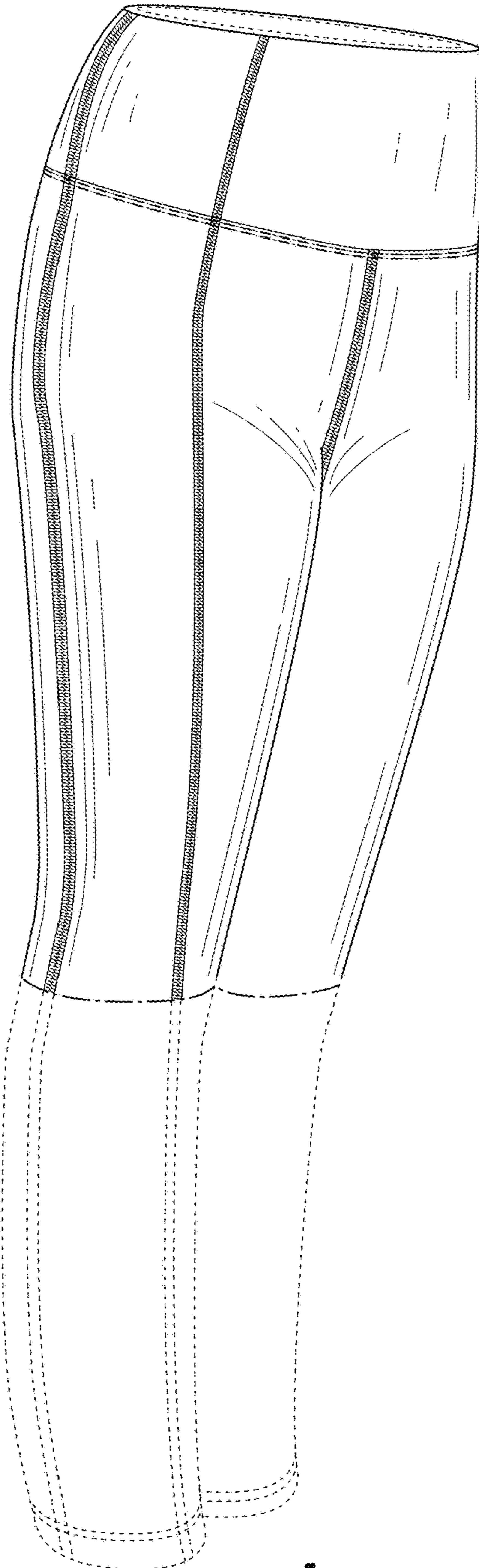


FIG. 1

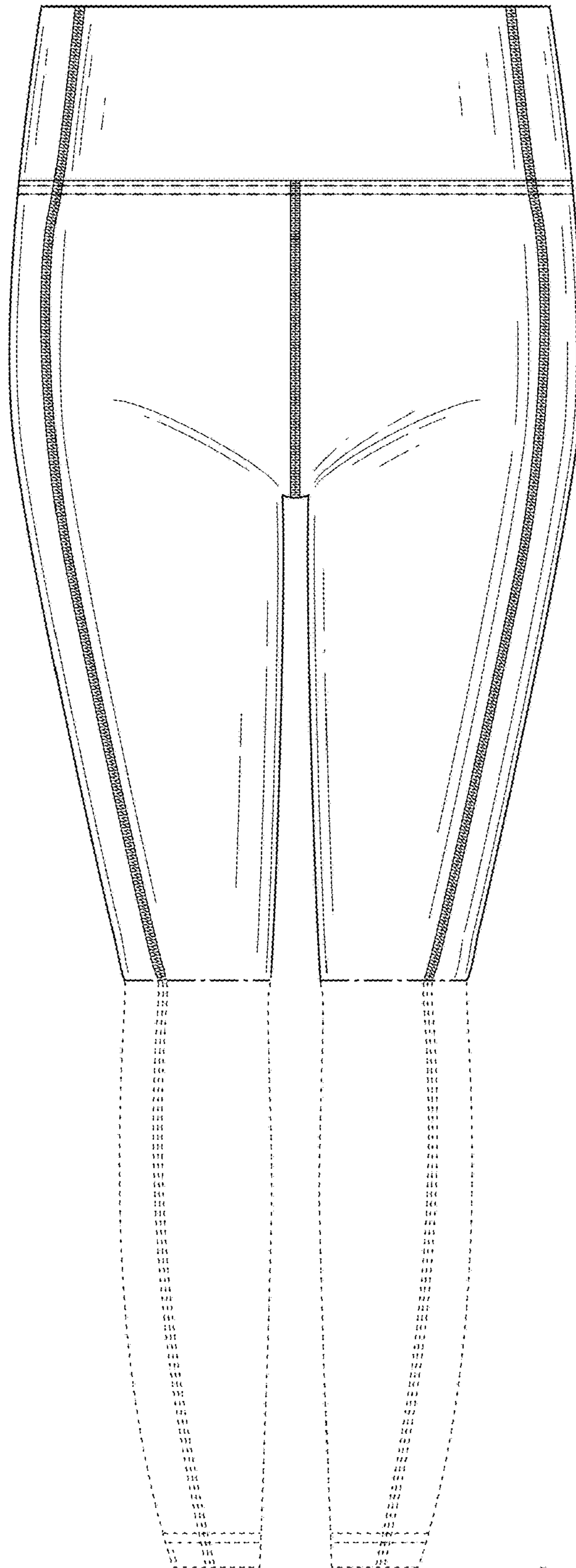


FIG. 2

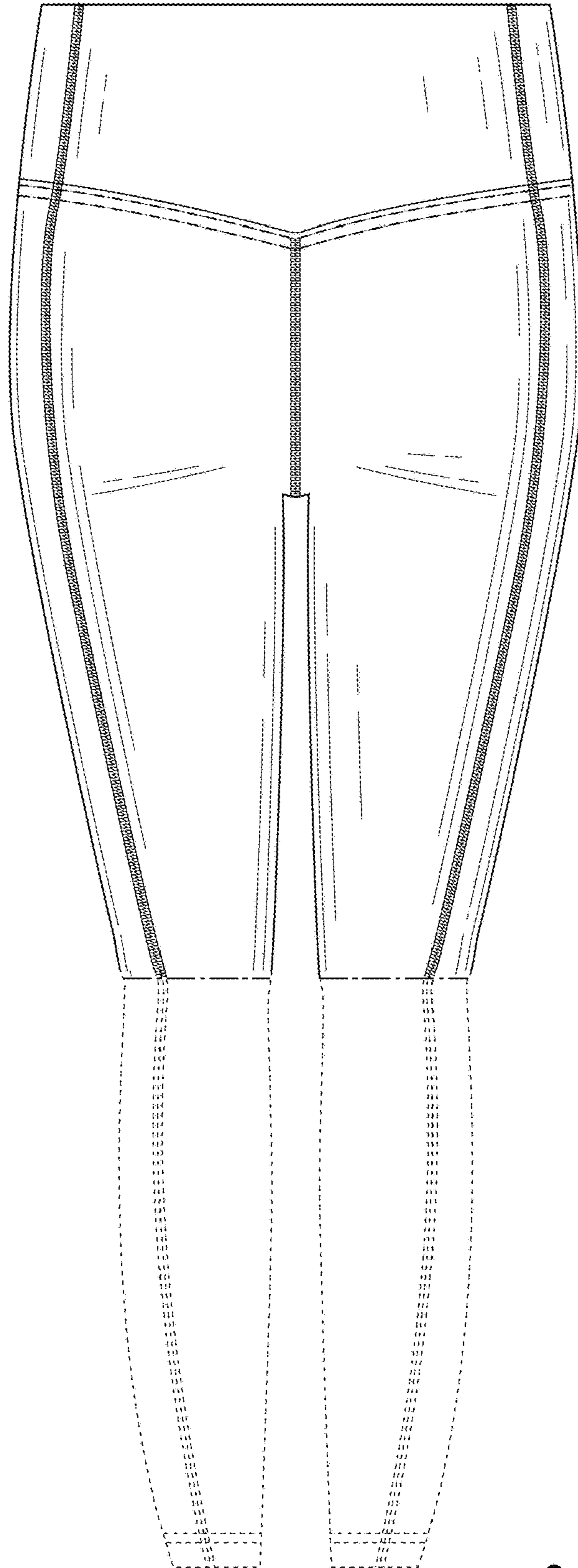


FIG. 3

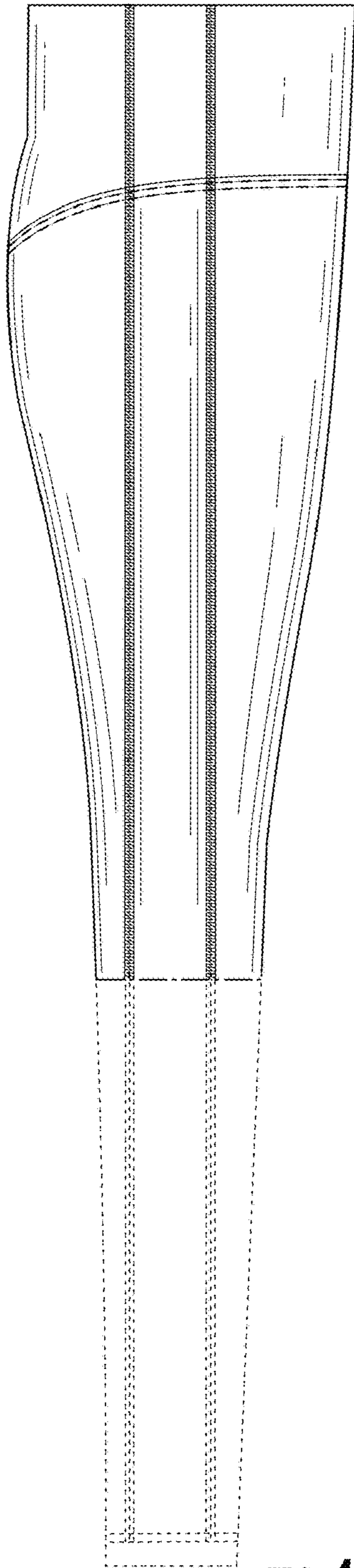


FIG. 4

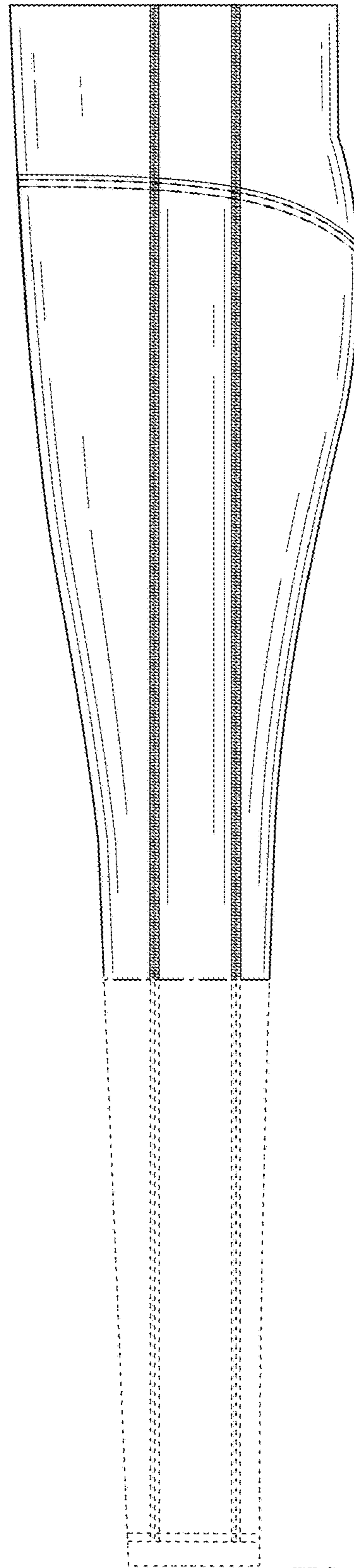


FIG. 5

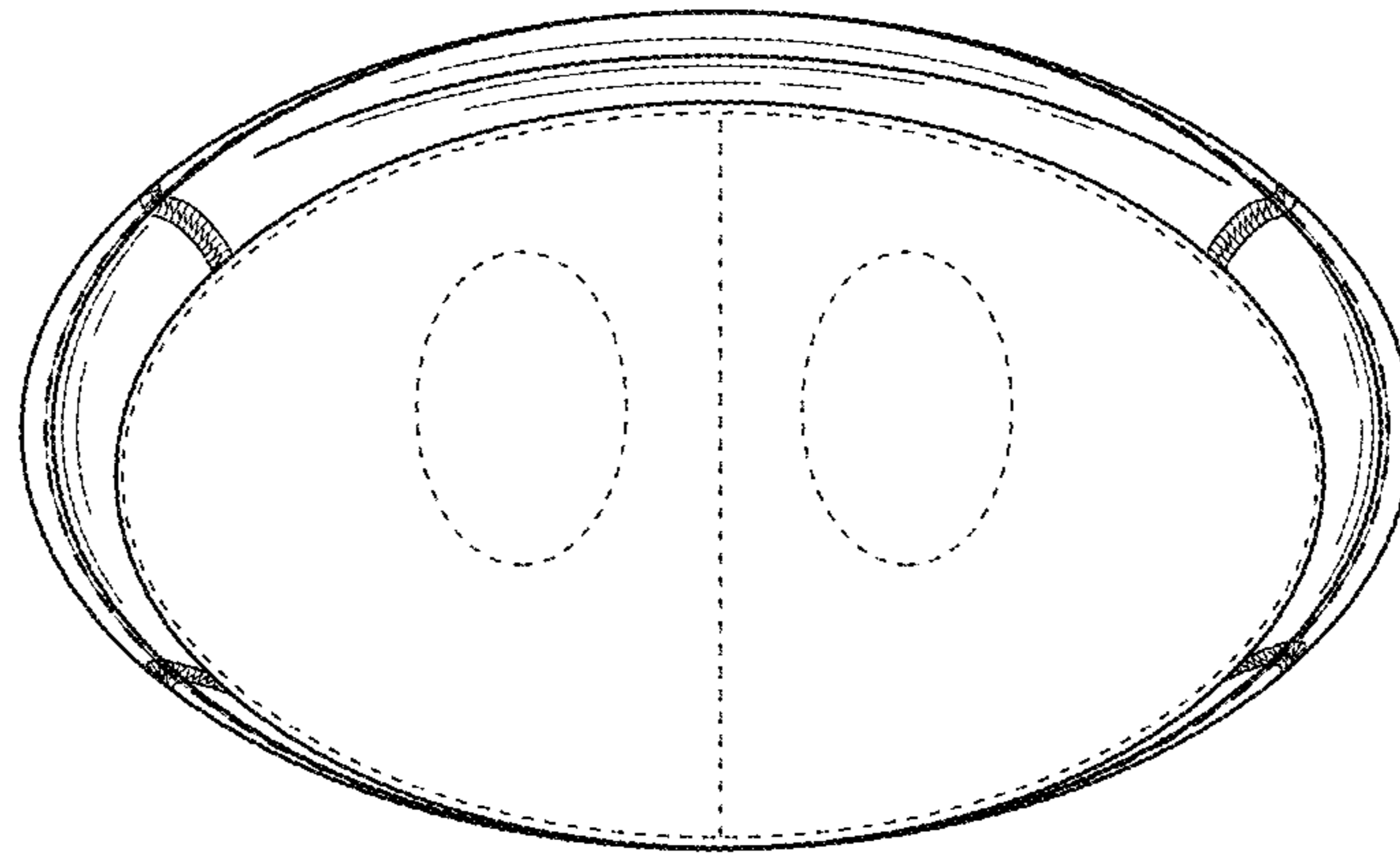


FIG. 6

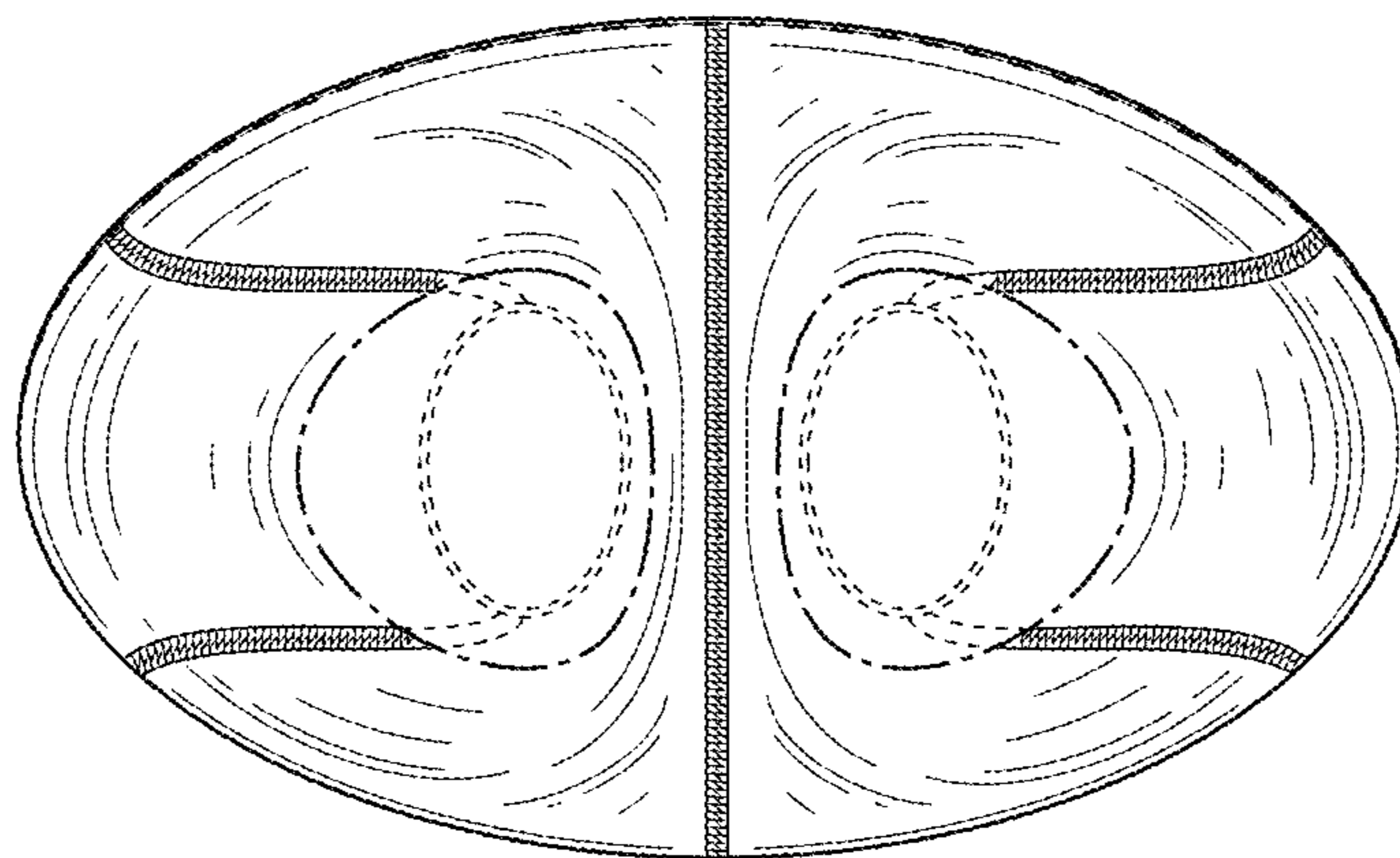


FIG. 7