



US00D827244S

(12) **United States Design Patent** (10) **Patent No.:** **US D827,244 S**  
**Hoock et al.** (45) **Date of Patent:** **\*\* Aug. 28, 2018**

(54) **FORKLIFTS**  
(71) Applicant: **Hyster-Yale Group, Inc.**, Fairview, OR (US)  
(72) Inventors: **Michael Hoock**, Wuppertal (DE); **Nikke Hyvonen**, Turku (FI); **Heidi Hautala**, Turku (FI); **Matti Makkonen**, Turku (FI); **Harri Alanen**, Turku (FI)  
(73) Assignee: **HYSTER-YALE GROUP, INC.**, Fairview, OR (US)

D640,855 S 6/2011 Ruppert  
D684,333 S 6/2013 Knie  
D717,514 S 11/2014 Miggels  
D720,114 S 12/2014 Stark  
D730,614 S 5/2015 Wu  
D733,389 S 6/2015 Wu  
D734,915 S 7/2015 Nopper  
D769,567 S \* 10/2016 Hoock ..... D34/34  
2007/0080024 A1 4/2007 Langenkamp  
2008/0202858 A1 8/2008 Borchers  
2012/0275892 A1 11/2012 Allerdig

(\*\*) Term: **15 Years**  
(21) Appl. No.: **29/576,713**  
(22) Filed: **Sep. 6, 2016**

\* cited by examiner  
*Primary Examiner* — Cynthia Ramirez  
(74) *Attorney, Agent, or Firm* — Schwabe Williams & Wyatt

**Related U.S. Application Data**

(62) Division of application No. 29/487,022, filed on Apr. 4, 2014, now Pat. No. Des. 769,567.  
(51) **LOC (11) Cl.** ..... **12-05**  
(52) **U.S. Cl.**  
USPC ..... **D34/34; D34/35**  
(58) **Field of Classification Search**  
USPC ..... D34/28, 34, 35  
CPC ..... B60N 2/4693; B66F 9/06; B66F 9/07554; B66F 9/07545; B66F 9/12; B66F 17/003  
See application file for complete search history.

(57) **CLAIM**

We claim the ornamental design for forklifts, as shown and described.

**DESCRIPTION**

This application is a divisional of U.S. Design patent application No. 29/416,613, filed Mar. 23, 2012, which is hereby incorporated by reference in its entirety.  
FIG. 1 is a rear view of a configuration for a forklift;  
FIG. 2 is a right view of the forklift of FIG. 1;  
FIG. 3 is a left view of the forklift of FIG. 1;  
FIG. 4 is a right, rear isometric view of the forklift of FIG. 1; and,  
FIG. 5 is a left, rear isometric view of the forklift of FIG. 1.  
In FIGS. 1-5, the broken lines indicate environmental features and form no part of the claimed design.

(56) **References Cited**  
U.S. PATENT DOCUMENTS

5,890,563 A 4/1999 Bartels  
D539,503 S 3/2007 Quinlan, Jr.

**1 Claim, 5 Drawing Sheets**

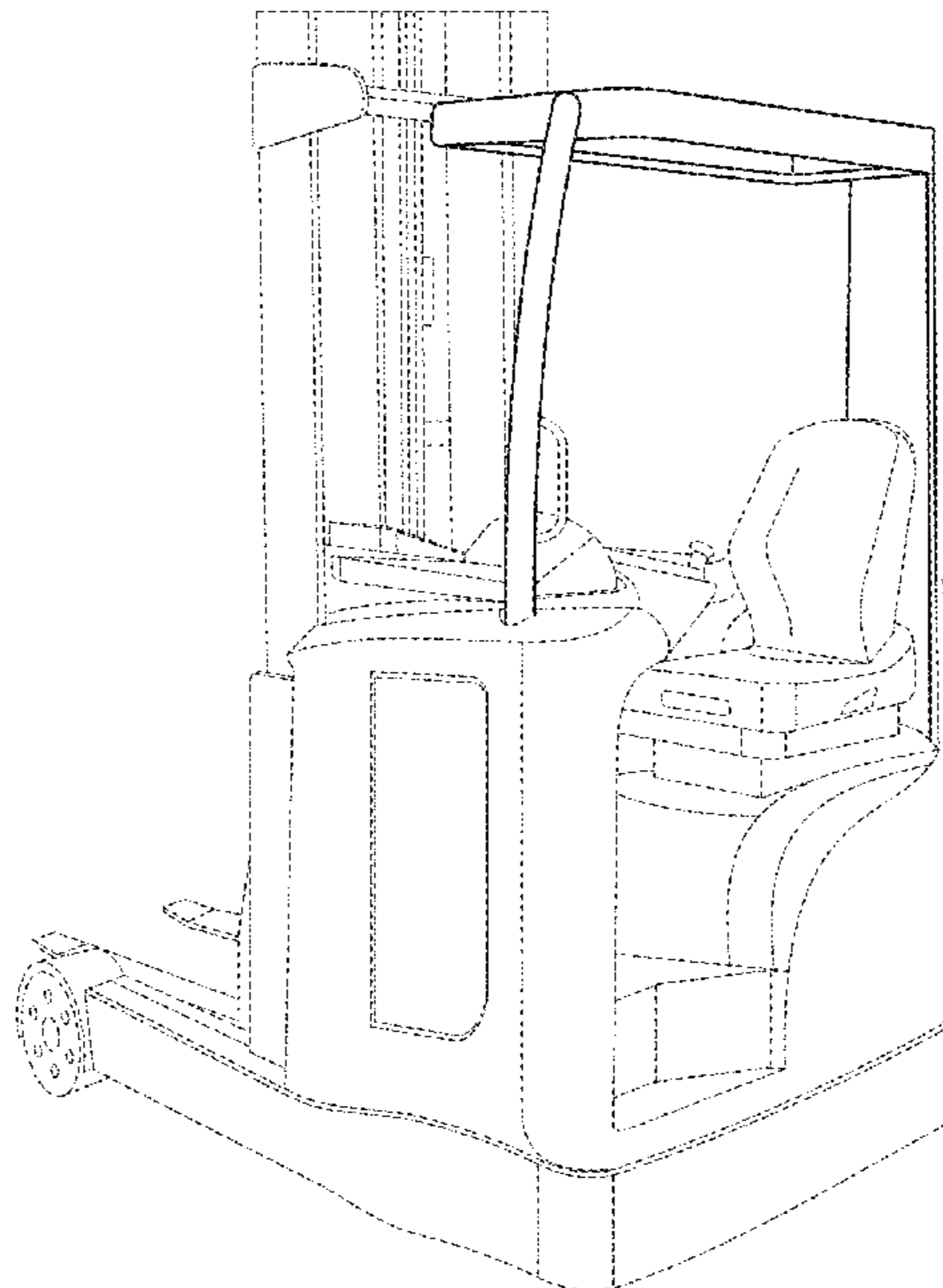


Fig. 1

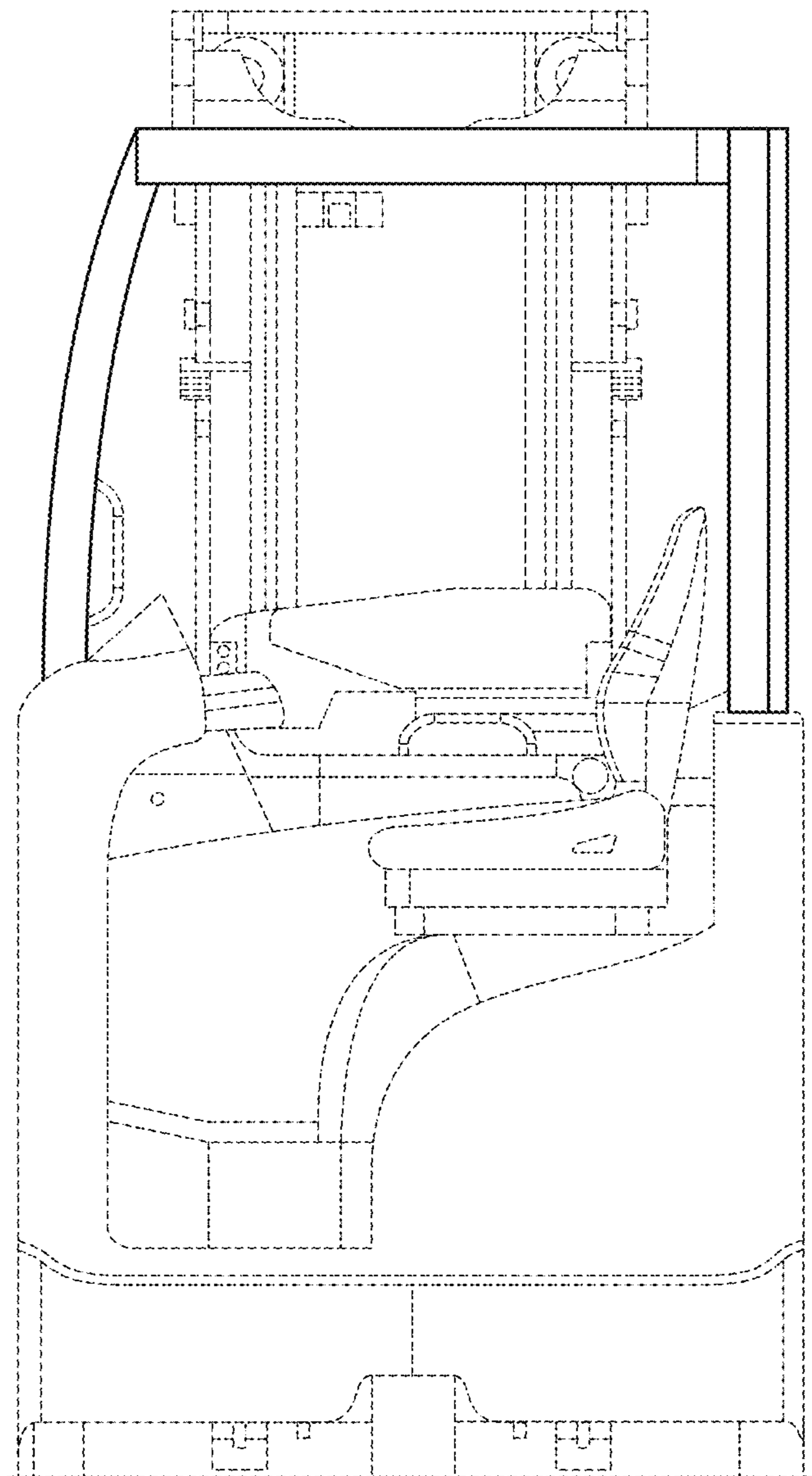


Fig. 2

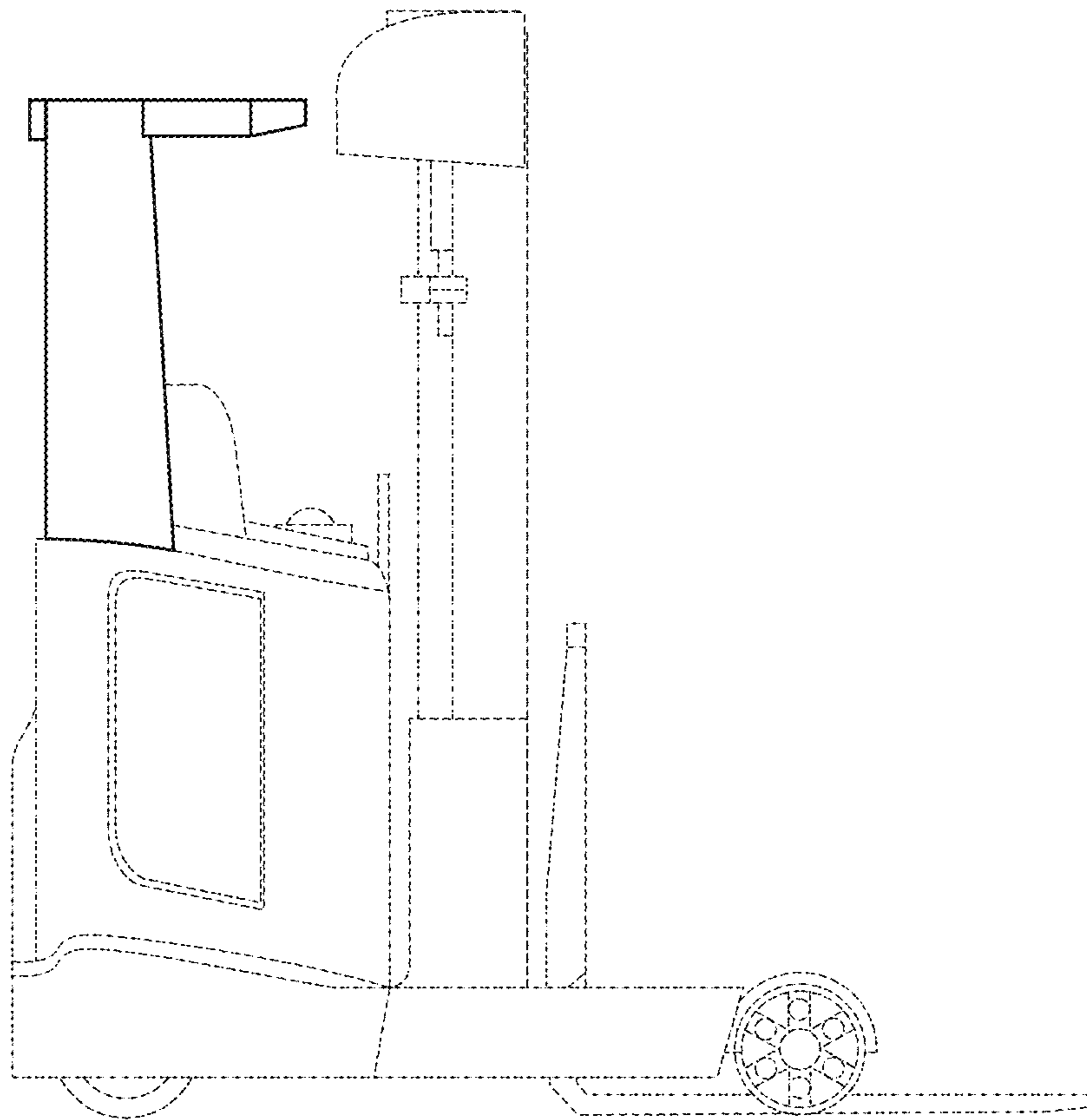


Fig. 3

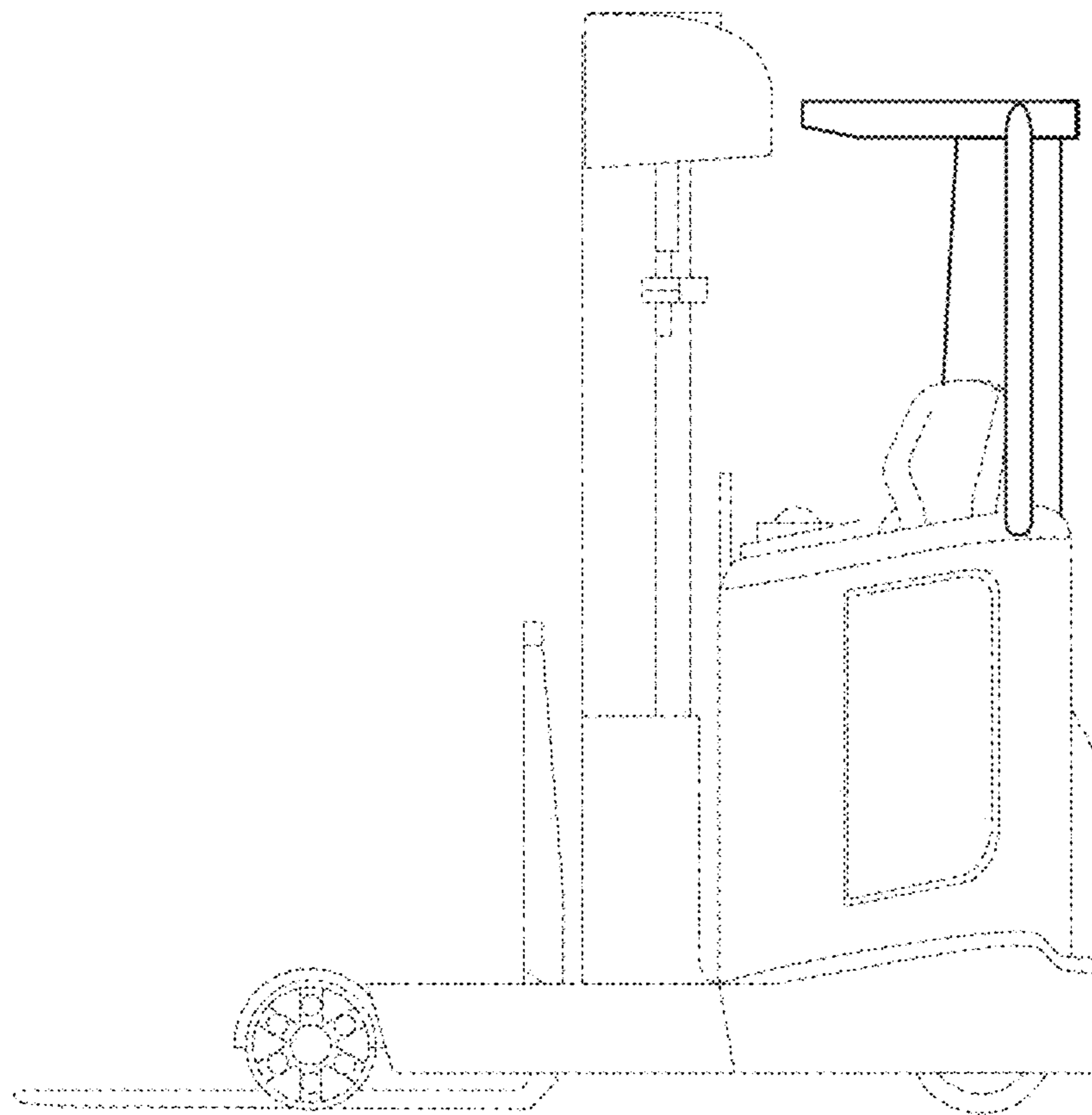


Fig. 4

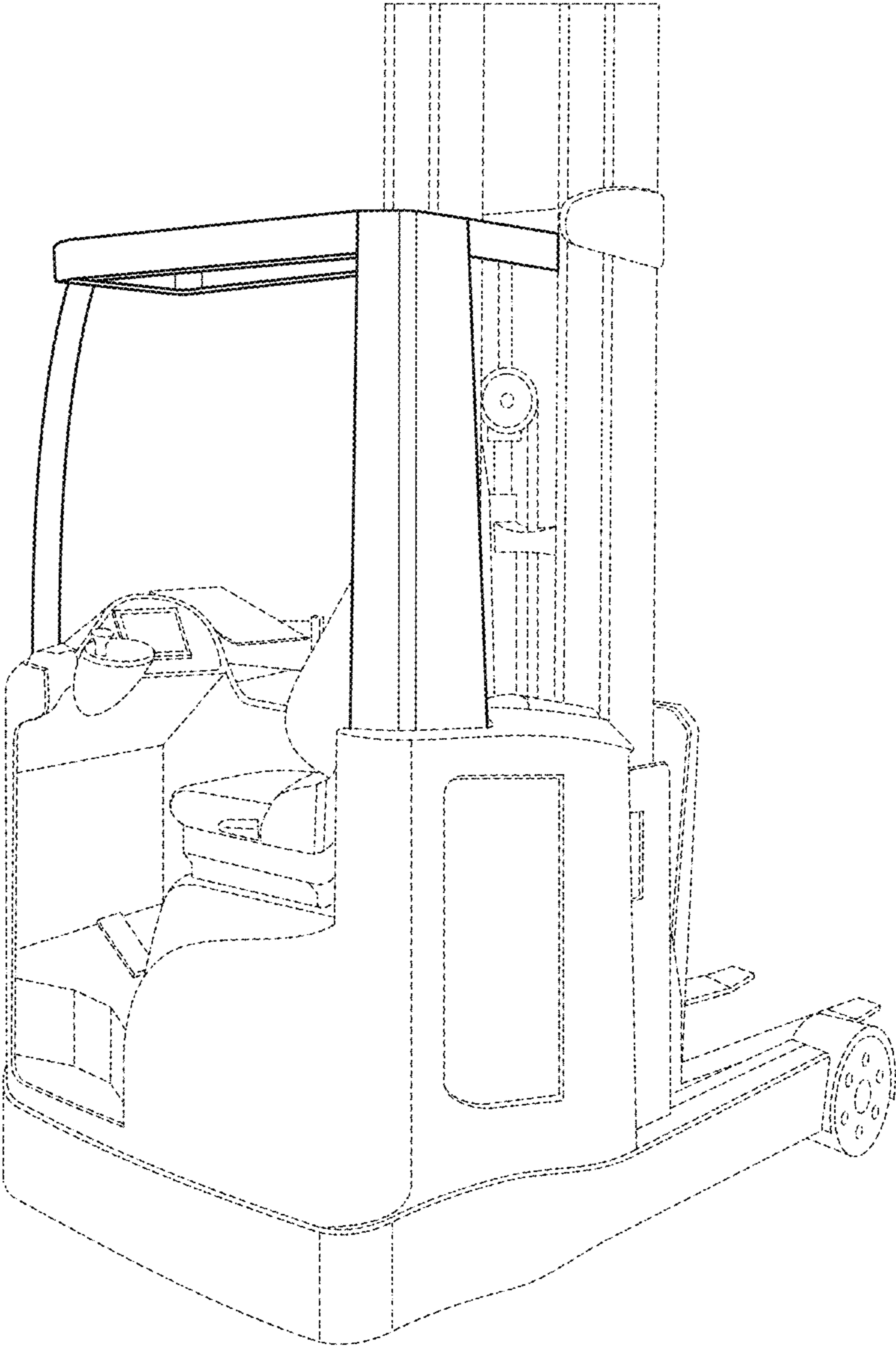


Fig. 5

