



US00D827243S

(12) **United States Design Patent** (10) **Patent No.:** **US D827,243 S**
Katsuno et al. (45) **Date of Patent:** **** Aug. 28, 2018**

(54) **CRANE**

(56) **References Cited**

(71) Applicant: **MAEDA SEISAKUSHO CO., LTD.,**
Nagano (JP)

(72) Inventors: **Tomoyuki Katsuno**, Nagano (JP);
Ryosuke Nakamura, Nagano (JP);
Goki Nakazono, Nagano (JP); **Wataru**
Hisata, Nagano (JP)

(73) Assignee: **MAEDA SEISAKUSHO CO., LTD.,**
Nagano-Shi, Nagano (JP)

(**) Term: **15 Years**

(21) Appl. No.: **35/502,328**

(22) Filed: **Jul. 25, 2016**

(80) **Hague Agreement Data**

Int. Filing Date: **Jul. 25, 2016**

Int. Reg. No.: **DM/091911**

Int. Reg. Date: **Jul. 25, 2016**

Int. Reg. Pub. Date: **Jan. 27, 2017**

(51) **LOC (11) Cl.** **12-05**

(52) **U.S. Cl.**
USPC **D34/33**

(58) **Field of Classification Search**
USPC D34/28, 33; 212/276, 277, 301-303,
212/223, 255, 271
CPC B66C 13/14-13/22; B66C 13/06; B66C
23/76

See application file for complete search history.

U.S. PATENT DOCUMENTS

2,035,044	A *	3/1936	Carle	B66C 23/94 212/223
4,555,032	A *	11/1985	Mick	B66C 23/78 180/116
D666,375	S *	8/2012	Bohnacker	D34/33
D666,784	S *	9/2012	Bohnacker	D34/33
D683,514	S *	5/2013	Guo	D34/33
8,573,420	B2 *	11/2013	Noske	B62D 55/084 180/41
D734,577	S *	7/2015	Ludescher	D15/10
D737,538	S *	8/2015	Kameyama	D34/33
D738,064	S *	9/2015	Ludescher	D34/33
D783,220	S *	4/2017	Wedl	D34/33
2012/0152878	A1 *	6/2012	Ishihara	B66C 23/365 212/280
2012/0175333	A1 *	7/2012	Pech	B66C 23/82 212/177
2016/0289047	A1 *	10/2016	Albinger	B66C 13/16

* cited by examiner

Primary Examiner — Richard E Chilcot
(74) *Attorney, Agent, or Firm* — Buchanan Ingersoll &
Rooney PC

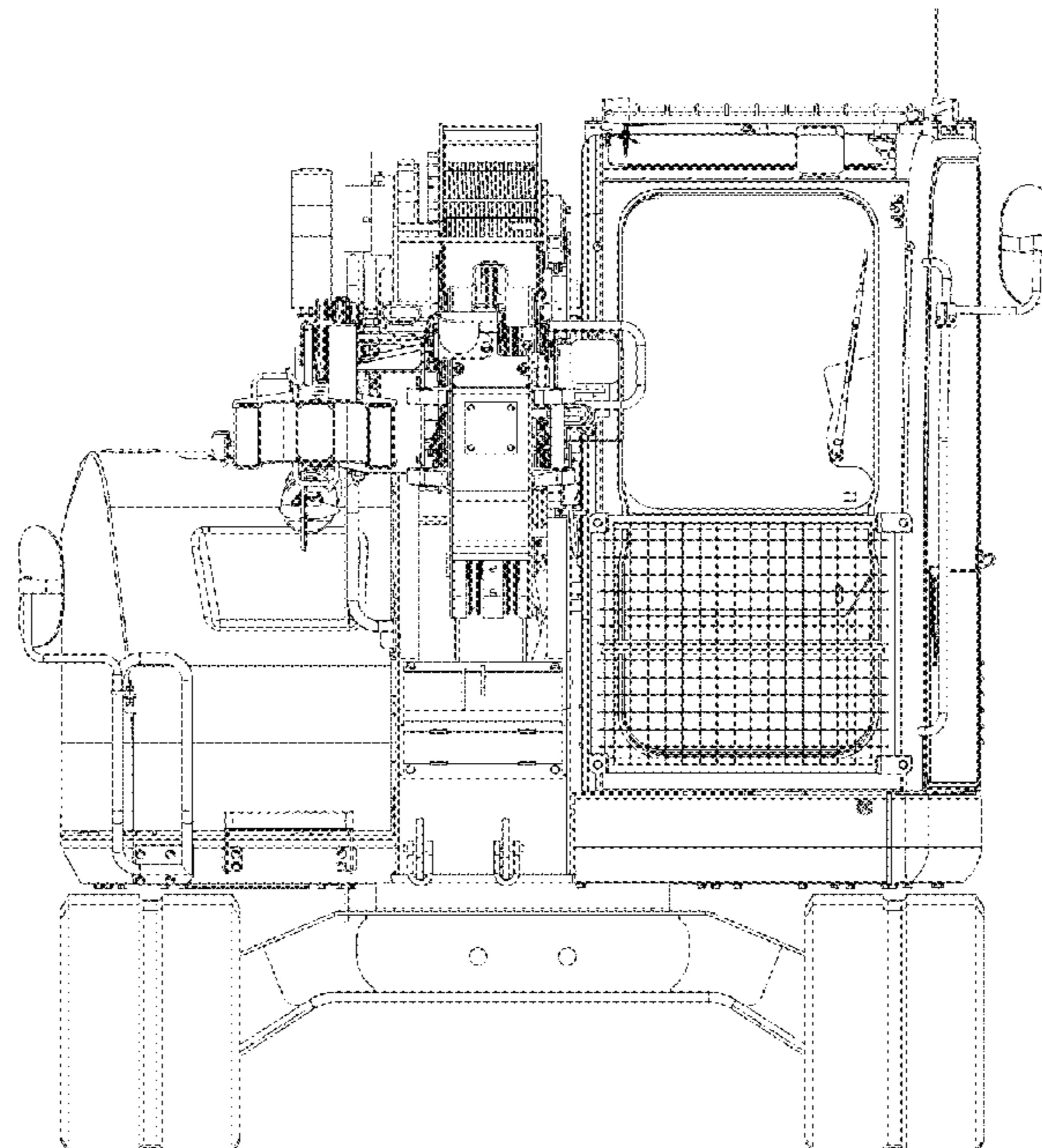
(57) **CLAIM**

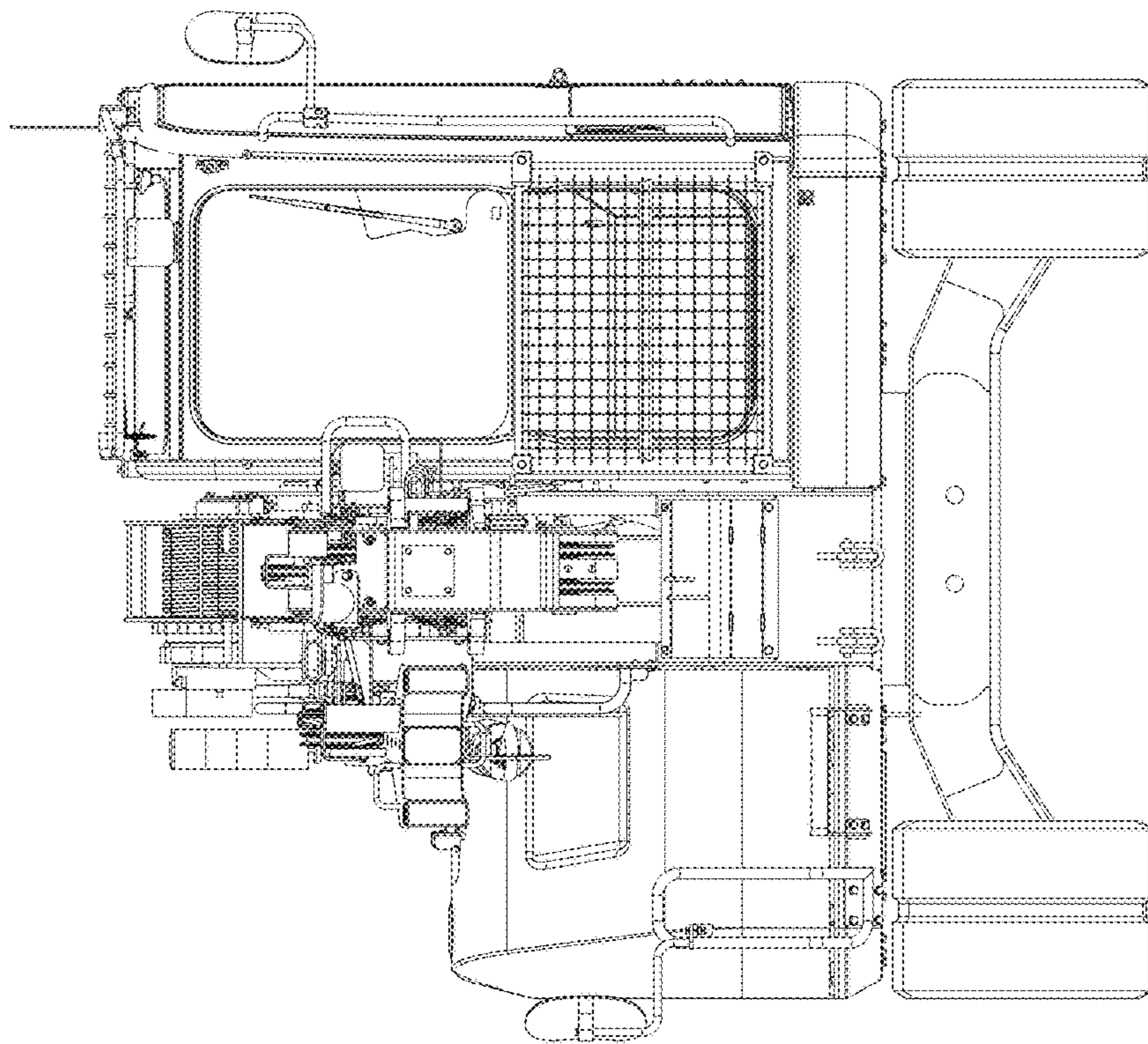
The ornamental design for a crane, as shown and described.

DESCRIPTION

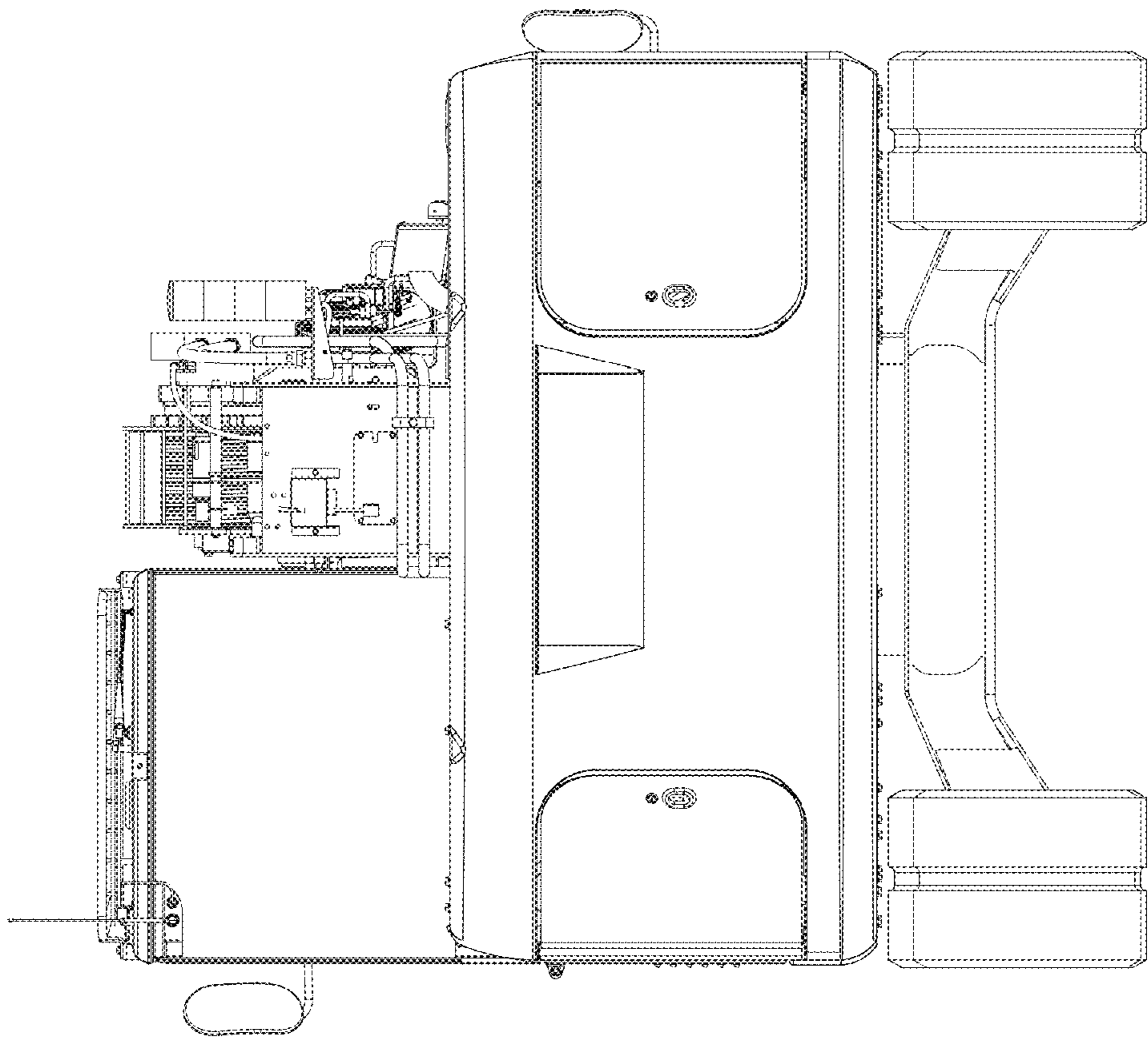
- 1. Crane
- 1.1 : Front
- 1.2 : Back
- 1.3 : Left
- 1.4 : Right
- 1.5 : Top

1 Claim, 5 Drawing Sheets

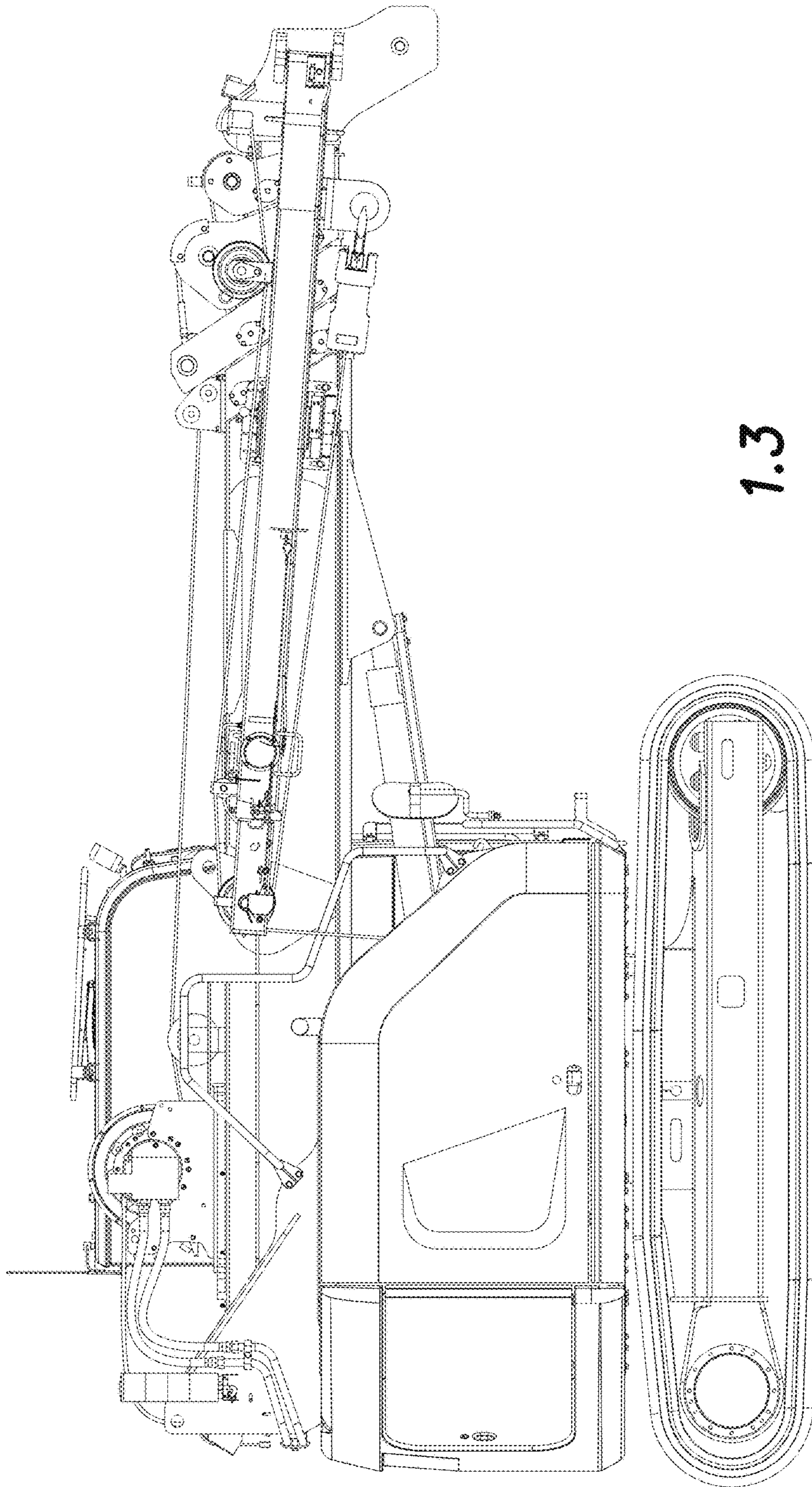


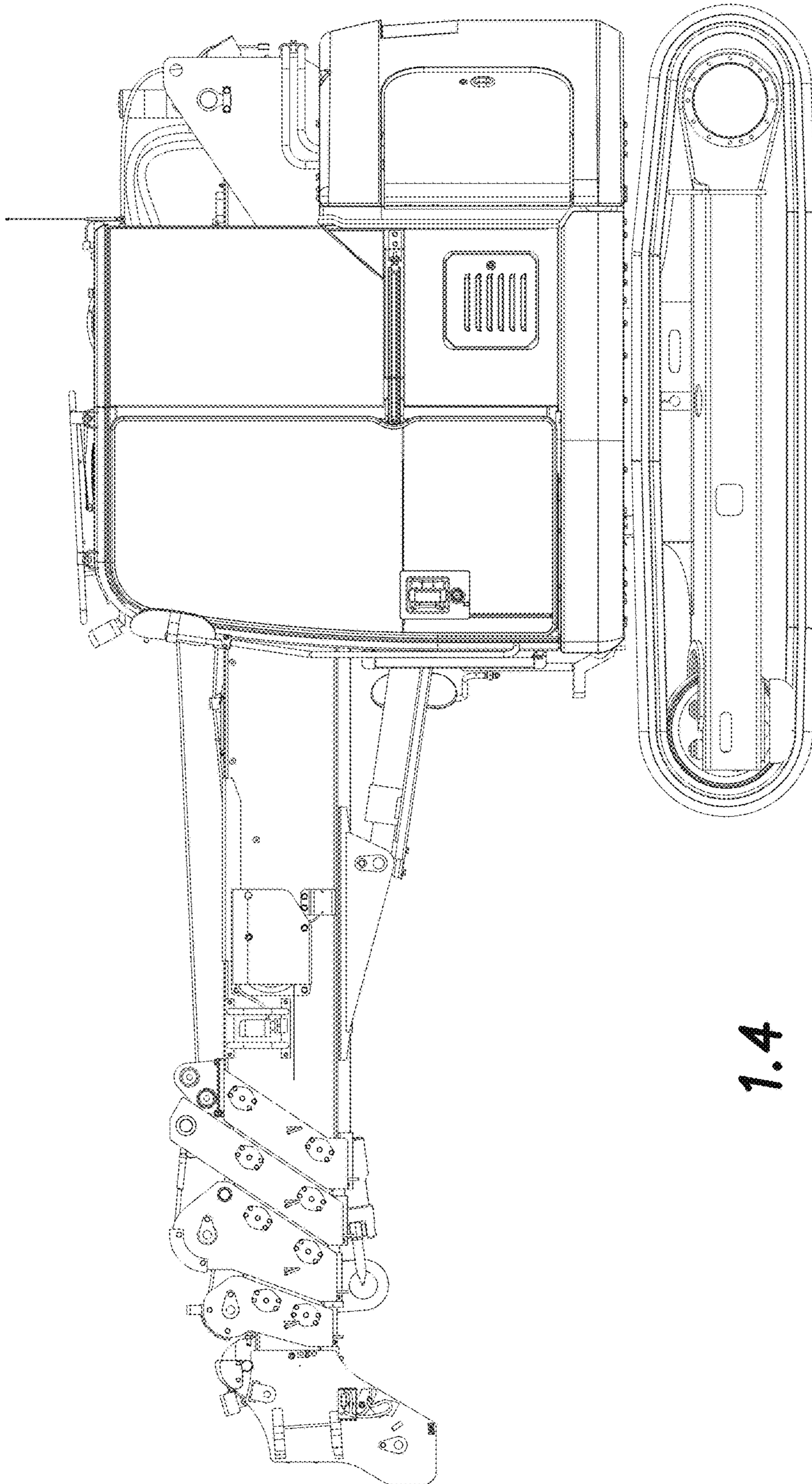


1.1

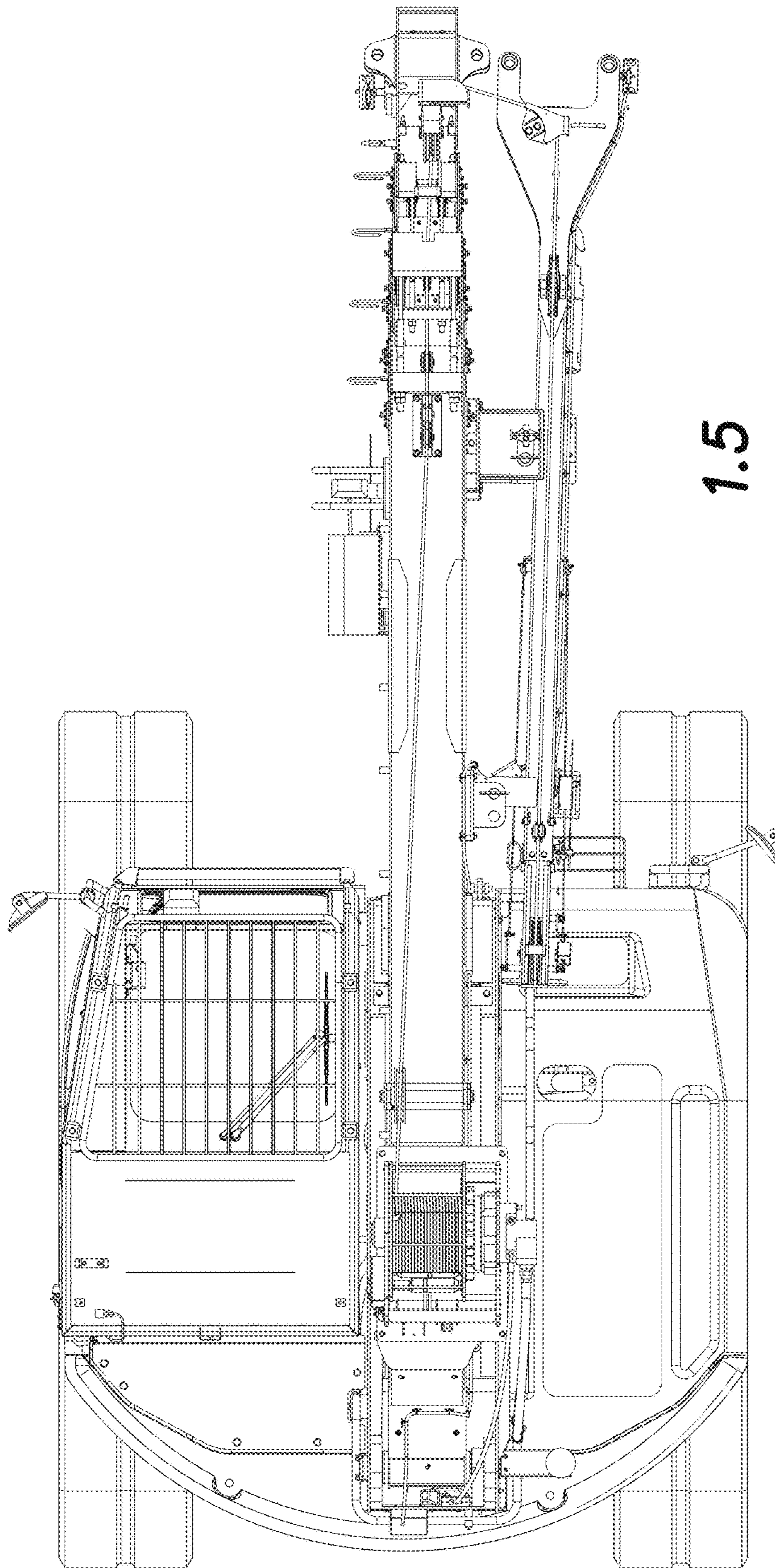


1.2





1.4



1.5