



US00D827242S

(12) **United States Design Patent**
Wang et al.

(10) **Patent No.:** **US D827,242 S**

(45) **Date of Patent:** **** Aug. 28, 2018**

(54) **HORIZONTAL JACK**

(56) **References Cited**

(71) Applicant: **CHANGSHU TONGRUN AUTO ACCESSORY CO., LTD**, Changshu, Jiangsu (CN)

U.S. PATENT DOCUMENTS

D272,670 S	*	2/1984	Tsujimura	D34/31
D421,516 S	*	3/2000	Hung	D34/31
D452,597 S	*	12/2001	Hung	D34/31
D590,121 S	*	4/2009	Shen	D34/31
D646,453 S	*	10/2011	Zhou	D34/31
D720,514 S	*	12/2014	Fox	D34/31
D730,612 S	*	5/2015	James	D34/31
D764,736 S	*	8/2016	Fox	D34/31

(72) Inventors: **Xiaoyang Wang**, Jiangsu (CN); **Chao Huang**, Jiangsu (CN)

(73) Assignee: **CHANGSHU TONGRUN AUTO ACCESSORY CO., LTD**, Changshu (CN)

* cited by examiner

Primary Examiner — Cynthia Ramirez
Assistant Examiner — Gino Colan

(**) Term: **15 Years**

(57) **CLAIM**

(21) Appl. No.: **29/617,417**

The ornamental design for a horizontal jack, as shown and described.

(22) Filed: **Sep. 13, 2017**

DESCRIPTION

(30) **Foreign Application Priority Data**

May 2, 2017 (CN) 2017 3 0155397

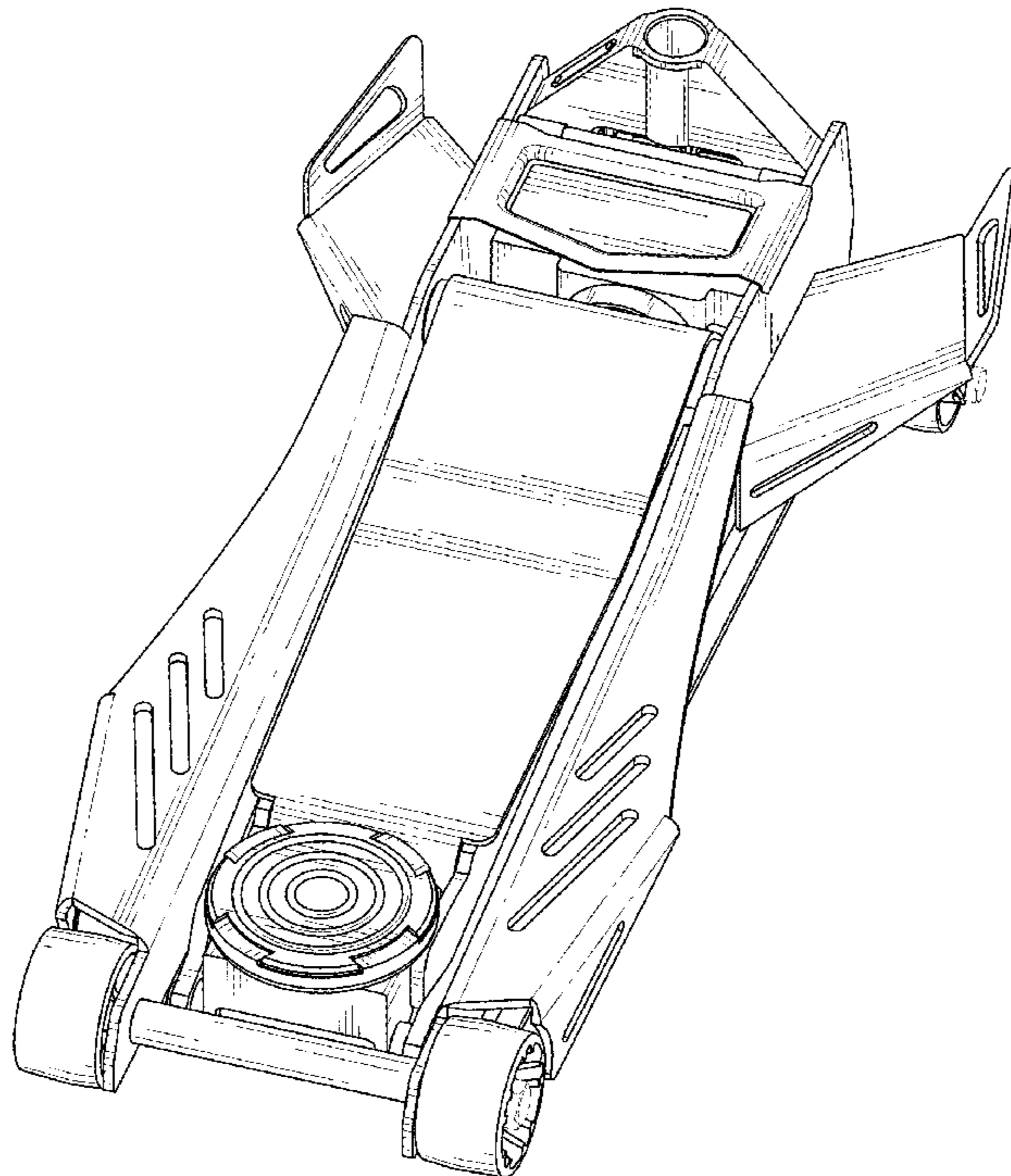
(51) **LOC (11) Cl.** **12-05**

(52) **U.S. Cl.**
USPC **D34/31**

(58) **Field of Classification Search**
USPC D34/28, 31, 33, 34, 35, 36; 254/8 B, 84, 254/11, 93 H, 2 B, 423
CPC B66F 13/00; B66F 1/06; B66F 7/18; B66F 5/00; B66F 1/00; B66F 3/00
See application file for complete search history.

FIG. 1 is a first perspective view of a horizontal jack showing our new design;
FIG. 2 is a second perspective view thereof;
FIG. 3 is a front elevational view thereof;
FIG. 4 is a rear elevational view thereof;
FIG. 5 is a left side view thereof;
FIG. 6 is a right side view thereof;
FIG. 7 is a top plan view thereof; and,
FIG. 8 is a bottom plan view thereof.
The broken lines in the drawings illustrate portions of the horizontal jack which form no part of the claimed design.

1 Claim, 8 Drawing Sheets



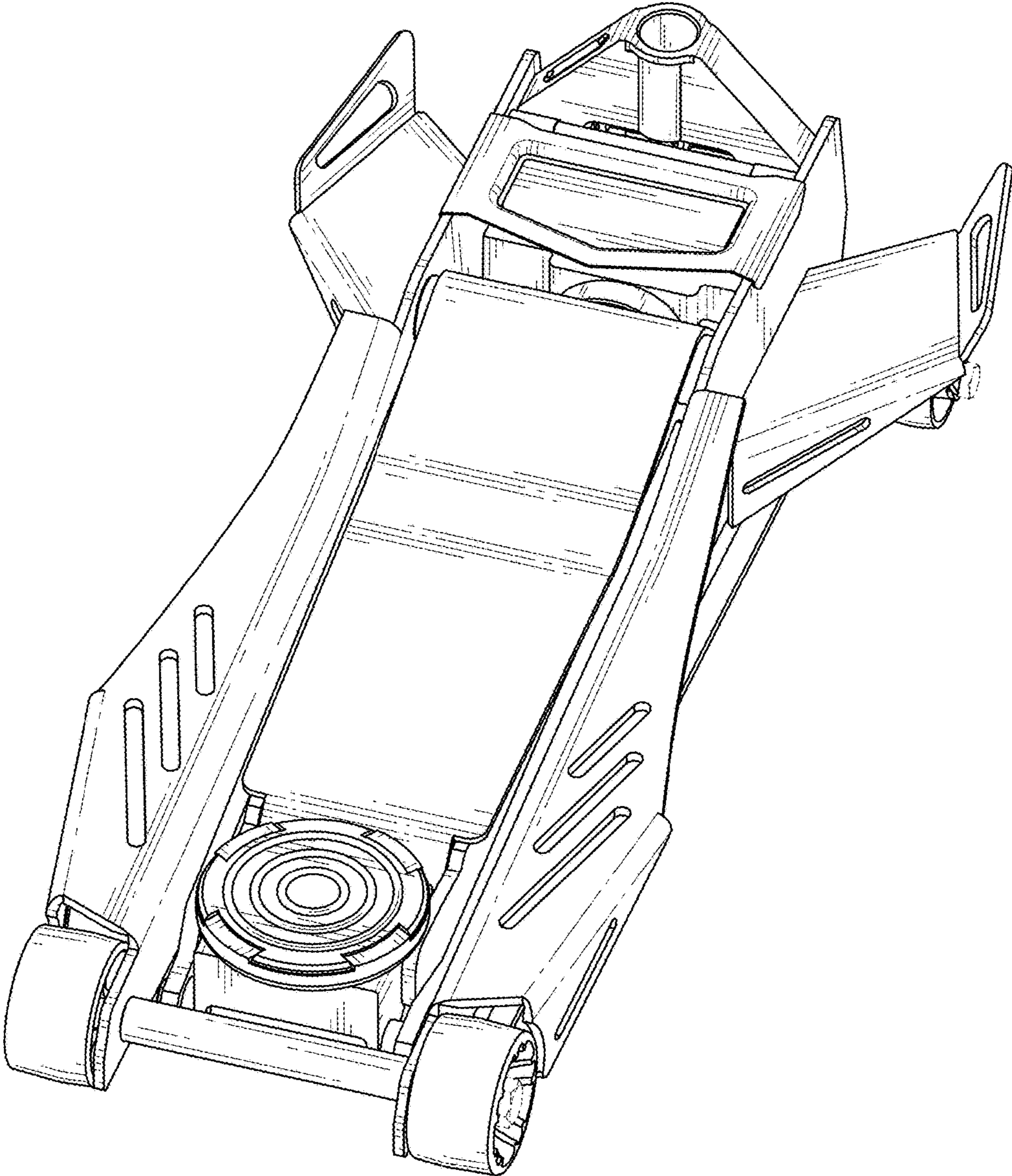


FIG. 1

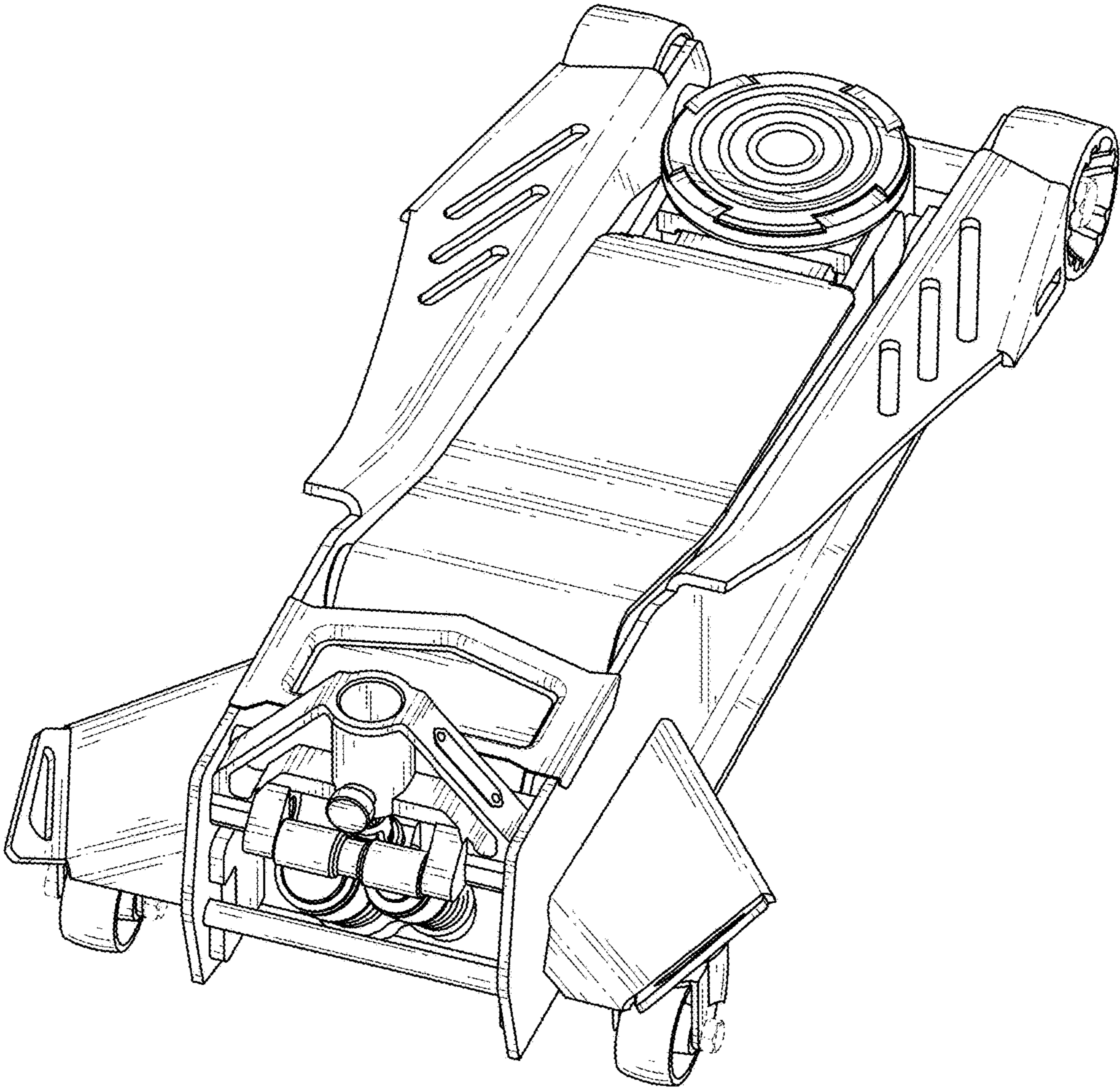


FIG. 2

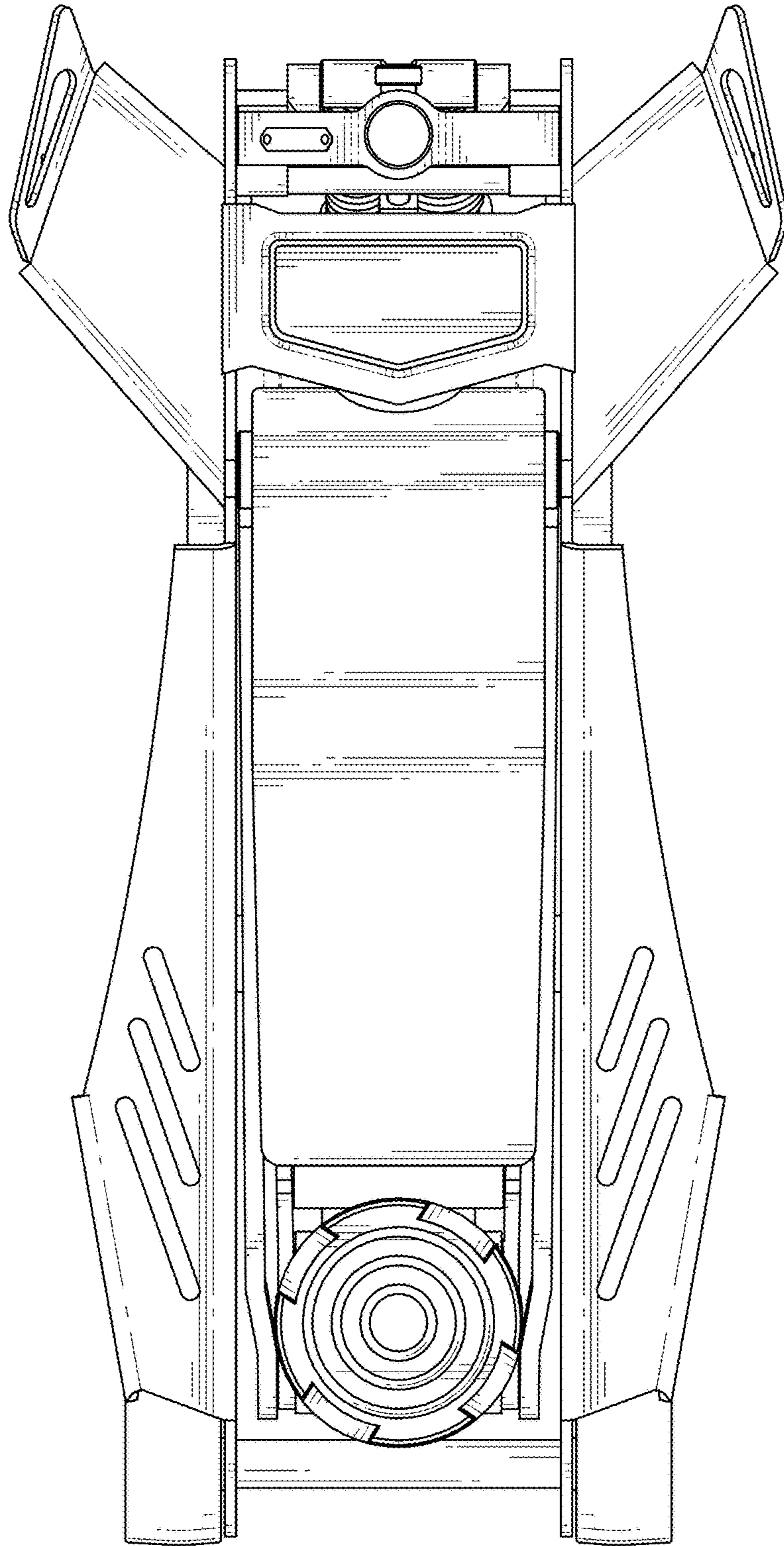


FIG. 3

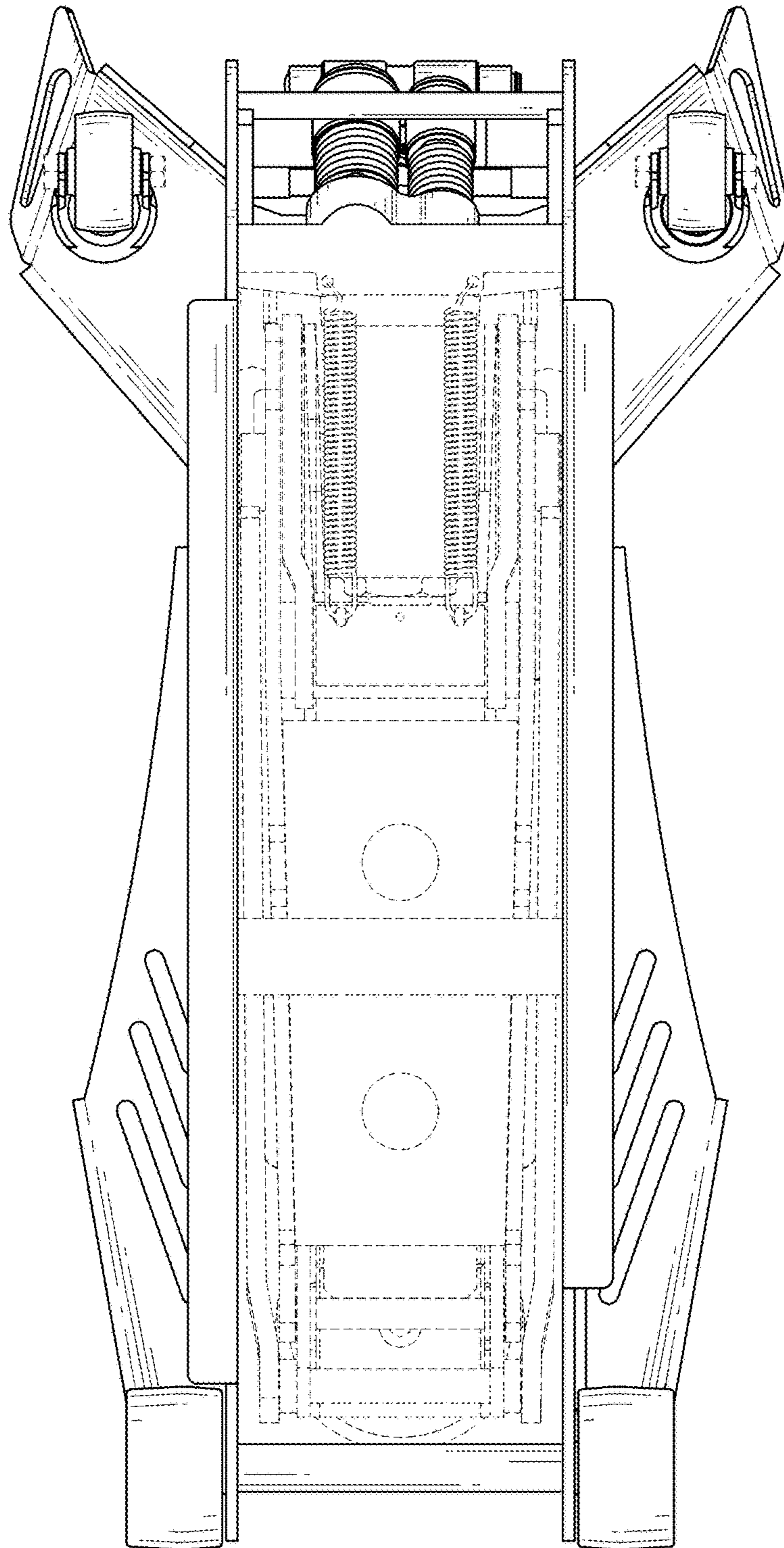


FIG. 4

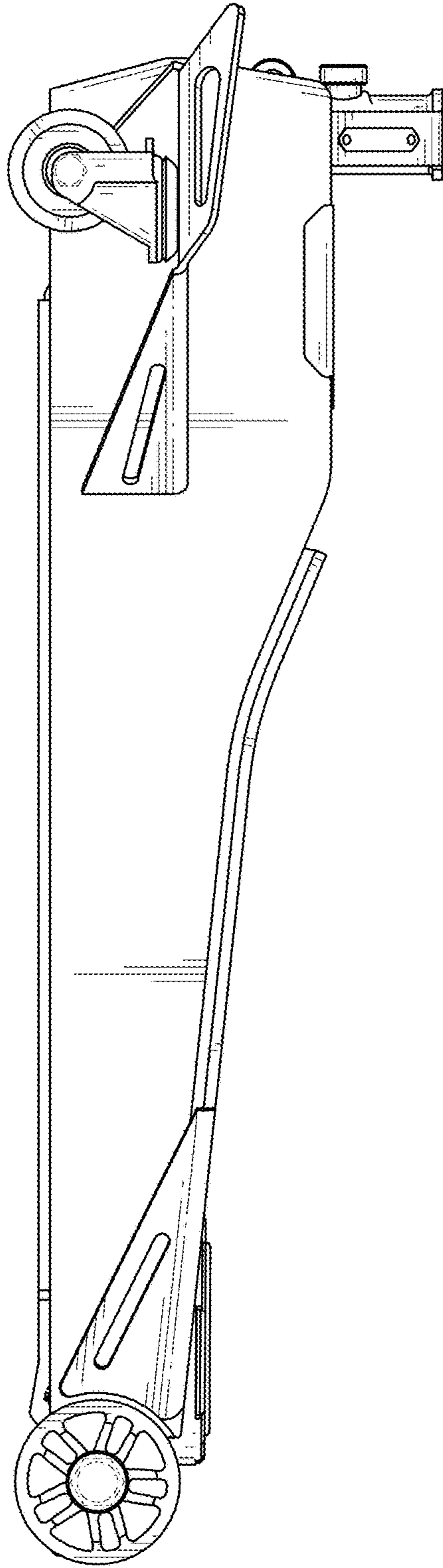


FIG. 5

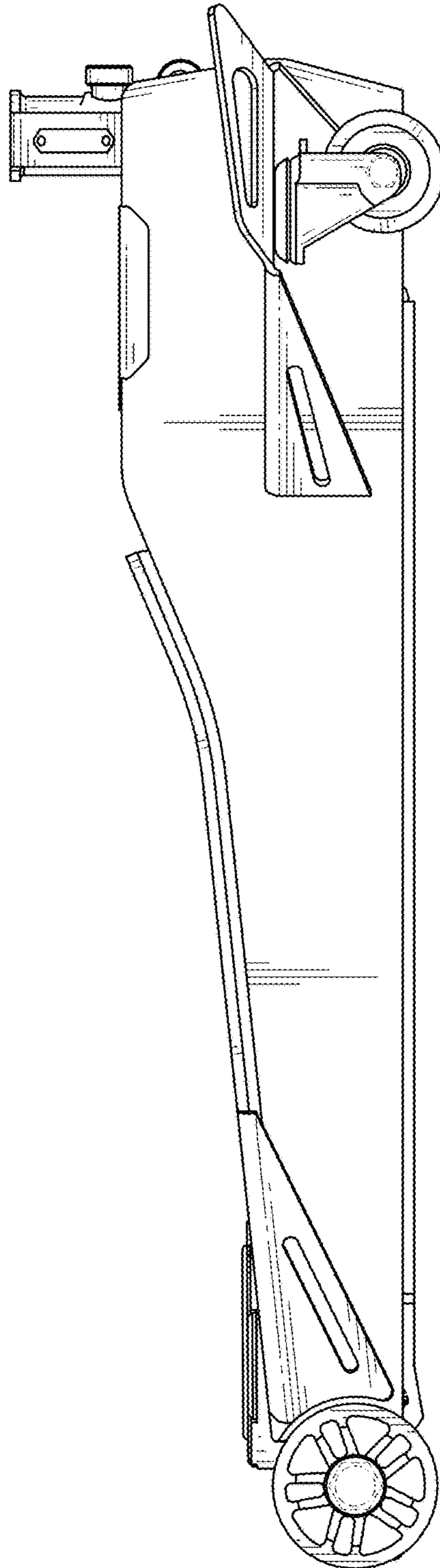


FIG. 6

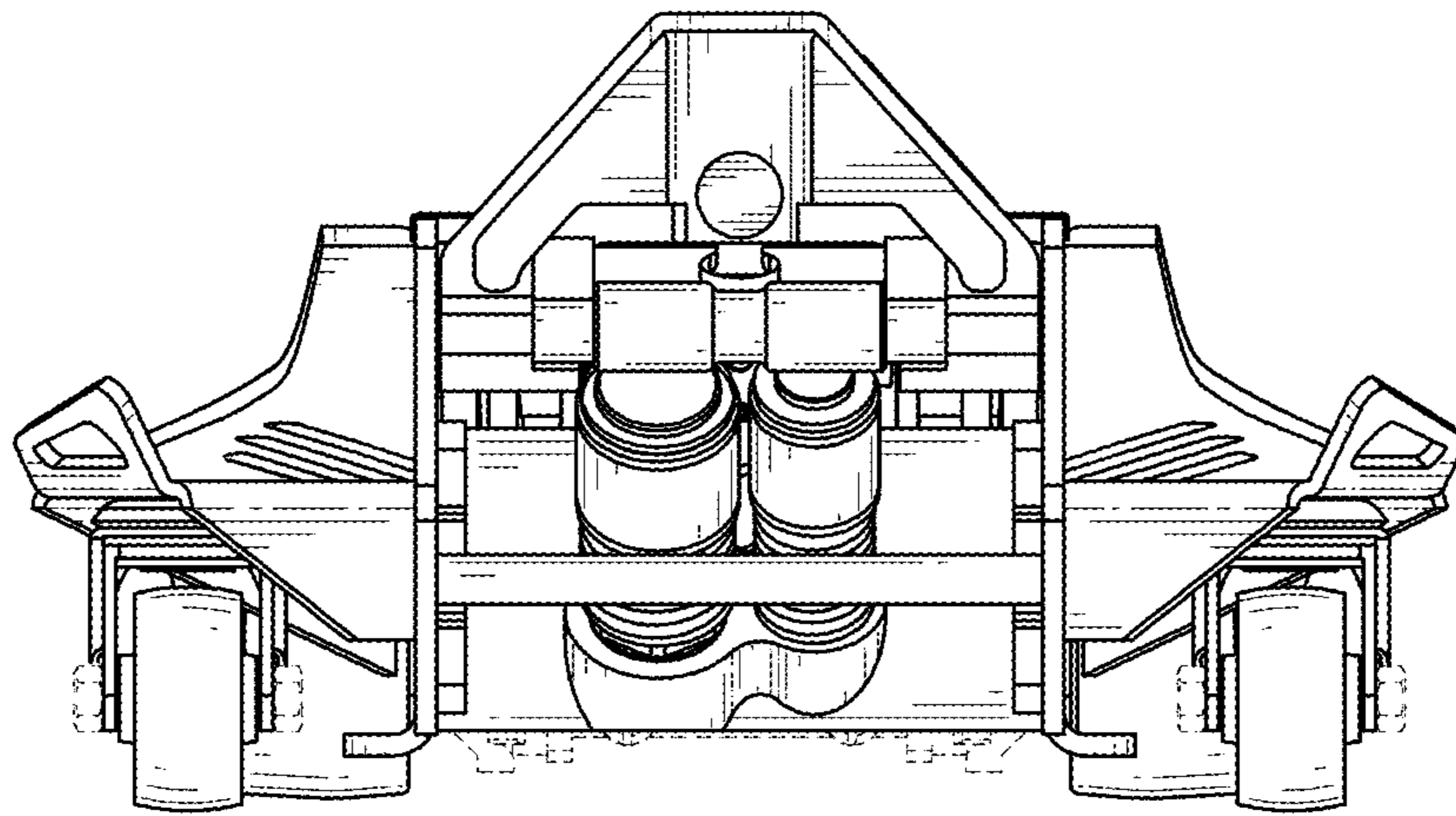


FIG. 7

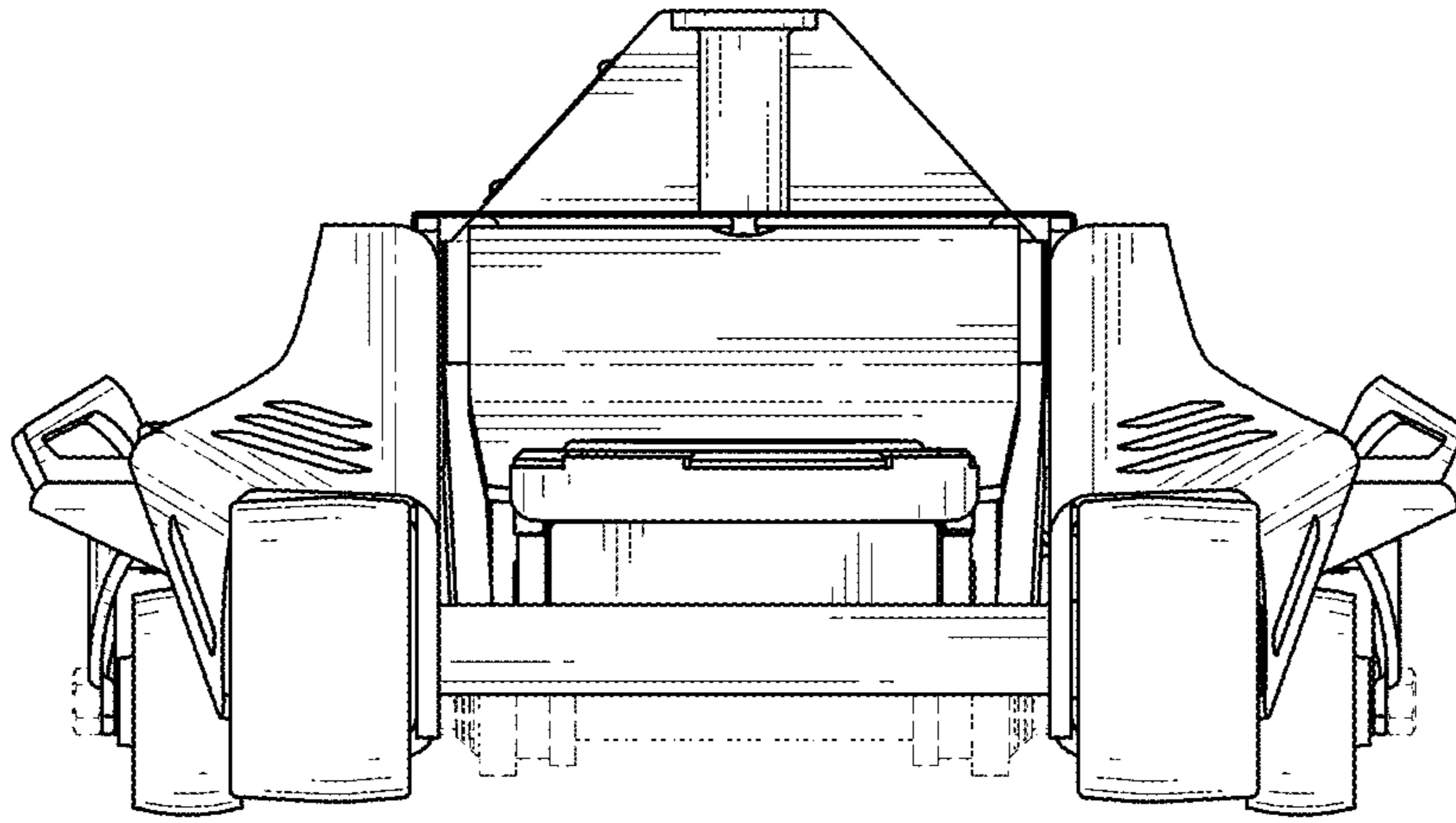


FIG. 8