



US00D827240S

(12) **United States Design Patent** (10) **Patent No.:** **US D827,240 S**
Hu (45) **Date of Patent:** **** Aug. 28, 2018**

(54) **HEIGHT ADJUSTABLE ROLLING STORAGE CART**

(71) Applicant: **Yajun Hu**, El Dorado Hills, CA (US)

(72) Inventor: **Yajun Hu**, El Dorado Hills, CA (US)

(73) Assignees: **Ya Jun Hu**, El Dorado, CA (US);
EUREKA LLC, El Dorado, CA (US)

(**) Term: **15 Years**

(21) Appl. No.: **29/609,692**

(22) Filed: **Jul. 4, 2017**

(51) **LOC (11) Cl.** **12-02**

(52) **U.S. Cl.**
USPC **D34/17**

(58) **Field of Classification Search**
USPC D34/12, 13, 16-22, 25-27; 280/651,
280/47.34, 47.35, 47.19, 47.17, 79.2
CPC B62B 1/12; B62B 3/02; B62B 5/0438;
B62B 3/0606

See application file for complete search history.

(56) **References Cited**

U.S. PATENT DOCUMENTS

D245,783 S	9/1977	Fieni	
D301,590 S	6/1989	Foran et al.	
5,271,551 A	12/1993	Roepke	
D354,516 S	1/1995	Crist et al.	
D383,283 S	9/1997	Hankins, III	
D424,117 S	5/2000	Steinbeck et al.	
D433,711 S	11/2000	Andujar	
D472,735 S	4/2003	Haugen	
D510,168 S *	9/2005	Lovegrove	D34/17
D523,245 S	6/2006	Post	
D551,455 S	9/2007	Norvell	
D579,660 S	11/2008	Snider	
D616,551 S *	5/2010	Fallon	D34/17
7,857,329 B2 *	12/2010	Cai	A47B 31/00 280/47.35
D636,550 S *	4/2011	Molayem	D34/17

D644,491 S	9/2011	Snider	
D651,405 S	1/2012	Lee	
9,643,632 B2 *	5/2017	Nelson	B62B 3/02
2007/0039129 A1 *	2/2007	Dahl	B60B 3/001 16/38
2009/0166991 A1 *	7/2009	Cai	A47B 31/00 280/47.35

* cited by examiner

Primary Examiner — Cynthia Ramirez
Assistant Examiner — Gino Colan

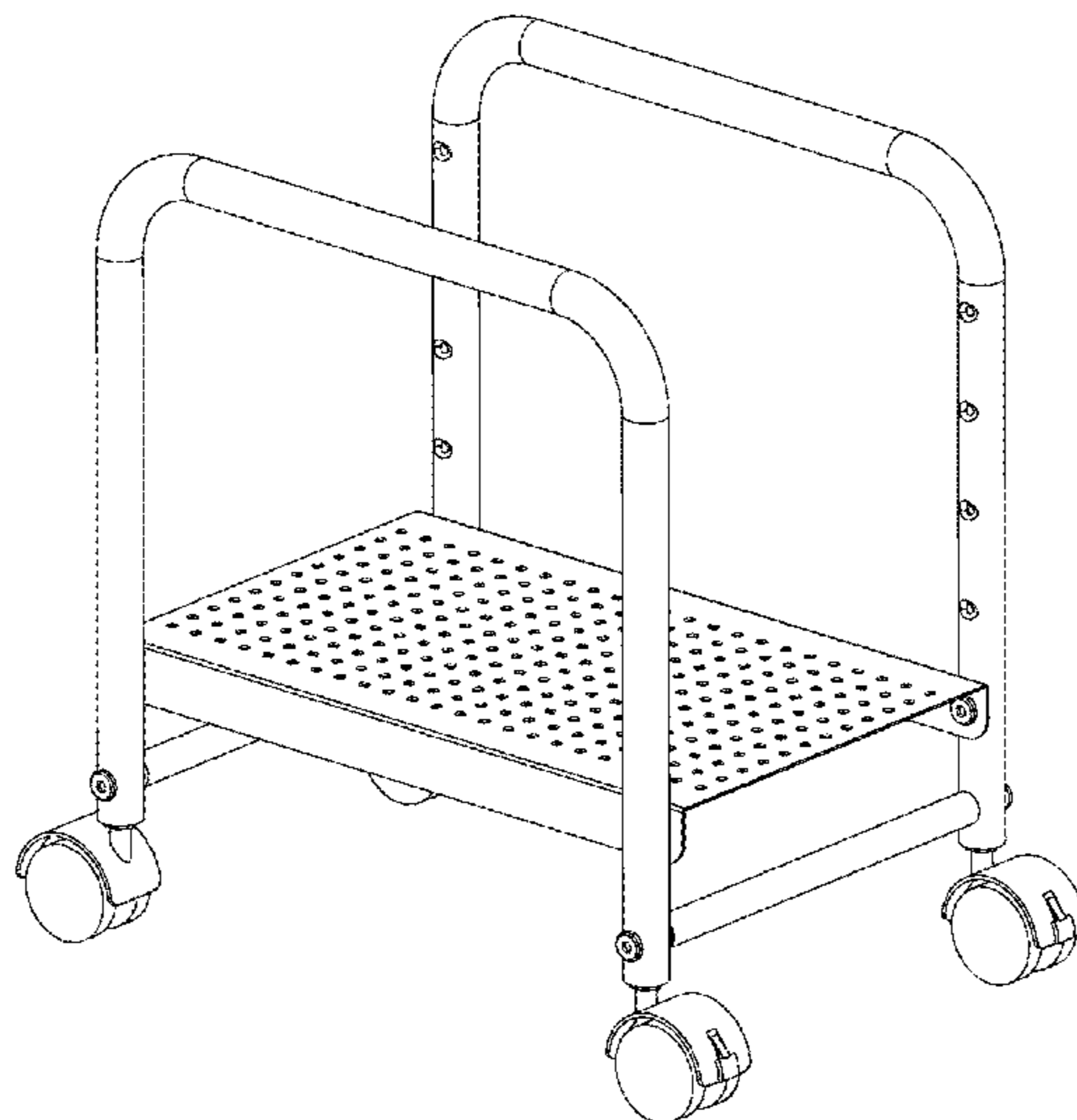
(57) **CLAIM**

The ornamental design for a height adjustable rolling storage cart, as shown and described.

DESCRIPTION

FIG. 1 is a perspective view of height adjustable rolling storage cart of embodiment one; FIG. 2 is a front view thereof; FIG. 3 is a bottom view thereof; FIG. 4 is a top view thereof; FIG. 5 is a rear side view thereof; FIG. 6 is a left side view thereof; FIG. 7 is a right side view thereof; FIG. 8 is a perspective view of height adjustable rolling storage cart of embodiment two; FIG. 9 is a front view thereof; FIG. 10 is a rear side view thereof; FIG. 11 is a left side view thereof; FIG. 12 is a right side view thereof; FIG. 13 is a perspective view of height adjustable rolling storage cart of embodiment three; FIG. 14 is a front view thereof; FIG. 15 is a rear side view thereof; FIG. 16 is a left side view thereof; and, FIG. 17 is a right side view thereof.

1 Claim, 17 Drawing Sheets



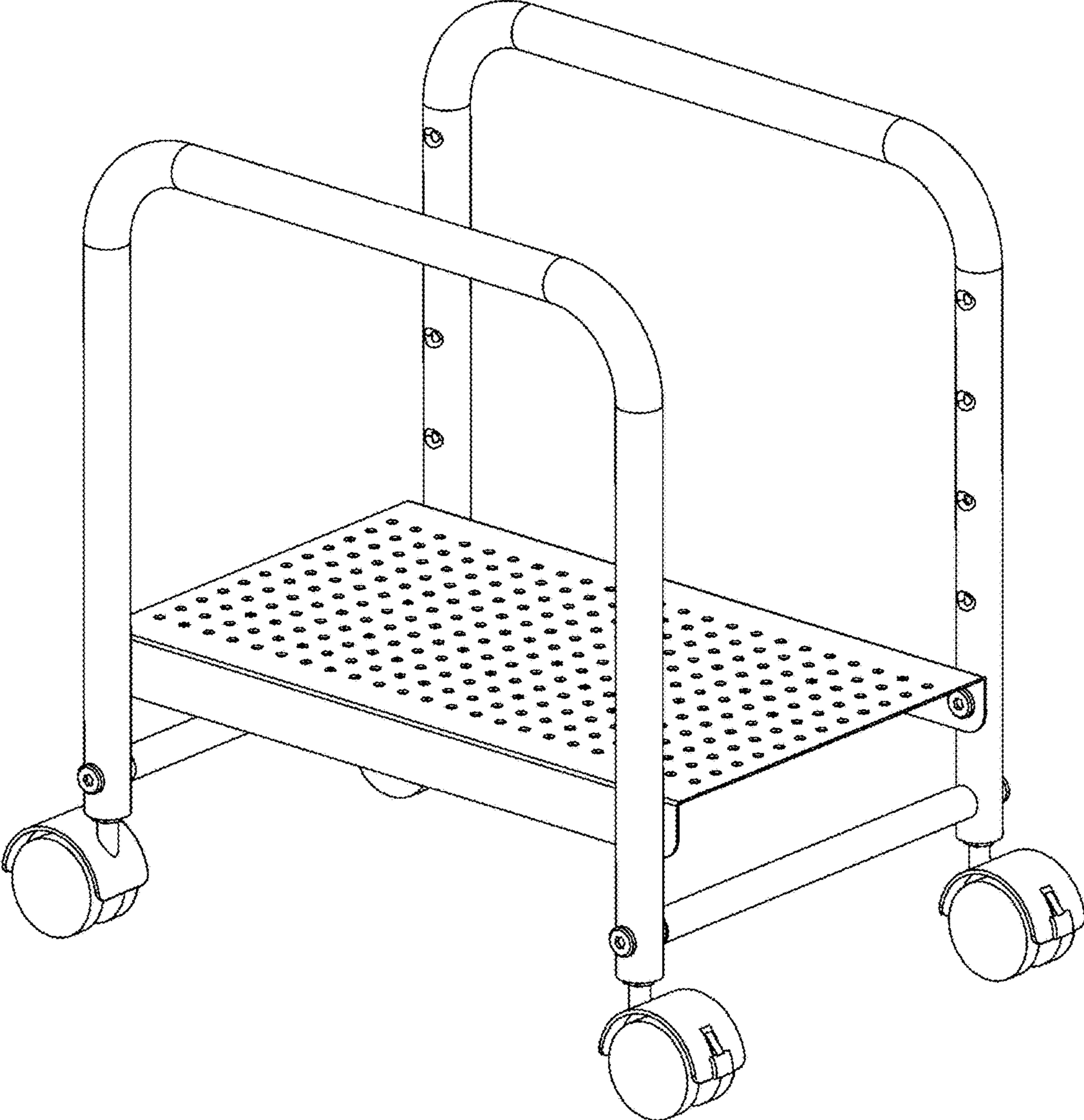


FIG. 1

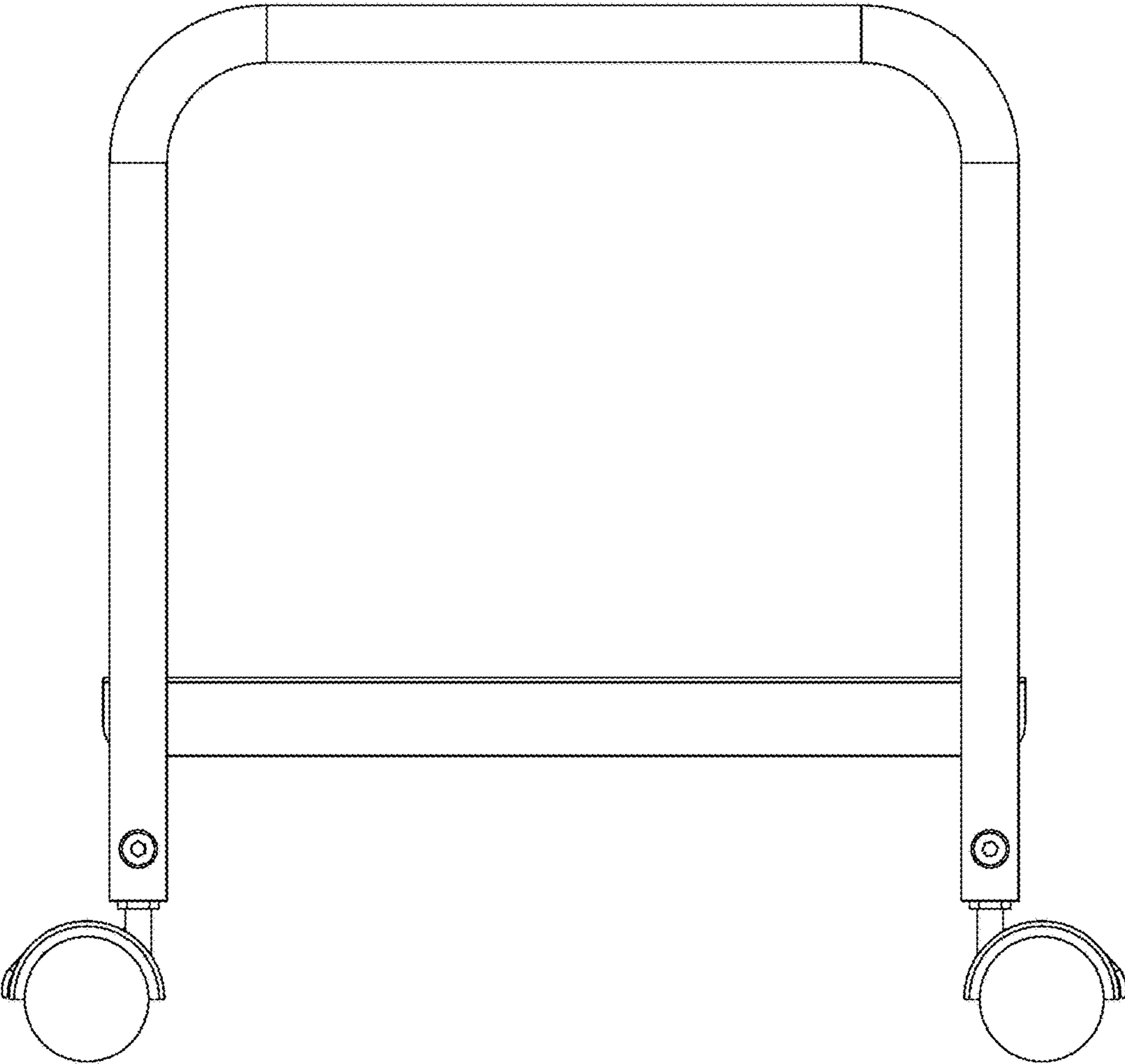


FIG.2

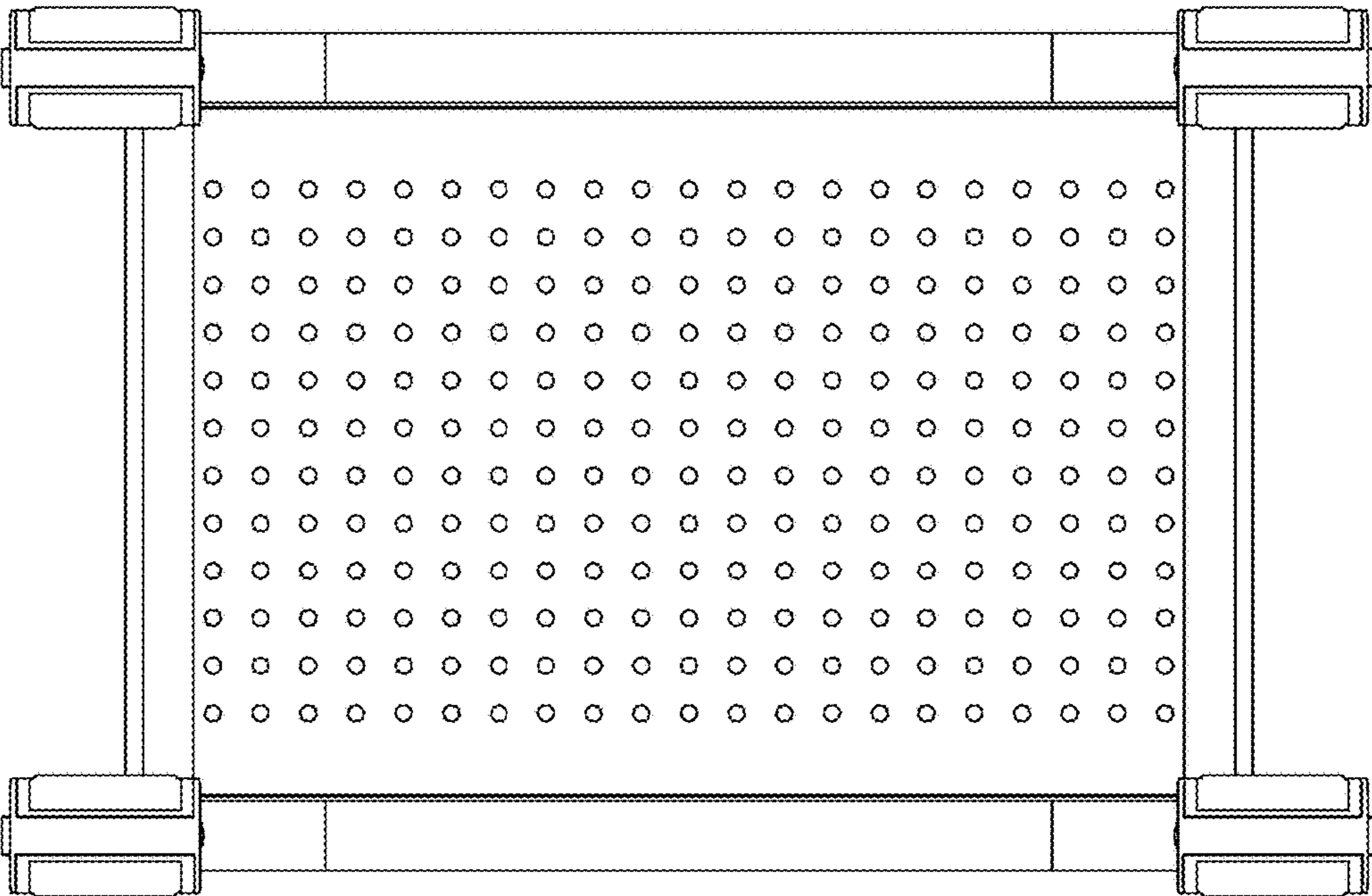


FIG.3

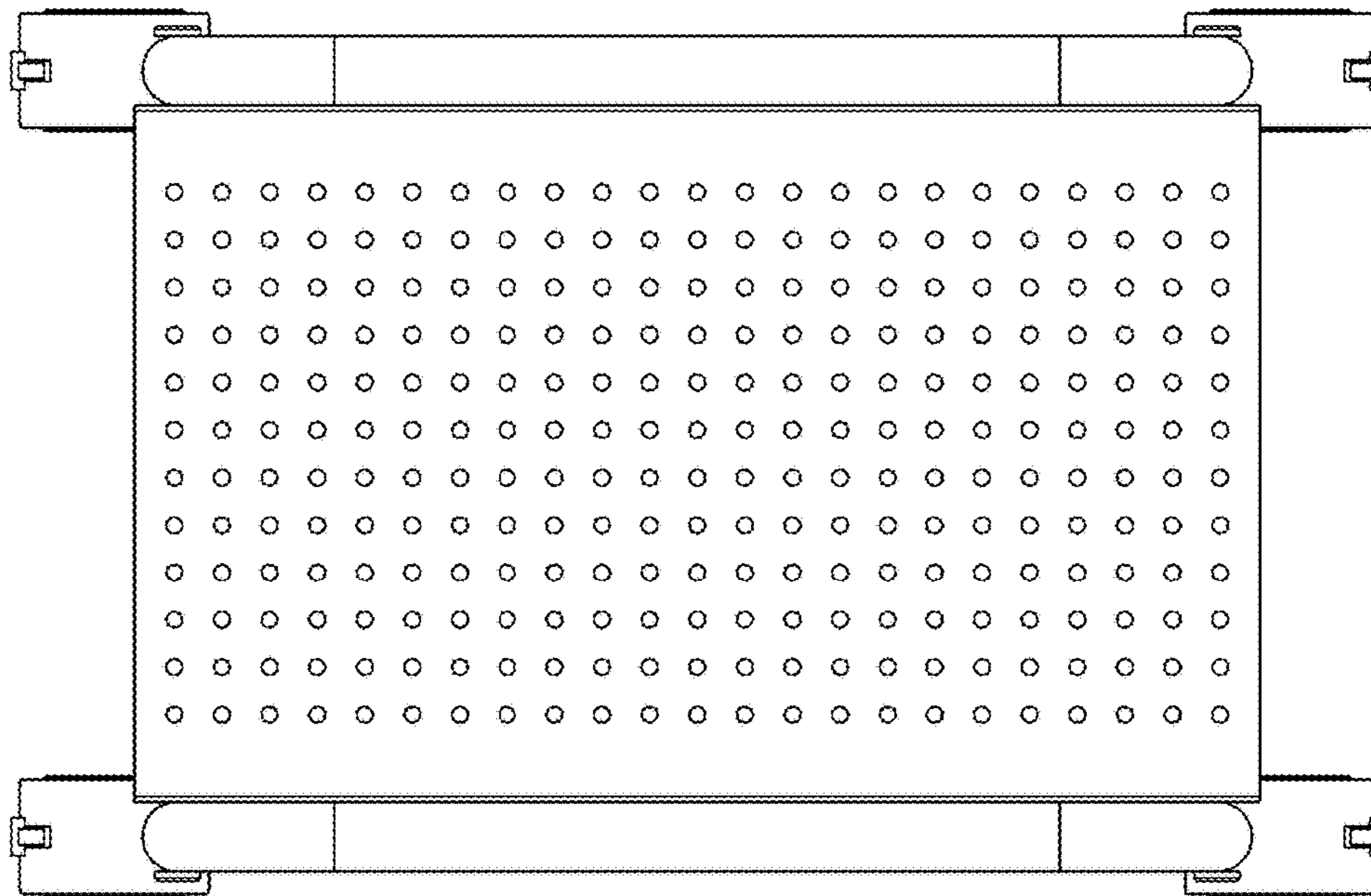


FIG.4

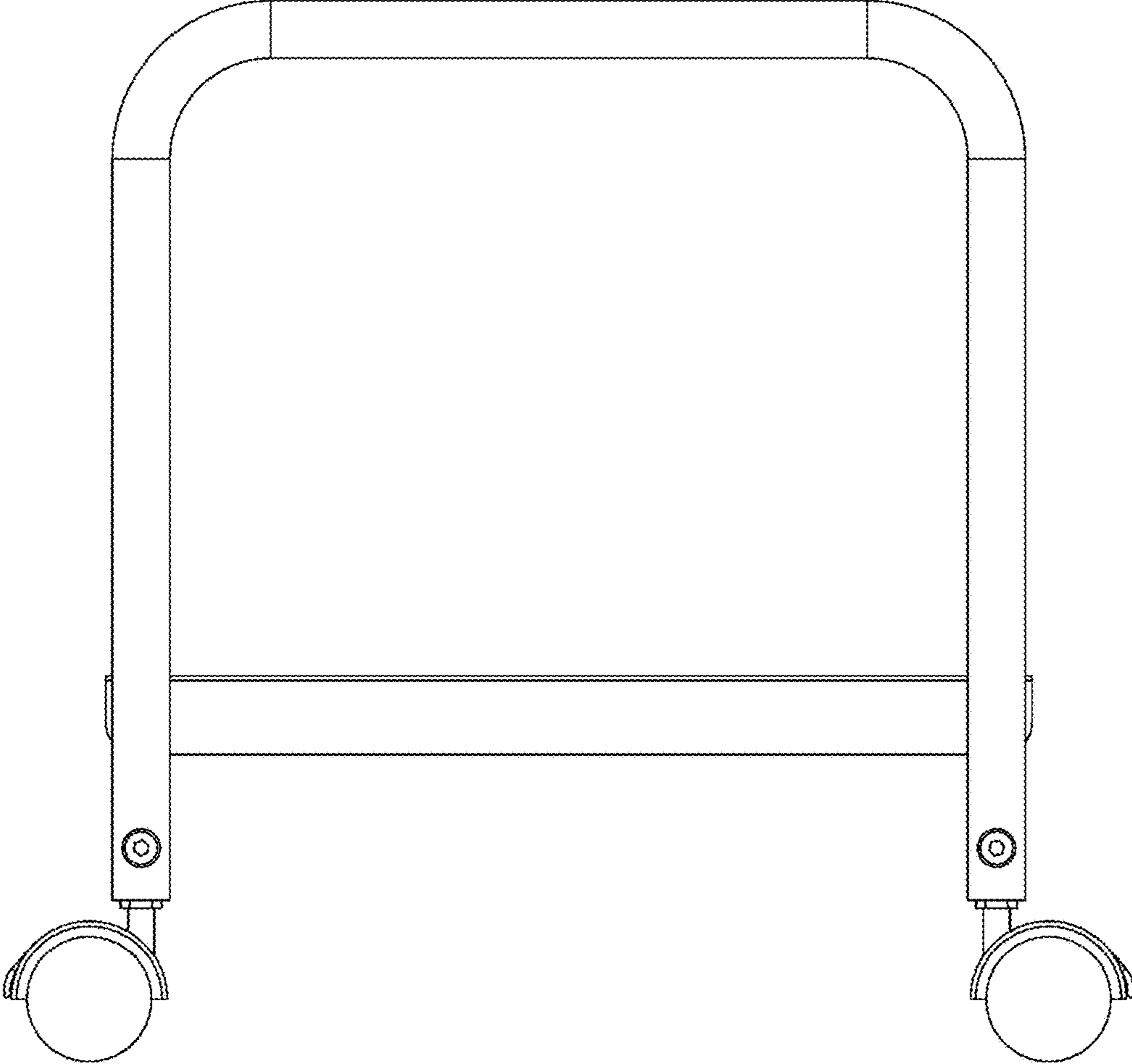


FIG.5

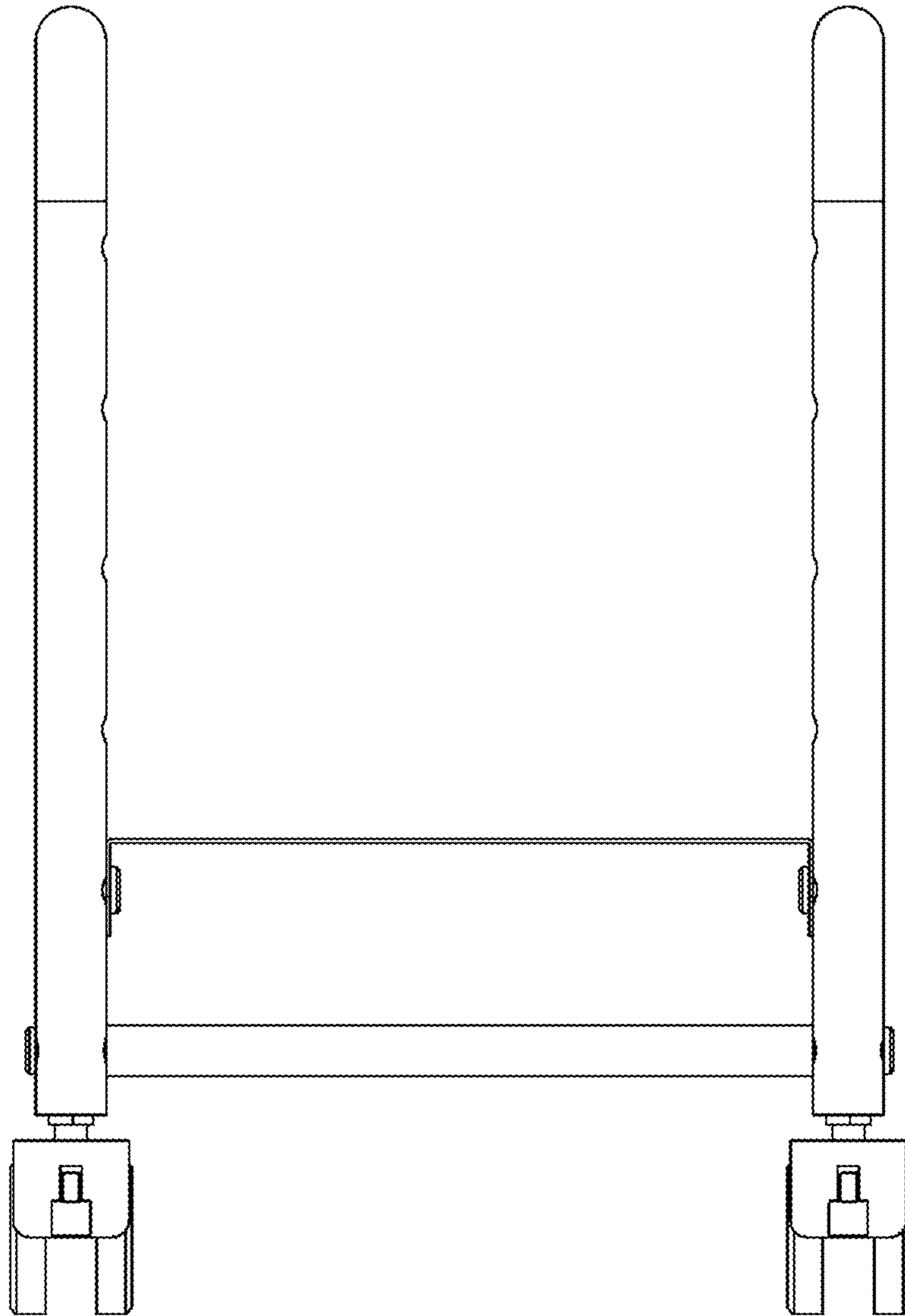


FIG.6

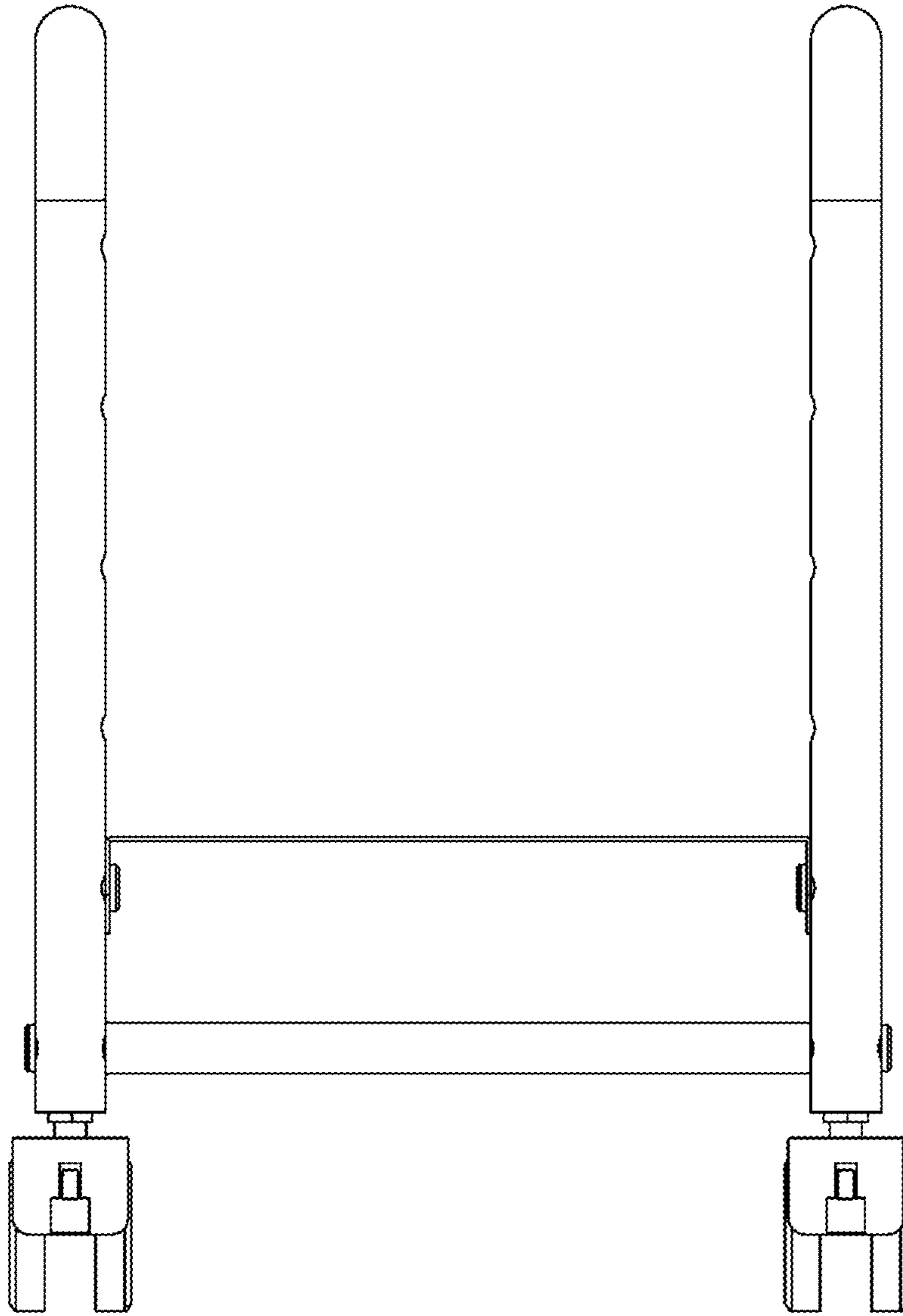


FIG. 7

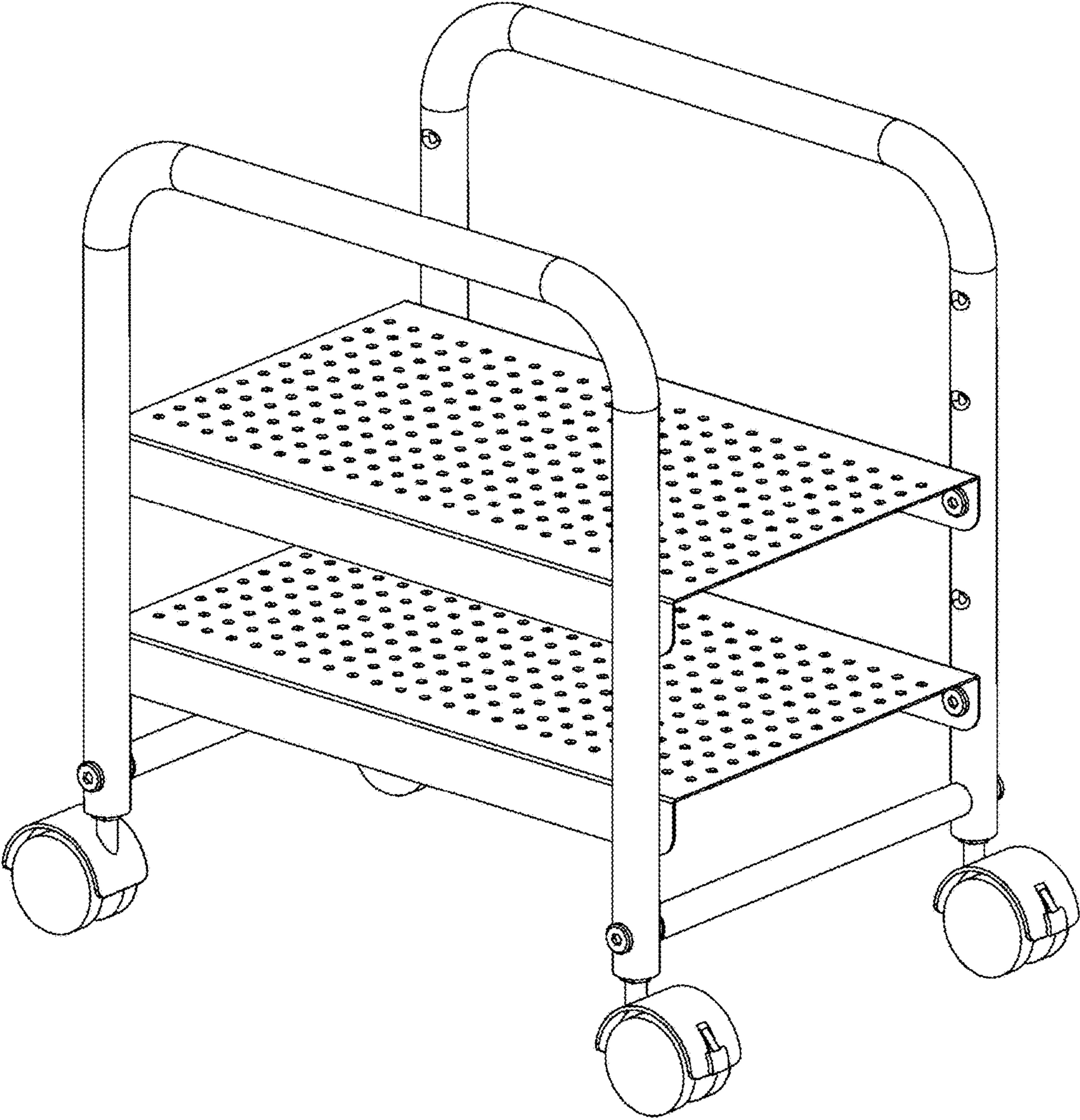


FIG.8

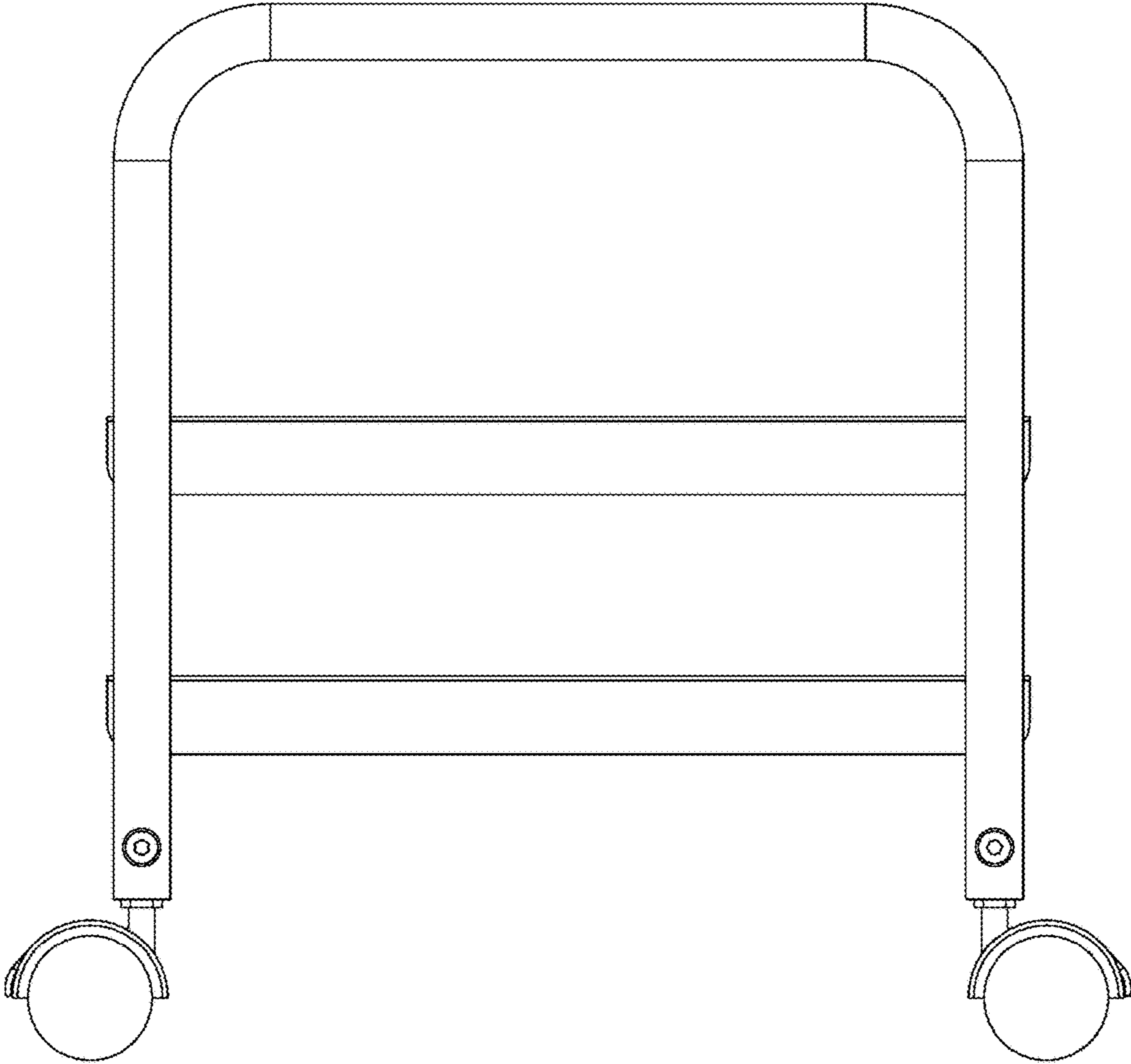


FIG.9

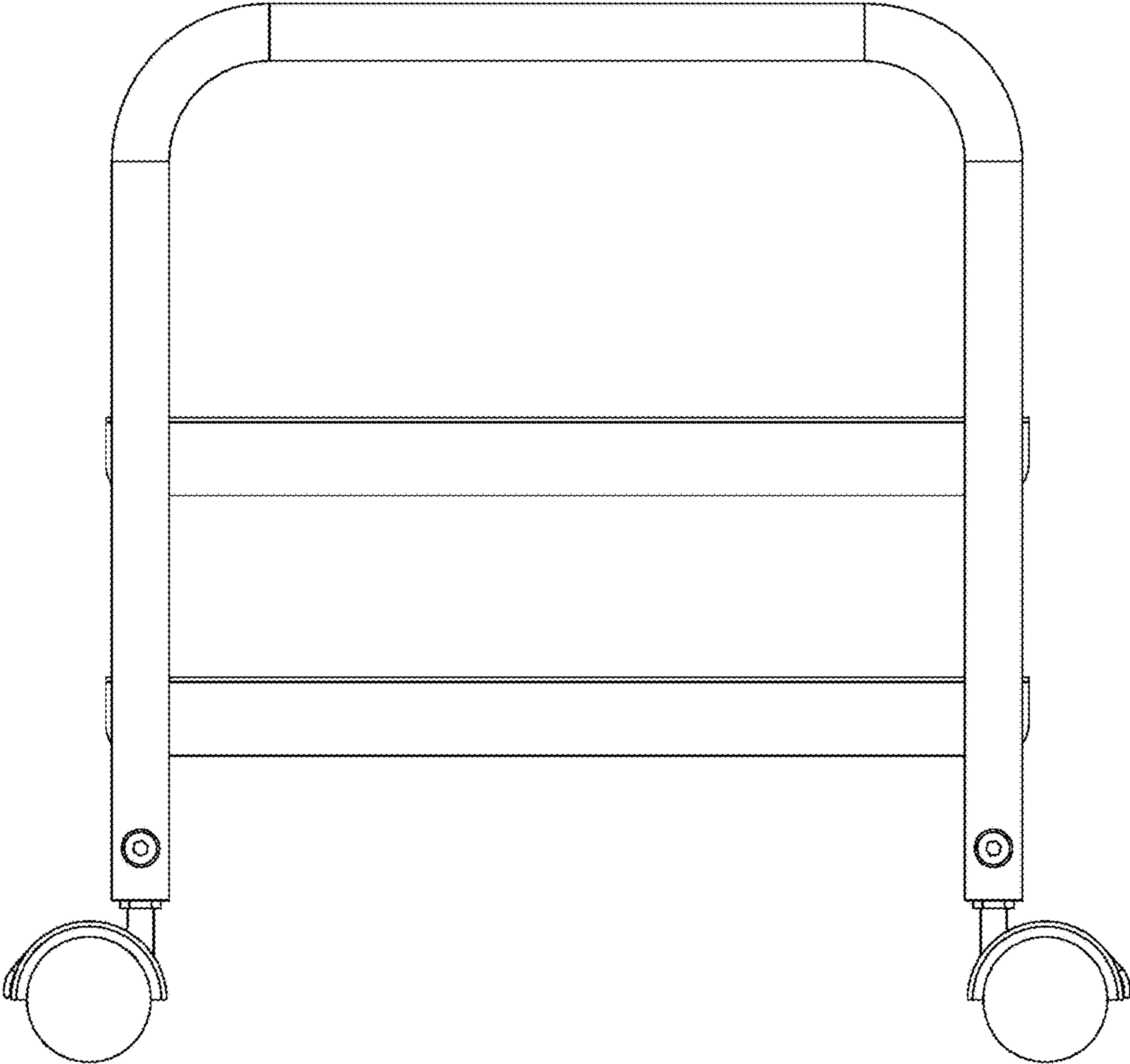


FIG.10

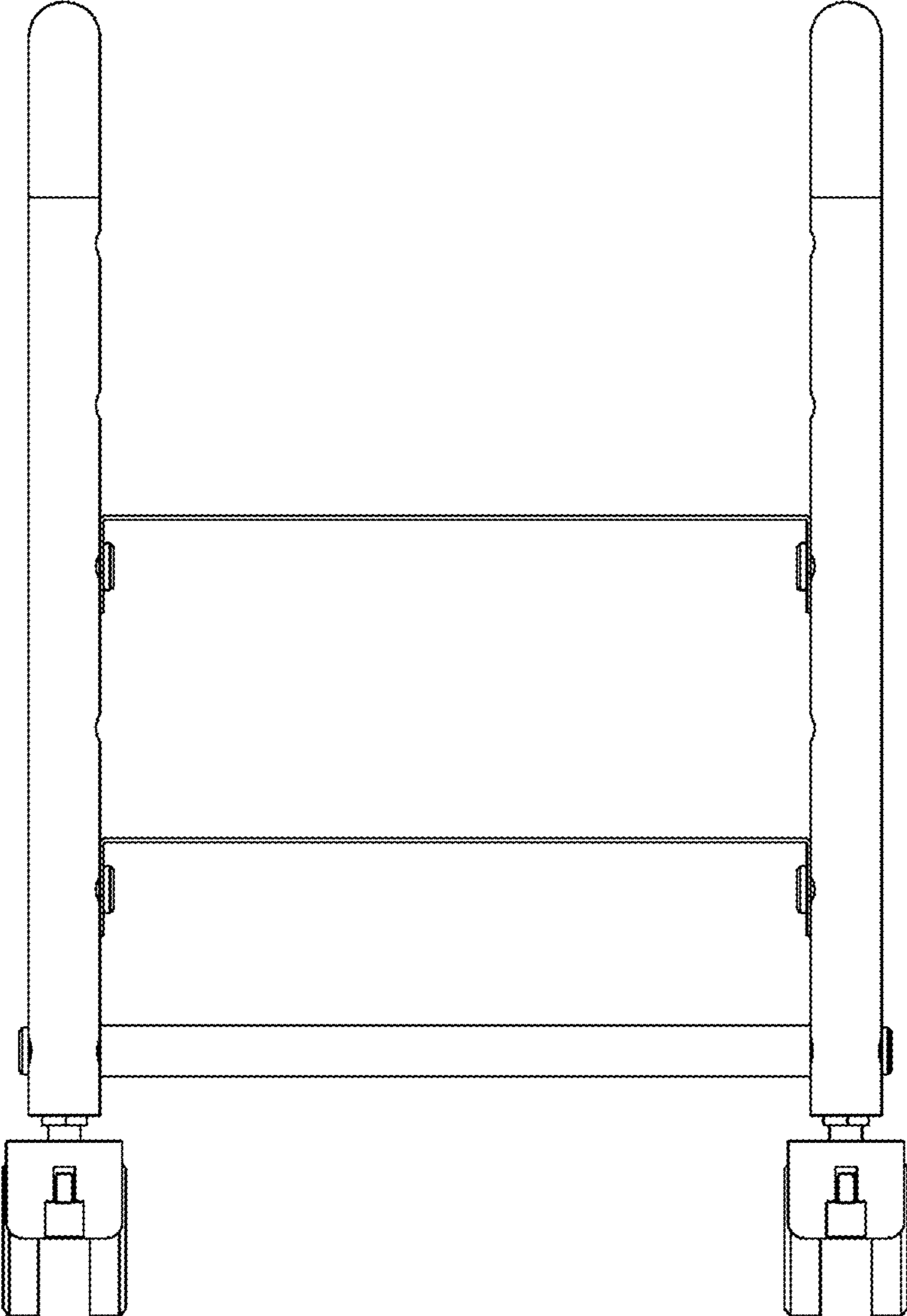


FIG.11

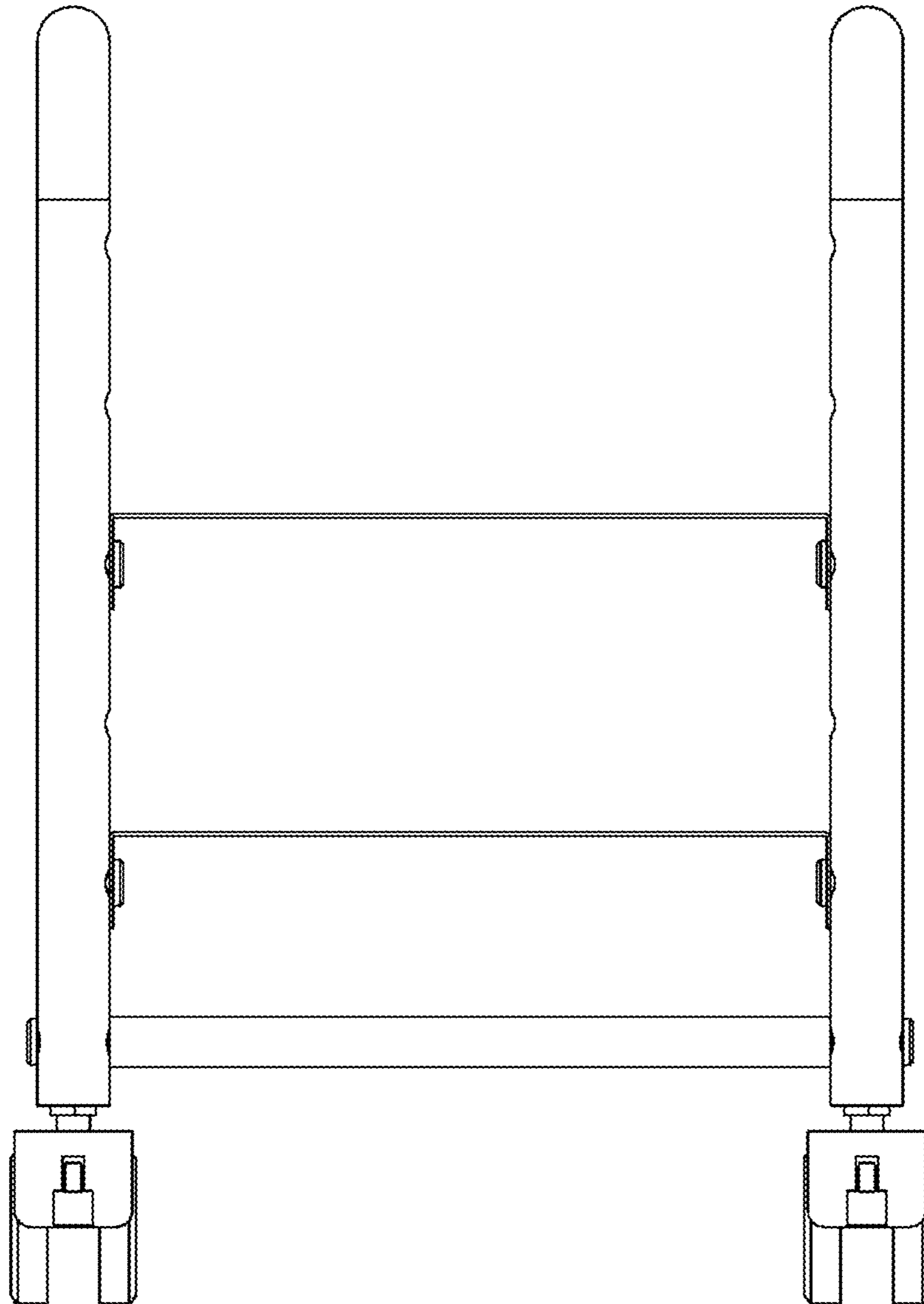


FIG.12

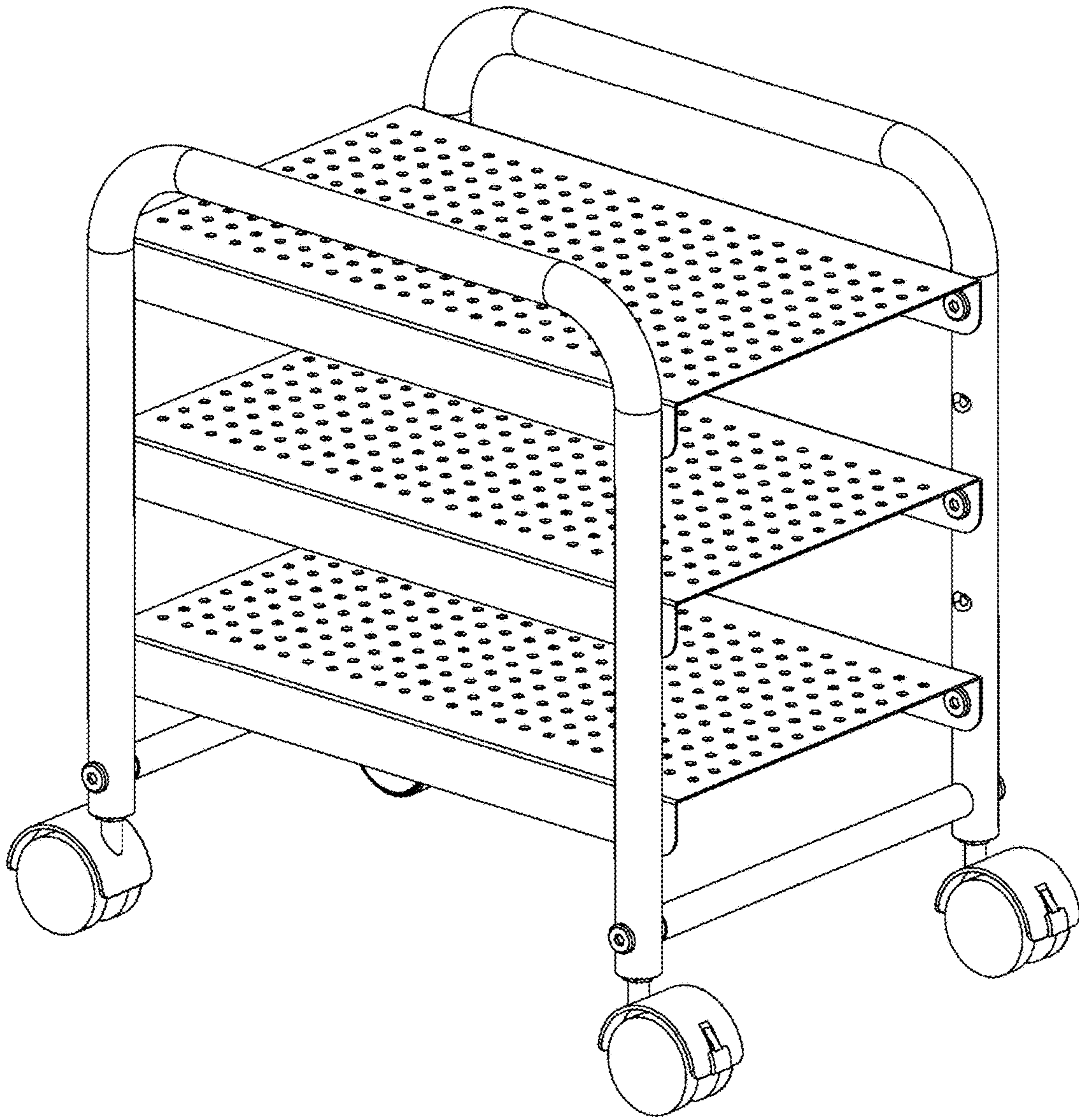


FIG.13

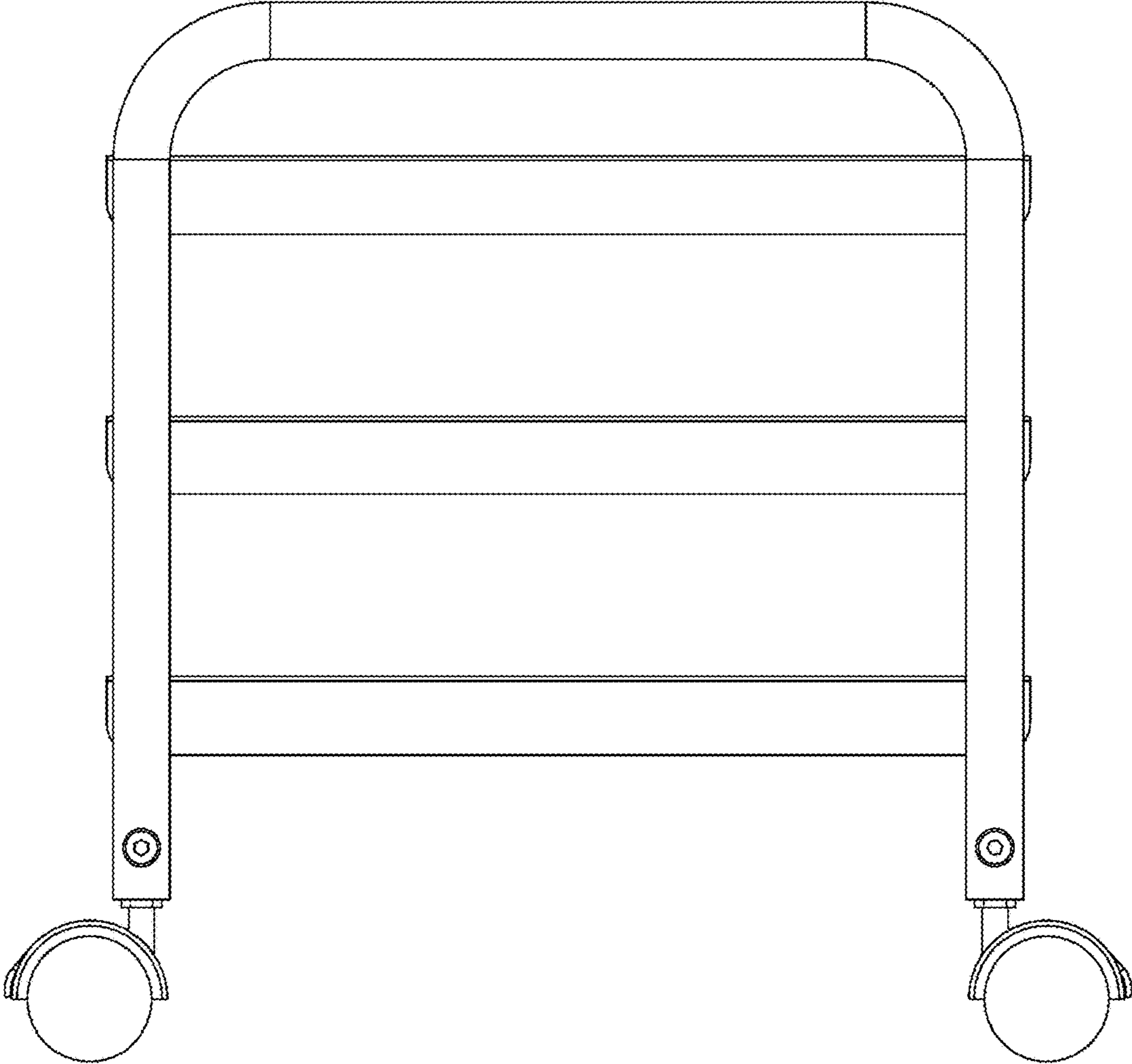


FIG.14

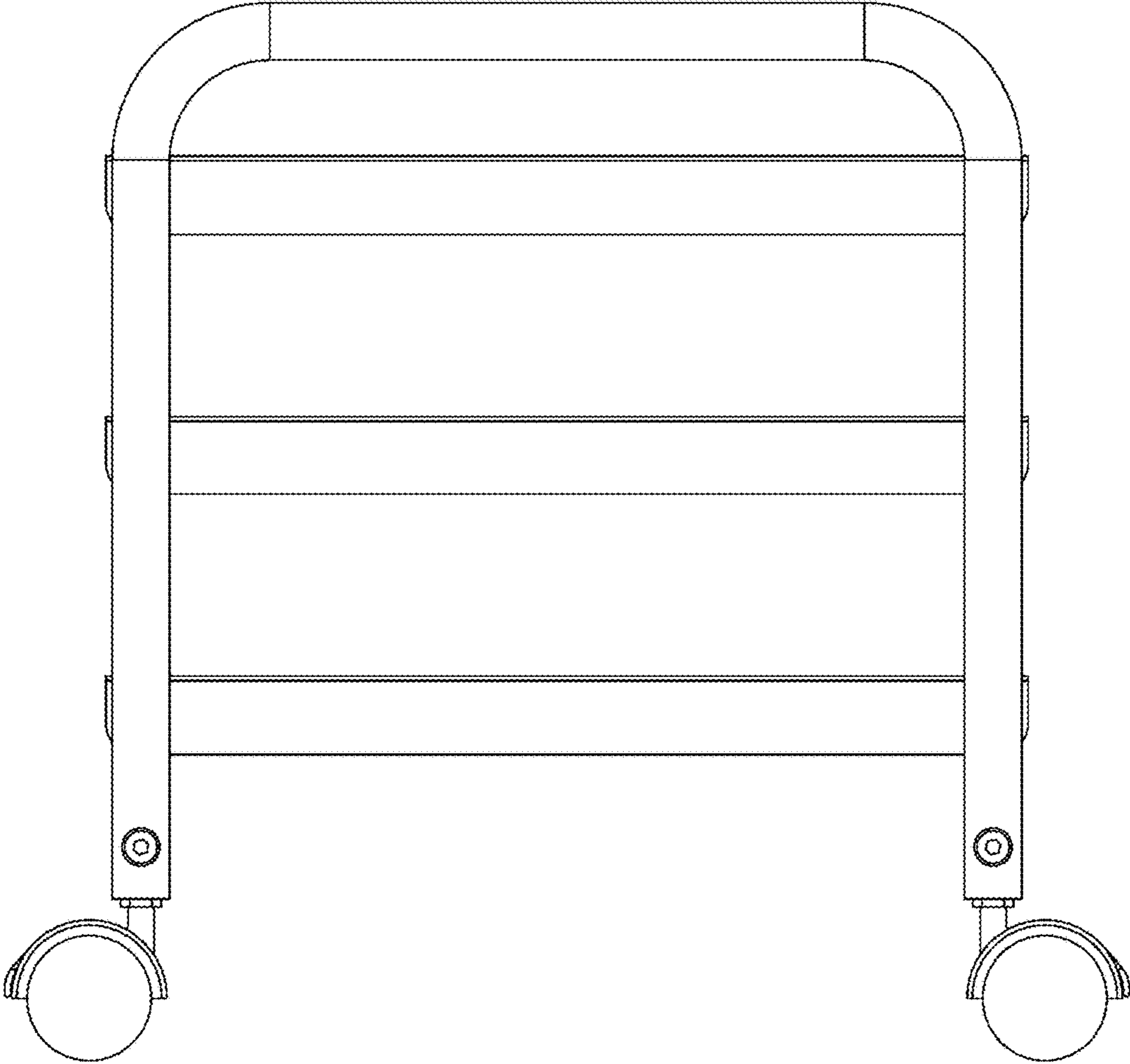


FIG.15

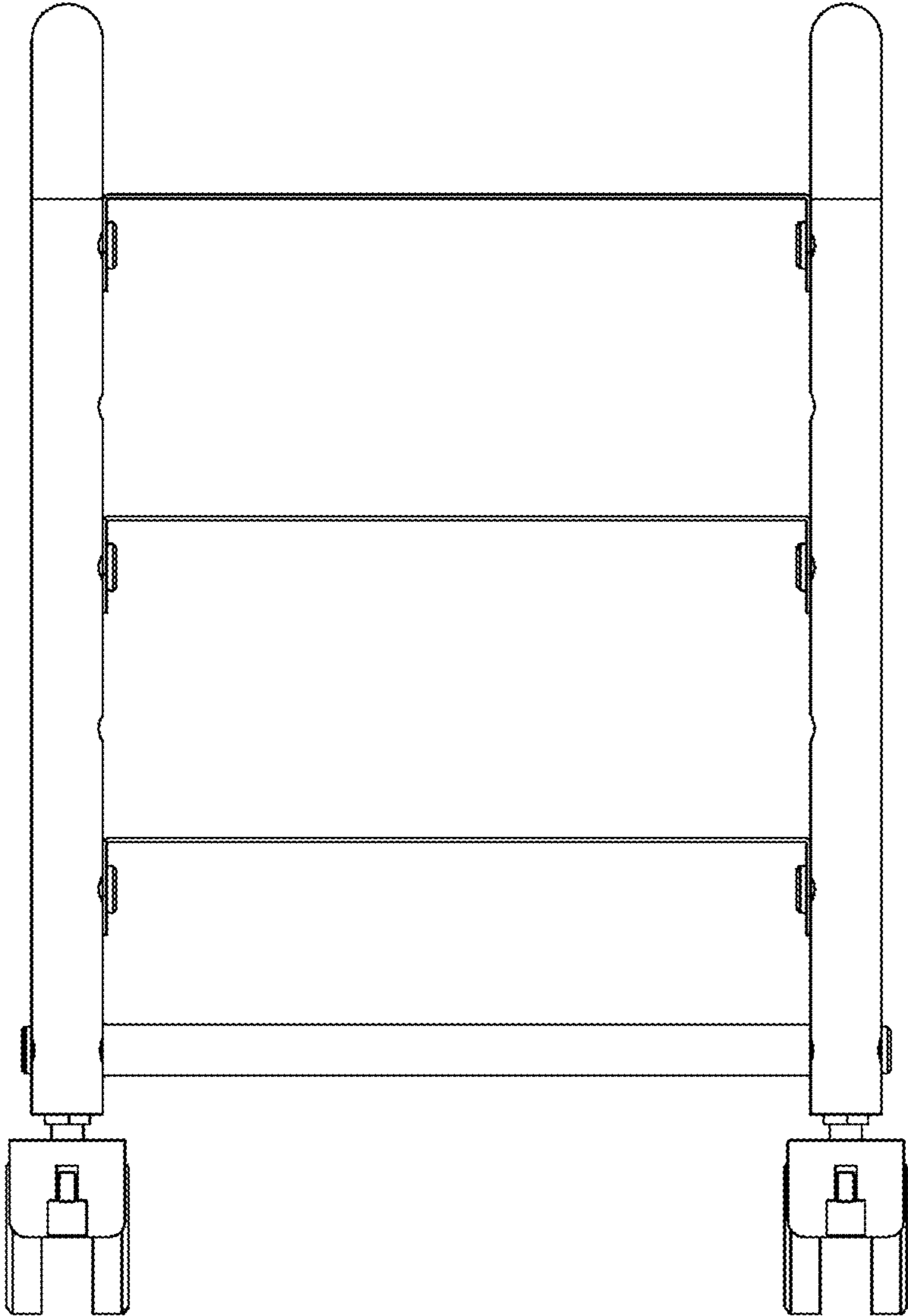


FIG.16

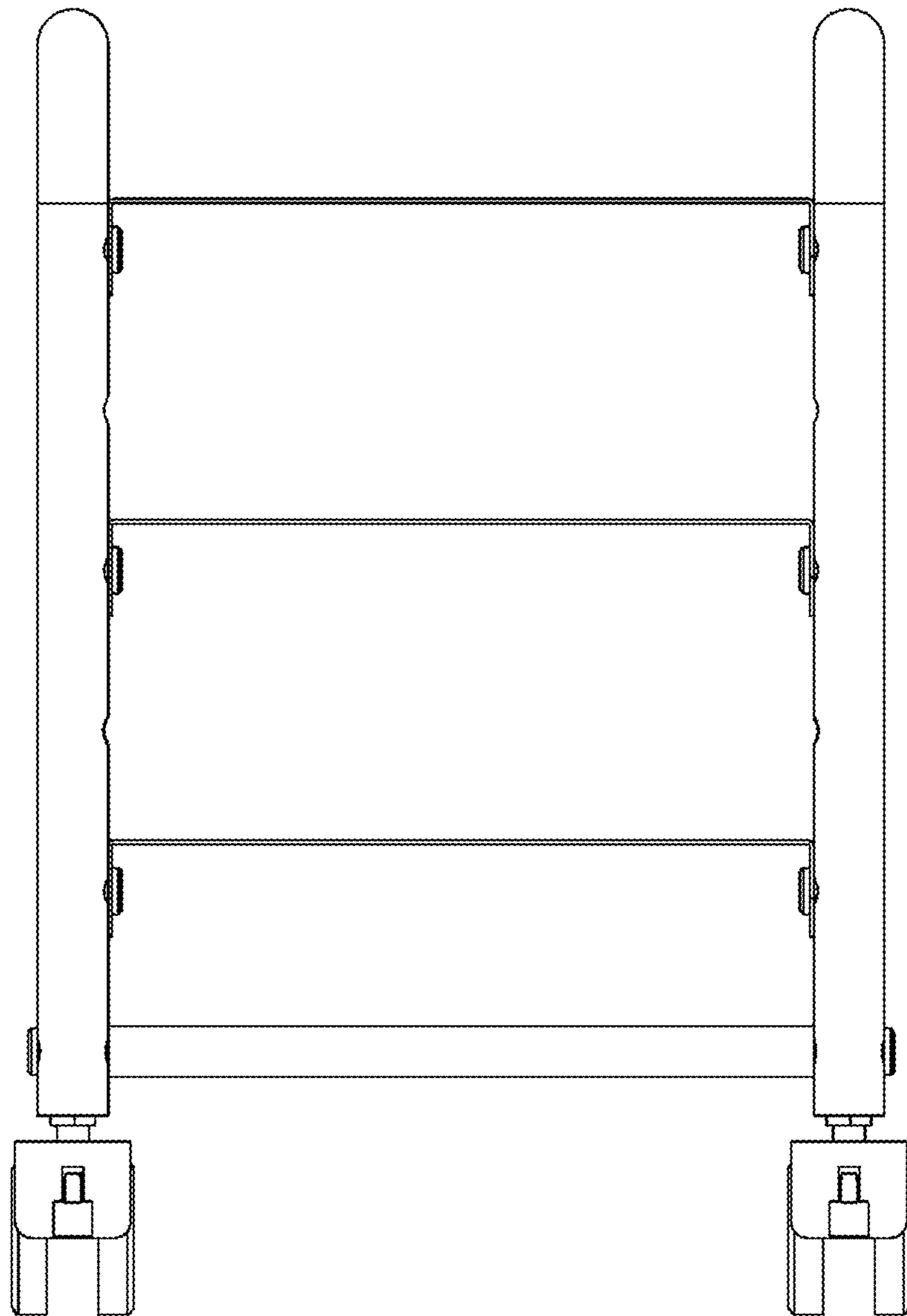


FIG.17