



US00D827239S

(12) **United States Design Patent**
Xie

(10) **Patent No.:** **US D827,239 S**
(45) **Date of Patent:** **** Aug. 28, 2018**

(54) **DRYING RACK**
(71) Applicant: **GUANGDONG WEIJING METALS MFG Co., LTD**, Foshan, Guangdong (CN)
(72) Inventor: **Bingxuan Xie**, Guangdong (CN)
(73) Assignee: **GUANGDONG WEIJING METALS MFG CO., LTD**, Foshan (CN)

(**) Term: **15 Years**

(21) Appl. No.: **29/599,839**
(22) Filed: **Apr. 7, 2017**
(51) **LOC (11) Cl.** **07-05**
(52) **U.S. Cl.**
USPC **D32/58**
(58) **Field of Classification Search**
USPC D32/55, 276, 3, 58; D6/510, 525; 211/41.5, 41.4, 41.3, 41.8, 195, 200; 361/679.4; 312/311, 333, 334.4; D7/354, 629, 368
CPC F26B 25/18; F26B 9/0003; A61L 9/20; A47F 3/08; A47B 43/00; D06F 57/12
See application file for complete search history.

(56) **References Cited**
U.S. PATENT DOCUMENTS
263,945 A * 9/1882 Nelly D06F 57/08 211/200
2,406,638 A * 8/1946 Schissel D06F 57/08 211/200

4,297,795 A * 11/1981 Licari D06F 57/10 211/198
4,807,766 A * 2/1989 Compagnucci D06F 57/08 211/198
D322,698 S * 12/1991 Cassel D32/58
6,283,314 B1 * 9/2001 Loguercio D06F 57/06 211/200
D655,877 S * 3/2012 Greenway D32/58
D720,907 S * 1/2015 Perez D32/58
D737,532 S * 8/2015 Oh D32/58
D765,335 S * 8/2016 Cooper D32/58

* cited by examiner
Primary Examiner — Austin Murphy

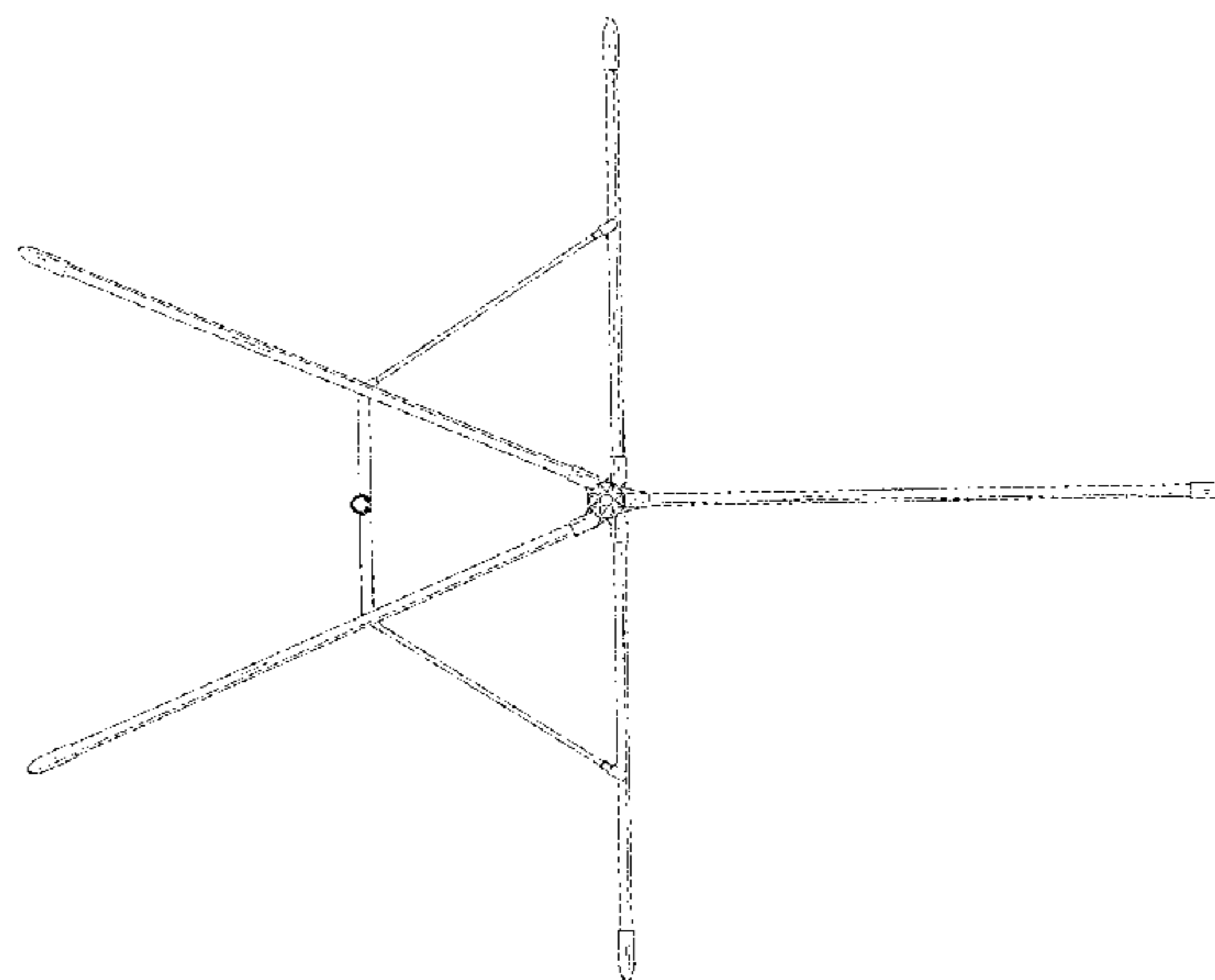
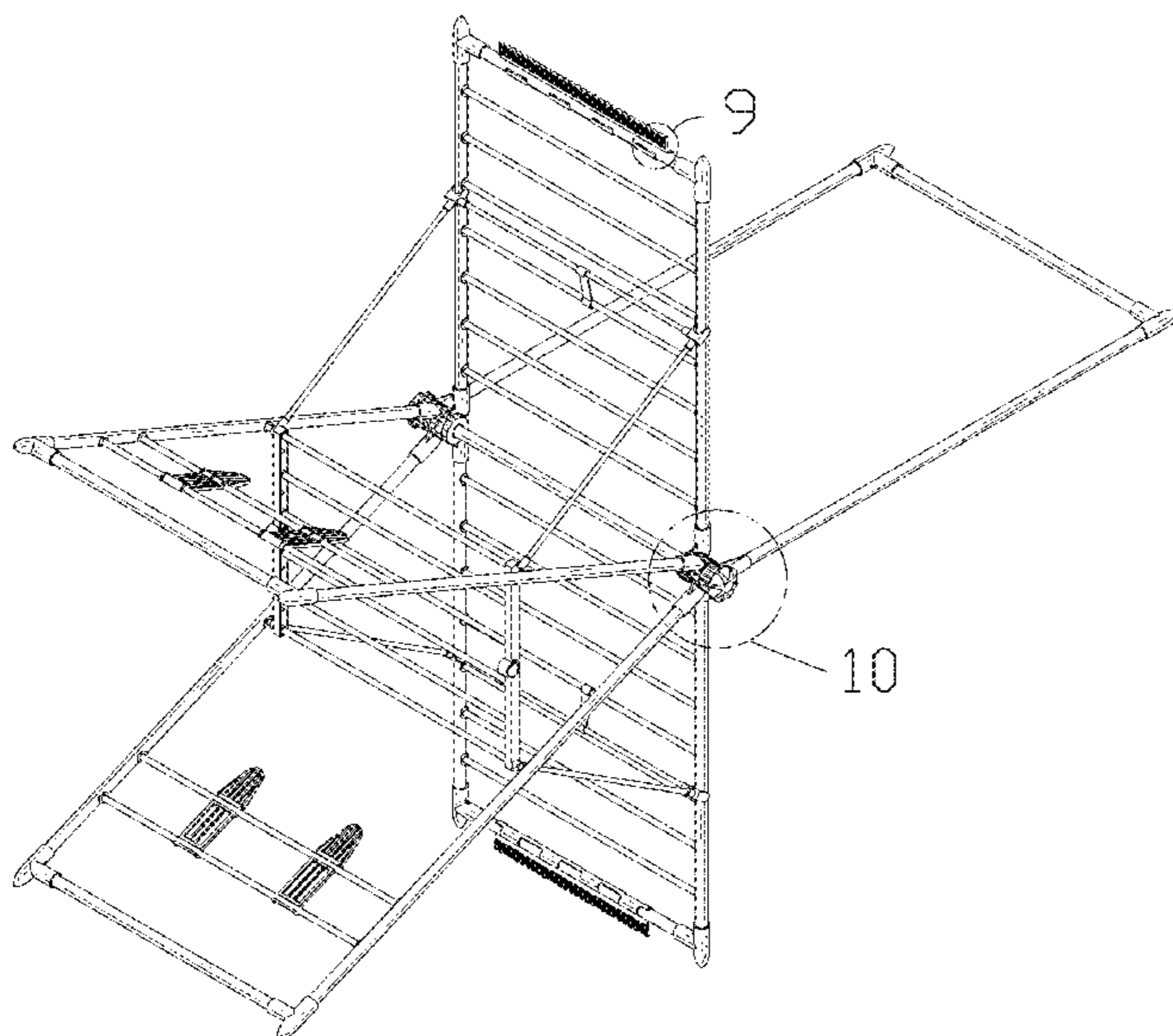
(57) **CLAIM**

The ornamental design for a drying rack, as shown and described.

DESCRIPTION

FIG. 1 is a first perspective view of a drying rack showing my new design;
FIG. 2 is a second perspective view thereof;
FIG. 3 is a front elevational view thereof;
FIG. 4 is a rear elevational view thereof;
FIG. 5 is a right side view thereof;
FIG. 6 is a left side view thereof;
FIG. 7 is a top plan view thereof;
FIG. 8 is a bottom plan view thereof;
FIG. 9 is an enlarged view of portion 9 in FIG. 1;
FIG. 10 is an enlarged view of portion 10 in FIG. 1;
FIG. 11 is an enlarged view of portion 11 in FIG. 2; and,
FIG. 12 is an enlarged view of portion 12 in FIG. 2.

1 Claim, 12 Drawing Sheets



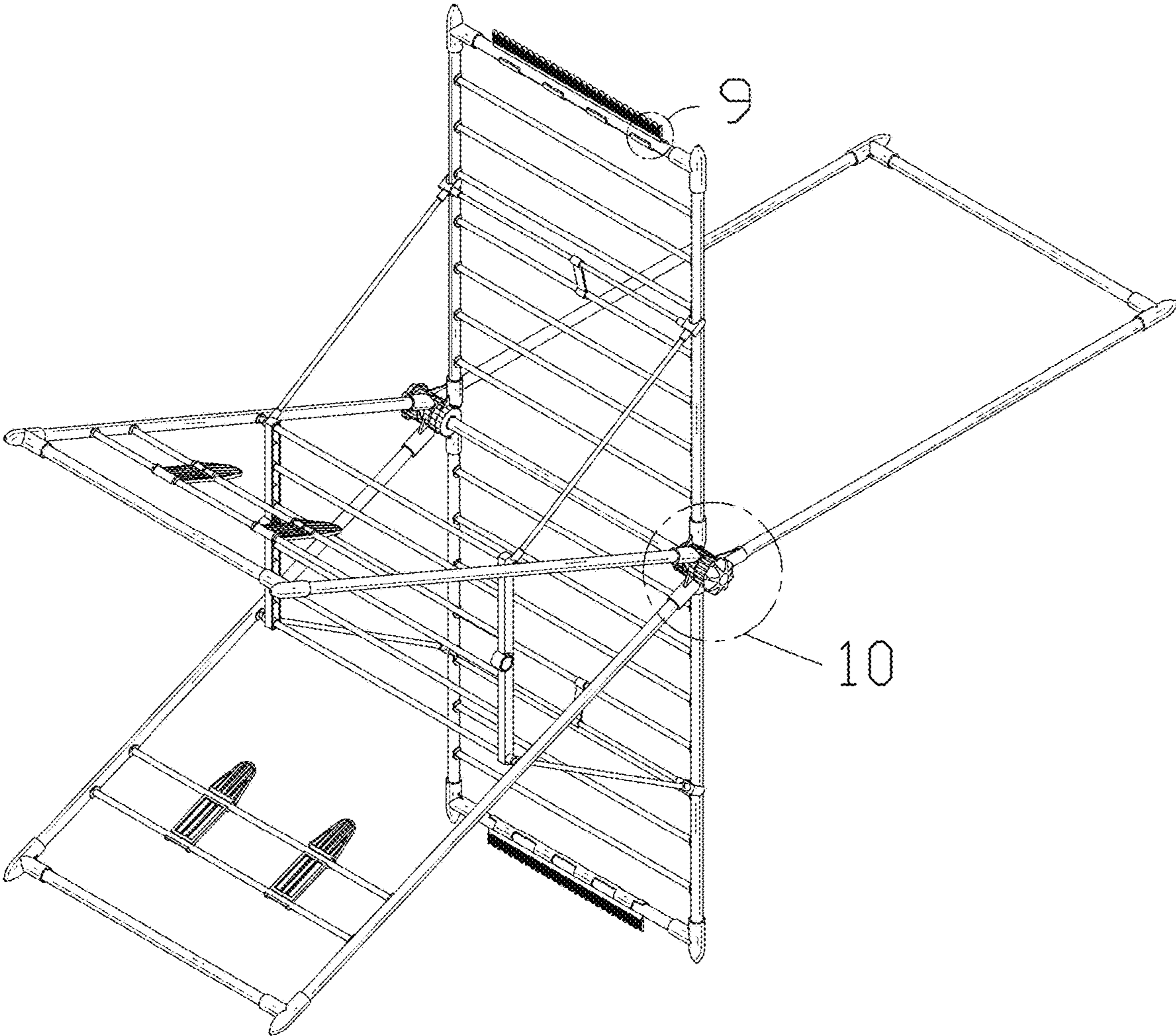


Fig. 1

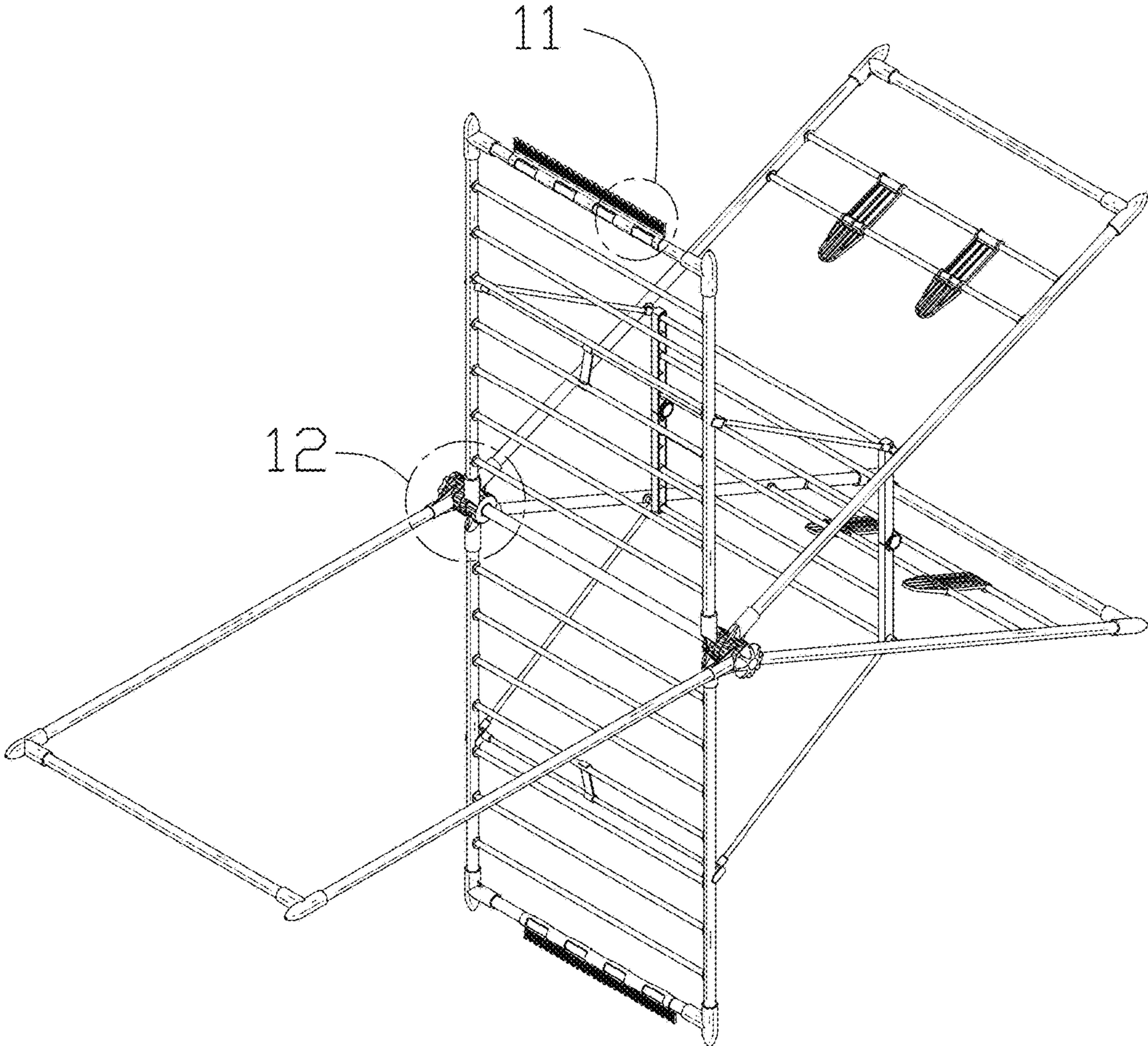


Fig. 2

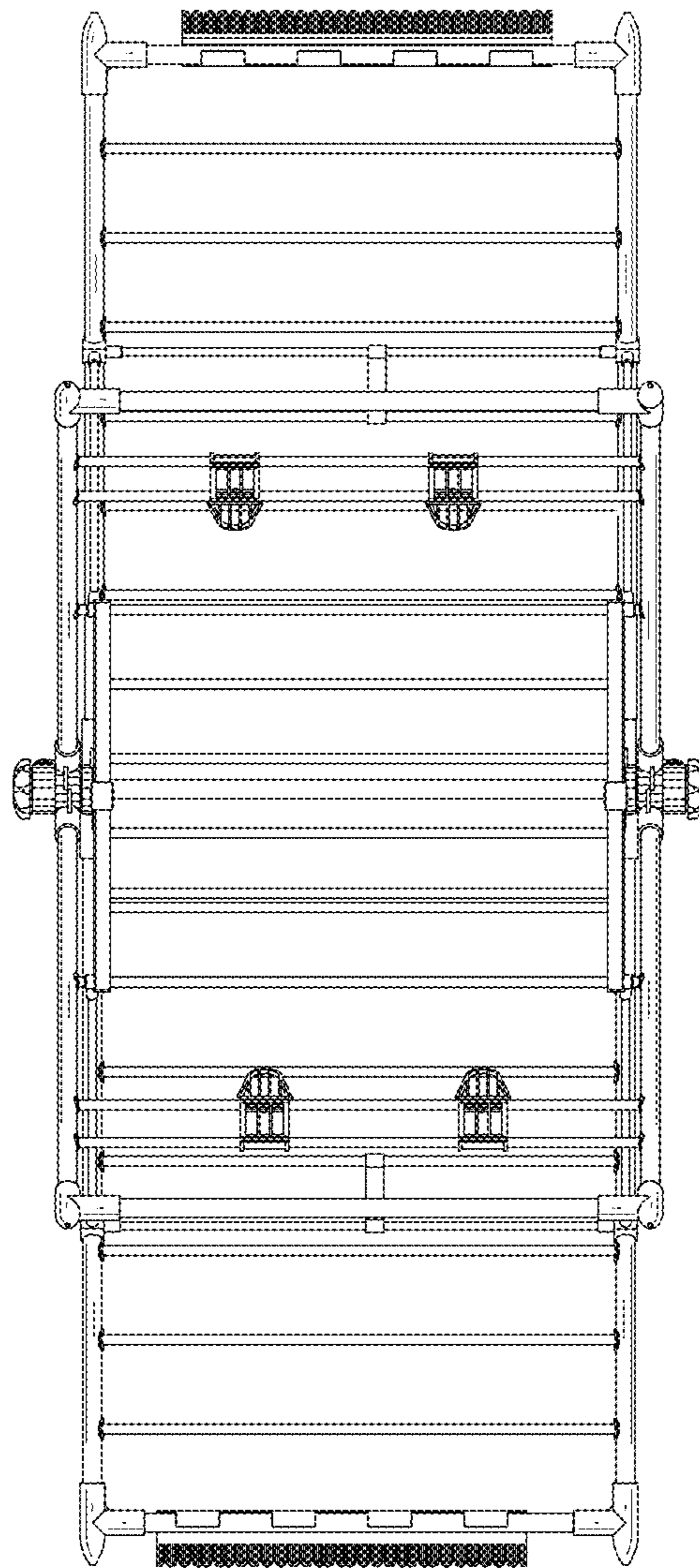


Fig. 3

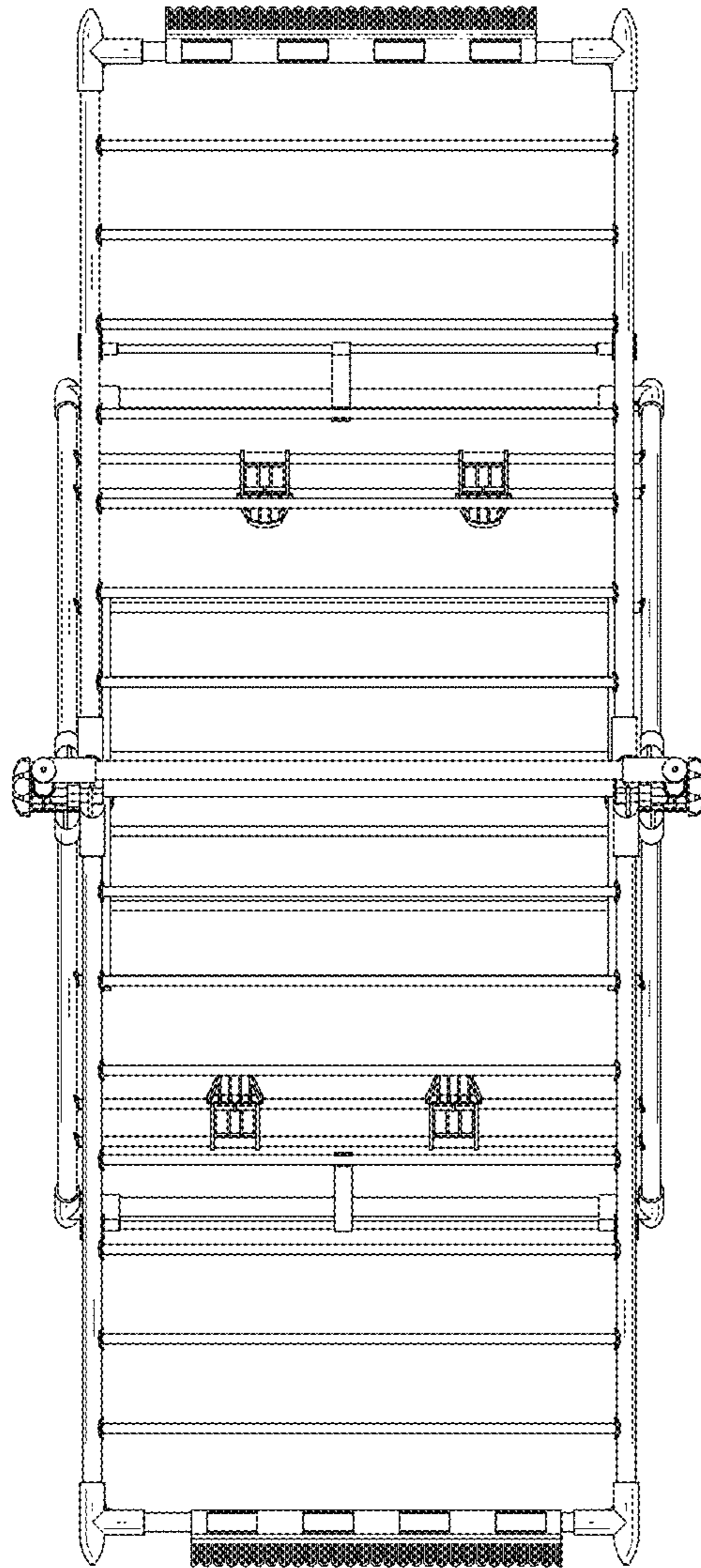


Fig. 4

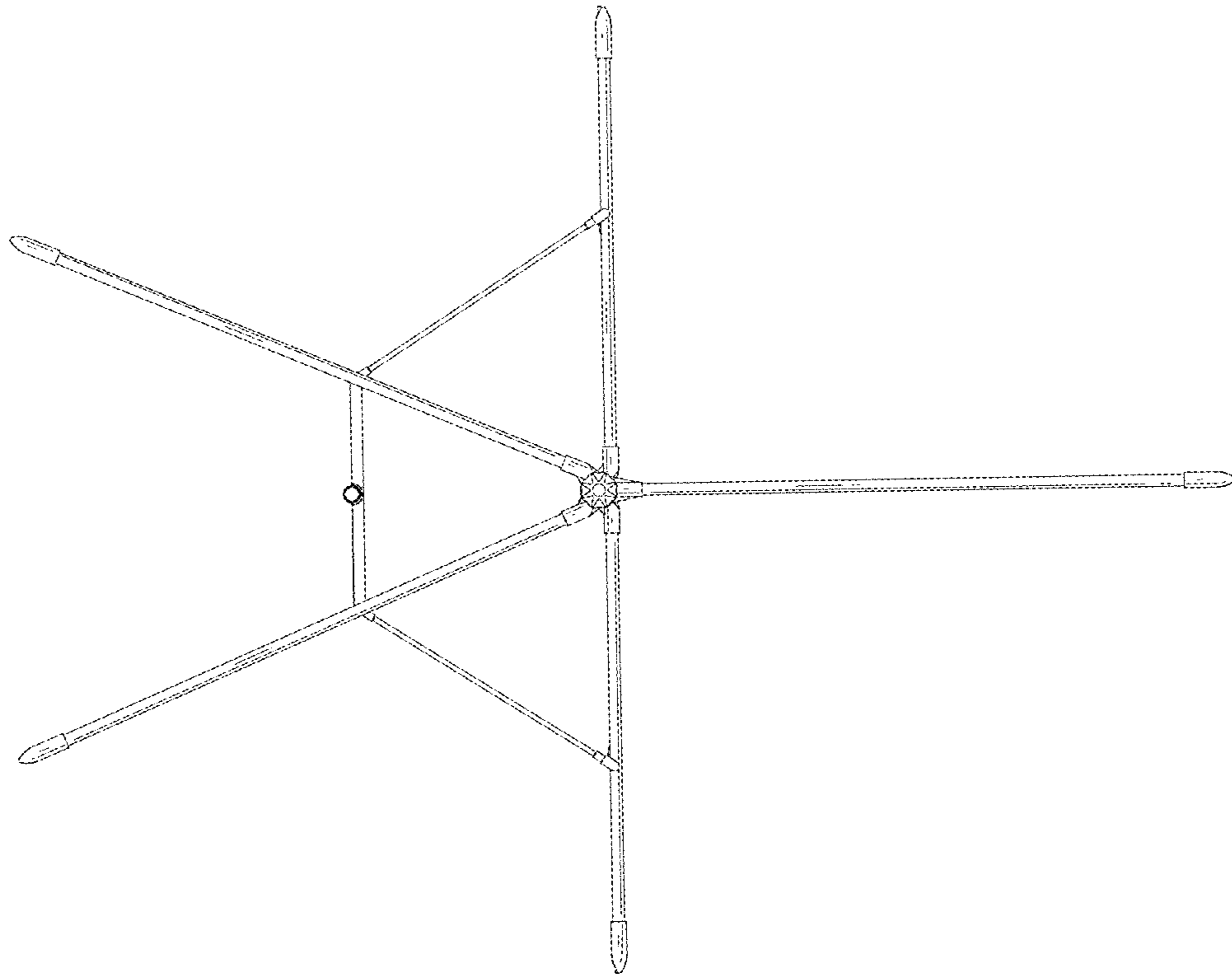


Fig. 5

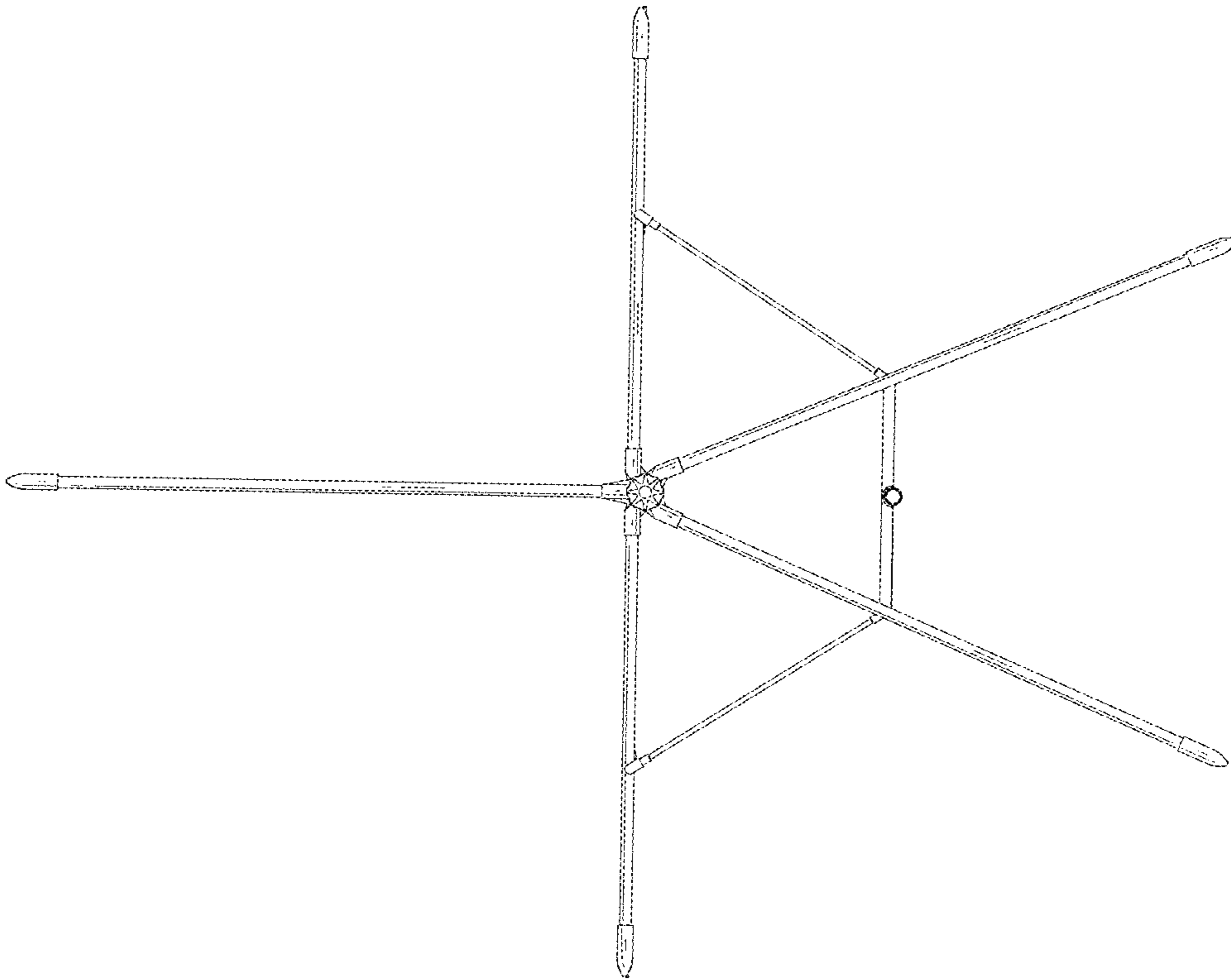


Fig. 6

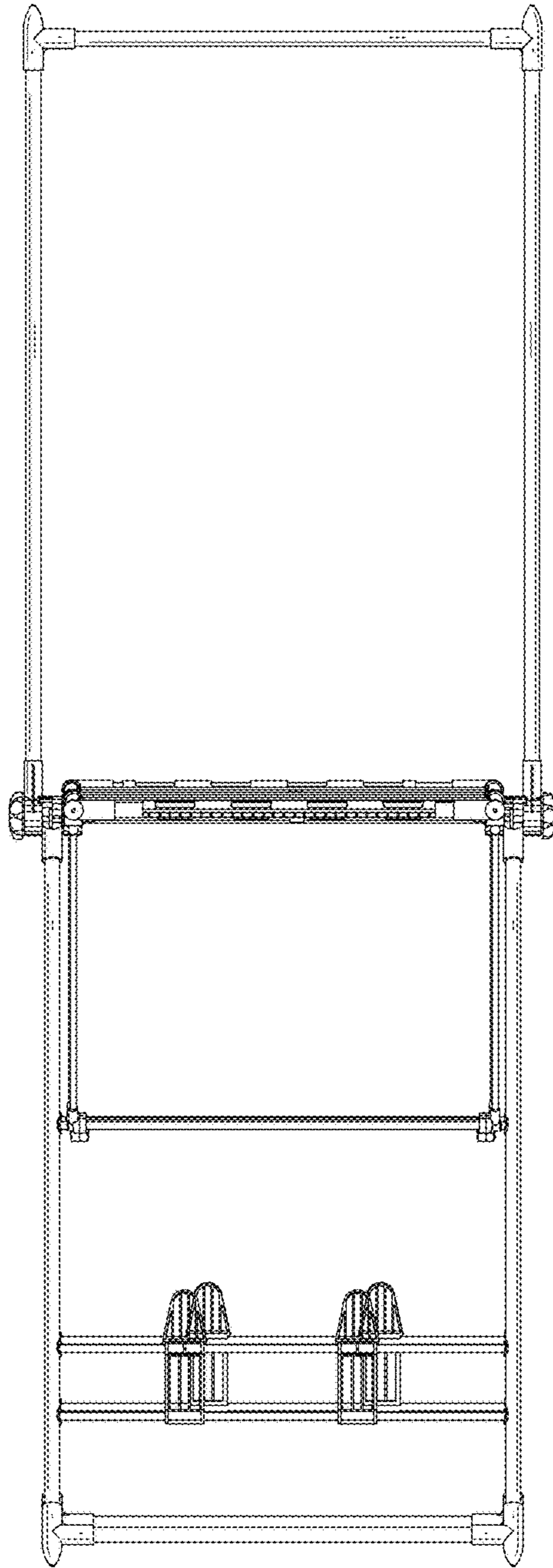


Fig. 7

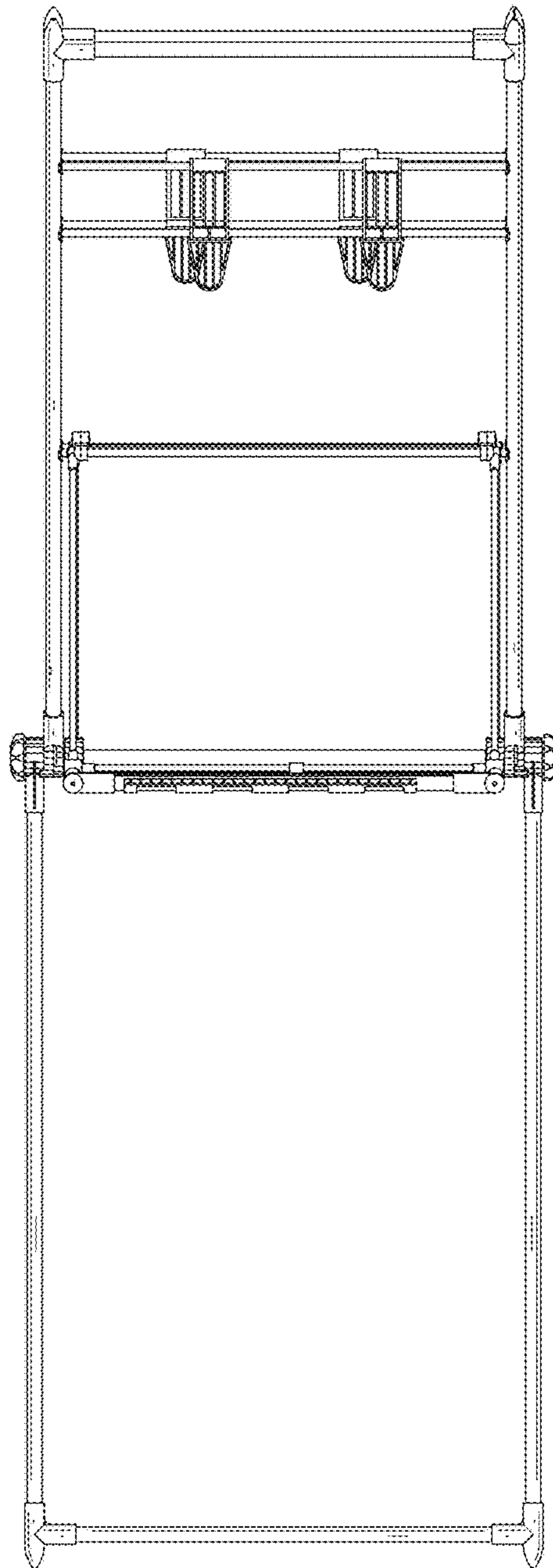


Fig. 8

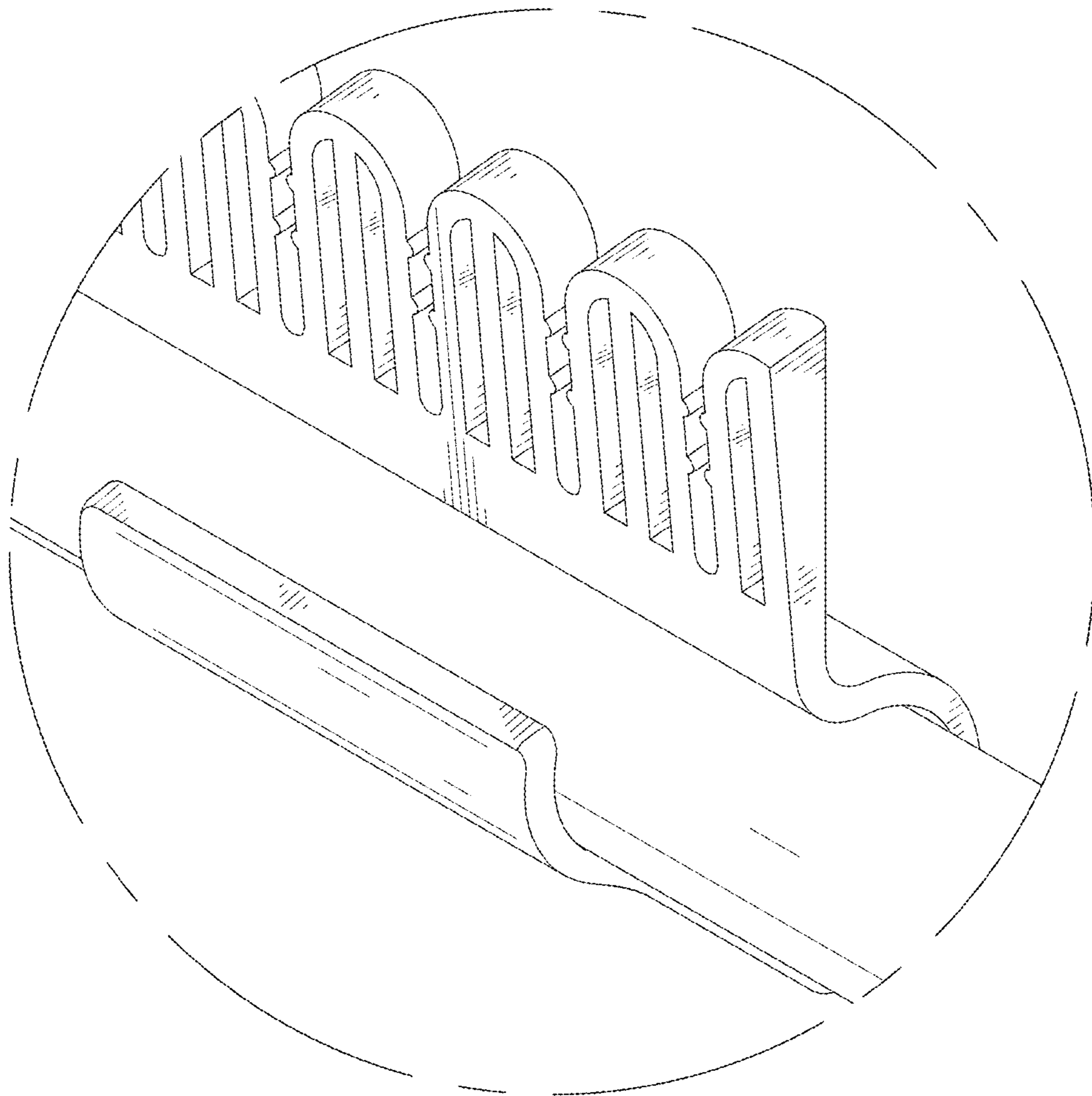


Fig. 9

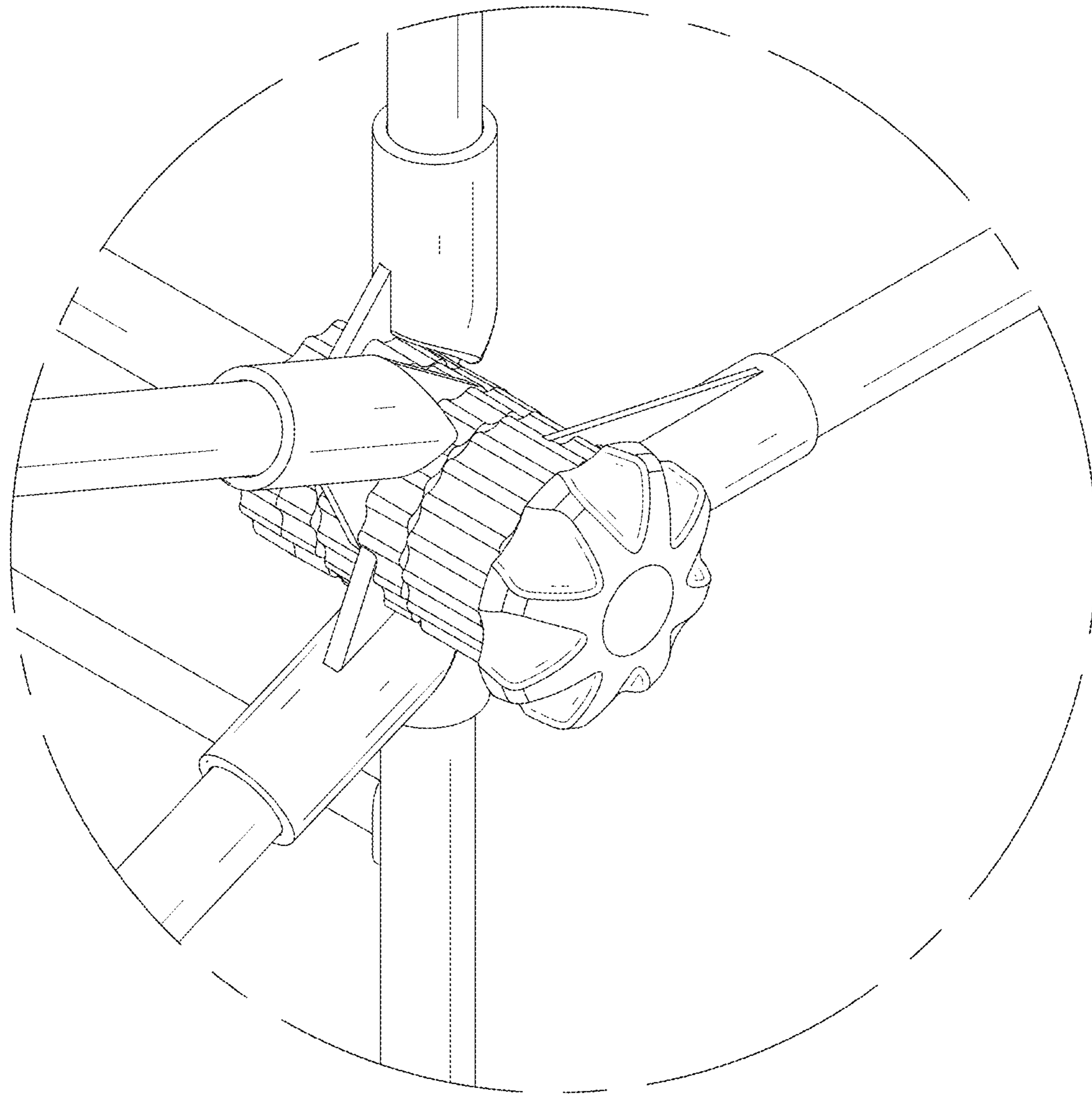


Fig. 10

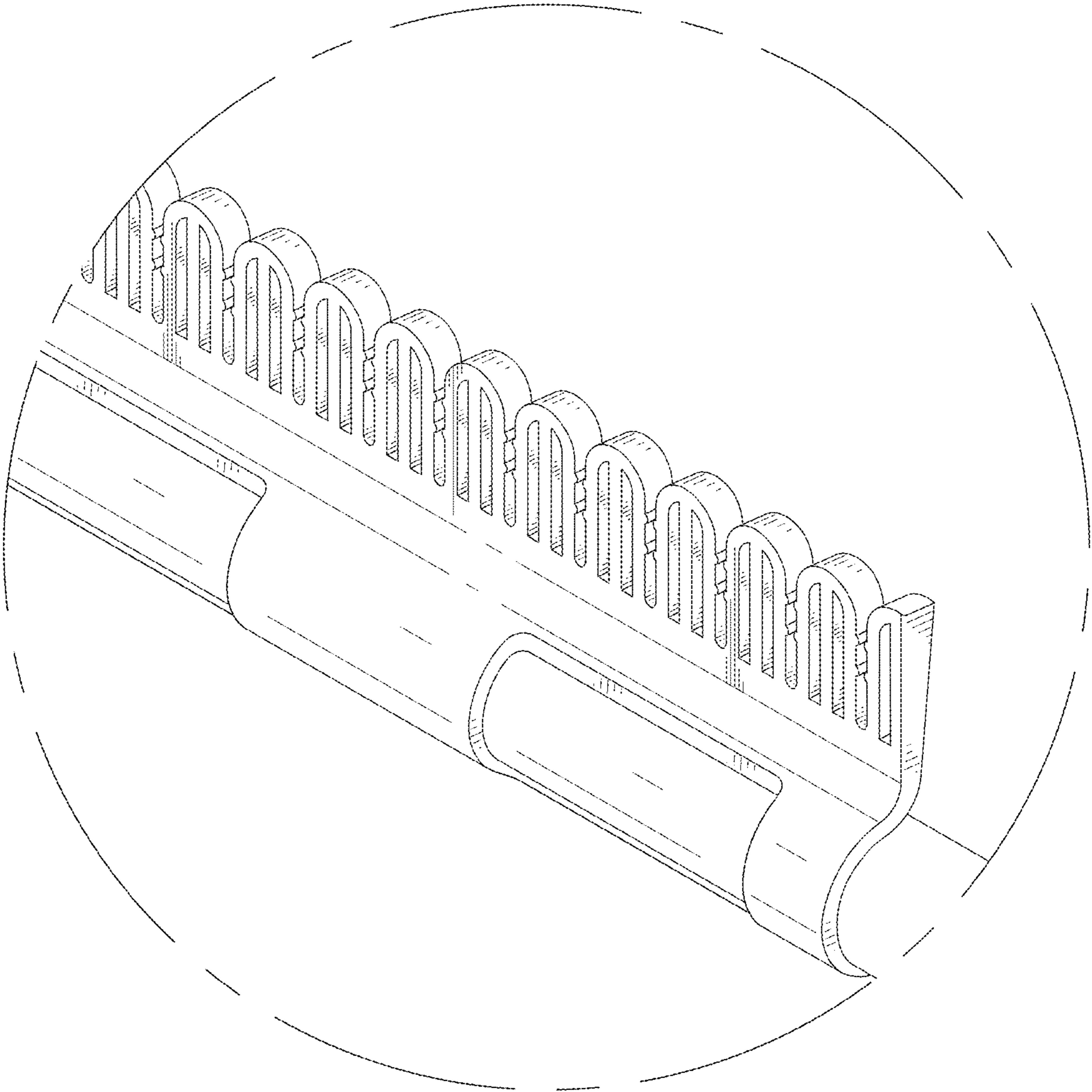


Fig. 11

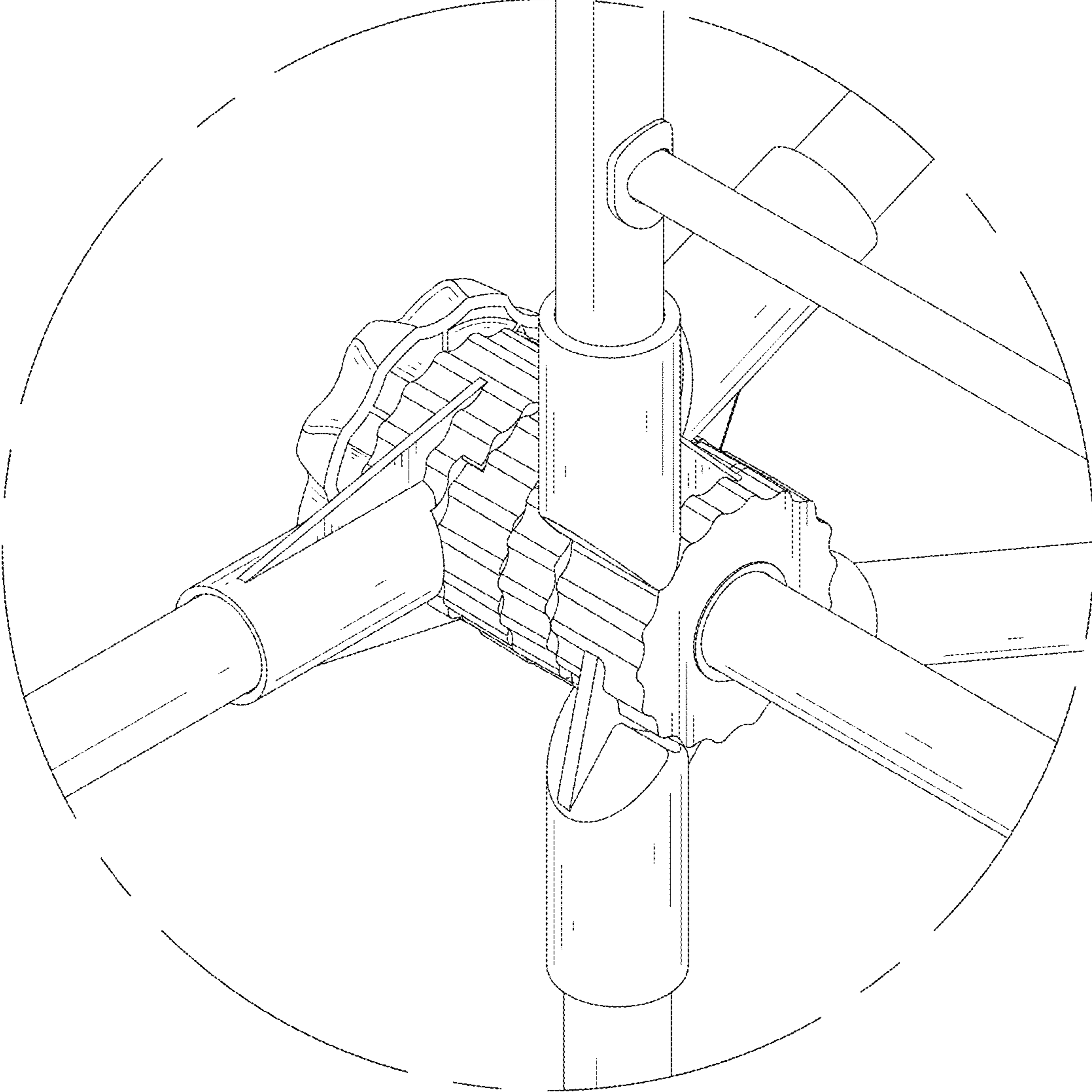


Fig. 12