



US00D827238S

(12) **United States Design Patent**
Larouche

(10) **Patent No.:** **US D827,238 S**

(45) **Date of Patent:** **** Aug. 28, 2018**

- (54) **SWIMMING POOL LEAF TOOL**
- (71) Applicant: **CPA POOL PRODUCTS, INC.**,
Blainville (CA)
- (72) Inventor: **Annie Larouche**, Mascouche (CA)
- (73) Assignee: **CPA POOL PRODUCTS, INC.**,
Blainville (CA)
- (**) Term: **15 Years**
- (21) Appl. No.: **29/562,985**
- (22) Filed: **Apr. 30, 2016**
- (51) **LOC (11) Cl.** **15-05**
- (52) **U.S. Cl.**
USPC **D32/35**
- (58) **Field of Classification Search**
USPC D32/35; D23/209-210; D22/135
CPC E04H 4/1609; B01D 29/27
See application file for complete search history.

- (56) **References Cited**
U.S. PATENT DOCUMENTS
3,220,037 A * 11/1965 Ruhling E04H 4/1609
15/1.7
4,846,972 A * 7/1989 Anderson E04H 4/1609
15/1.7
D330,444 S * 10/1992 Wall D22/135
6,302,277 B1 * 10/2001 Resh B01D 29/27
15/1.7

- D488,602 S * 4/2004 Pecci D32/35
- D492,825 S * 7/2004 Pecci D32/35
- D638,182 S * 5/2011 Rossano D32/35
- D761,498 S * 7/2016 Minter D30/162
- D762,929 S * 8/2016 Minter D30/162
- D763,520 S * 8/2016 Runyan D30/162

* cited by examiner

Primary Examiner — Michelle E. Wilson
(74) *Attorney, Agent, or Firm* — Hodgson Russ LLP

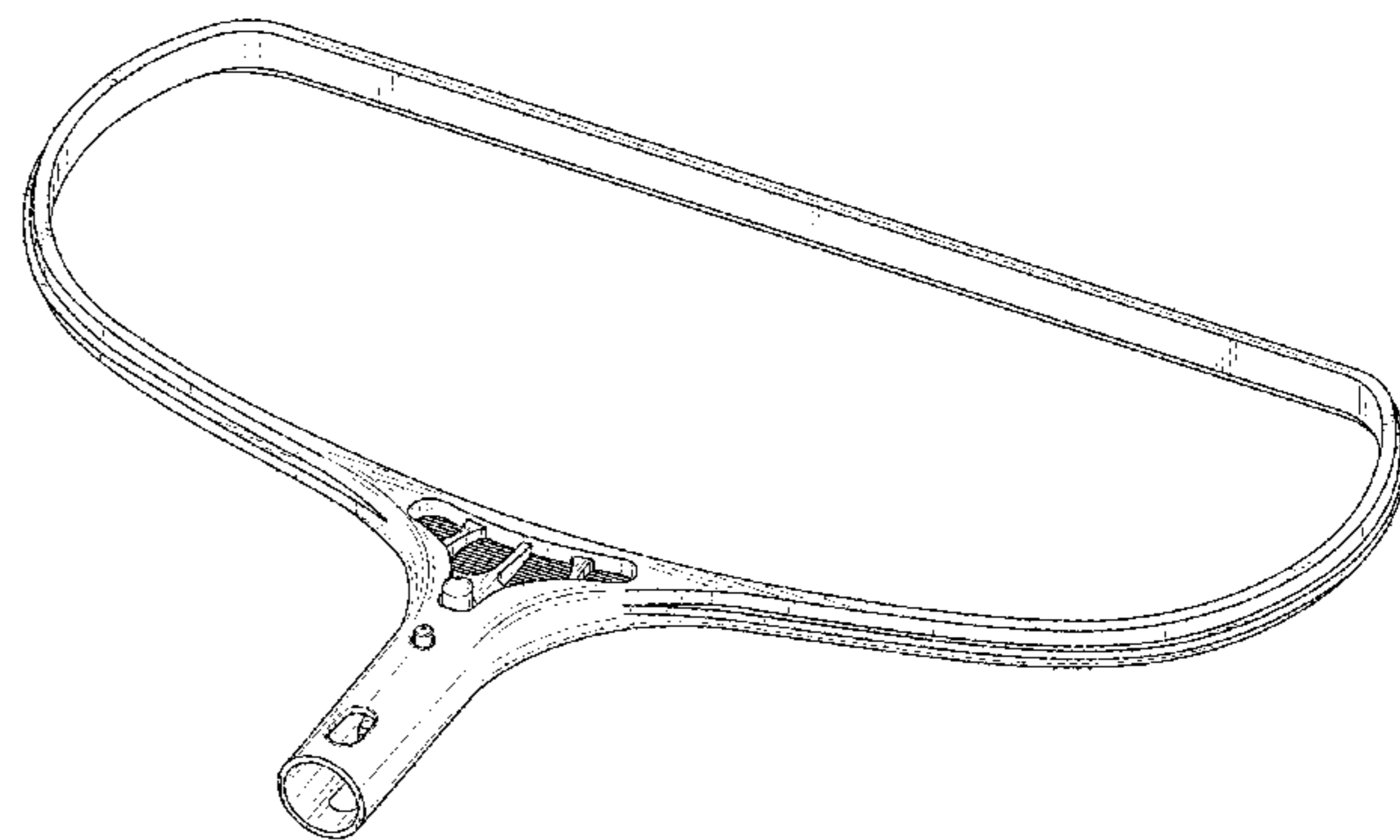
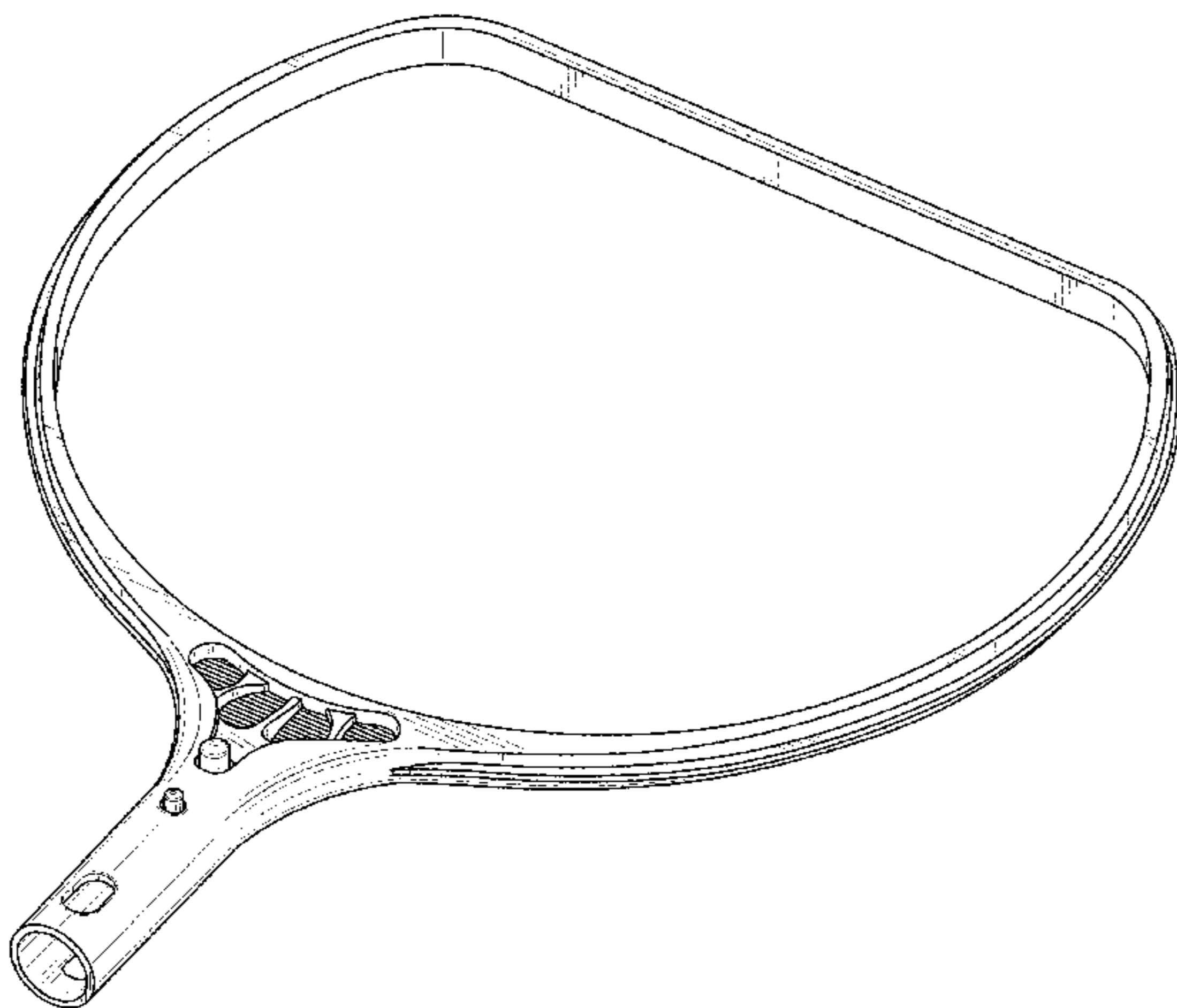
(57) **CLAIM**
The ornamental design for a swimming pool leaf tool, as shown and described.

DESCRIPTION

FIG. 1 is a front perspective view of a first embodiment of a swimming pool leaf tool showing my new design;
 FIG. 2 is a top view thereof;
 FIG. 3 is a bottom view thereof;
 FIG. 4 is a left side elevational view thereof;
 FIG. 5 is a right side elevational view thereof;
 FIG. 6 is a rear elevational view thereof;
 FIG. 7 is a front elevational view thereof;
 FIG. 8 is a front perspective view of a second embodiment of a swimming pool leaf tool;
 FIG. 9 is a top view thereof;
 FIG. 10 is a bottom view thereof;
 FIG. 11 is a left side elevational view thereof;
 FIG. 12 is a right side elevational view thereof;
 FIG. 13 is a rear elevational view thereof; and,
 FIG. 14 is a front elevational view thereof.

The broken lines illustrate unclaimed portions of the swimming pool leaf tool that form no part of the claimed design.

1 Claim, 10 Drawing Sheets



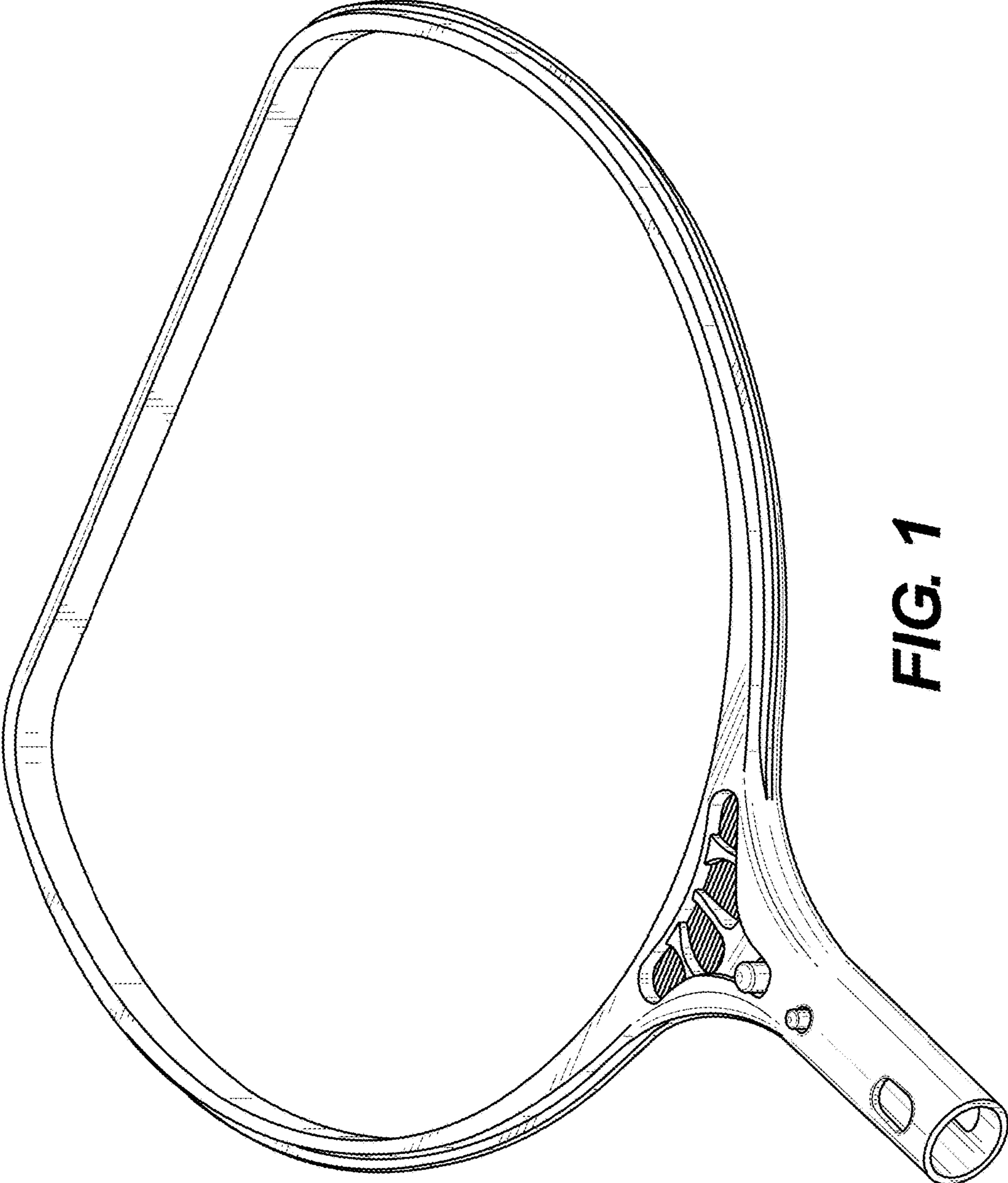


FIG. 1

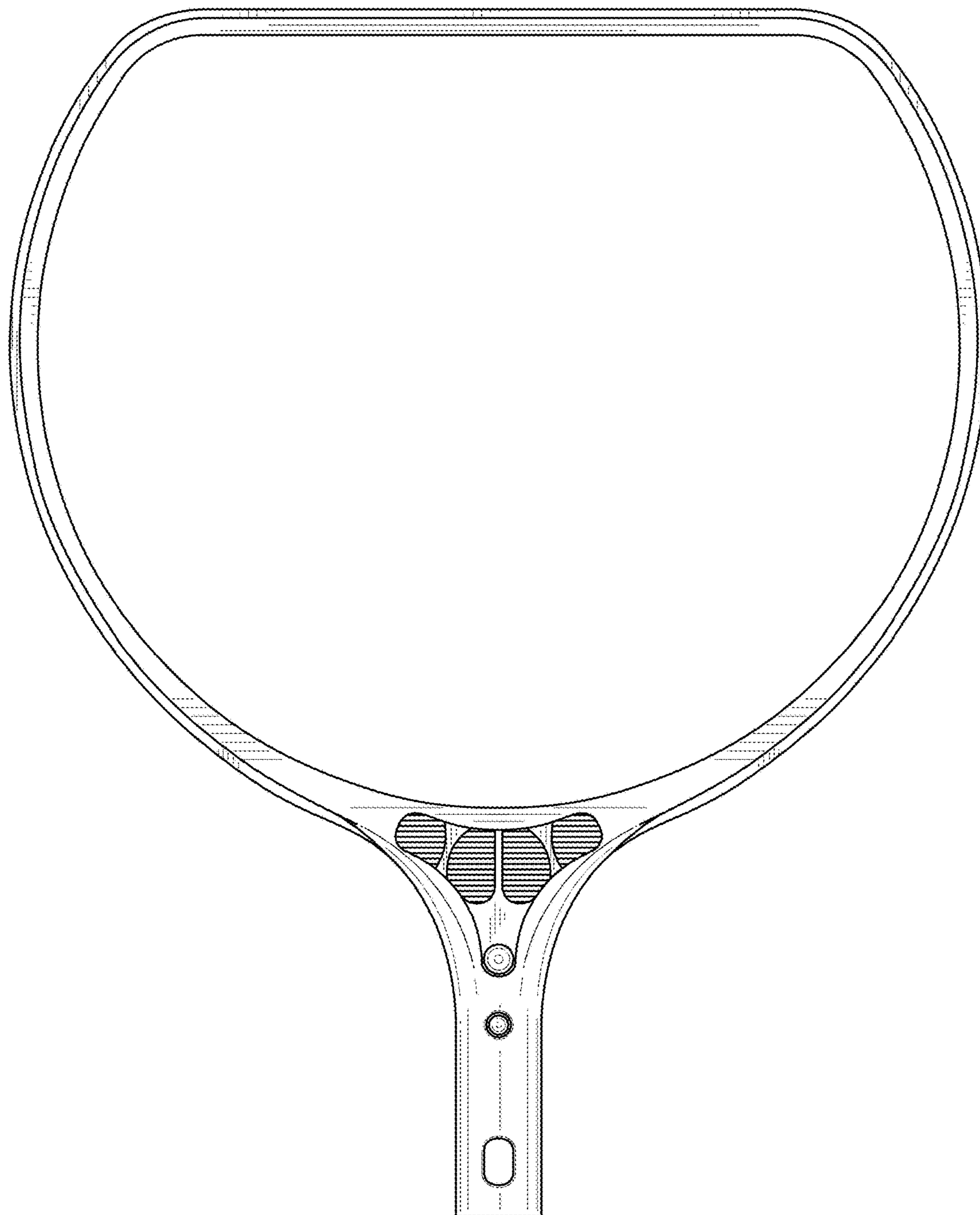


FIG. 2

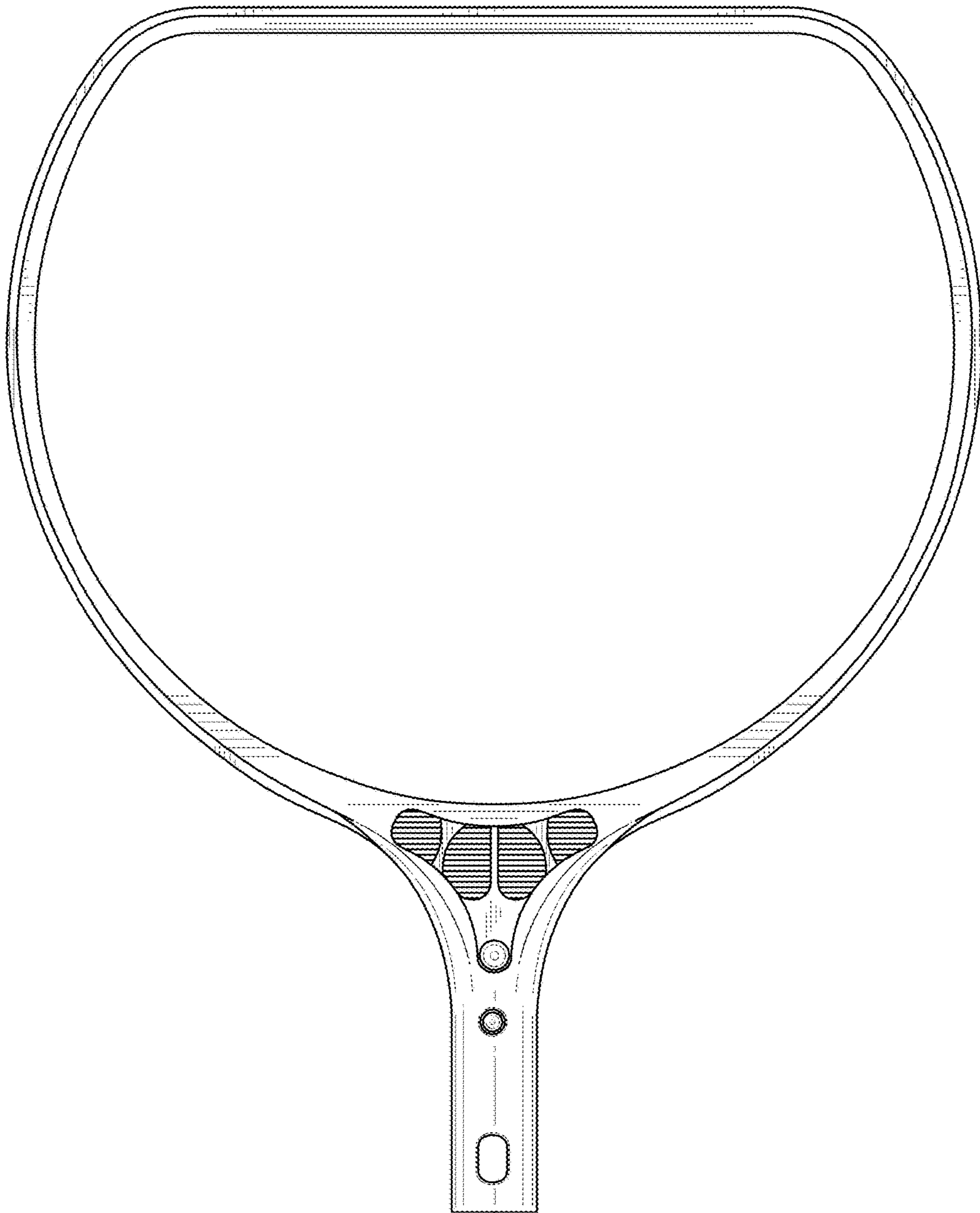


FIG. 3

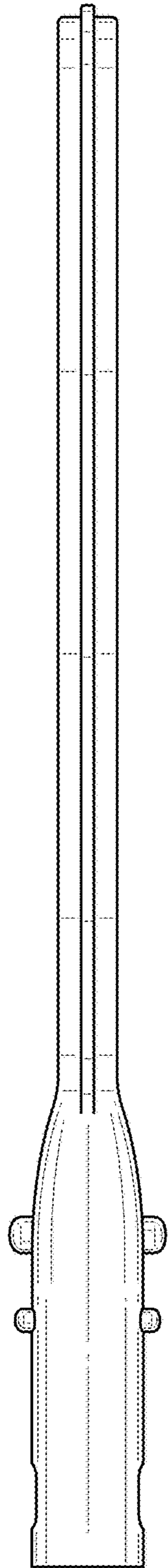


FIG. 4

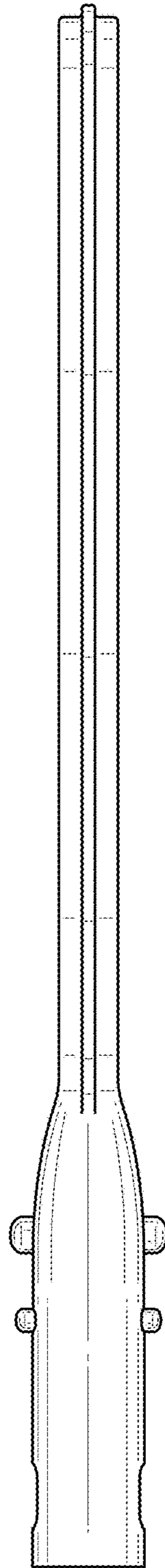


FIG. 5

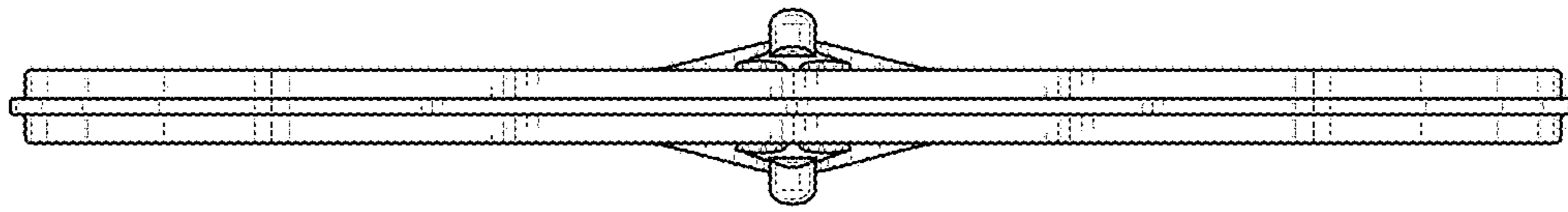


FIG. 6

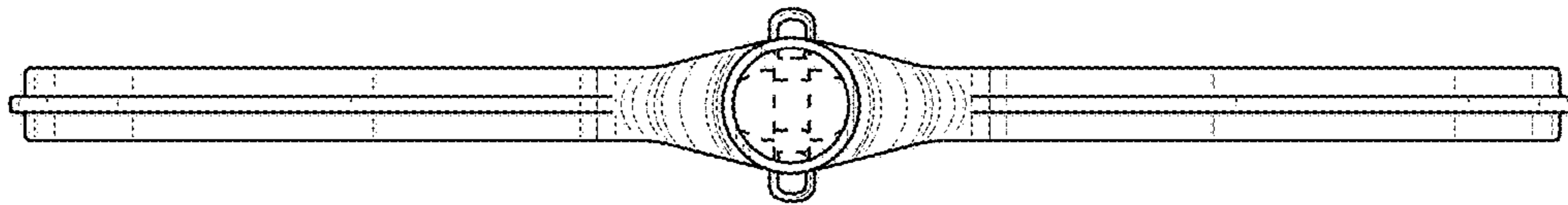


FIG. 7

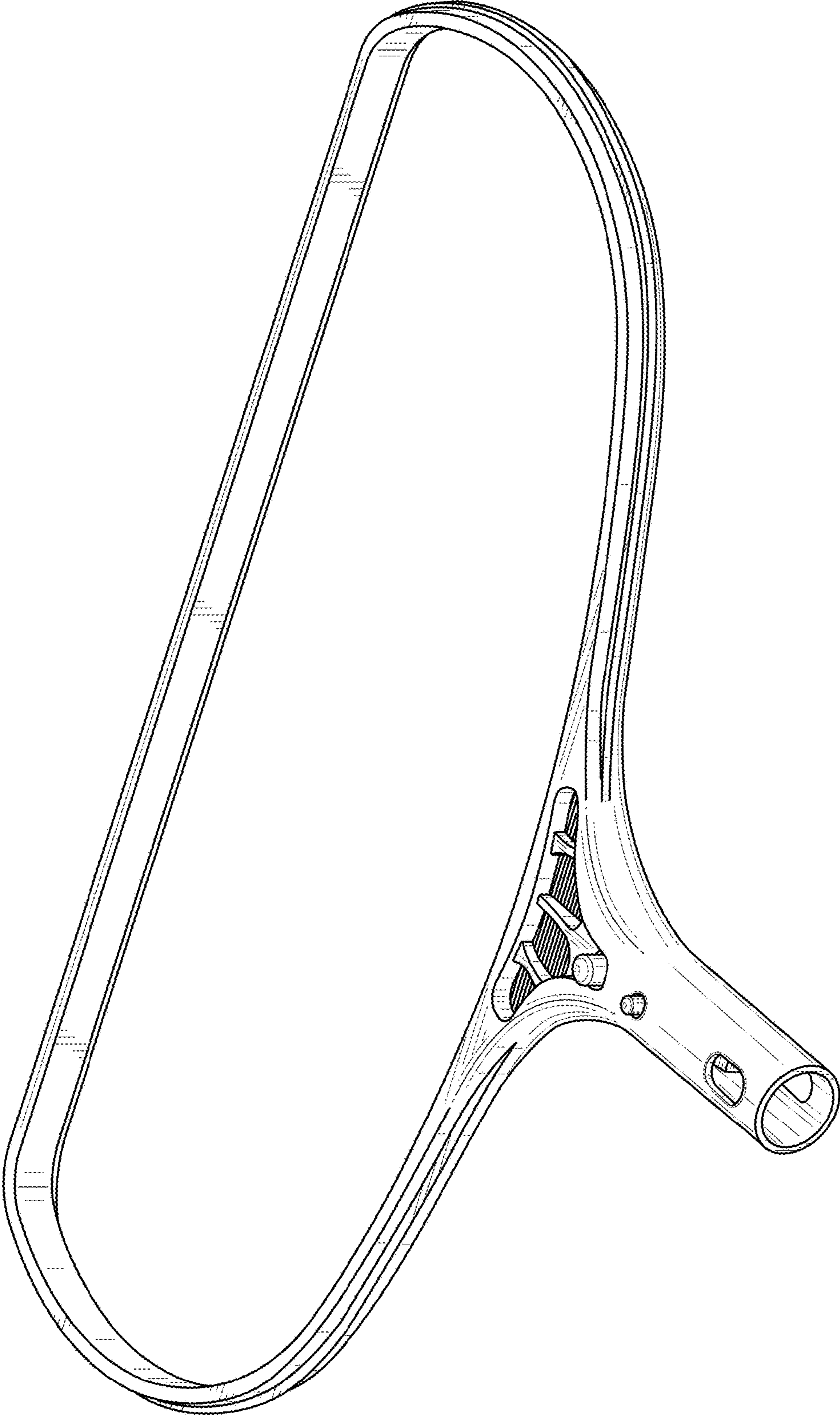


FIG. 8

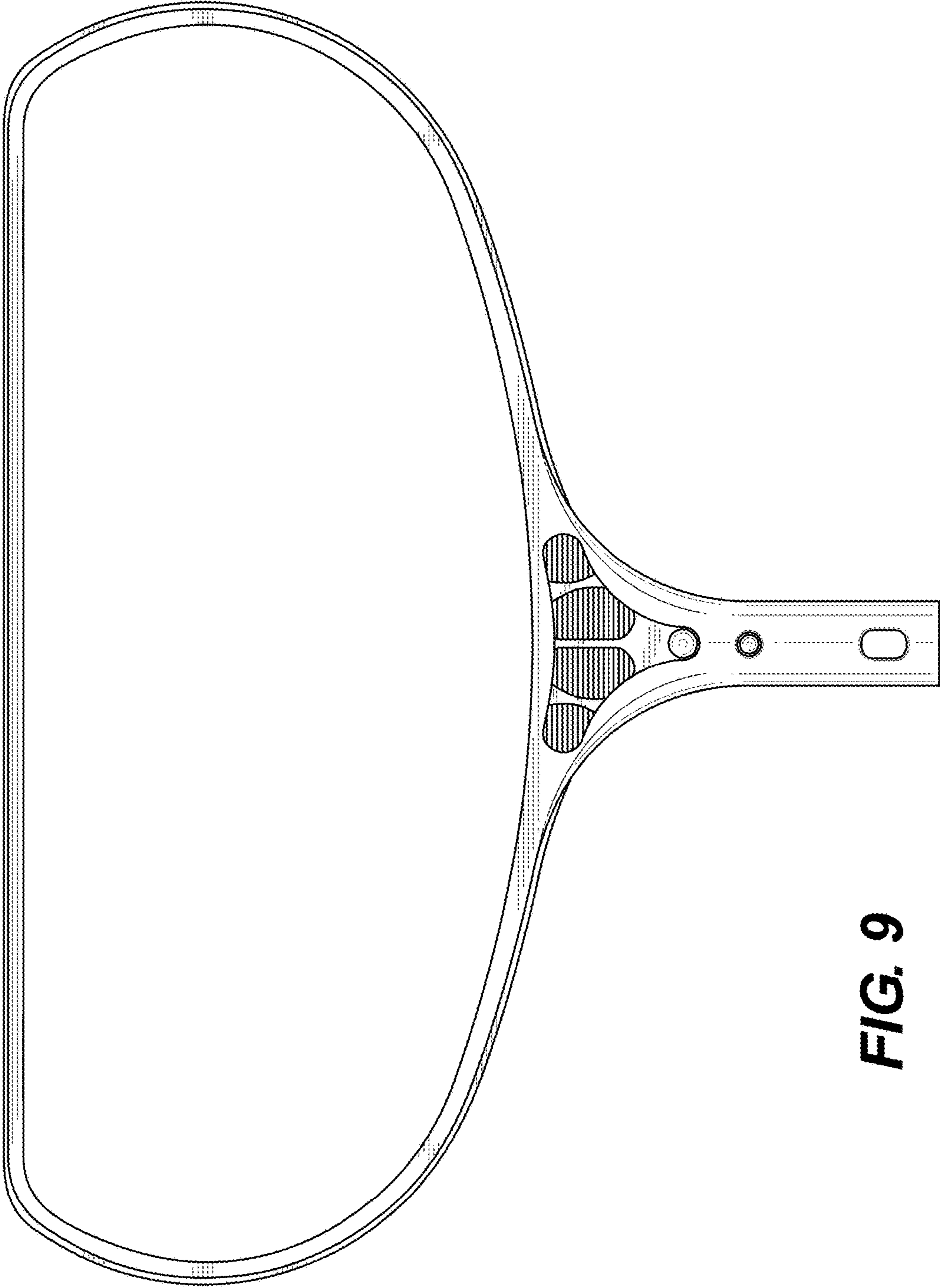


FIG. 9

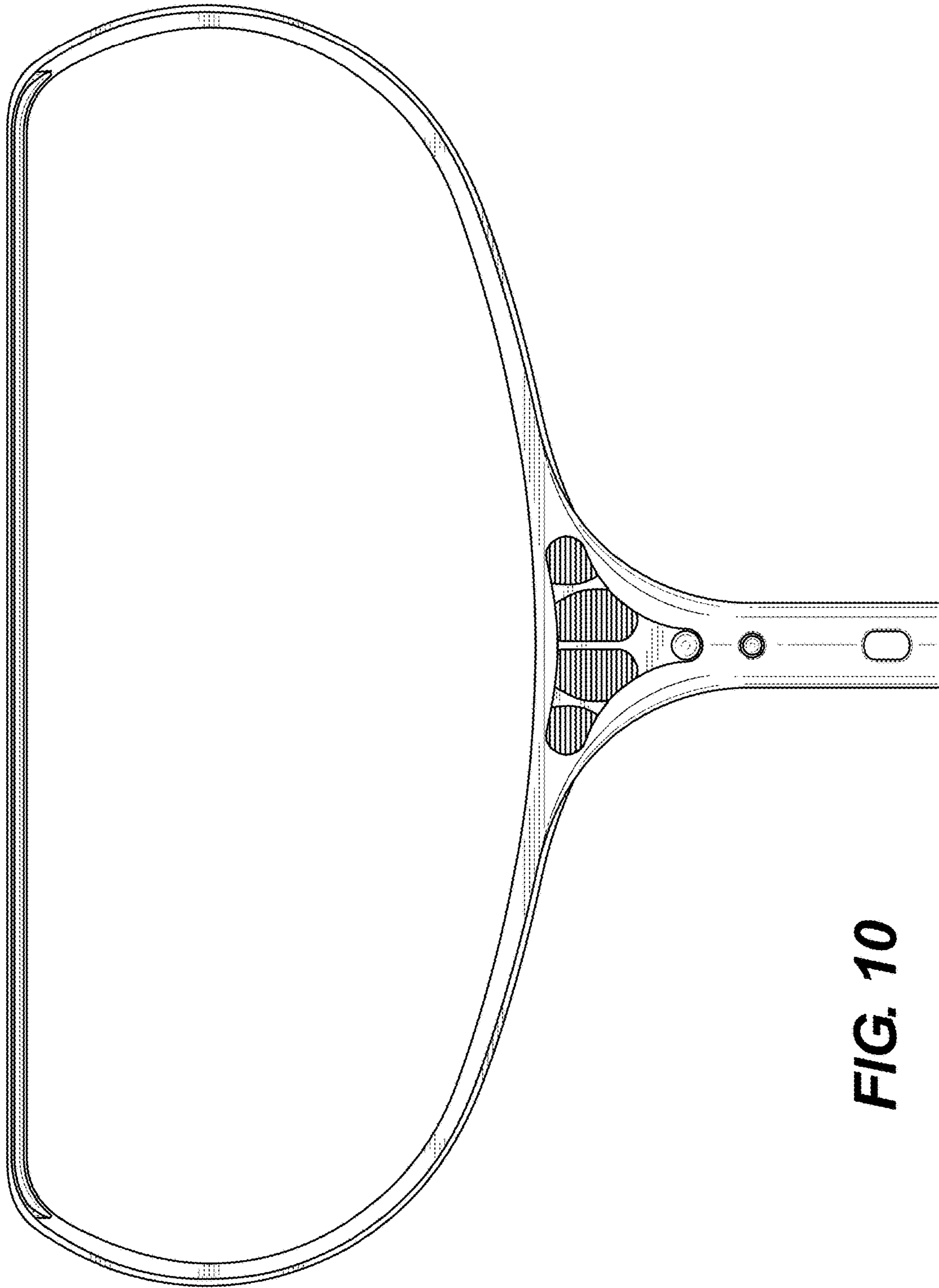


FIG. 10

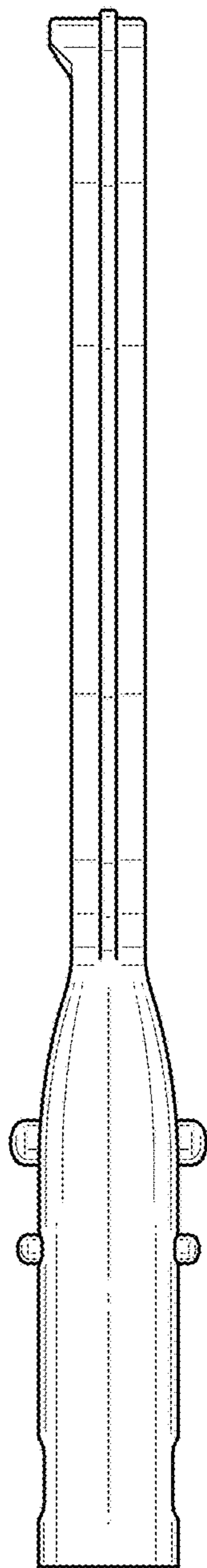


FIG. 11

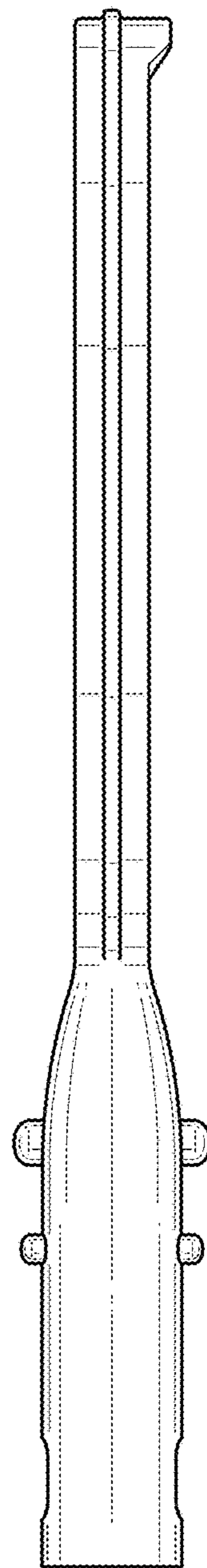


FIG. 12

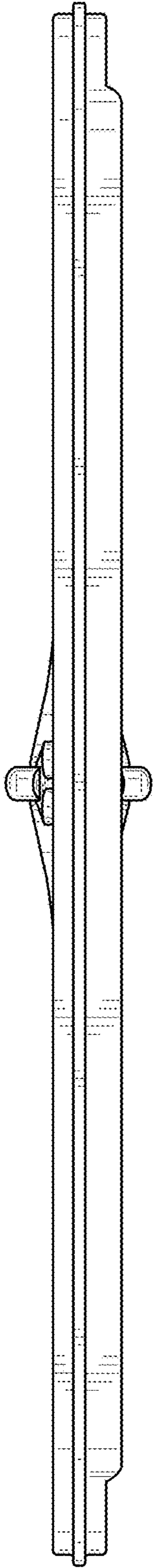


FIG. 13

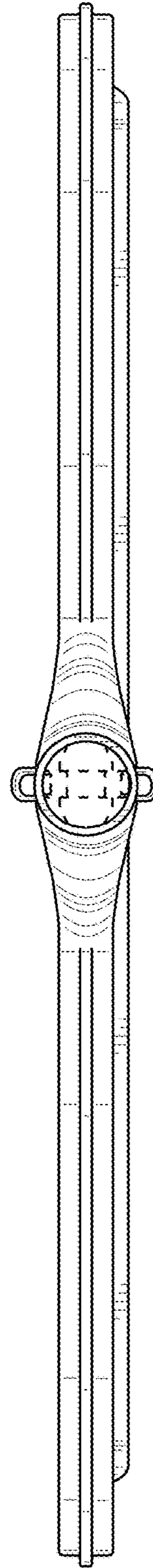


FIG. 14