



US00D827235S

(12) **United States Design Patent** (10) **Patent No.:** **US D827,235 S**
Ha et al. (45) **Date of Patent:** **** Aug. 28, 2018**

(54) **WASHING MACHINE**

D06F 35/006; D06F 37/28; D06F 39/14;
D06F 58/203

(71) Applicant: **LG ELECTRONICS INC.**, Seoul
(KR)

See application file for complete search history.

(72) Inventors: **Youngsoo Ha**, Seoul (KR); **Taewoo Yoo**, Seoul (KR); **Eunyoung Chee**, Seoul (KR); **Byeongkook Kim**, Seoul (KR); **Jaecil Bae**, Seoul (KR); **Jeaseok Seong**, Seoul (KR)

(56) **References Cited**

U.S. PATENT DOCUMENTS

3,026,699 A * 3/1962 Rhodes D06F 29/00
68/12.19
5,253,493 A * 10/1993 Ohashi D06F 39/14
220/812
D460,588 S * 7/2002 Son D32/6
7,296,443 B2 * 11/2007 Usherovich D06F 39/14
312/228.1
7,913,419 B2 * 3/2011 Tomasi D06F 29/00
211/85.3
D704,907 S * 5/2014 Yoo D32/6
D709,657 S * 7/2014 Shin D32/25
D711,605 S * 8/2014 Jo D32/25
D754,407 S * 4/2016 Chung D32/25
9,315,934 B2 * 4/2016 Kim D06F 29/00
D755,457 S * 5/2016 Chung D32/25
D755,458 S * 5/2016 Jeon D32/25
D756,578 S * 5/2016 Chung D32/25
9,340,915 B2 * 5/2016 Kim D06F 29/00
D760,454 S * 6/2016 Joo D32/6
D783,212 S * 4/2017 Jeon D32/6

(73) Assignee: **LG ELECTRONICS INC.**, Seoul
(KR)

(**) Term: **15 Years**

(21) Appl. No.: **35/502,175**

(22) Filed: **Jun. 27, 2016**

(80) **Hague Agreement Data**

Int. Filing Date: **Jun. 27, 2016**

Int. Reg. No.: **DM/091428**

Int. Reg. Date: **Jun. 27, 2016**

Int. Reg. Pub. Date: **Dec. 30, 2016**

(30) **Foreign Application Priority Data**

Dec. 30, 2015 (KR) 30-2015-0067253

(51) **LOC (11) Cl.** **15-05**

(52) **U.S. Cl.**

USPC **D32/25**

CPC **D06F 25/00** (2013.01)

(58) **Field of Classification Search**

USPC D32/1, 5, 6, 26-28

CPC D06F 33/02; D06F 2204/065; D06F 25/00;

(Continued)

Primary Examiner — Richard E Chilcot

(74) *Attorney, Agent, or Firm* — Birch, Stewart, Kolasch & Birch, LLP

(57) **CLAIM**

The ornamental design for a washing machine, as shown and described.

DESCRIPTION

1. Washing machine

1.1 is a perspective view of a washing machine, showing our new design;

1.2 is a front elevation view thereof;

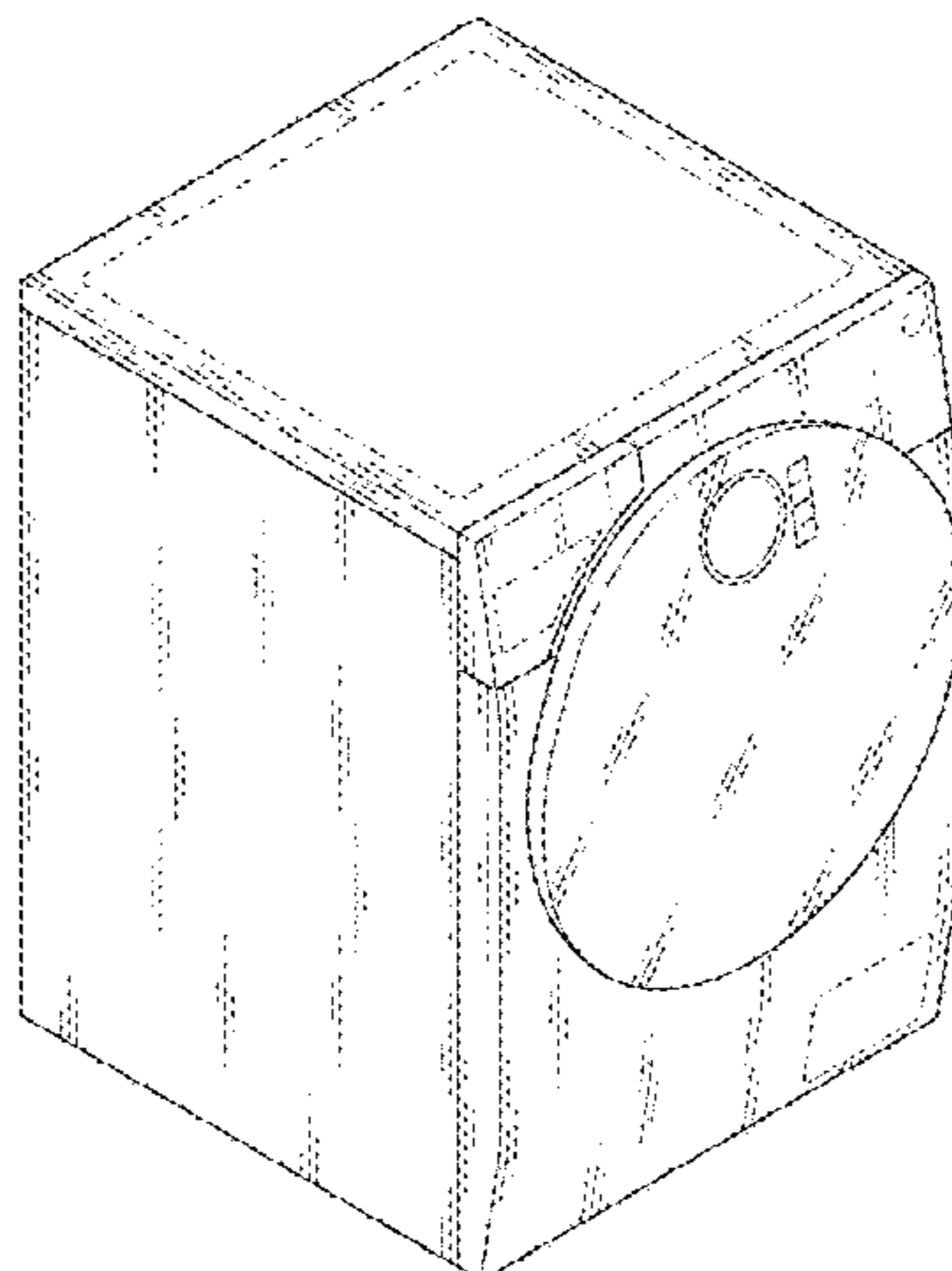
1.3 is a rear elevation view thereof;

1.4 is a left-side elevation view thereof;

1.5 is a right-side elevation view thereof;

1.6 is a top plan view thereof;

(Continued)



1.7 is a bottom plan view thereof; and
1.8 is a perspective view thereof, in a use condition.
The broken line showing in the figures is for the purpose of illustrating portions of the washing machine and forms no part of the claimed design.

1 Claim, 8 Drawing Sheets

(56)

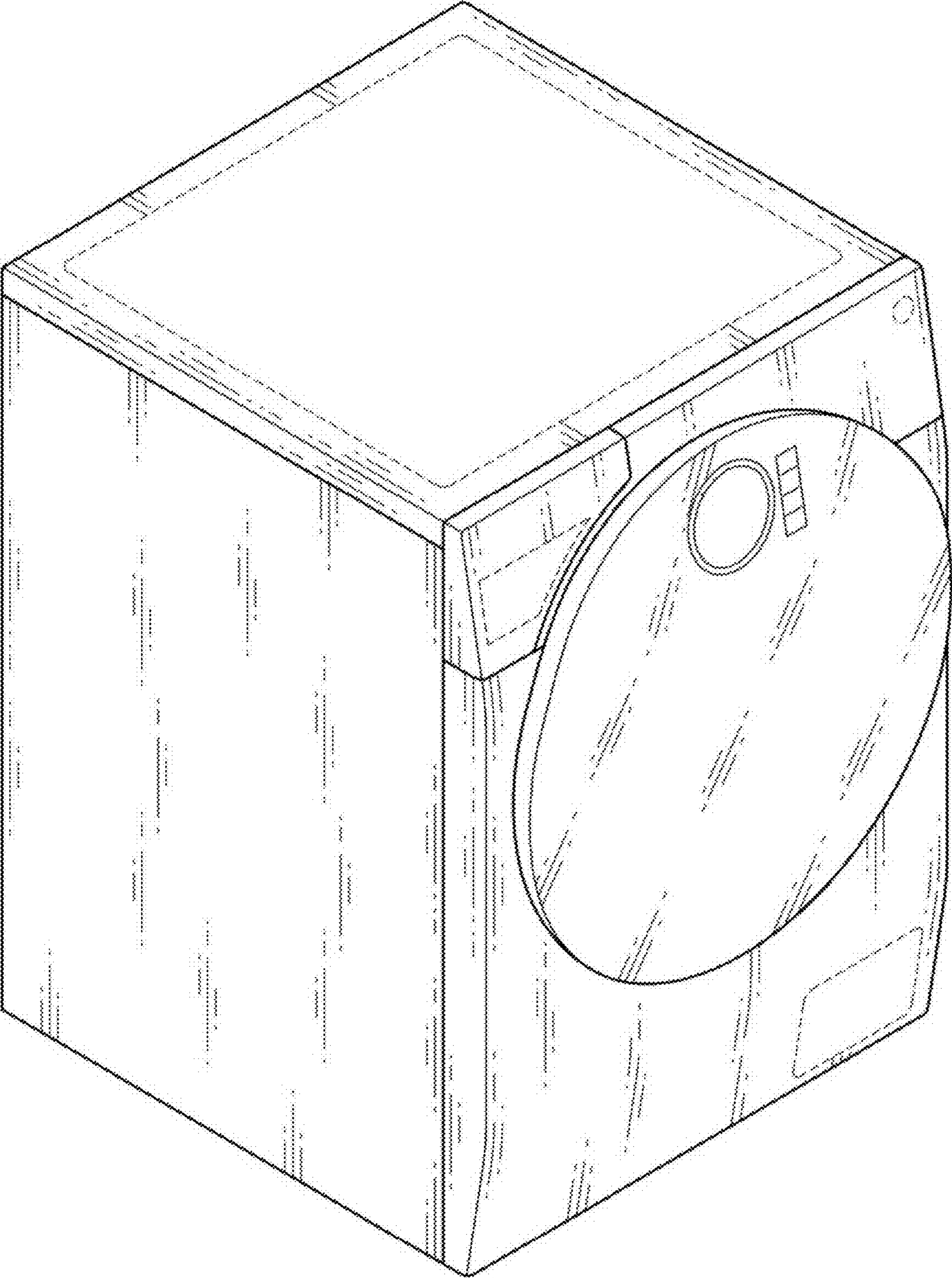
References Cited

U.S. PATENT DOCUMENTS

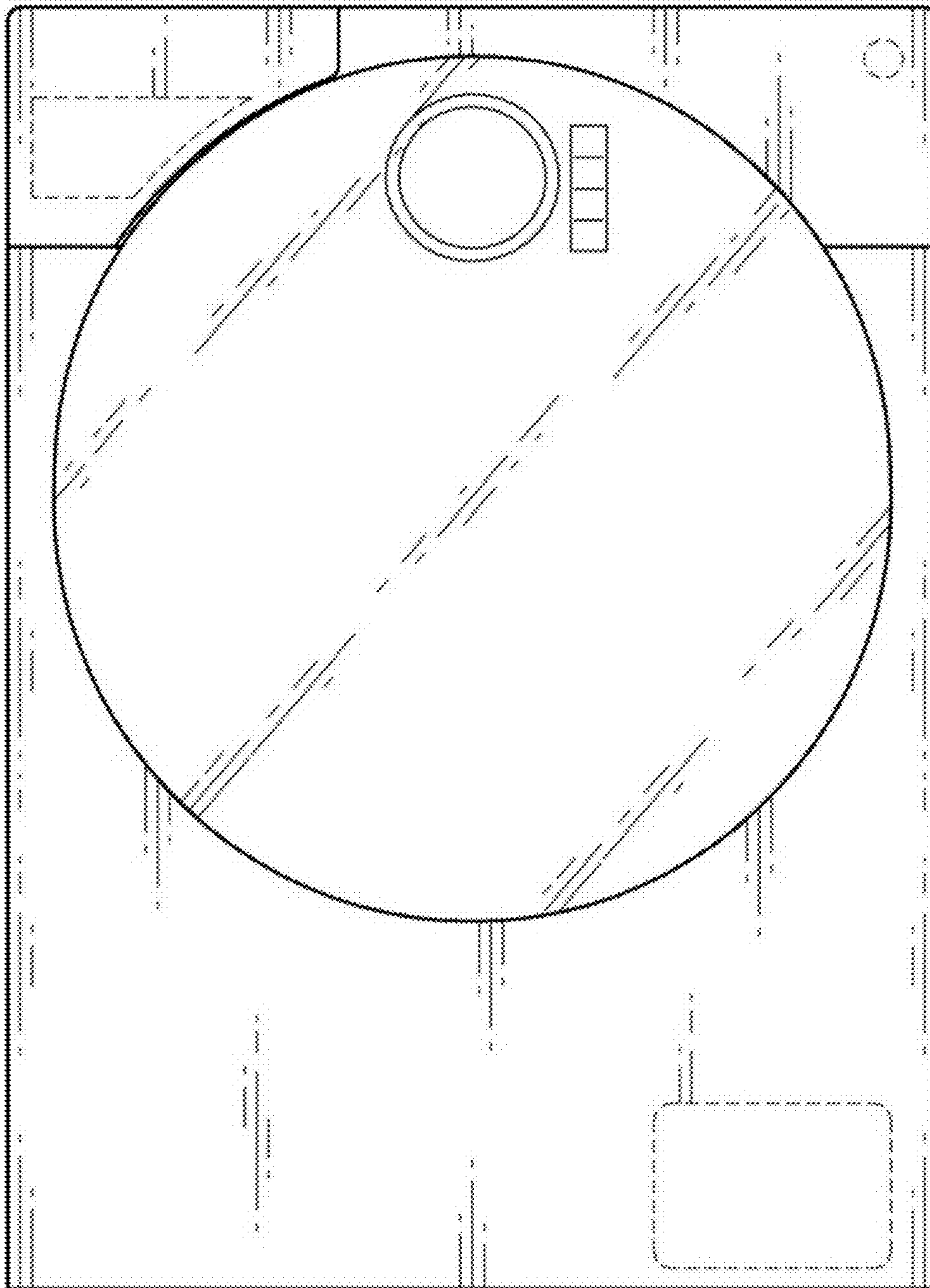
D783,213 S *	4/2017	Jeon	D32/6
D783,214 S *	4/2017	Jeon	D32/6
D784,637 S *	4/2017	Kim	D32/25
D788,385 S *	5/2017	Jeon	D32/6
D792,035 S *	7/2017	Chung	D32/6
D794,265 S *	8/2017	Chung	D32/6

* cited by examiner

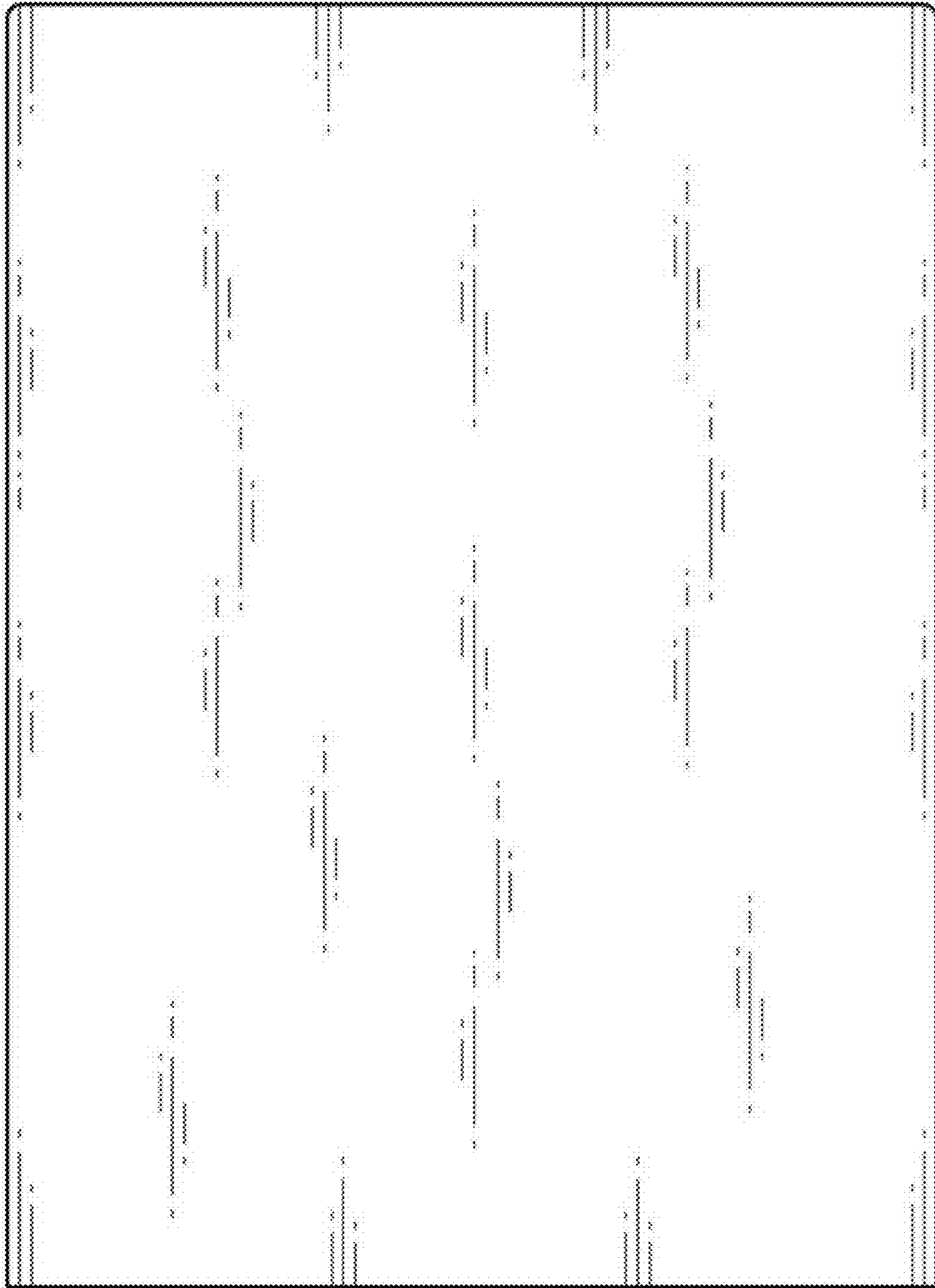
1.1



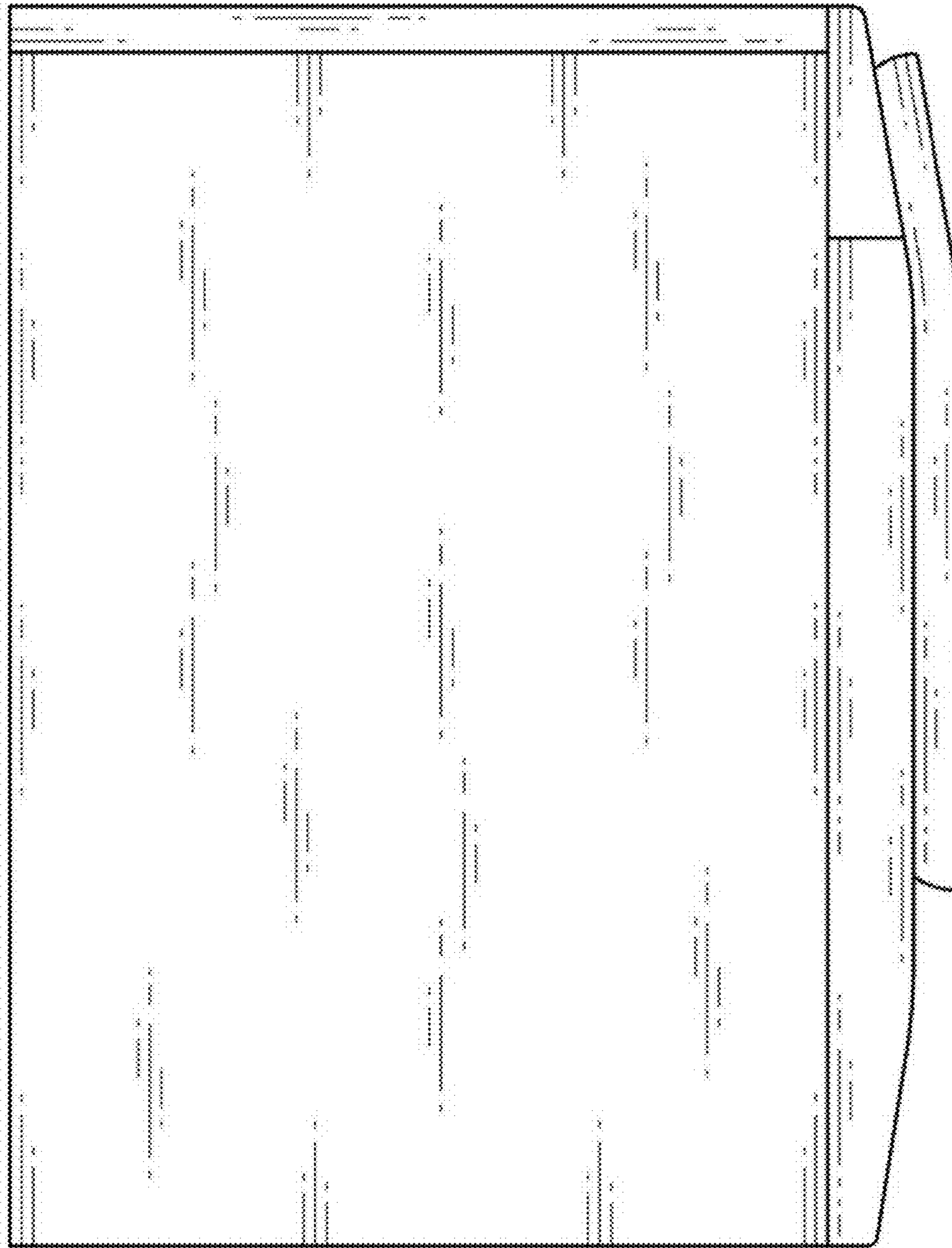
1.2



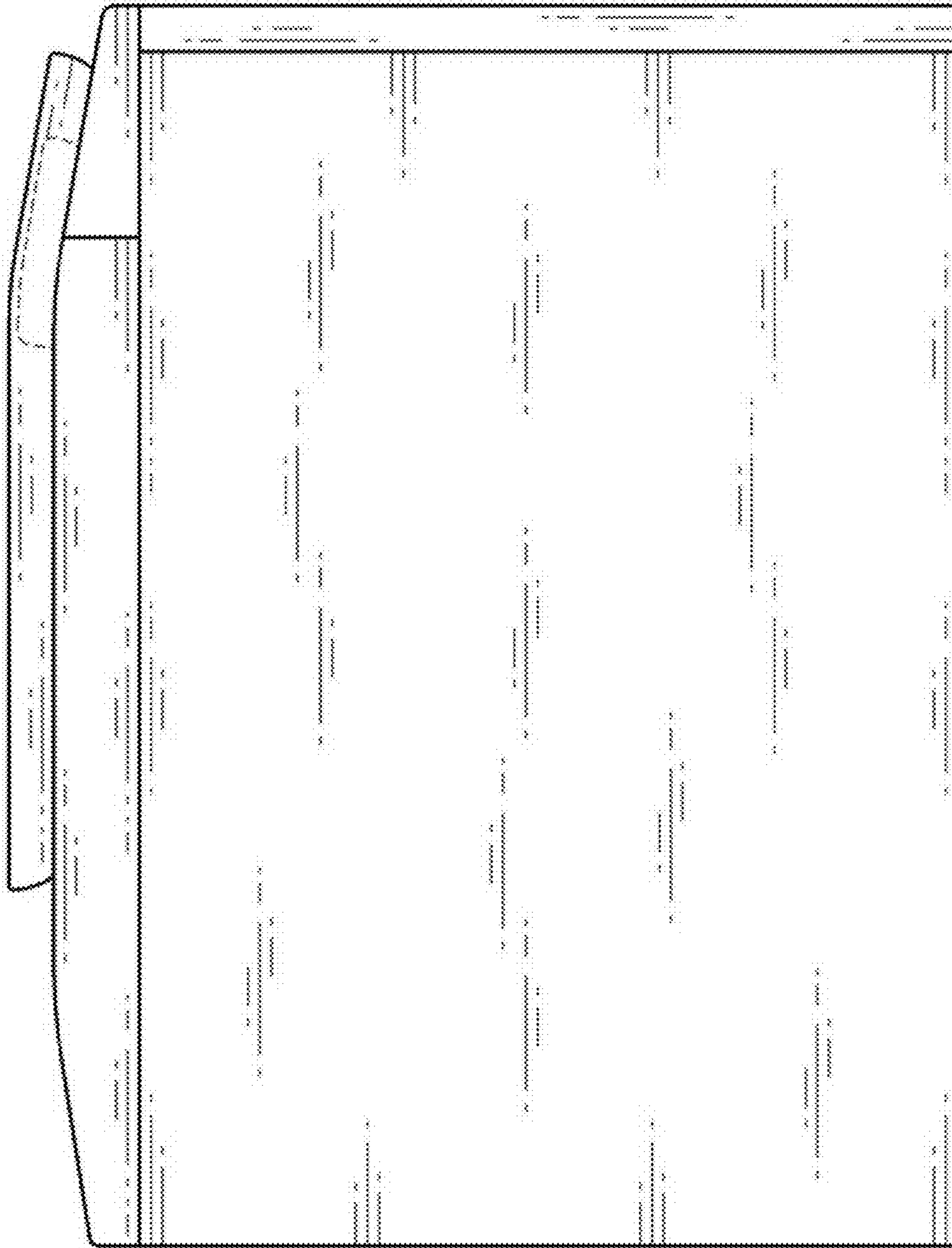
1.3



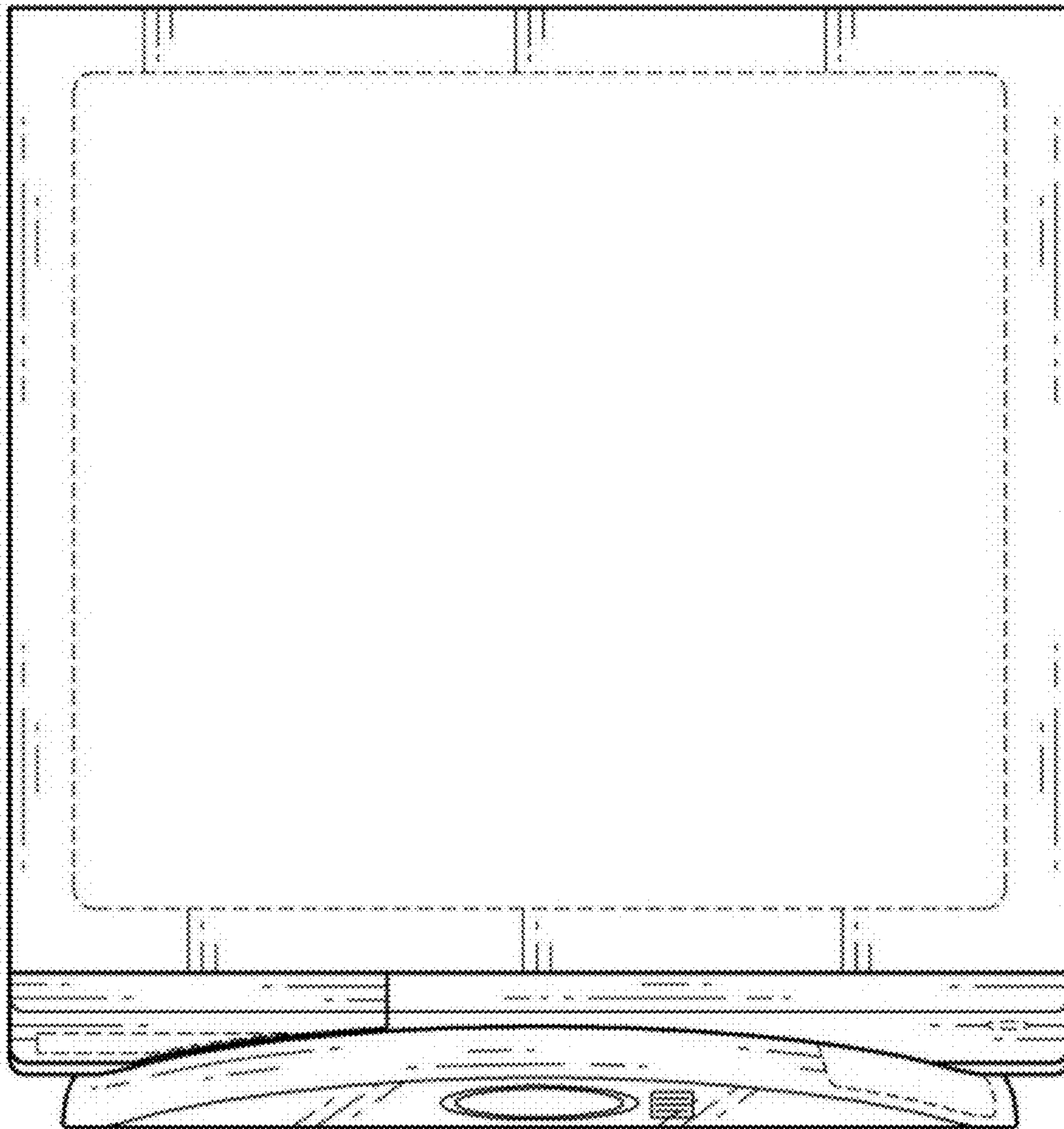
1.4



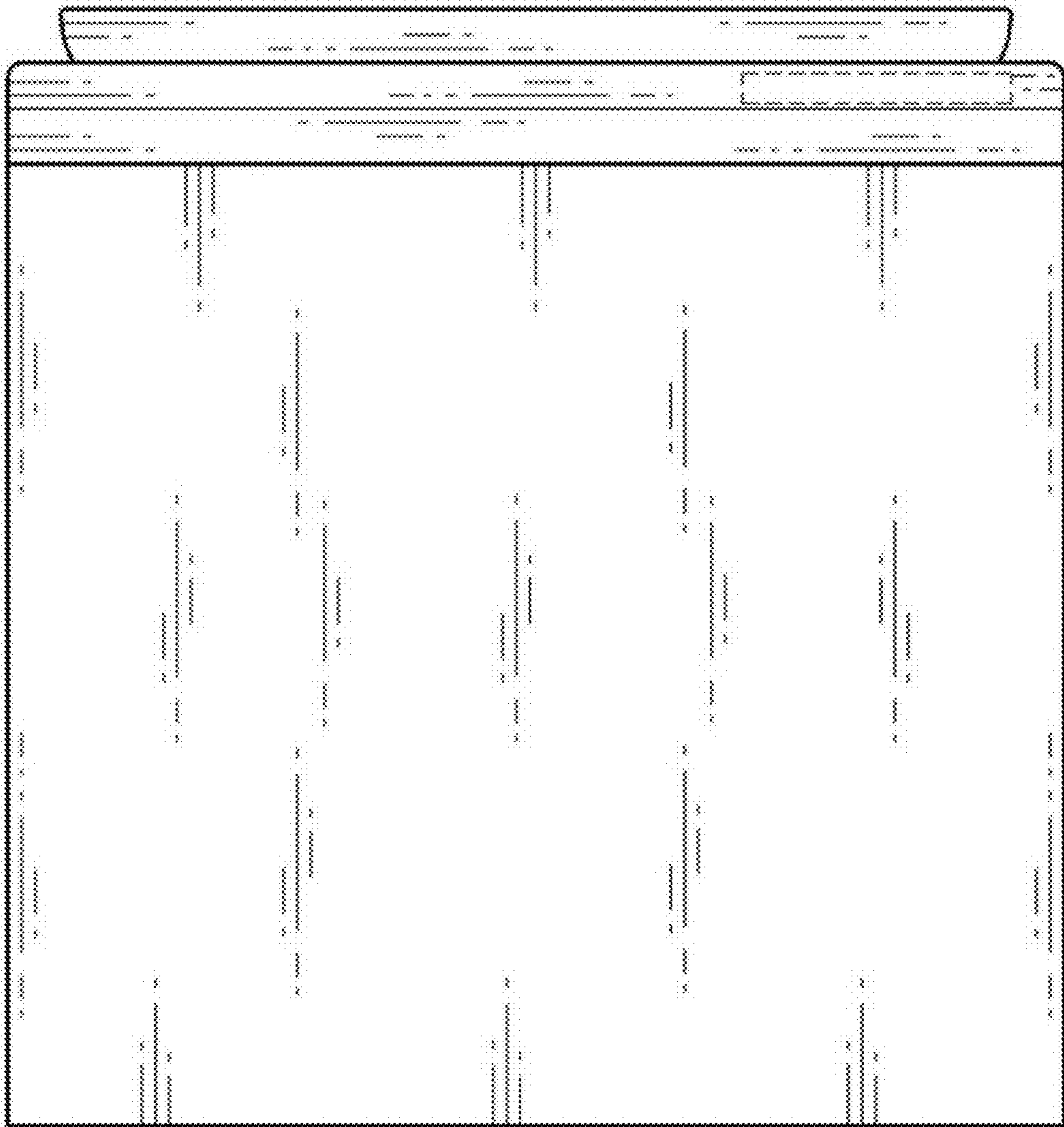
1.5



1.6



1.7



1.8

