



US00D827232S

(12) **United States Design Patent** (10) **Patent No.:** **US D827,232 S**
Lim (45) **Date of Patent:** **** Aug. 28, 2018**

(54) **VACUUM CLEANER**

(56) **References Cited**

(71) Applicant: **LG ELECTRONICS INC.**, Seoul (KR)

U.S. PATENT DOCUMENTS

(72) Inventor: **Heeseung Lim**, Seoul (KR)

D498,885 S *	11/2004	Robson	D32/15
D731,134 S *	6/2015	Dyson	D32/31
D731,720 S *	6/2015	Gidwell	D32/18
D741,558 S *	10/2015	Kerr	D32/18
D742,083 S *	10/2015	Gidwell	D32/31
D743,123 S *	11/2015	Chu	D32/18
D745,231 S *	12/2015	Niedzwecki	D32/18
D747,571 S *	1/2016	Dyson	D32/18
D780,387 S *	2/2017	Bu	D32/18
D781,011 S *	3/2017	Bu	D32/18
D787,766 S *	5/2017	Nam	D32/32
9,661,964 B2 *	5/2017	Conrad	A47L 5/24
D792,665 S *	7/2017	Salagnac	D32/18
D798,009 S *	9/2017	Salagnac	D32/18
D799,767 S *	10/2017	Palladino	D32/22
D807,603 S *	1/2018	Roschi	D32/32
D813,475 S *	3/2018	Lee	D32/18

(73) Assignee: **LG ELECTRONICS INC.**, Seoul (KR)

(**) Term: **15 Years**

(21) Appl. No.: **35/503,028**

(22) Filed: **Nov. 25, 2016**

(80) **Hague Agreement Data**

Int. Filing Date: **Nov. 25, 2016**

Int. Reg. No.: **DM/093700**

Int. Reg. Date: **Nov. 25, 2016**

Int. Reg. Pub. Date: **May 26, 2017**

* cited by examiner

Primary Examiner — Michael A. Pratt

(74) *Attorney, Agent, or Firm* — Birch, Stewart, Kolasch & Birch, LLP

(30) **Foreign Application Priority Data**

Jun. 30, 2016 (KR) 30-2016-0031992

(51) **LOC (11) Cl.** **15-05**

(52) **U.S. Cl.**
USPC **D32/18**

(58) **Field of Classification Search**
USPC D32/17-18, 21-22, 31, 34, 69-70, 7
CPC A47L 5/24; A47L 5/38; A47L 5/28; A47L 11/4044; A47L 11/34; A47L 7/0038; A47L 9/325; A47L 9/02; A47L 1/08; D01H 11/006; B60S 1/64; A46B 11/001; A46B 11/002; B08B 3/026; B08B 3/028

See application file for complete search history.

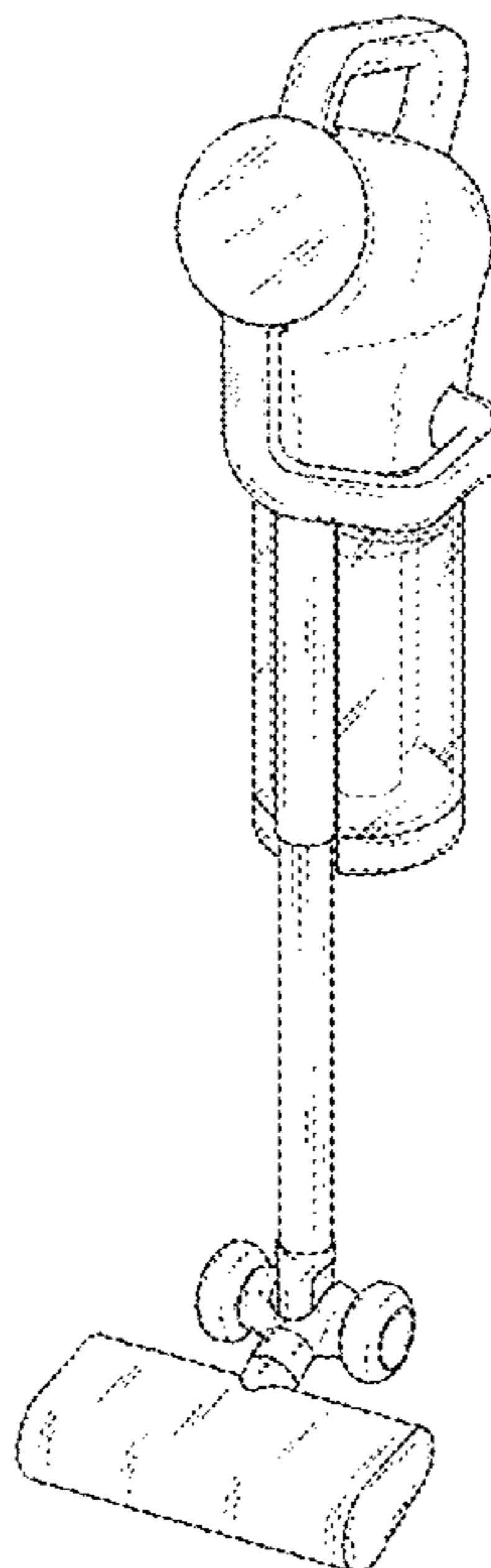
(57) **CLAIM**

The ornamental design for a vacuum cleaner, as shown and described.

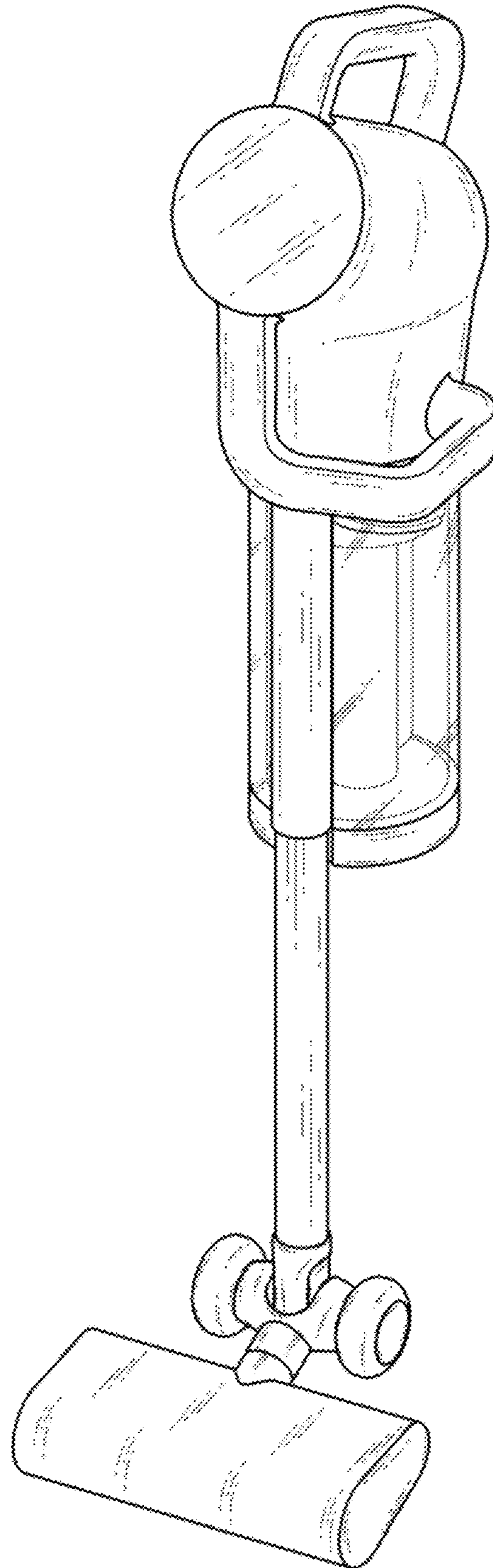
DESCRIPTION

- 1. Vacuum cleaner
- 1.1 is a Perspective
- 1.2 is a Front
- 1.3 is a Back
- 1.4 is a Left
- 1.5 is a Right
- 1.6 is a top
- 1.7 is a Bottom

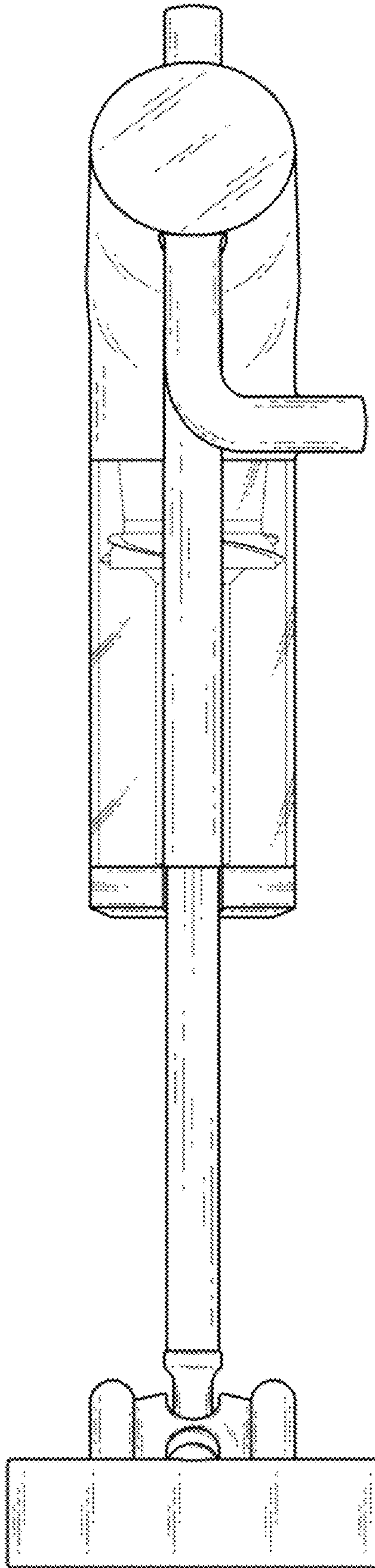
1 Claim, 7 Drawing Sheets



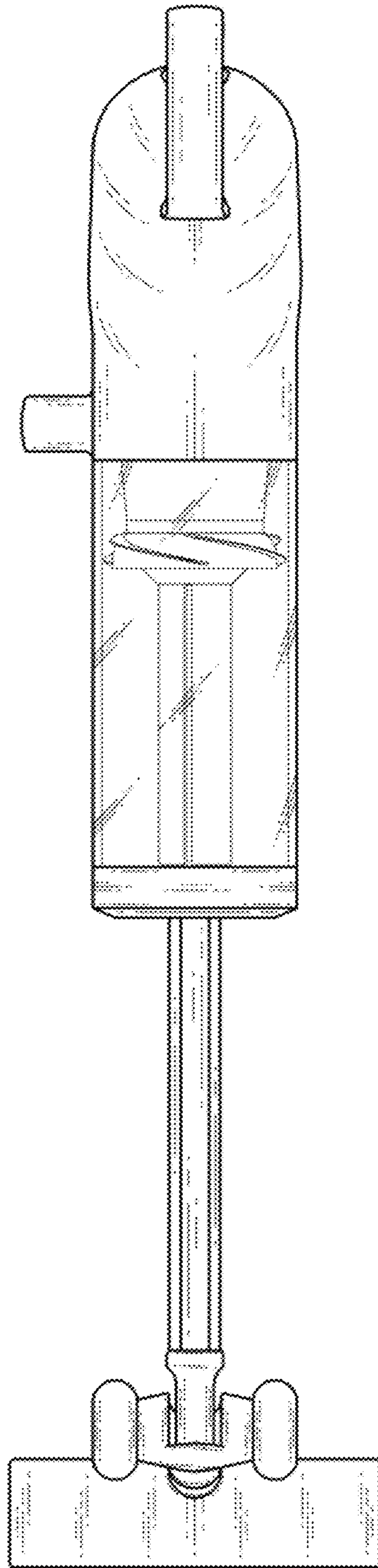
1.1



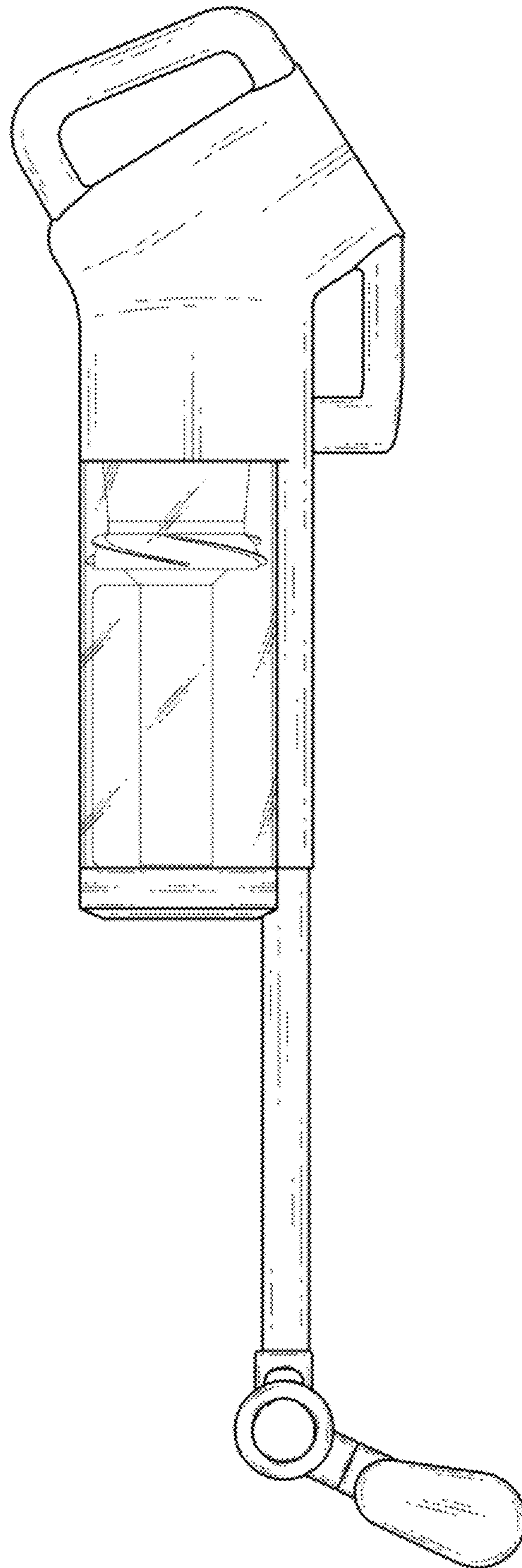
1.2



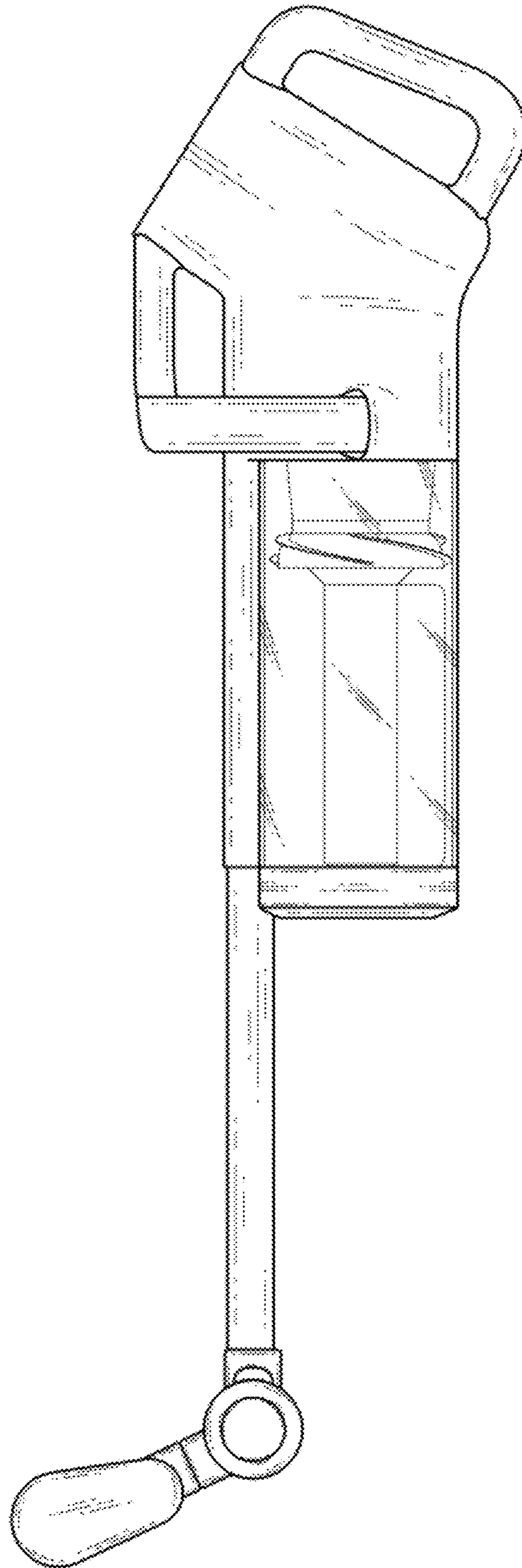
1.3



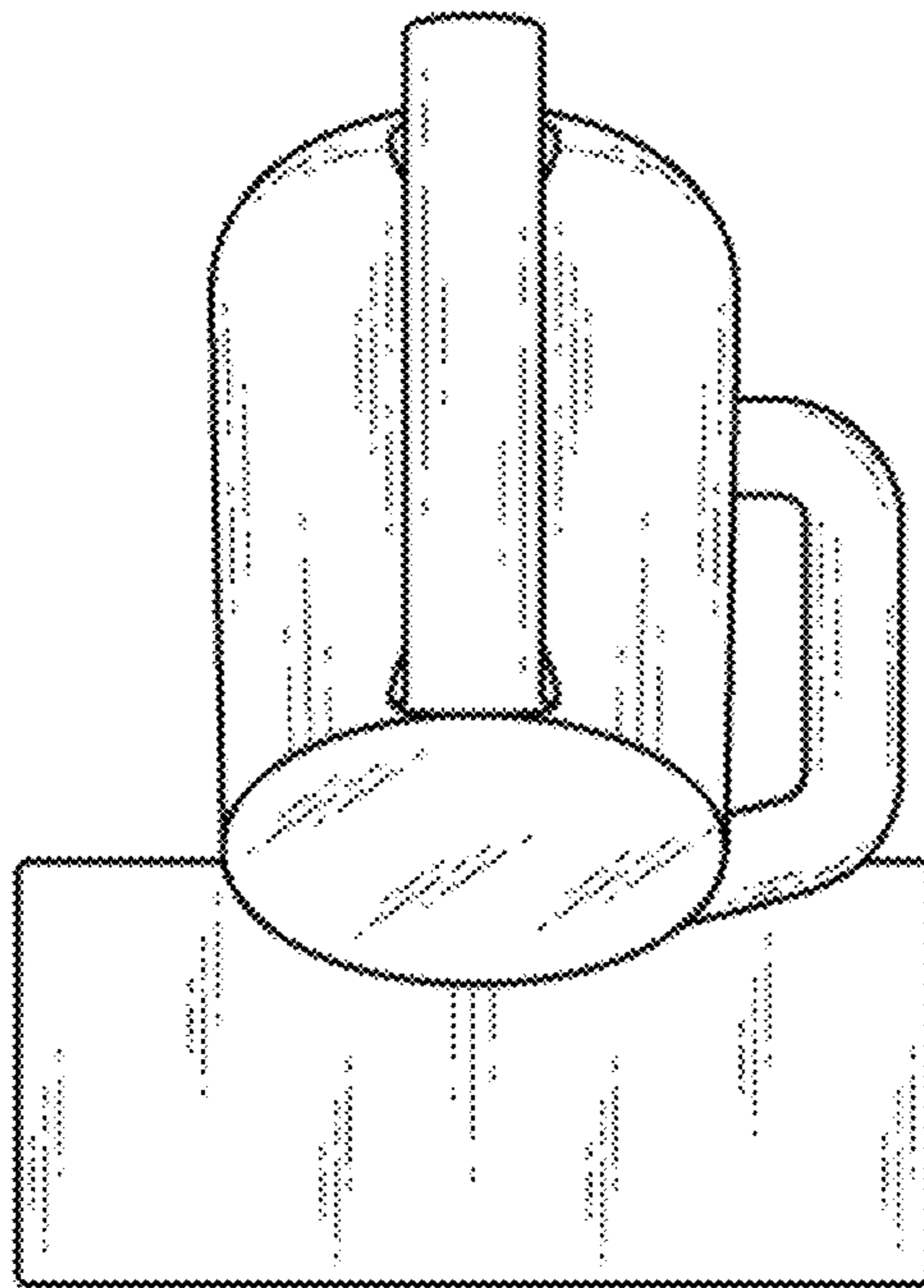
1.4



1.5



1.6



1.7

