



US00D827230S

(12) **United States Design Patent**
Ha et al.

(10) **Patent No.:** **US D827,230 S**

(45) **Date of Patent:** **** Aug. 28, 2018**

(54) **DRUM TYPE WASHING MACHINE**

(56) **References Cited**

(71) Applicant: **LG ELECTRONICS INC.**, Seoul
(KR)

U.S. PATENT DOCUMENTS

(72) Inventors: **Youngsoo Ha**, Seoul (KR); **Eunyoung Chee**, Seoul (KR); **Jaeil Bae**, Seoul (KR)

D496,709	S	*	9/2004	Suh	D32/6
D517,255	S	*	3/2006	Kim	D32/5
D517,257	S	*	3/2006	Kim	D32/6
D520,686	S	*	5/2006	Jeon	D32/6
D527,499	S	*	8/2006	Jung	D32/6
D544,658	S	*	6/2007	Kim	D32/6
D549,896	S	*	8/2007	Suh	D32/6
D549,897	S	*	8/2007	Suh	D32/6
D549,898	S	*	8/2007	Suh	D32/6
D549,899	S	*	8/2007	Suh	D32/6
D549,902	S	*	8/2007	Suh	D32/8
D550,907	S	*	9/2007	Jeon	D32/6
D559,479	S	*	1/2008	Kwon	D32/6
D559,480	S	*	1/2008	Kwon	D32/6
D565,809	S	*	4/2008	Eicher	D32/6
D577,870	S	*	9/2008	Kim	D32/6
D579,610	S	*	10/2008	Jeon	D32/6
D697,678	S	*	1/2014	Jeon	D32/6

(73) Assignee: **LG ELECTRONICS INC.**, Seoul
(KR)

(**) Term: **15 Years**

(21) Appl. No.: **35/503,600**

(22) Filed: **Feb. 21, 2017**

(80) **Hague Agreement Data**

Int. Filing Date: **Feb. 21, 2017**

Int. Reg. No.: **DM/095003**

Int. Reg. Date: **Feb. 21, 2017**

Int. Reg. Pub. Date: **Aug. 25, 2017**

(30) **Foreign Application Priority Data**

Aug. 31, 2016 (KR) 30-2016-0042826

(51) **LOC (11) Cl.** **15-05**

(52) **U.S. Cl.**
USPC **D32/6**

(58) **Field of Classification Search**
USPC D32/6, 8
CPC D06F 39/045; D06F 29/00; D06F 29/005;
D06F 25/00; D06F 39/022; D06F 33/02;
D06F 2204/065; D06F 35/006

See application file for complete search history.

* cited by examiner

Primary Examiner — Robert M. Spear

(74) *Attorney, Agent, or Firm* — Birch, Stewart, Kolasch & Birch, LLP

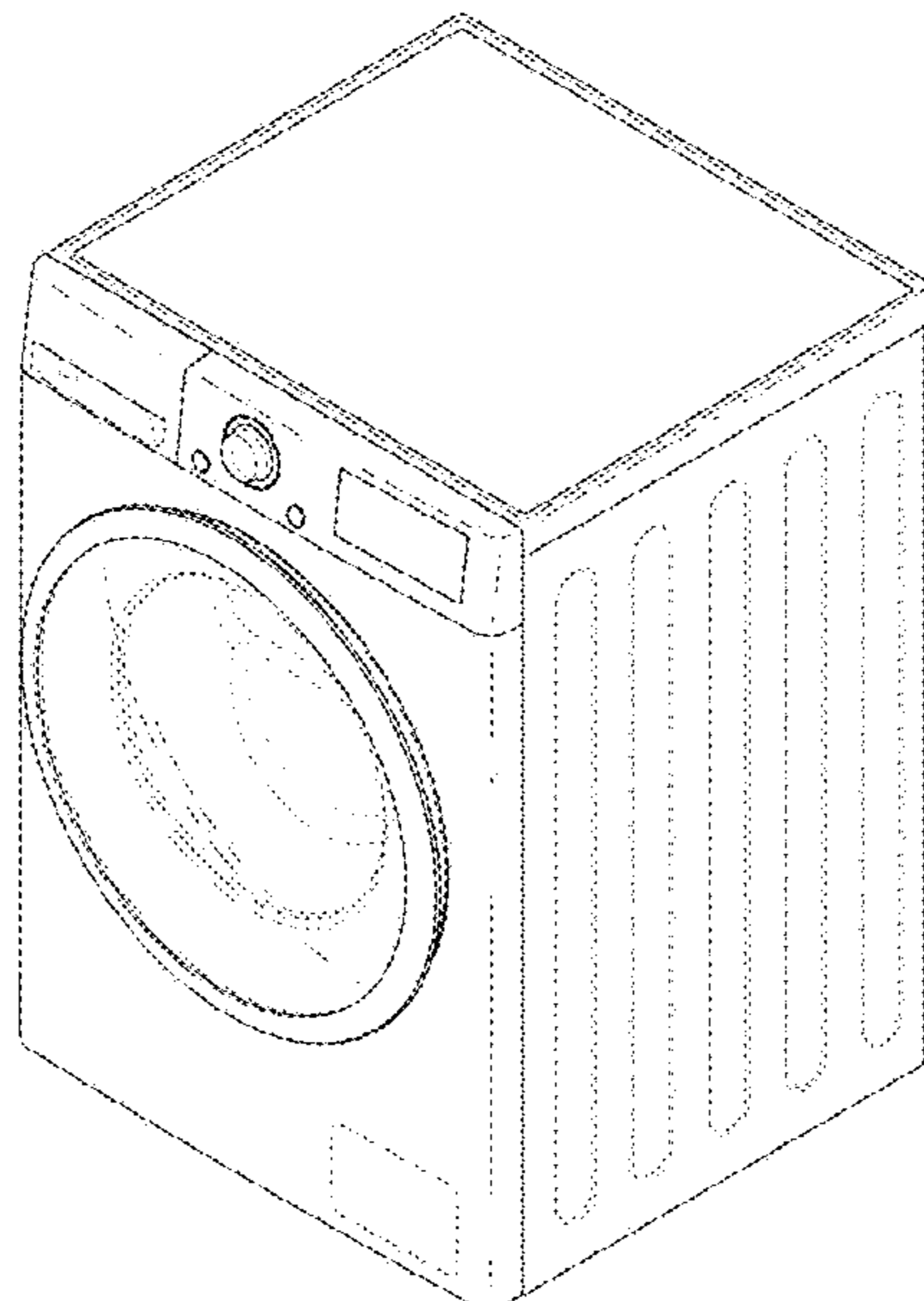
(57) **CLAIM**

The ornamental design for a drum type washing machine, as shown and described.

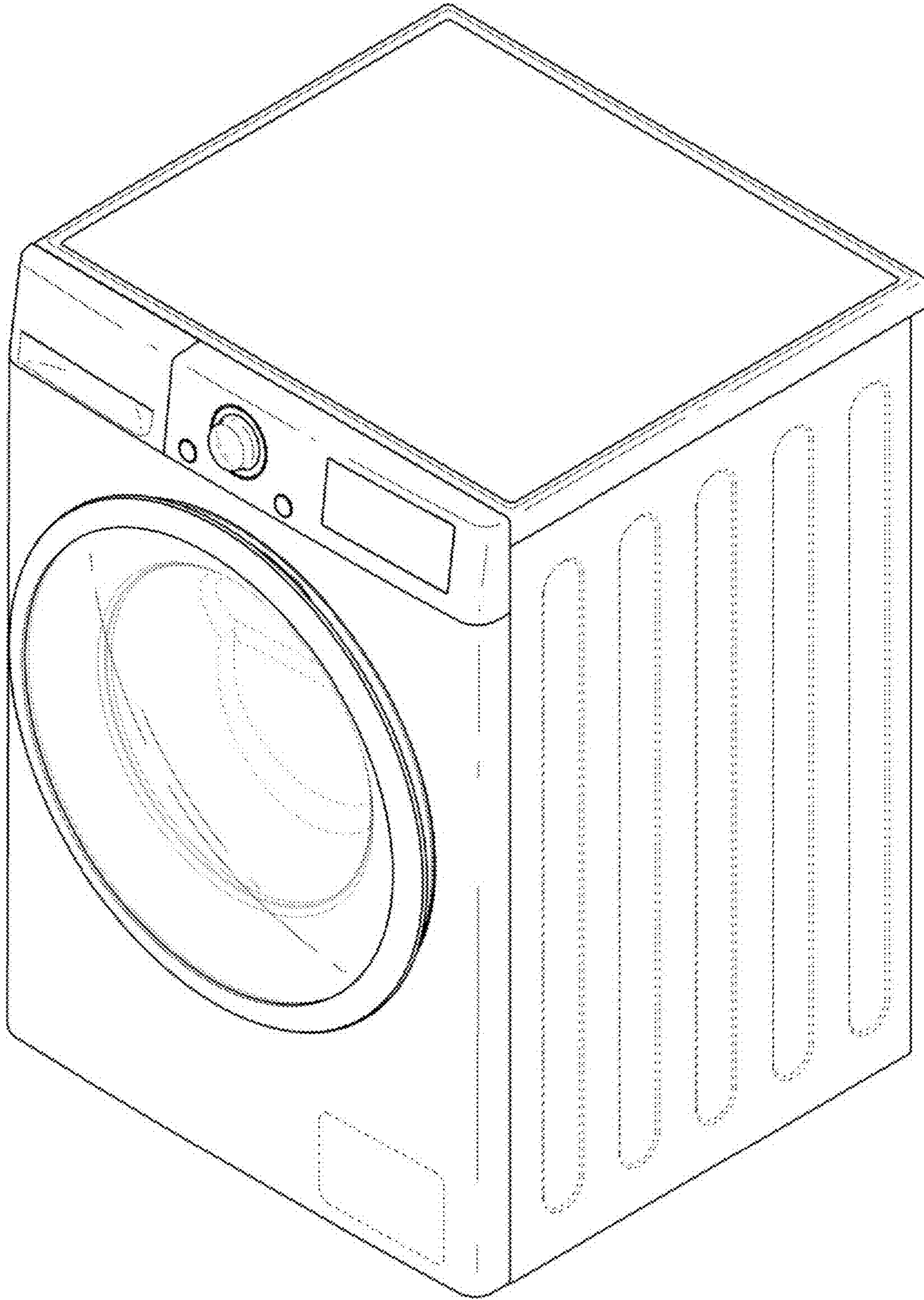
DESCRIPTION

- 1. Drum type washing machine
- 1.1 : Perspective
- 1.2 : Front
- 1.3 : Back
- 1.4 : Left
- 1.5 : Right
- 1.6 : Top
- 1.7 : Bottom

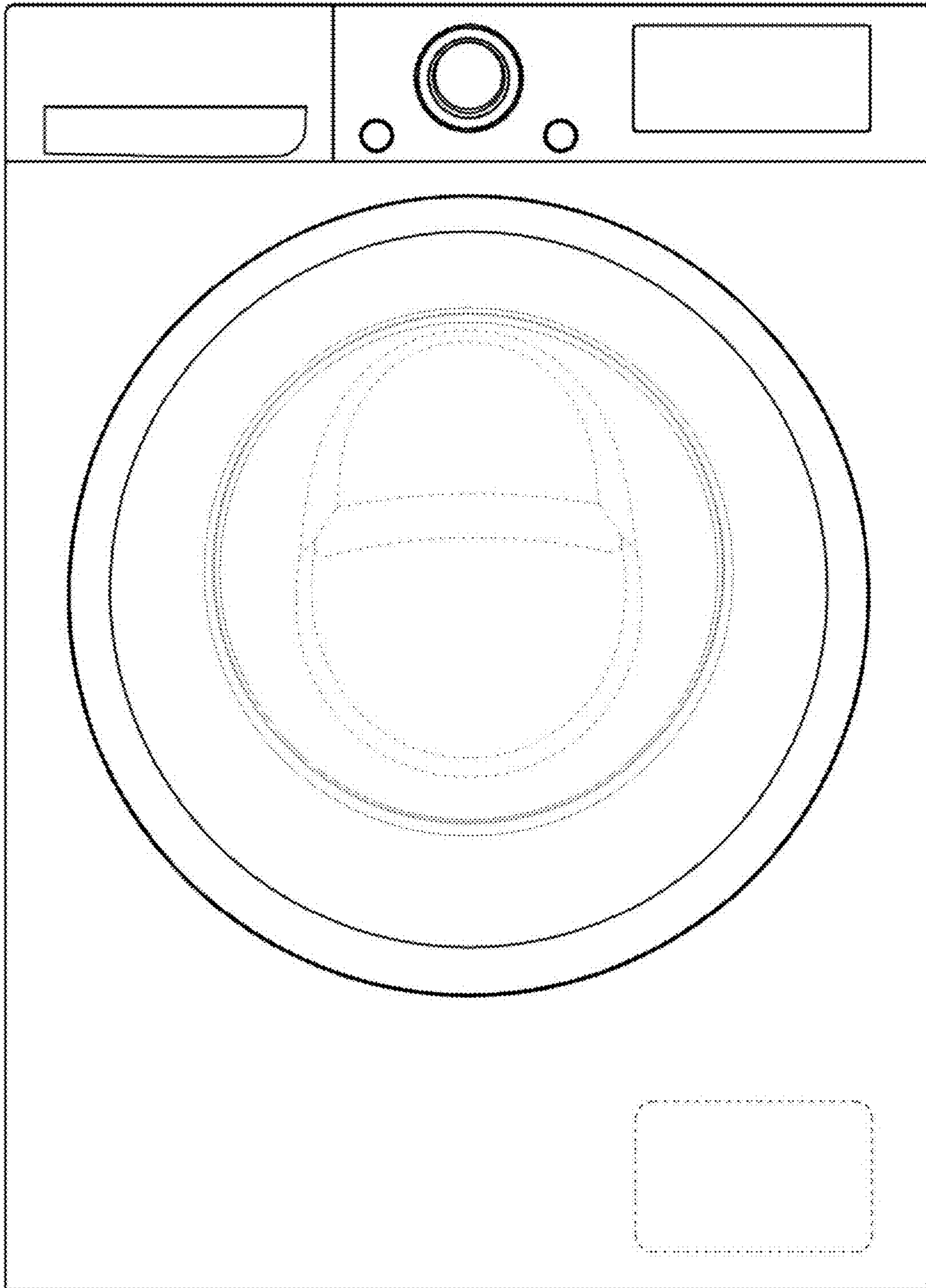
1 Claim, 7 Drawing Sheets



1.1



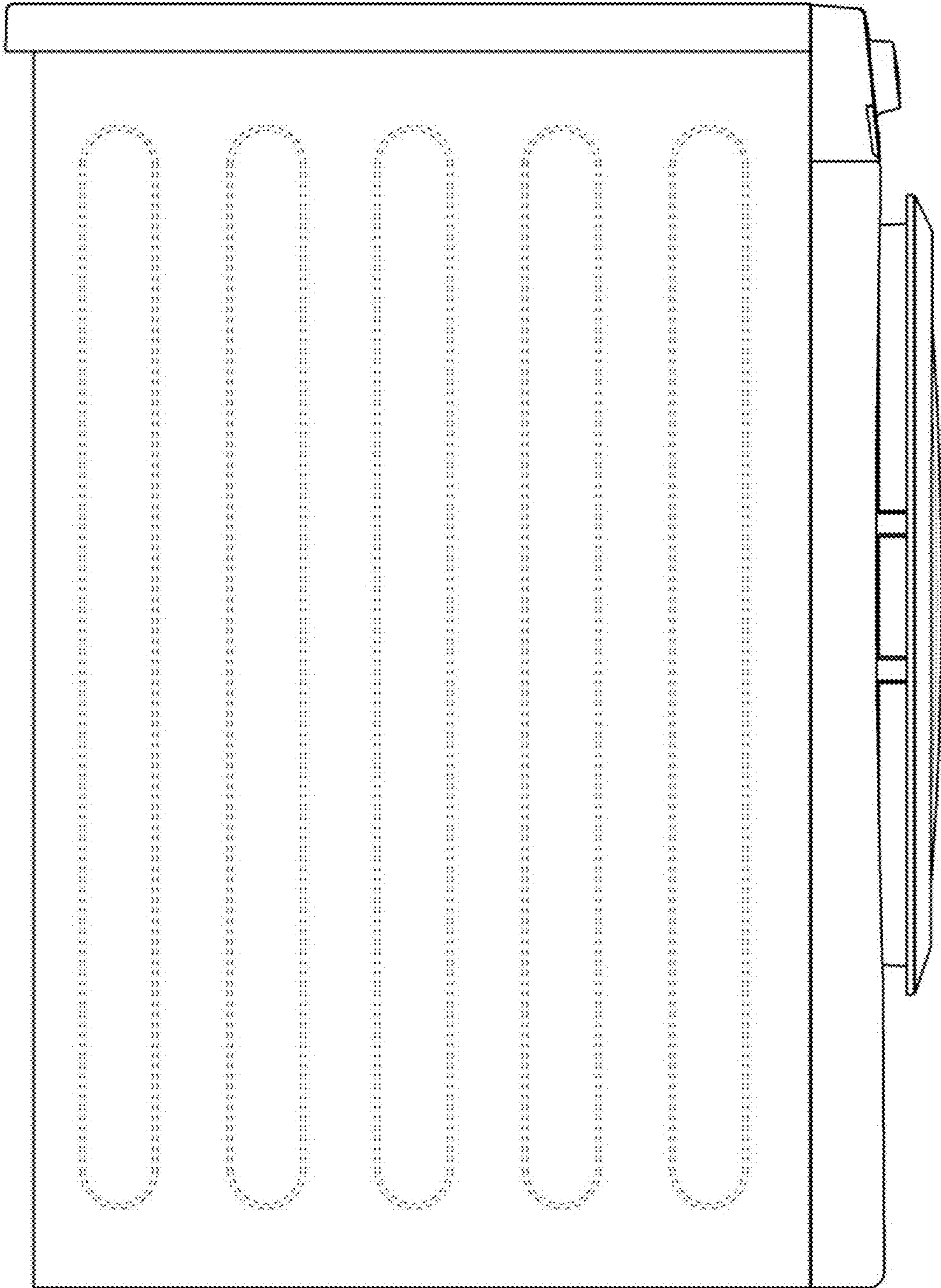
1.2



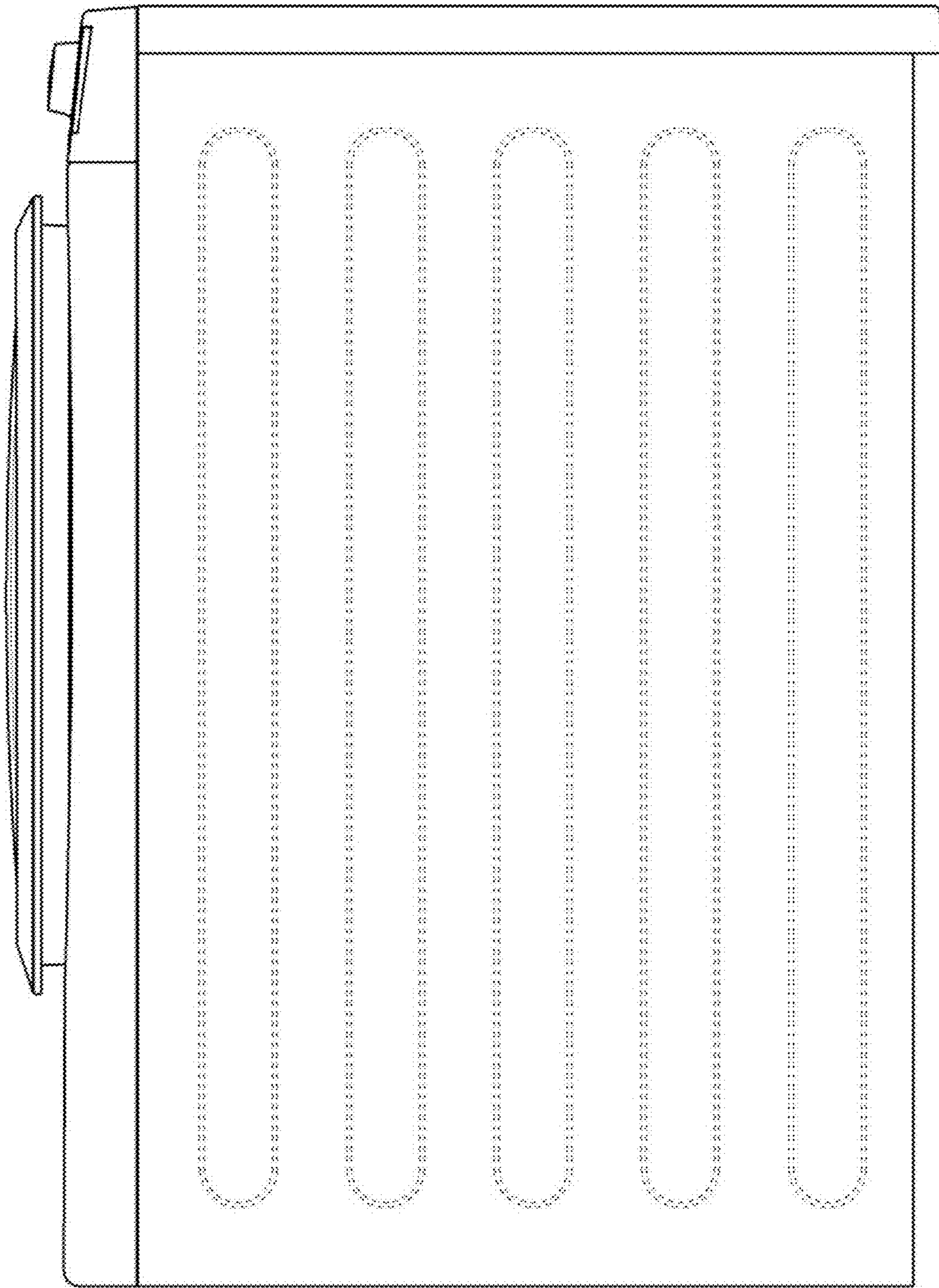
1.3



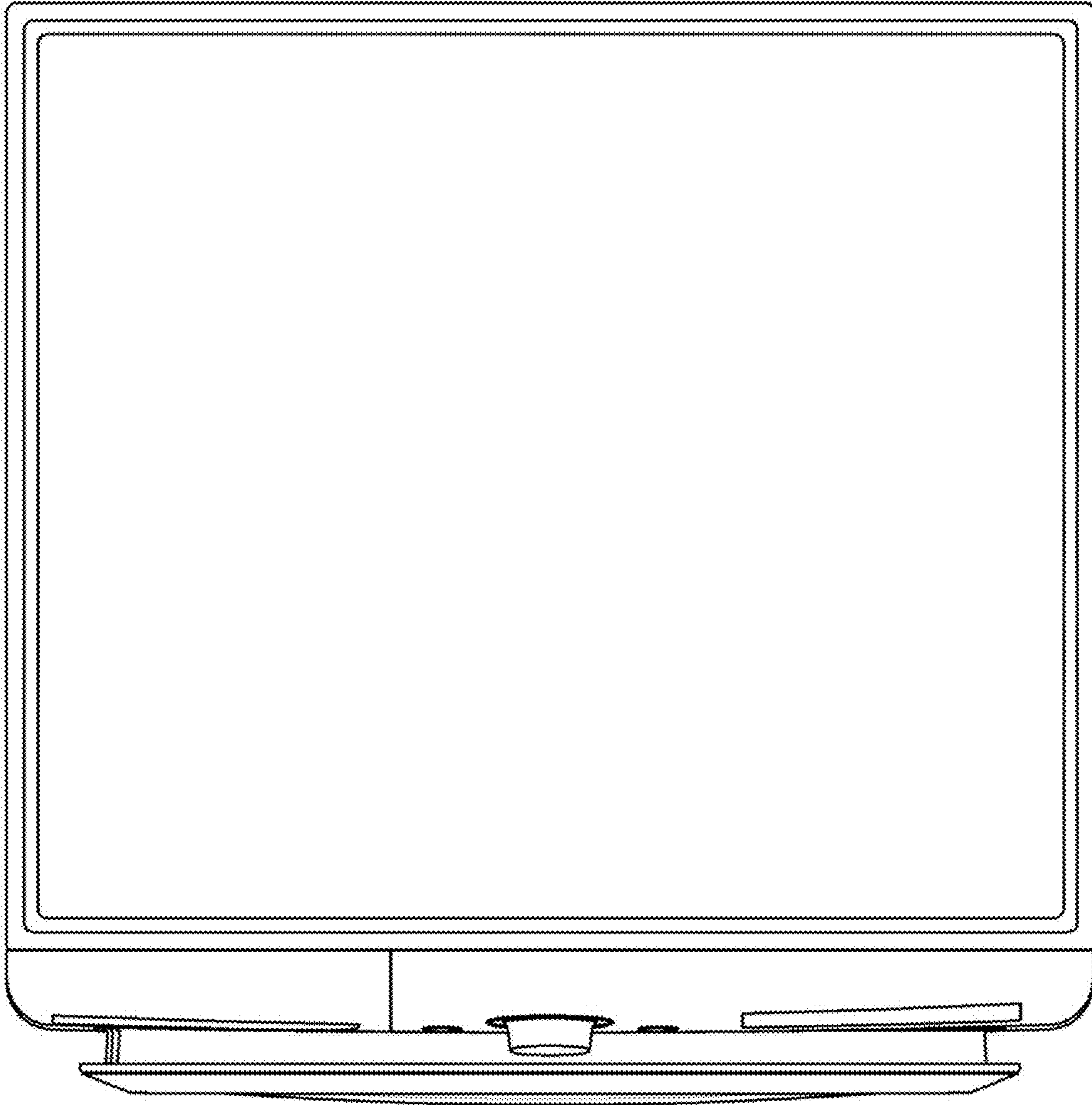
1.4



1.5



1.6



1.7

