



US00D827227S

(12) **United States Design Patent** (10) **Patent No.:** **US D827,227 S**  
**Ha et al.** (45) **Date of Patent:** **\*\* Aug. 28, 2018**

(54) **WASHING MACHINE**

(71) Applicant: **LG ELECTRONICS INC.**, Seoul (KR)

(72) Inventors: **Youngsoo Ha**, Seoul (KR); **Taewoo Yoo**, Seoul (KR); **Eunyoung Chee**, Seoul (KR); **Jeaseok Seong**, Seoul (KR)

(73) Assignee: **LG ELECTRONICS INC.**, Seoul (KR)

(\*\*) Term: **15 Years**

(21) Appl. No.: **35/502,169**

(22) Filed: **Jun. 27, 2016**

(80) **Hague Agreement Data**

Int. Filing Date: **Jun. 27, 2016**  
Int. Reg. No.: **DM/091414**  
Int. Reg. Date: **Jun. 27, 2016**  
Int. Reg. Pub. Date: **Dec. 30, 2016**

(30) **Foreign Application Priority Data**

Dec. 30, 2015 (KR) ..... 30-2015-0067254

(51) **LOC (11) Cl.** ..... **15-05**

(52) **U.S. Cl.**  
USPC ..... **D32/6**  
CPC ..... **D06F 25/00** (2013.01)

(58) **Field of Classification Search**

USPC ..... D32/1, 5, 6, 8, 25, 28  
CPC .... D06F 33/02; D06F 2204/065; D06F 25/00;  
D06F 35/006; D06F 37/28; D06F 39/14;  
D06F 58/203

See application file for complete search history.

(56) **References Cited**

U.S. PATENT DOCUMENTS

3,026,699 A \* 3/1962 Rhodes ..... D06F 29/00  
68/12.19  
5,253,493 A \* 10/1993 Ohashi ..... D06F 39/14  
220/812  
D460,588 S \* 7/2002 Son ..... D32/6  
7,296,443 B2 \* 11/2007 Usherovich ..... D06F 39/14  
312/228.1  
7,913,419 B2 \* 3/2011 Tomasi ..... D06F 29/00  
211/85.3  
D704,907 S \* 5/2014 Yoo ..... D32/6  
D709,657 S \* 7/2014 Shin ..... D32/25  
D711,605 S \* 8/2014 Jo ..... D32/25  
D754,407 S \* 4/2016 Chung ..... D32/25  
9,315,934 B2 \* 4/2016 Kim ..... D06F 29/00  
D755,457 S \* 5/2016 Chung ..... D32/25  
D755,458 S \* 5/2016 Jeon ..... D32/25  
D756,578 S \* 5/2016 Chung ..... D32/25  
9,340,915 B2 \* 5/2016 Kim ..... D06F 29/00  
D760,454 S \* 6/2016 Joo ..... D32/6  
D783,212 S \* 4/2017 Jeon ..... D32/6  
D783,213 S \* 4/2017 Jeon ..... D32/6

(Continued)

*Primary Examiner* — Richard E Chilcot

(74) *Attorney, Agent, or Firm* — Birch, Stewart, Kolasch & Birch, LLP

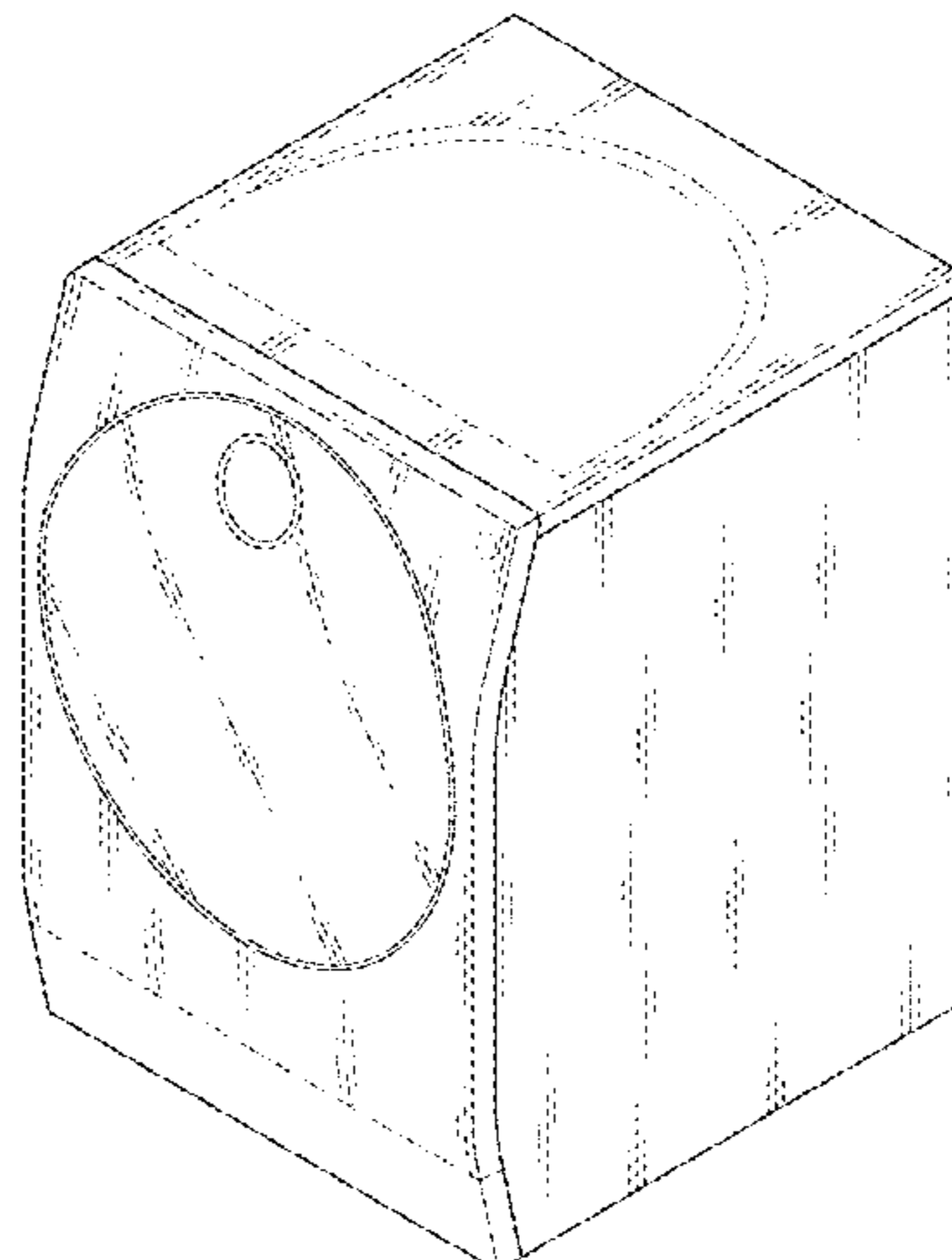
(57) **CLAIM**

The ornamental design for a washing machine, as shown and described.

**DESCRIPTION**

1. Washing machine  
1.1 is a perspective view of a washing machine, showing our new design;  
1.2 is a front elevation view thereof;  
1.3 is a rear elevation view thereof;  
1.4 is a left-side elevation view thereof;  
1.5 is a right-side elevation view thereof;

(Continued)



1.6 is a top plan view thereof;  
1.7 is a bottom plan view thereof; and  
1.8 is a front view thereof, in a use condition.  
The broken line showing in the figures is for the purpose of illustrating portions of the washing machine and forms no part of the claimed design.

(56)

**References Cited**

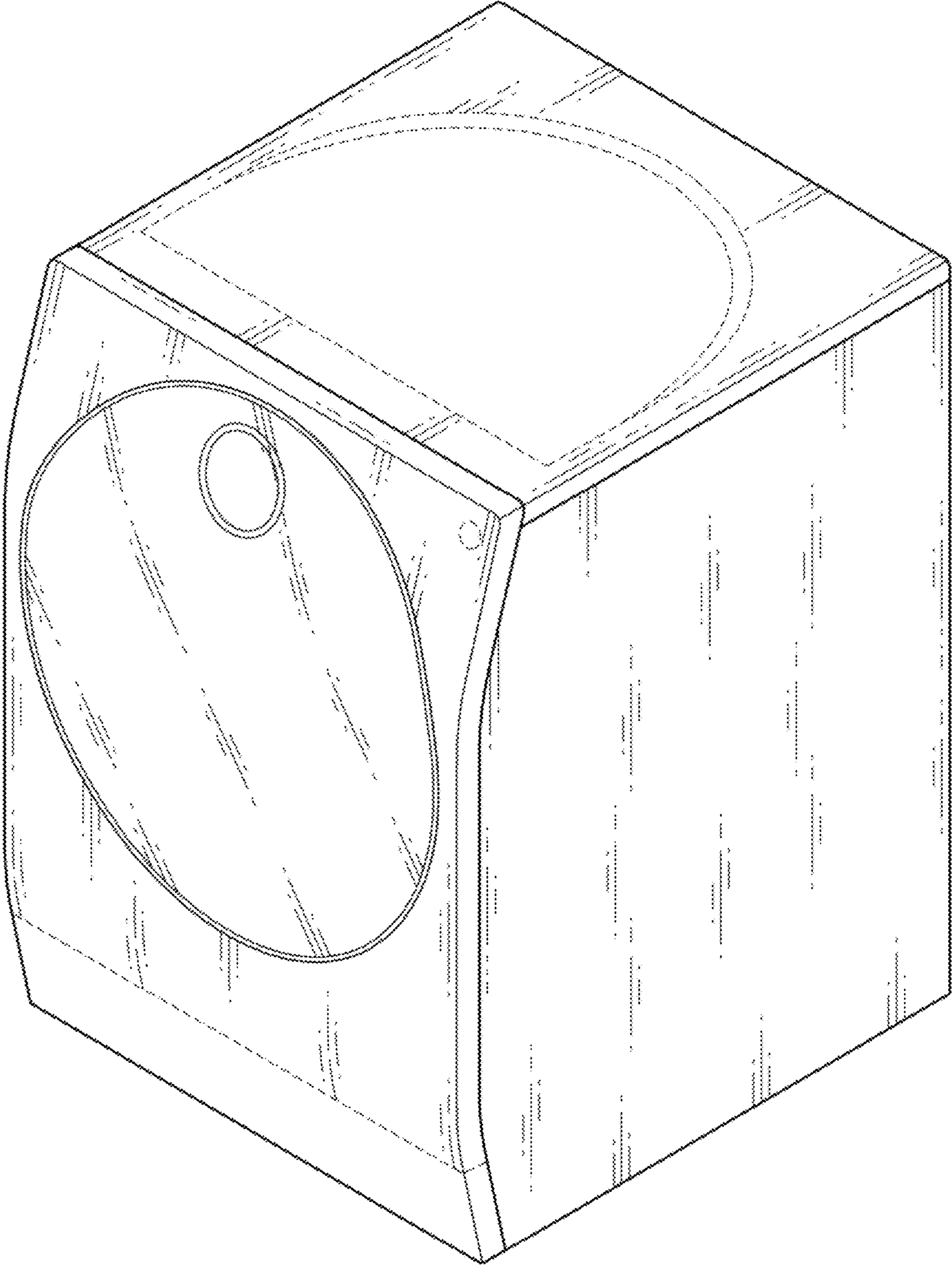
U.S. PATENT DOCUMENTS

D783,214	S	*	4/2017	Jeon	.....	D32/6
D784,637	S	*	4/2017	Kim	.....	D32/25
D788,385	S	*	5/2017	Jeon	.....	D32/6
D792,035	S	*	7/2017	Chung	.....	D32/6
D794,265	S	*	8/2017	Chung	.....	D32/6

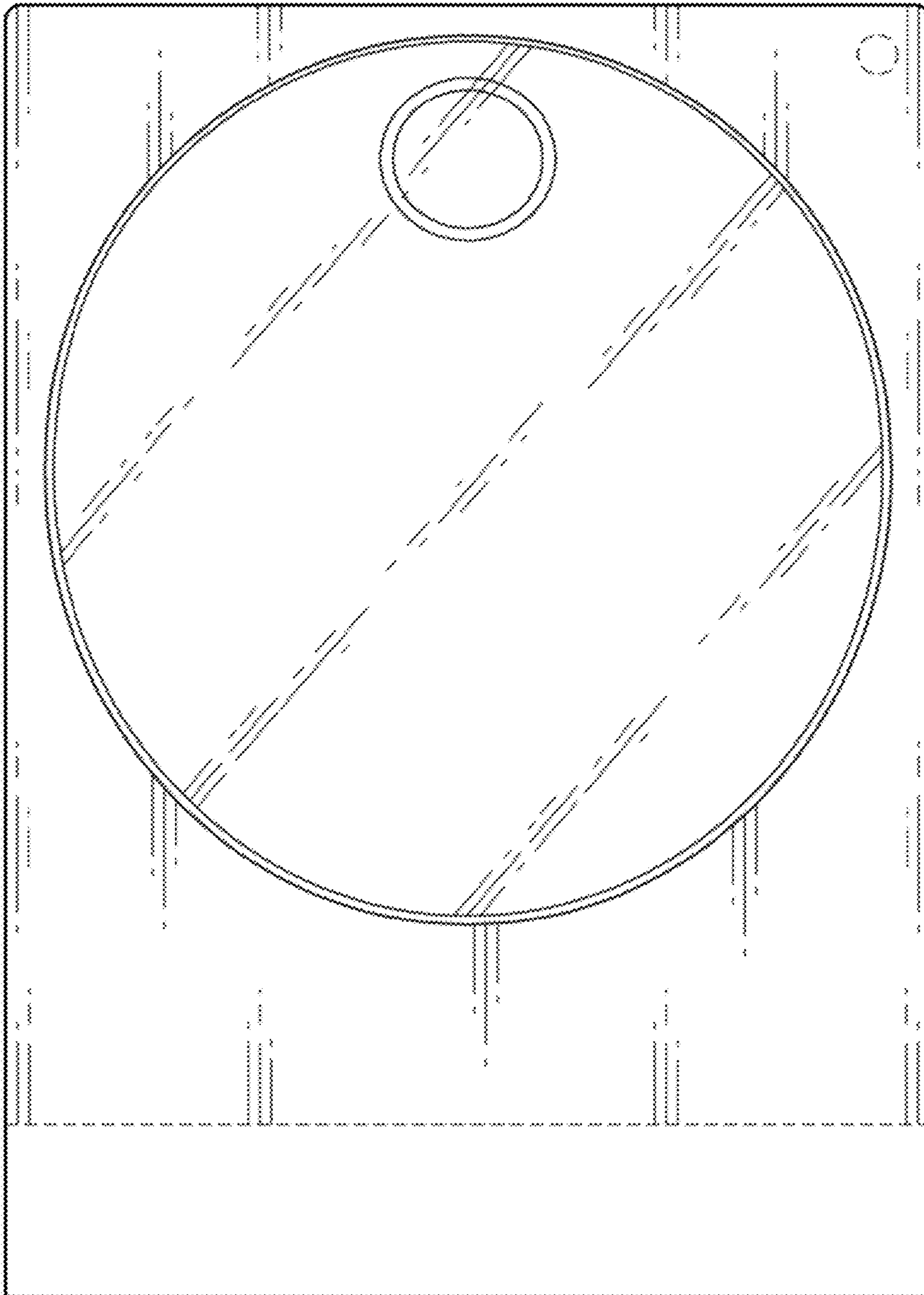
**1 Claim, 8 Drawing Sheets**

\* cited by examiner

1.1



1.2

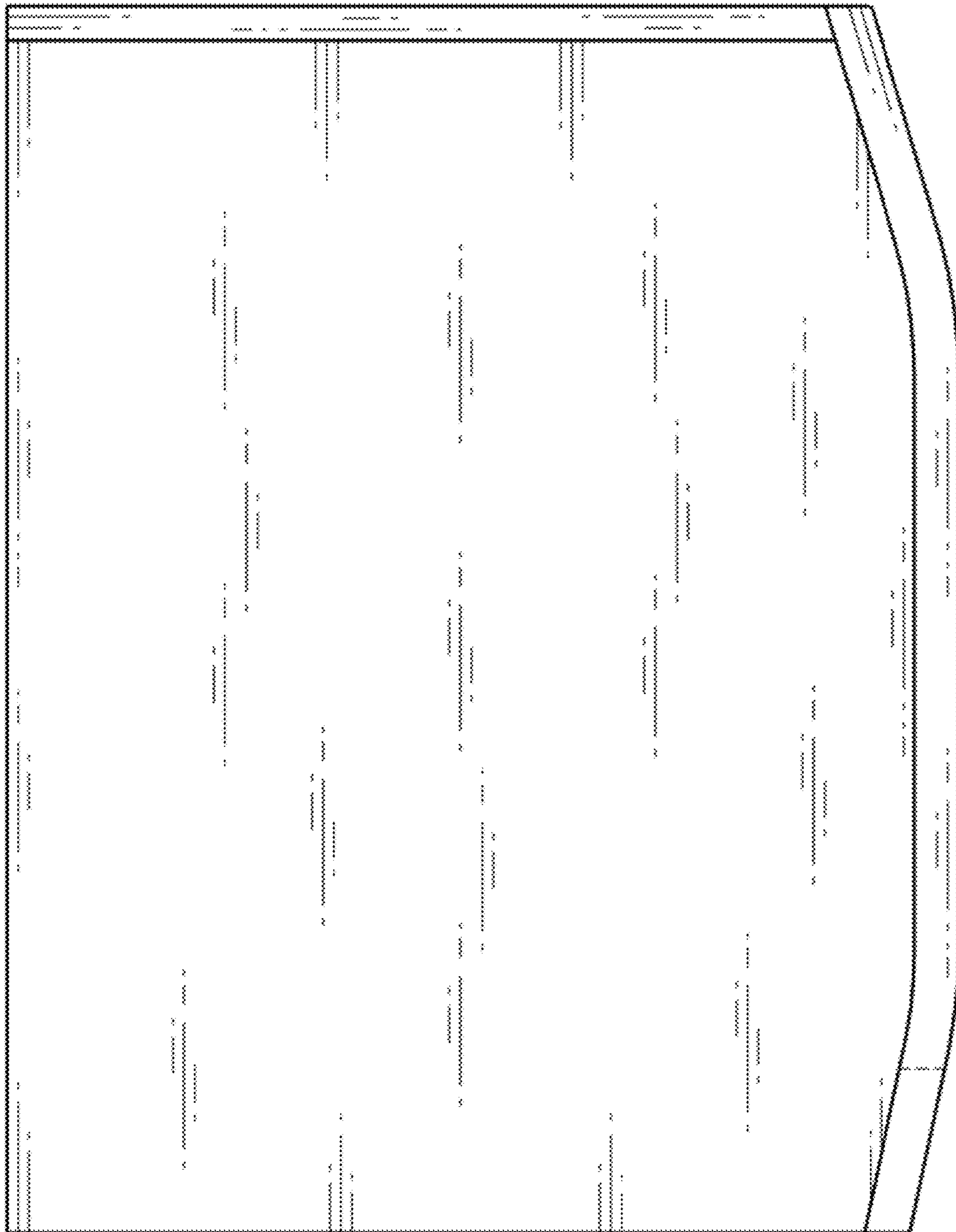




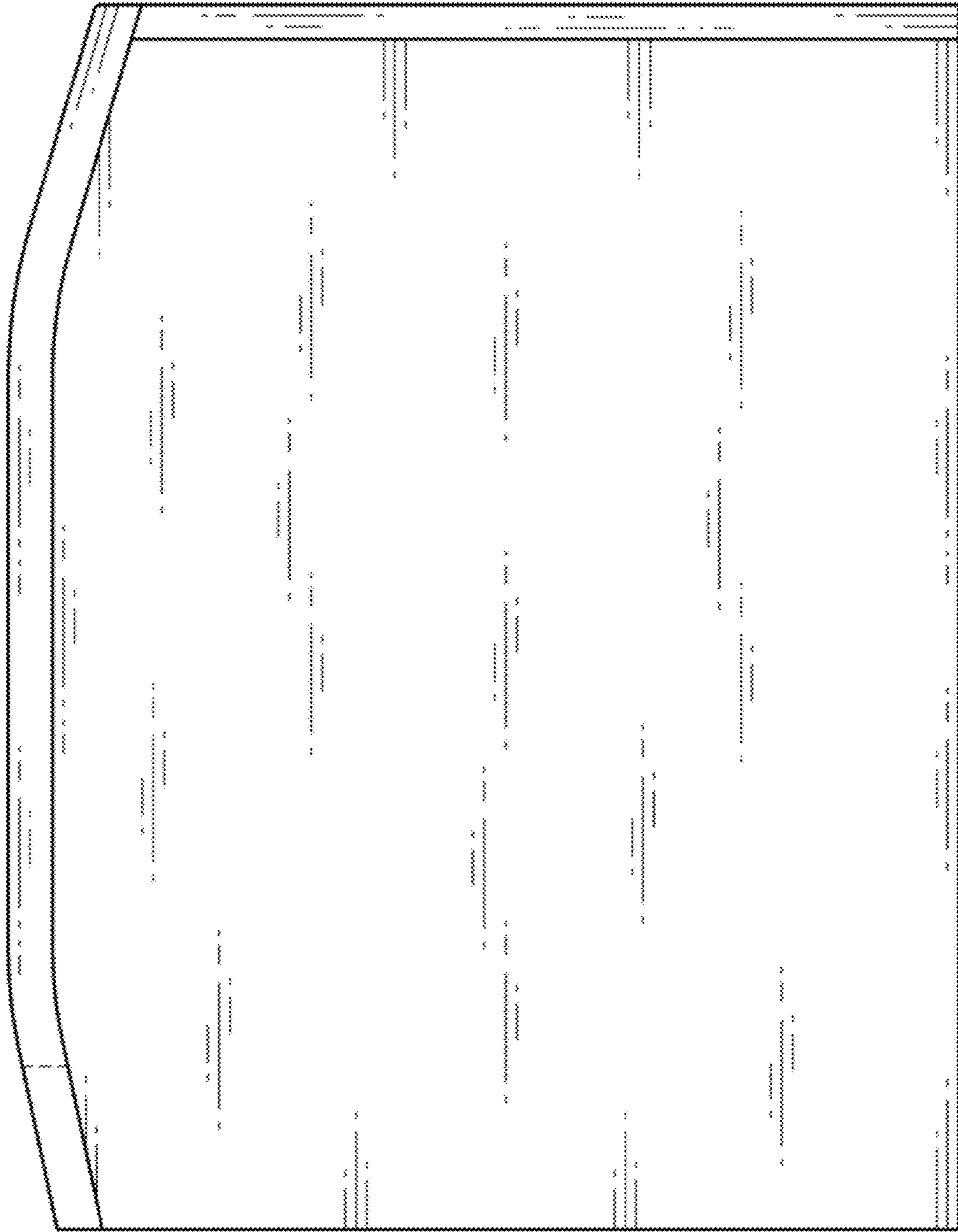
1.3



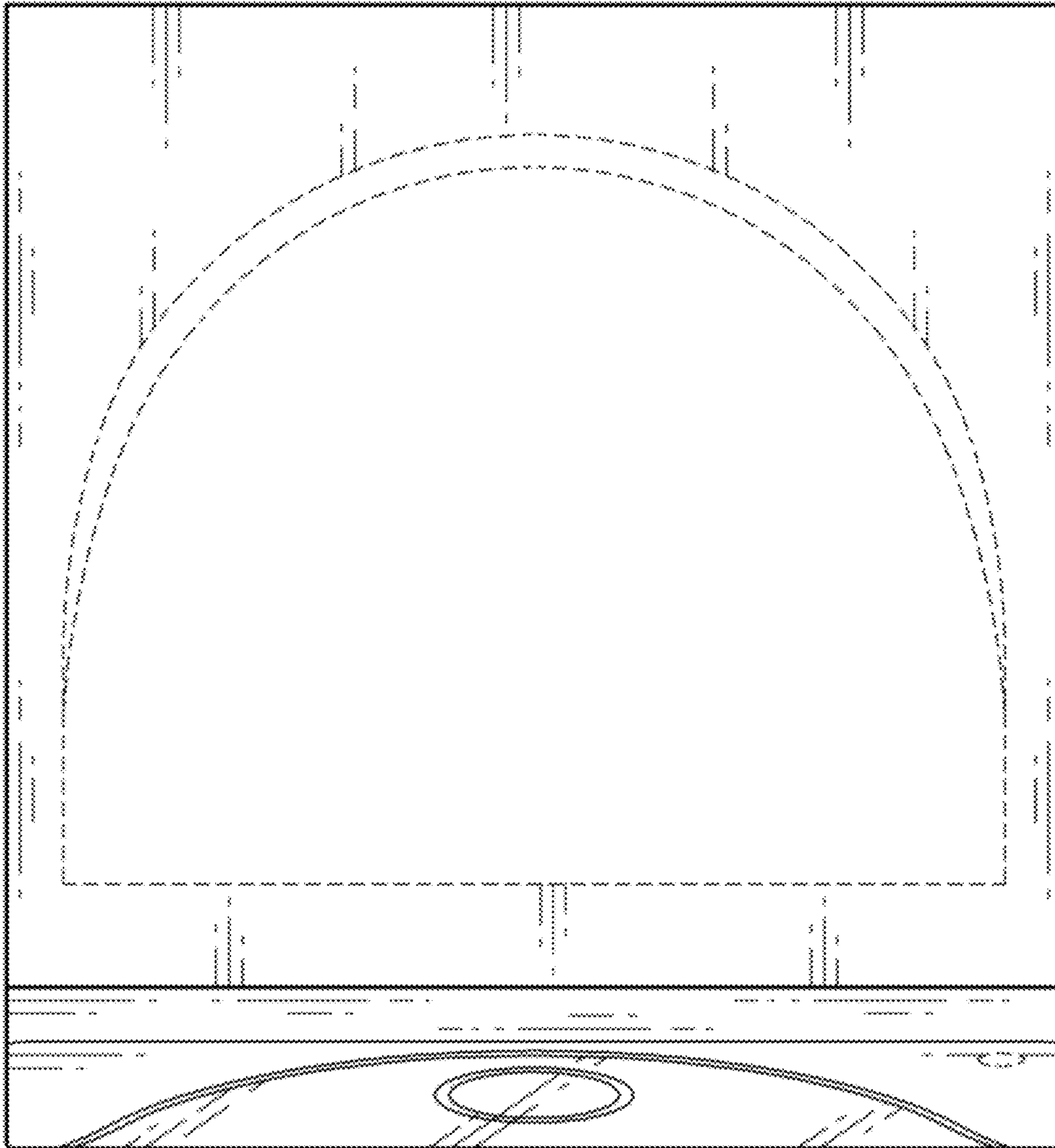
1.4



1.5

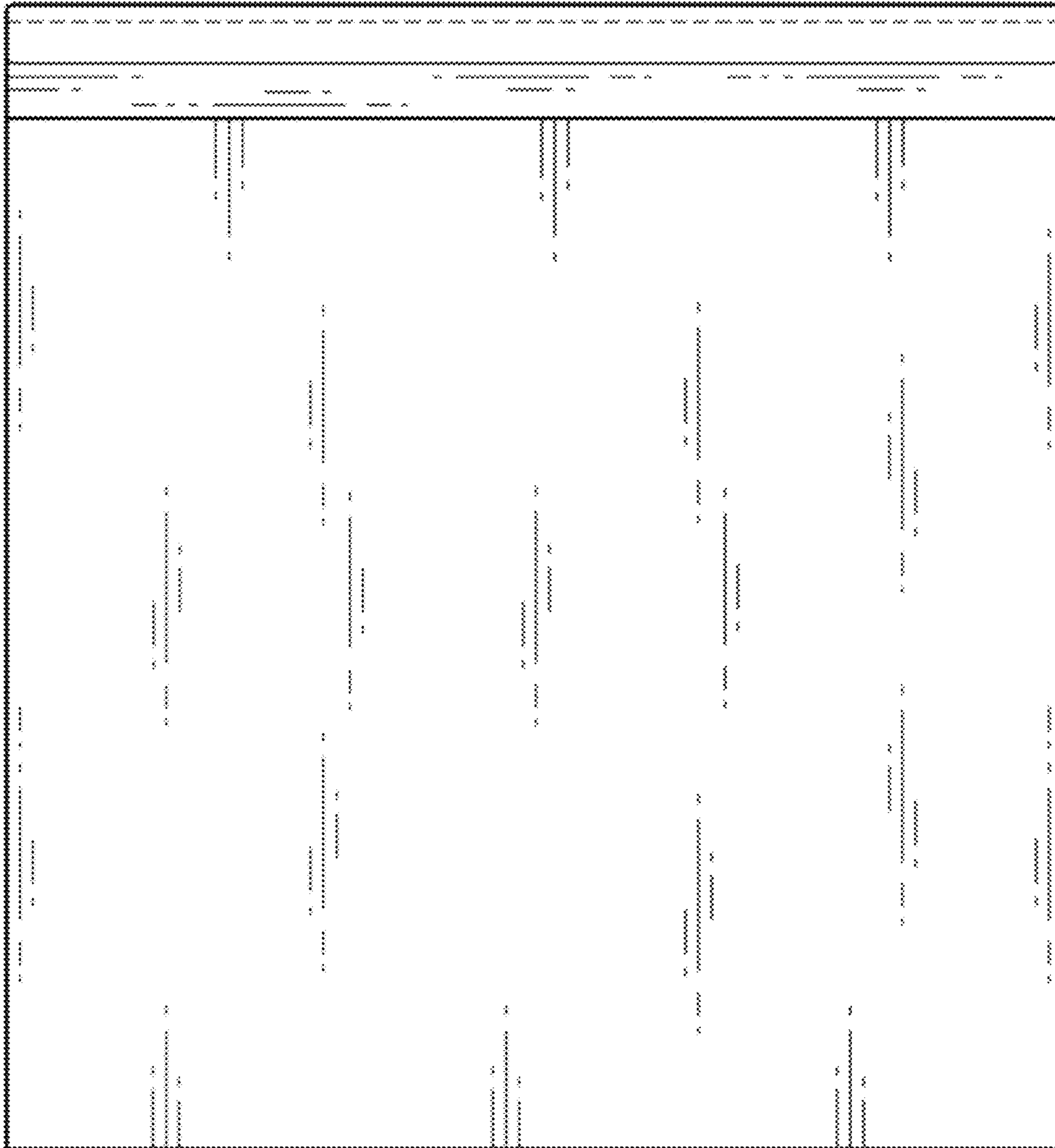


1.6





1.7



1.8

