



US00D827226S

(12) **United States Design Patent** (10) **Patent No.:** **US D827,226 S**  
**Chung et al.** (45) **Date of Patent:** **\*\* Aug. 28, 2018**

(54) **WASHING MACHINE**  
(71) Applicant: **LG ELECTRONICS INC.**, Seoul (KR)  
(72) Inventors: **Wookjun Chung**, Seoul (KR); **Myungshik Kim**, Seoul (KR); **Yeji Um**, Seoul (KR); **Nerry Son**, Seoul (KR); **Byeongkook Kim**, Seoul (KR)  
(73) Assignee: **LG ELECTRONICS INC.**, Seoul (KR)

8,215,136 B2 \* 7/2012 Kim ..... D06F 17/04 68/11  
D665,544 S \* 8/2012 Jeon ..... D32/6  
D667,179 S \* 9/2012 Jeon ..... D32/6  
D701,657 S \* 3/2014 Chung ..... D32/6  
D701,658 S \* 3/2014 Chung ..... D32/6  
D704,909 S \* 5/2014 Jeon ..... D32/25  
D759,910 S \* 6/2016 Chung ..... D32/6  
D759,911 S \* 6/2016 Chung ..... D32/6  
D792,035 S \* 7/2017 Chung ..... D32/6  
D794,265 S \* 8/2017 Chung ..... D32/6

(Continued)

*Primary Examiner* — Michelle E Wilson  
(74) *Attorney, Agent, or Firm* — Birch, Stewart, Kolasch & Birch, LLP

(\*\*) Term: **15 Years**  
(21) Appl. No.: **29/605,352**  
(22) Filed: **May 25, 2017**

(57) **CLAIM**

The ornamental design for a washing machine, as shown and described.

(30) **Foreign Application Priority Data**

**DESCRIPTION**

Nov. 28, 2016 (KR) ..... 30-2016-0057228  
(51) **LOC (11) Cl.** ..... **15-05**  
(52) **U.S. Cl.**  
USPC ..... **D32/6**  
(58) **Field of Classification Search**  
USPC ..... D32/1, 5-6, 8, 25, 28, 29  
CPC .... D06F 33/02; D06F 2204/065; D06F 25/00;  
D06F 35/006; D06F 37/28; D06F 39/14;  
D06F 58/203  
See application file for complete search history.

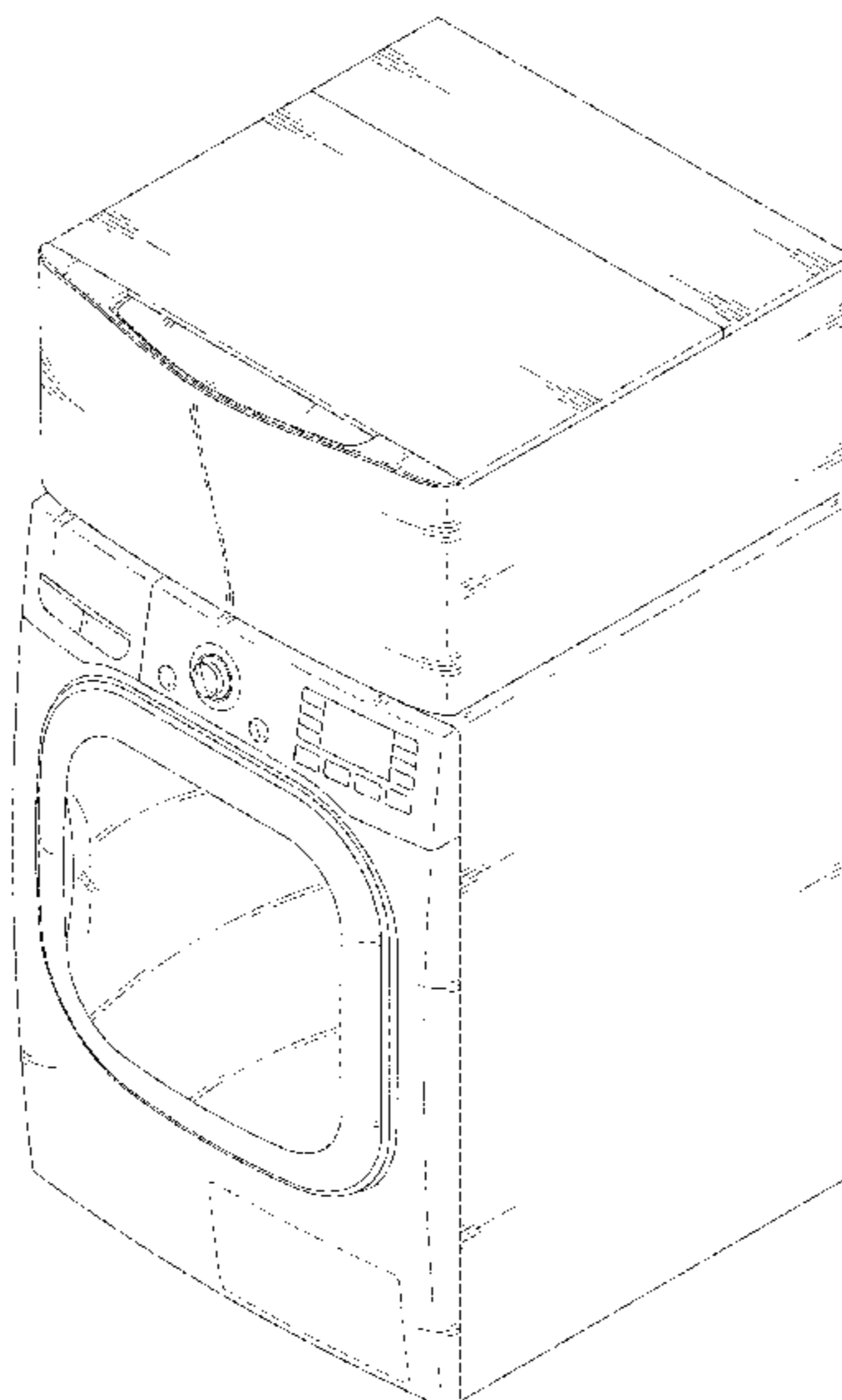
FIG. 1 is a front perspective view of a washing machine showing our new design;  
FIG. 2 is a front view thereof;  
FIG. 3 is a rear view thereof;  
FIG. 4 is a left side view thereof;  
FIG. 5 is a right side view thereof;  
FIG. 6 is a top plan view thereof;  
FIG. 7 is a bottom plan view thereof;  
FIG. 8 is a front perspective view thereof in a condition that the cover of the upper washing machine has been open;  
FIG. 9 is a front view of FIG. 8;  
FIG. 10 is a rear view of FIG. 8;  
FIG. 11 is a left side view of FIG. 8;  
FIG. 12 is a right side view of FIG. 8;  
FIG. 13 is a top plan view of FIG. 8; and,  
FIG. 14 is a bottom plan view of FIG. 8.  
The broken lines depict portions of the washing machine that form no part of the claimed design.

(56) **References Cited**

**U.S. PATENT DOCUMENTS**

D474,566 S \* 5/2003 Baldwin ..... D32/25  
D521,702 S \* 5/2006 No ..... D32/25  
D549,408 S \* 8/2007 Lee ..... D32/25  
D569,065 S \* 5/2008 Ritterling ..... D32/25  
D620,211 S \* 7/2010 Shail ..... D32/25  
D629,168 S \* 12/2010 Park ..... D32/25

**1 Claim, 14 Drawing Sheets**



(56)

**References Cited**

U.S. PATENT DOCUMENTS

D801,604 S \* 10/2017 Lee ..... D32/9  
D811,028 S \* 2/2018 Ha ..... D32/25

\* cited by examiner

FIG. 1

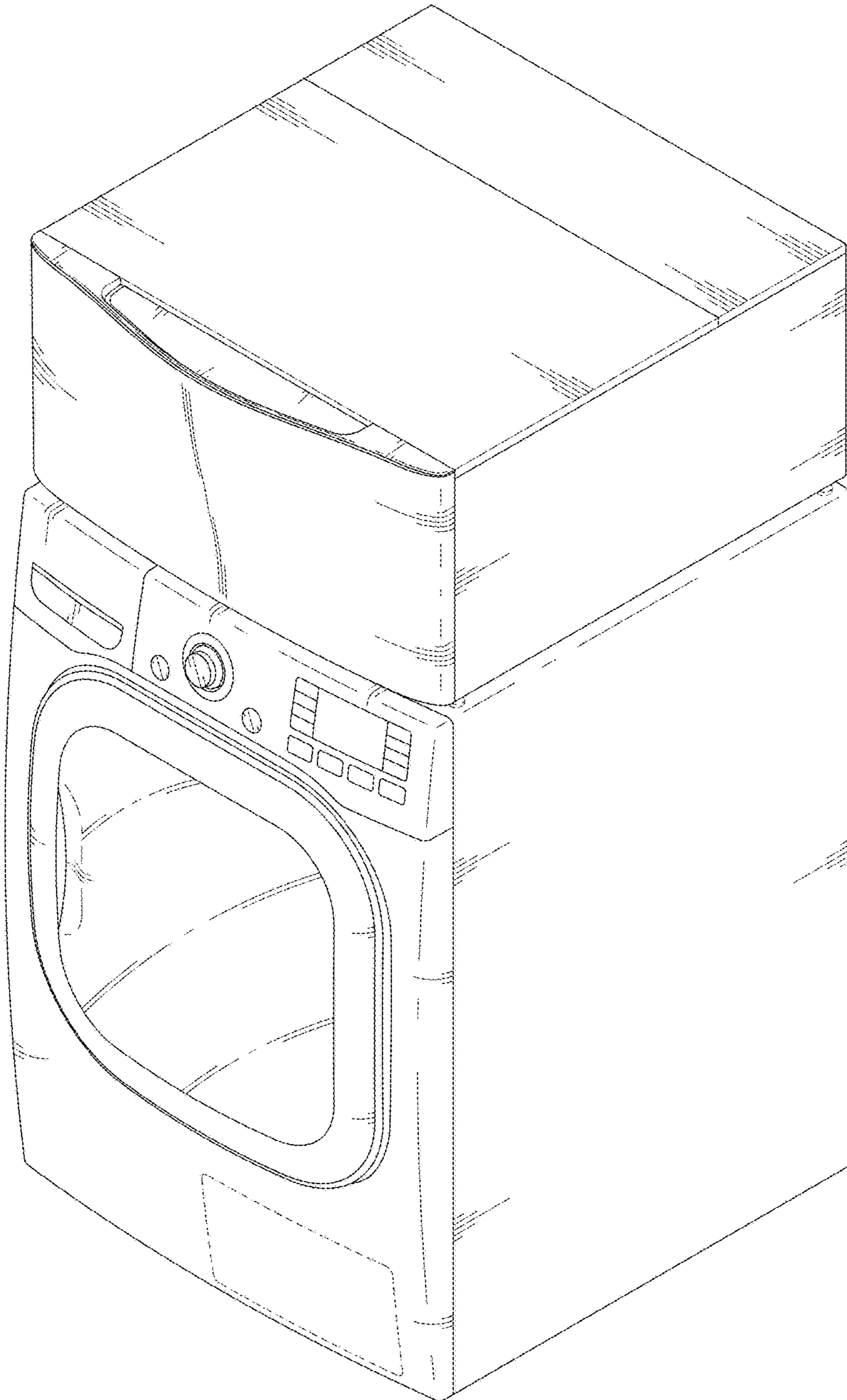


FIG. 2

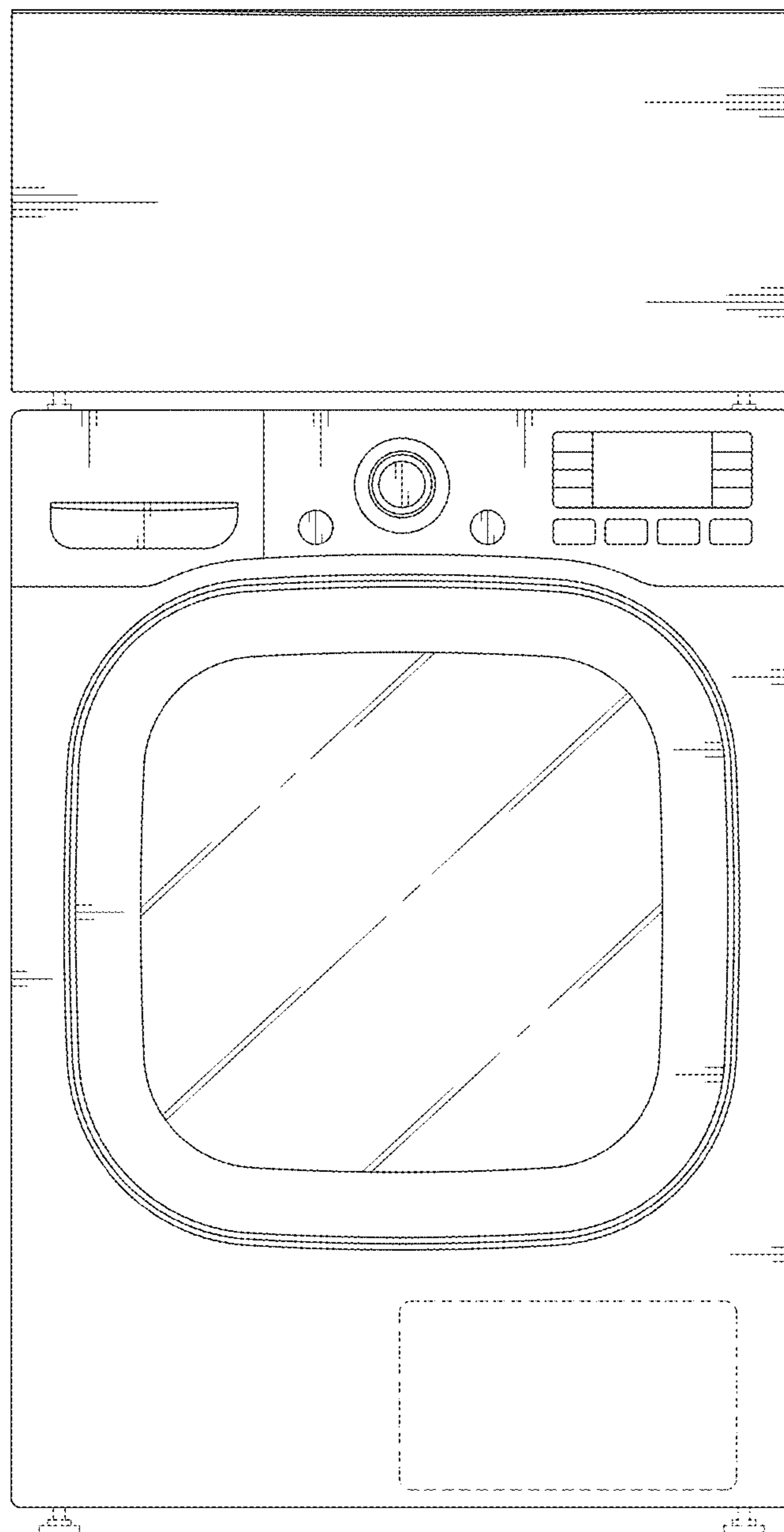


FIG. 3

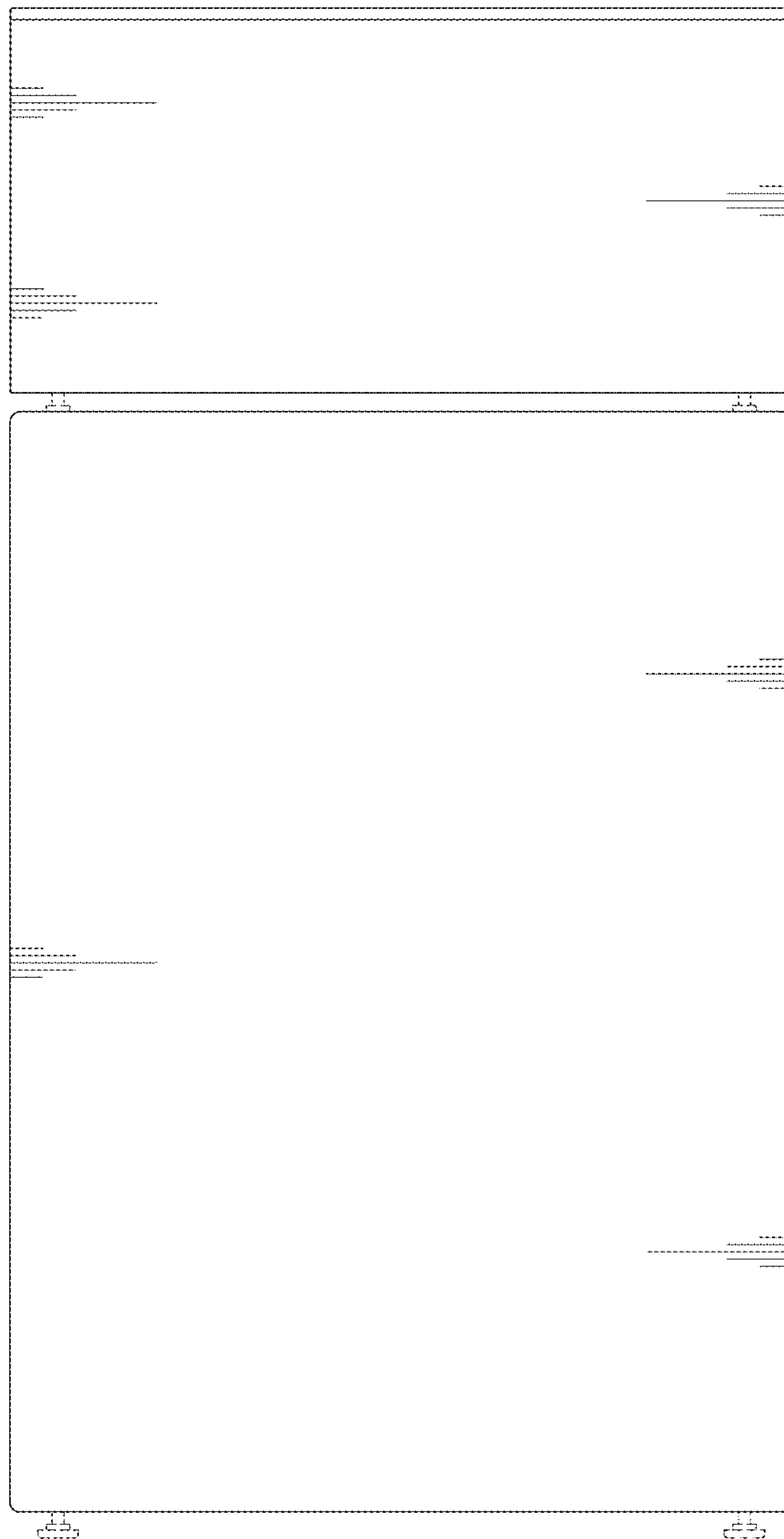


FIG. 4

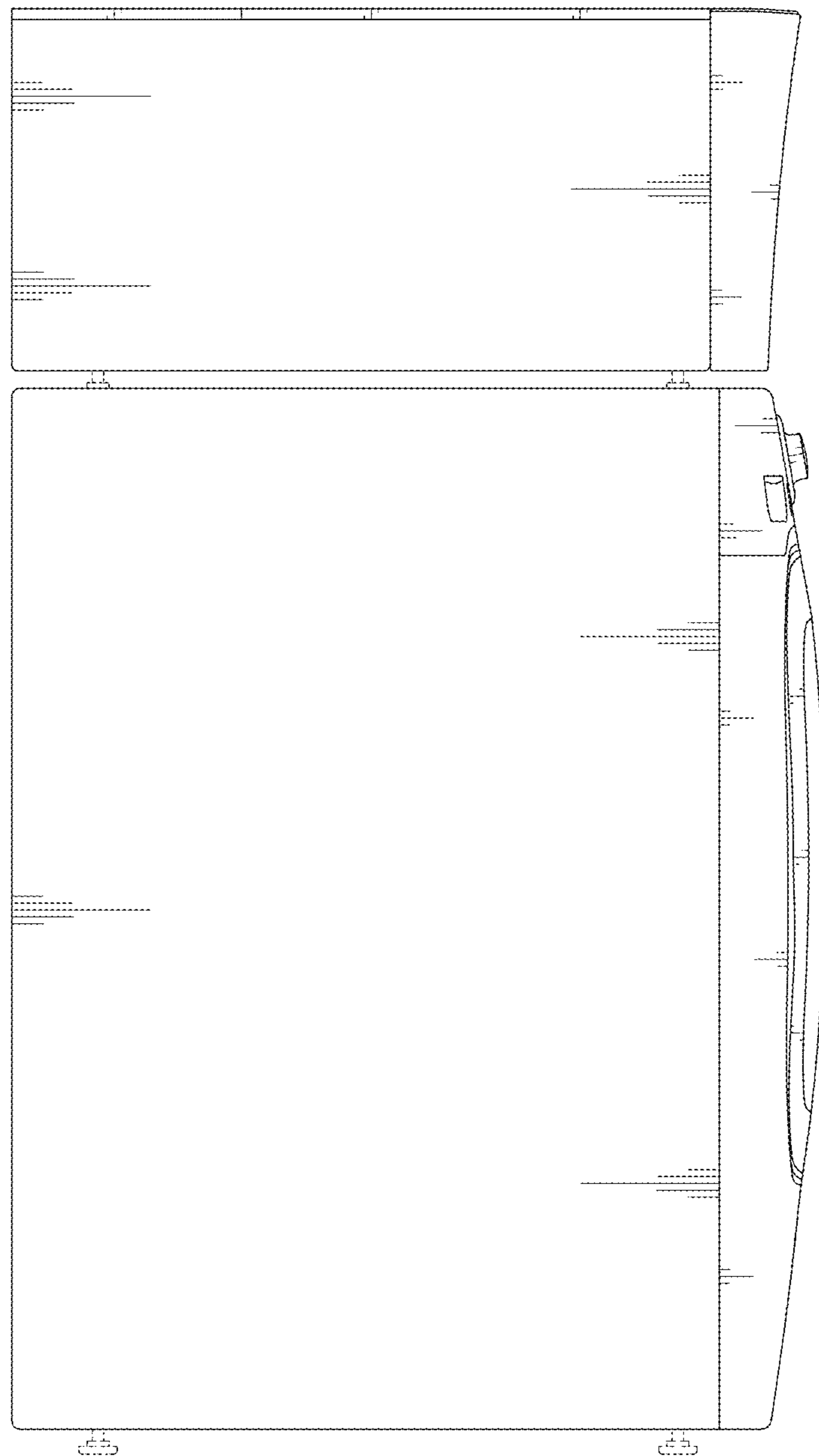


FIG. 5

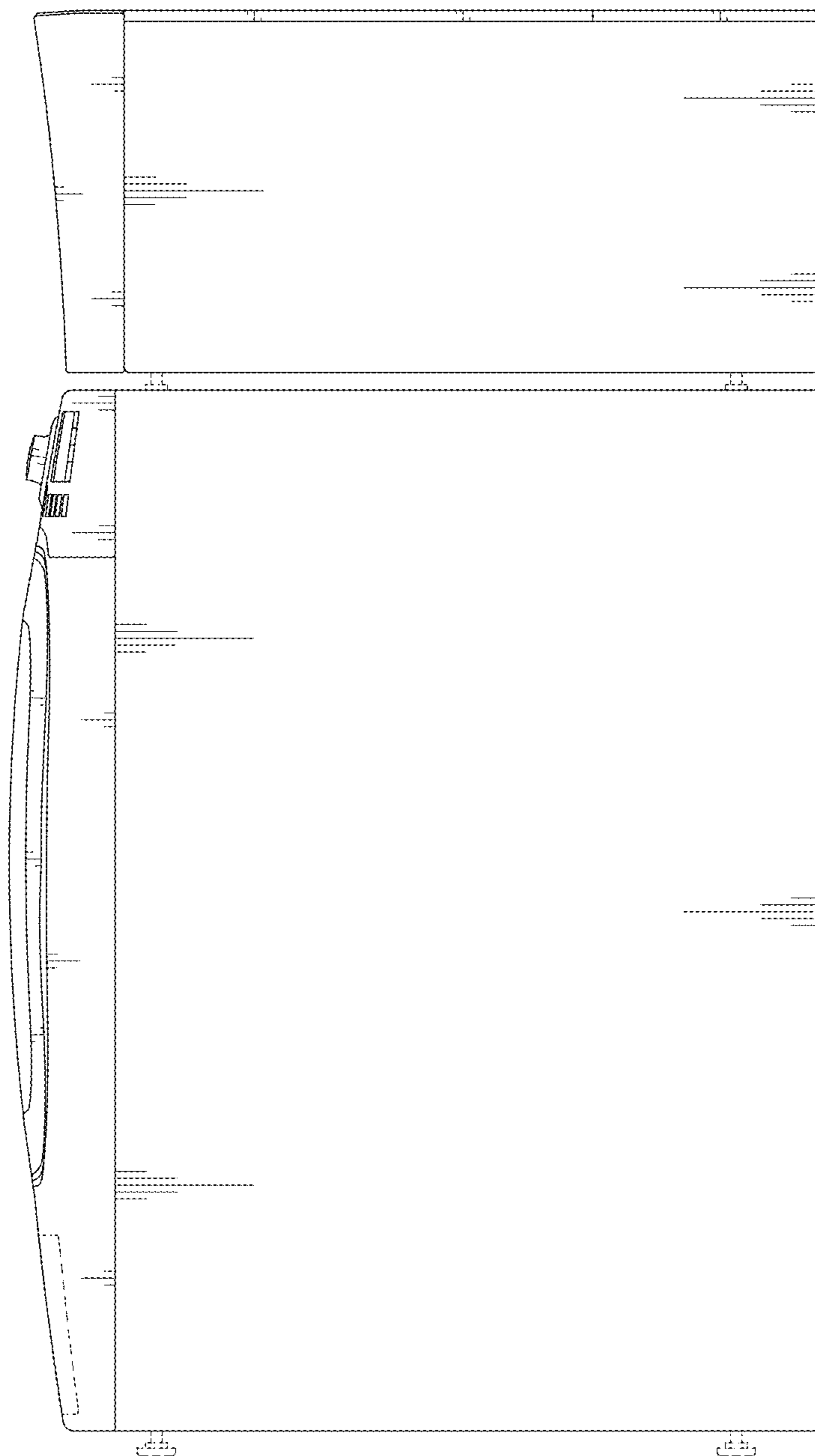


FIG. 6

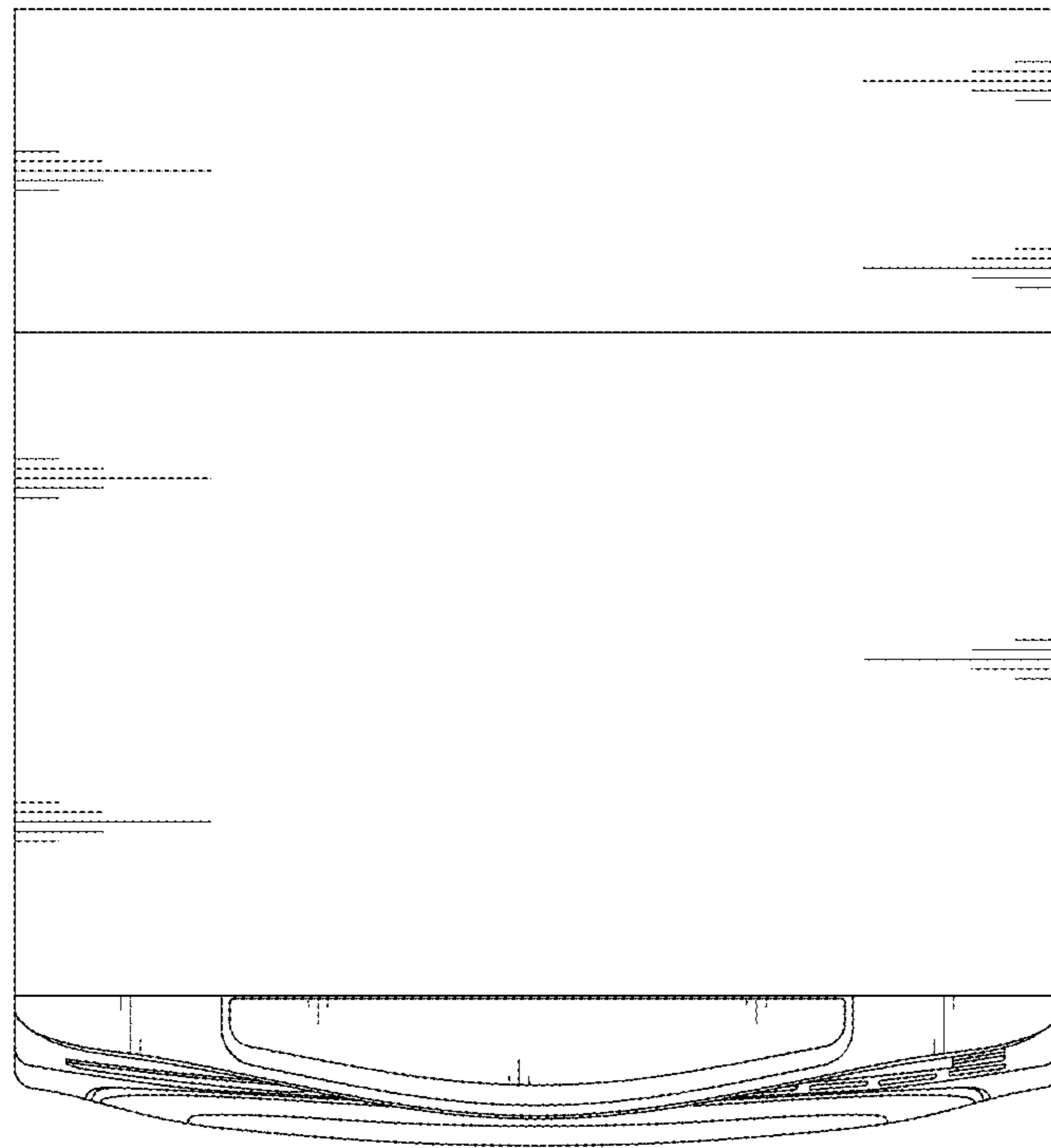




FIG. 7

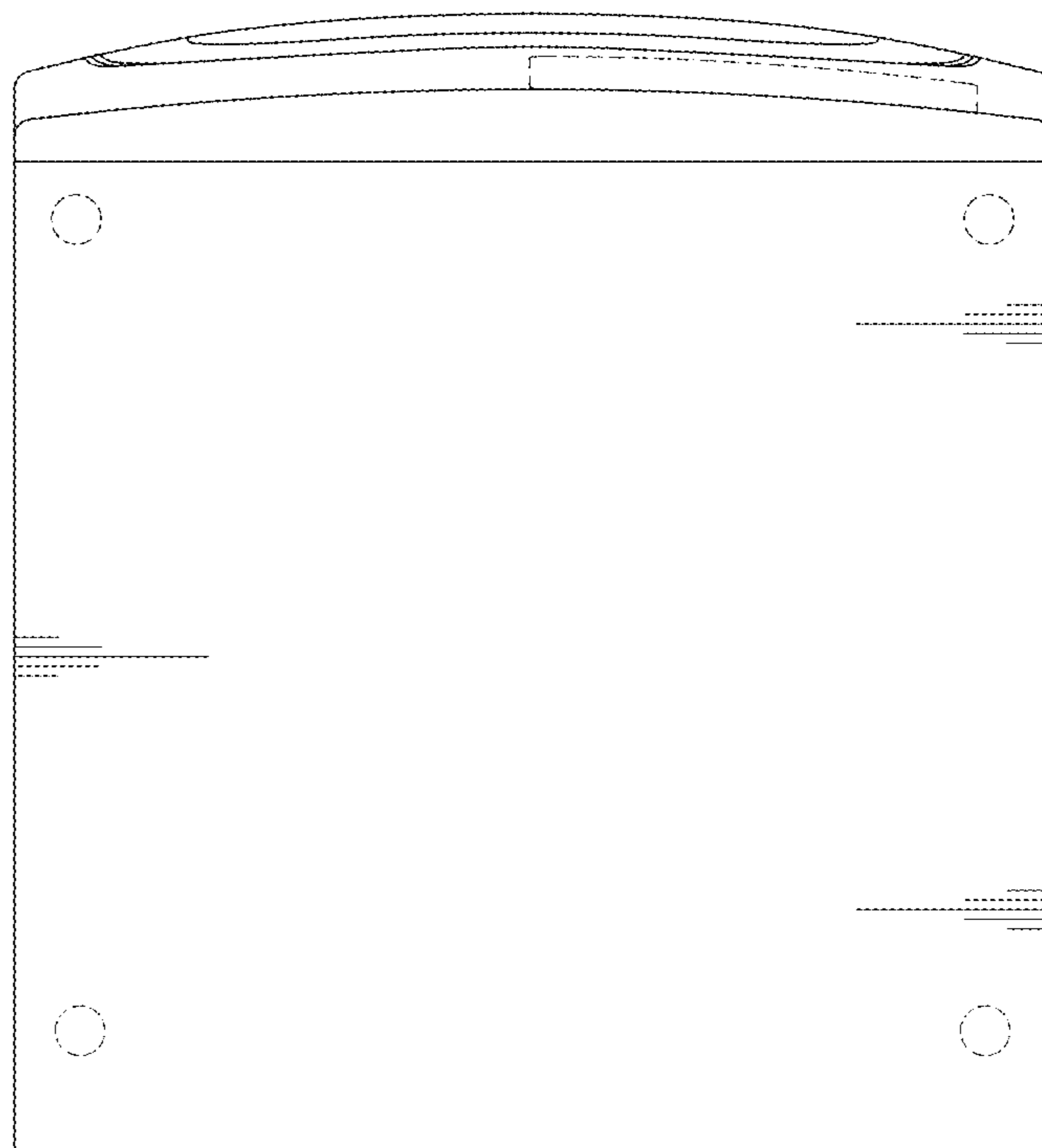


FIG. 8

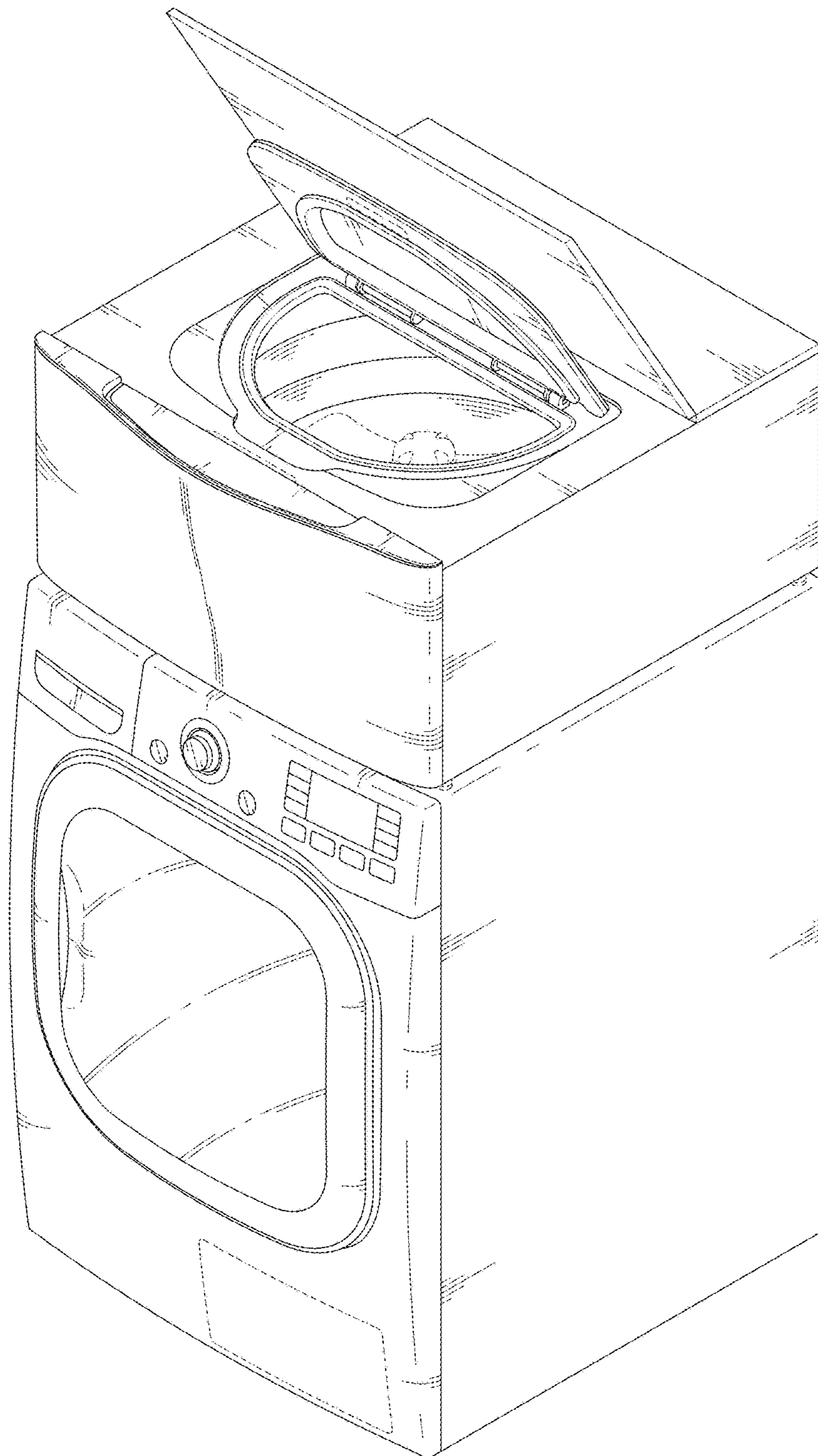


FIG. 9

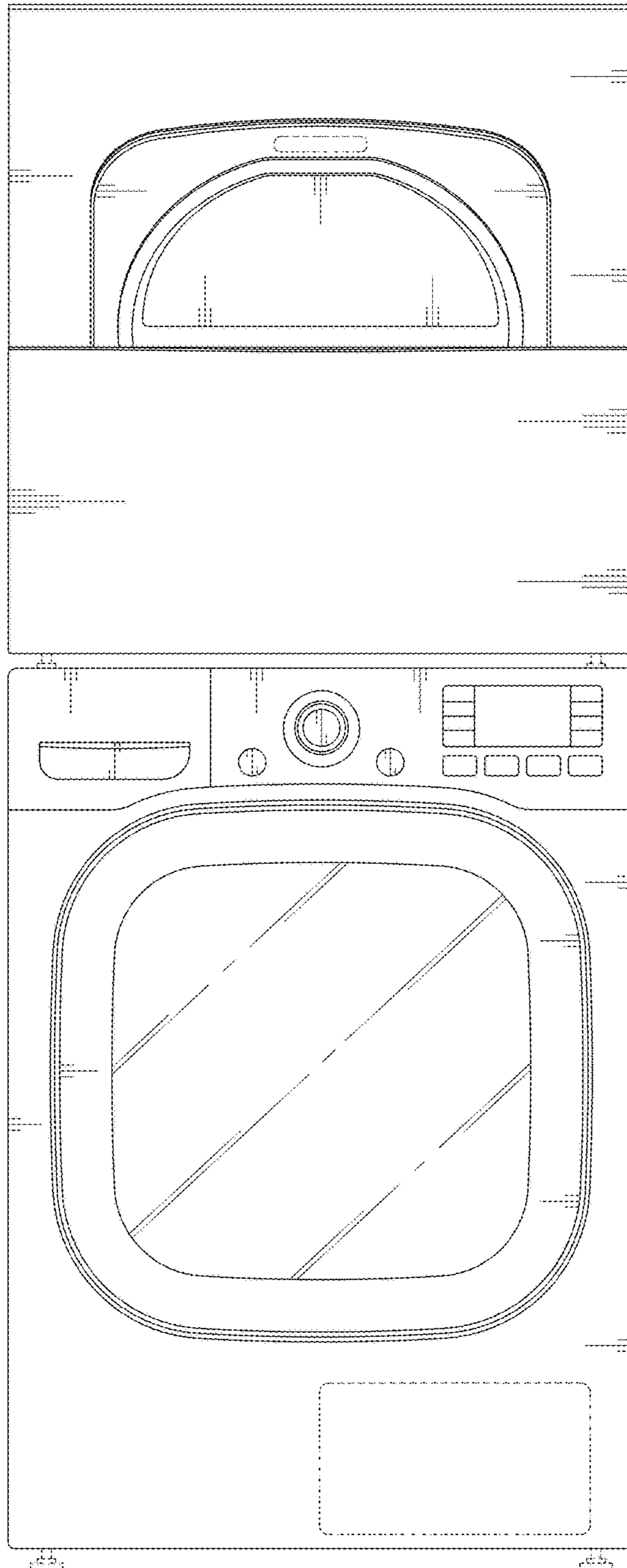


FIG. 10

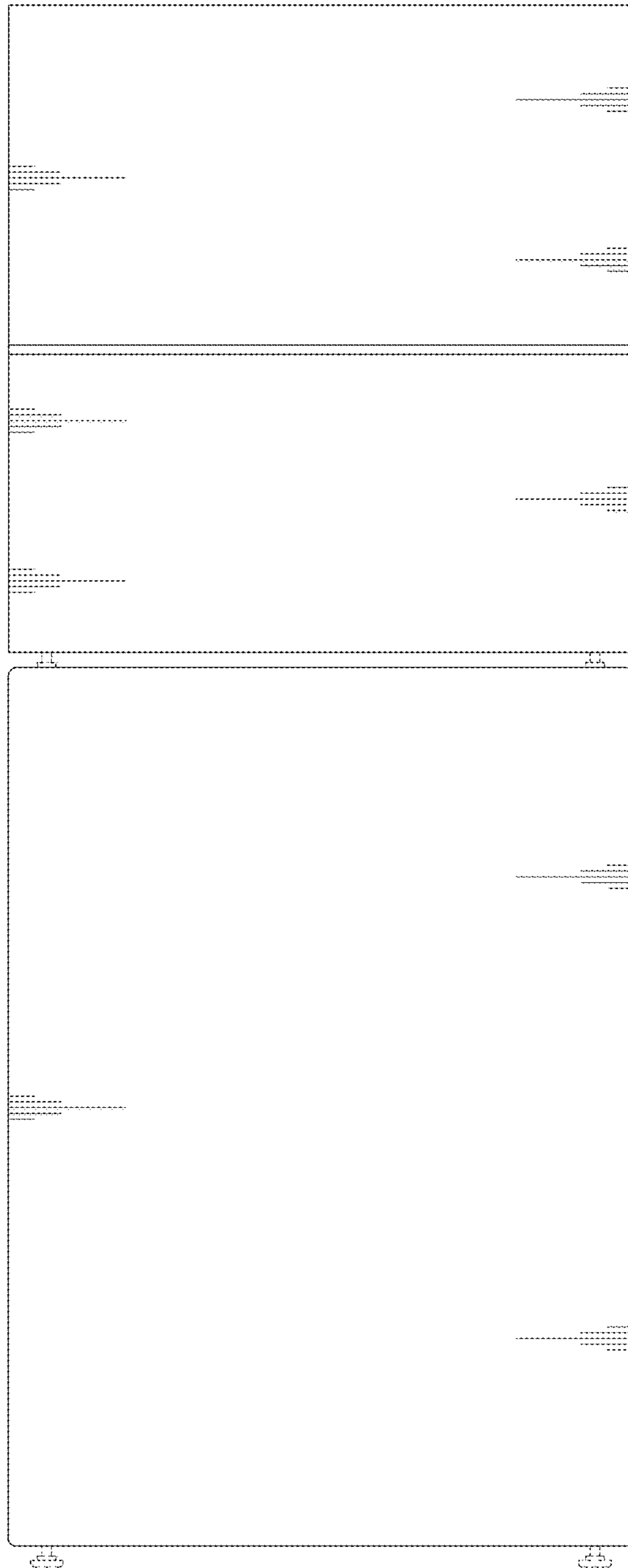


FIG. 11

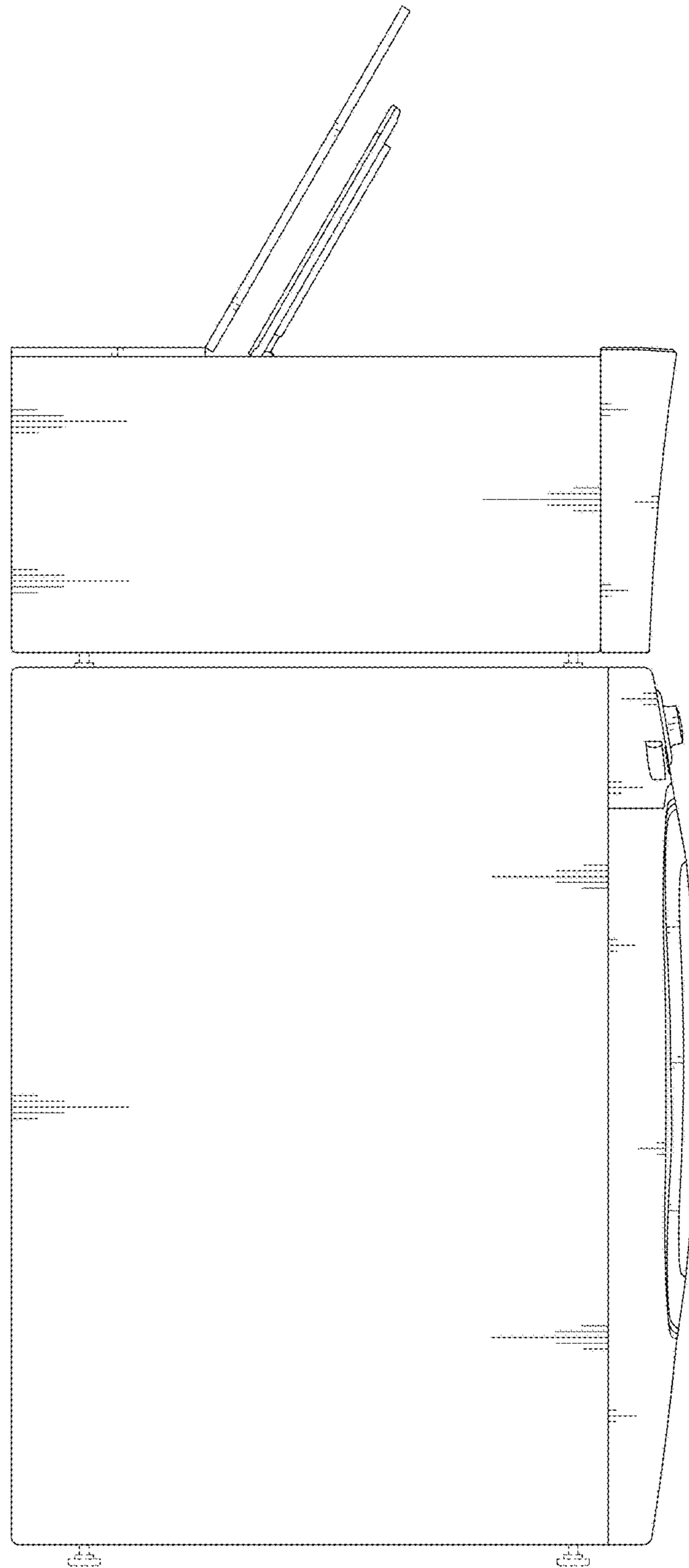


FIG. 12

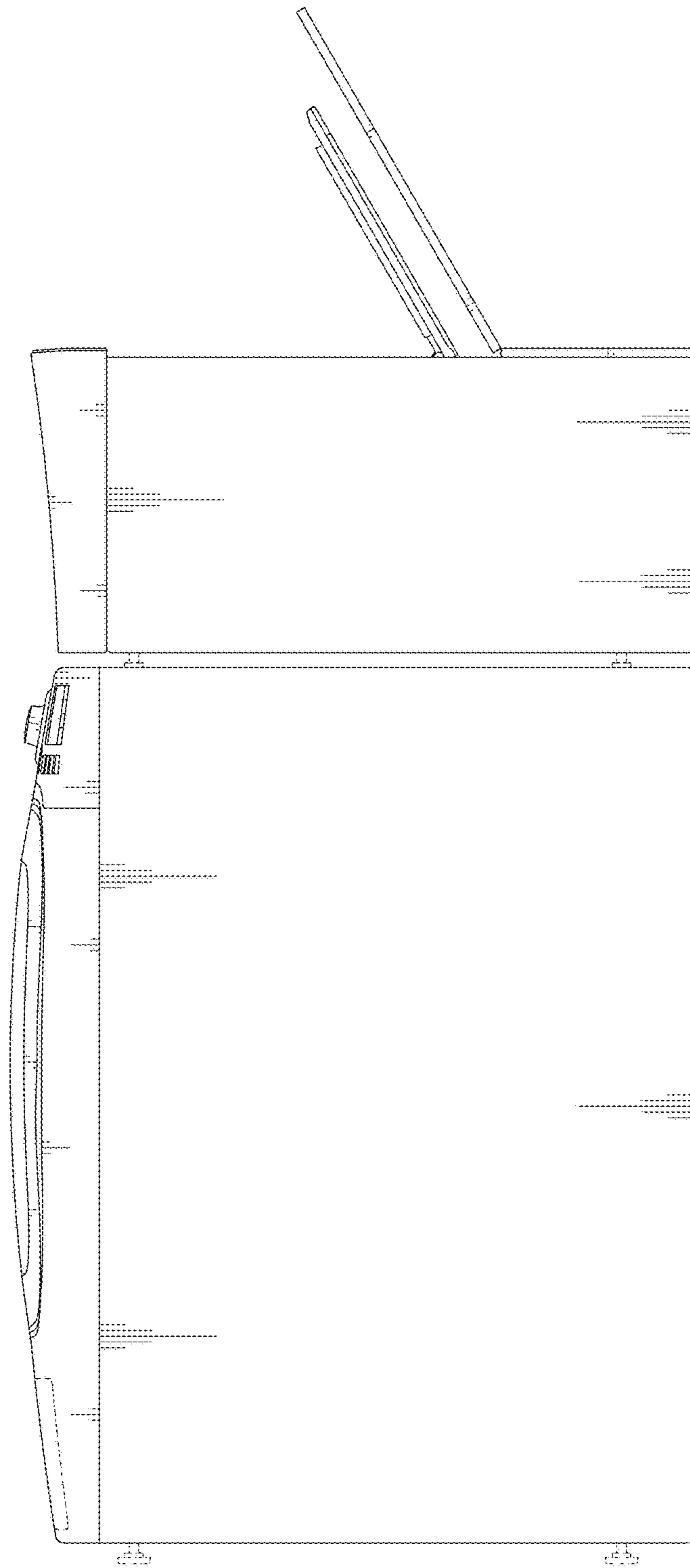


FIG. 13

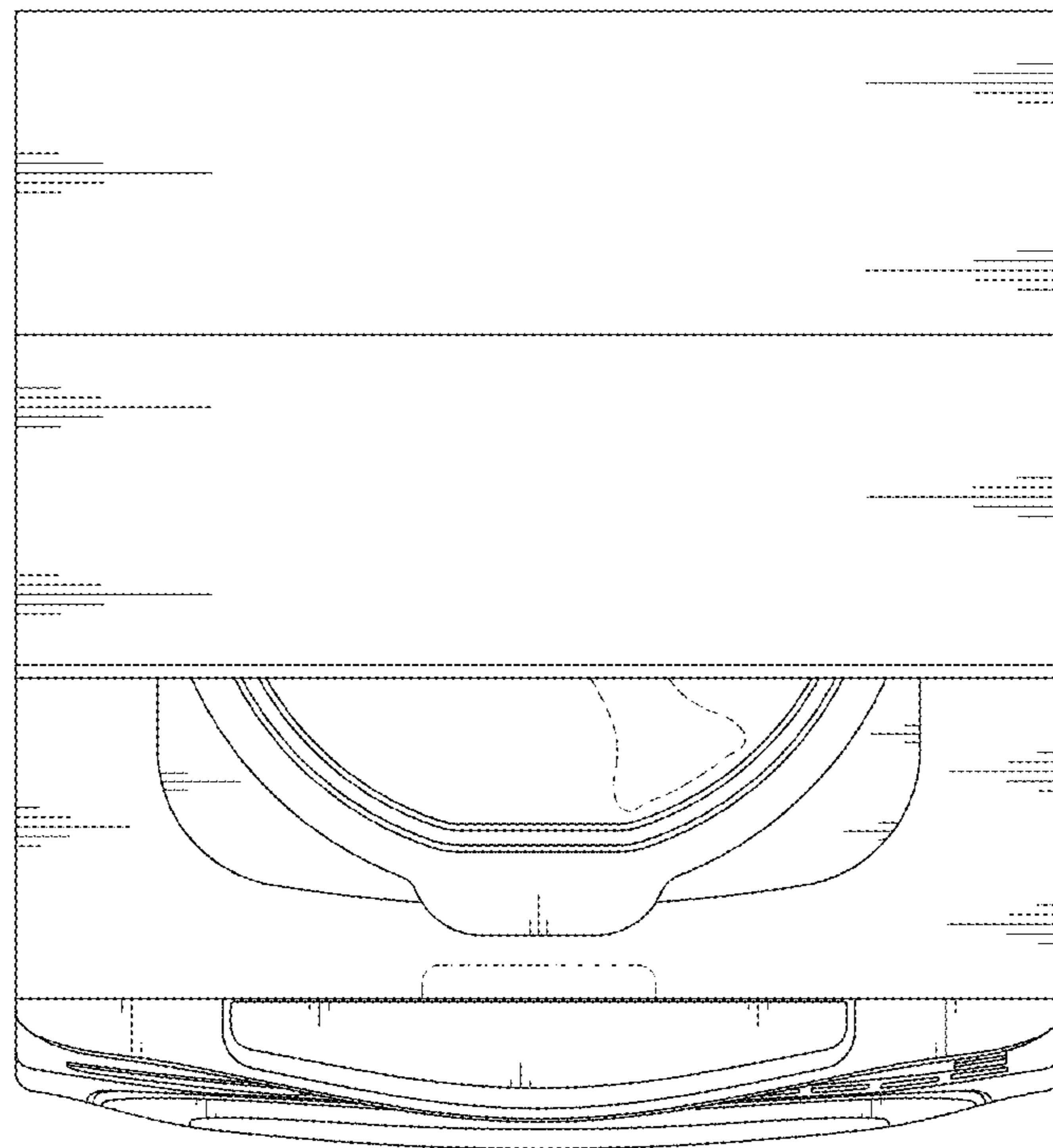


FIG. 14

