



US00D827222S

(12) **United States Design Patent** (10) **Patent No.:** **US D827,222 S**
Kim (45) **Date of Patent:** **** Aug. 28, 2018**

(54) **DOOR FOR DISHWASHER**
(71) Applicant: **SAMSUNG ELECTRONICS CO., LTD.**, Suwon-si, Gyeonggi-do (KR)
(72) Inventor: **Daejong Kim**, Suwon-si (KR)
(73) Assignee: **SAMSUNG ELECTRONICS CO., LTD.**, Gyeonggi-Do (KR)
(**) Term: **15 Years**
(21) Appl. No.: **29/597,872**
(22) Filed: **Mar. 21, 2017**

D730,593 S * 5/2015 Eng D32/3
D732,758 S * 6/2015 Roberson D32/3
D732,759 S * 6/2015 Roberson D32/3
D732,761 S * 6/2015 Roberson D32/3
D734,902 S * 7/2015 Eng D32/3
D741,031 S * 10/2015 Roberson D32/3
D743,119 S * 11/2015 Roberson D32/3
D743,121 S * 11/2015 Roberson D32/3
D745,755 S * 12/2015 Roberson D32/3
D748,353 S * 1/2016 Roberson D32/3
D748,875 S * 2/2016 Roberson D26/42
D765,923 S * 9/2016 Roberson D32/3
D778,009 S * 1/2017 Roberson D32/3
D791,418 S * 7/2017 Warren D32/3
2003/0205954 A1 * 11/2003 Oyler A47L 15/4265
312/311
2004/0201337 A1 * 10/2004 Wuestefeld A47L 15/4265
312/311

(30) **Foreign Application Priority Data**
Nov. 7, 2016 (KR) 30-2016-0053422
(51) **LOC (11) Cl.** **15-05**
(52) **U.S. Cl.**
USPC **D32/3**
(58) **Field of Classification Search**
USPC D32/1, 2; D15/91; D7/405-406
CPC .. A47L 15/00; A47L 15/0002; A47L 15/0005;
A47L 15/0007; A47L 15/0076
See application file for complete search history.

* cited by examiner
Primary Examiner — Michelle E Wilson
(74) *Attorney, Agent, or Firm* — Cantor Colburn LLP

(56) **References Cited**
U.S. PATENT DOCUMENTS
D480,520 S * 10/2003 Resuello D32/3
D516,758 S * 3/2006 Kirk D32/3
D517,252 S * 3/2006 Kirk D32/3
D539,994 S * 4/2007 Pezzetta D32/3
D558,409 S * 12/2007 Pezzetta D32/3
D672,101 S * 12/2012 Eng D32/3
D675,792 S * 2/2013 Eng D32/3
D685,149 S * 6/2013 Eng D32/3
D702,897 S * 4/2014 Eng D32/3
D702,899 S * 4/2014 Eng D32/3
D720,100 S * 12/2014 Roberson D32/3
D729,992 S * 5/2015 Haft D32/3

(57) **CLAIM**
The ornamental design for a door for dishwasher, as shown and described.

DESCRIPTION

FIG. 1 is the perspective view of a door for dishwasher showing my new design;
FIG. 2 is the front view thereof;
FIG. 3 is the rear view thereof;
FIG. 4 is the left side view thereof;
FIG. 5 is the right side view thereof;
FIG. 6 is the top view thereof;
FIG. 7 is the bottom view thereof; and,
FIG. 8 is the perspective view thereof shown in an example environment.
The broken lines in the figures depict environmental subject matter and form no part of the claimed design.

1 Claim, 6 Drawing Sheets

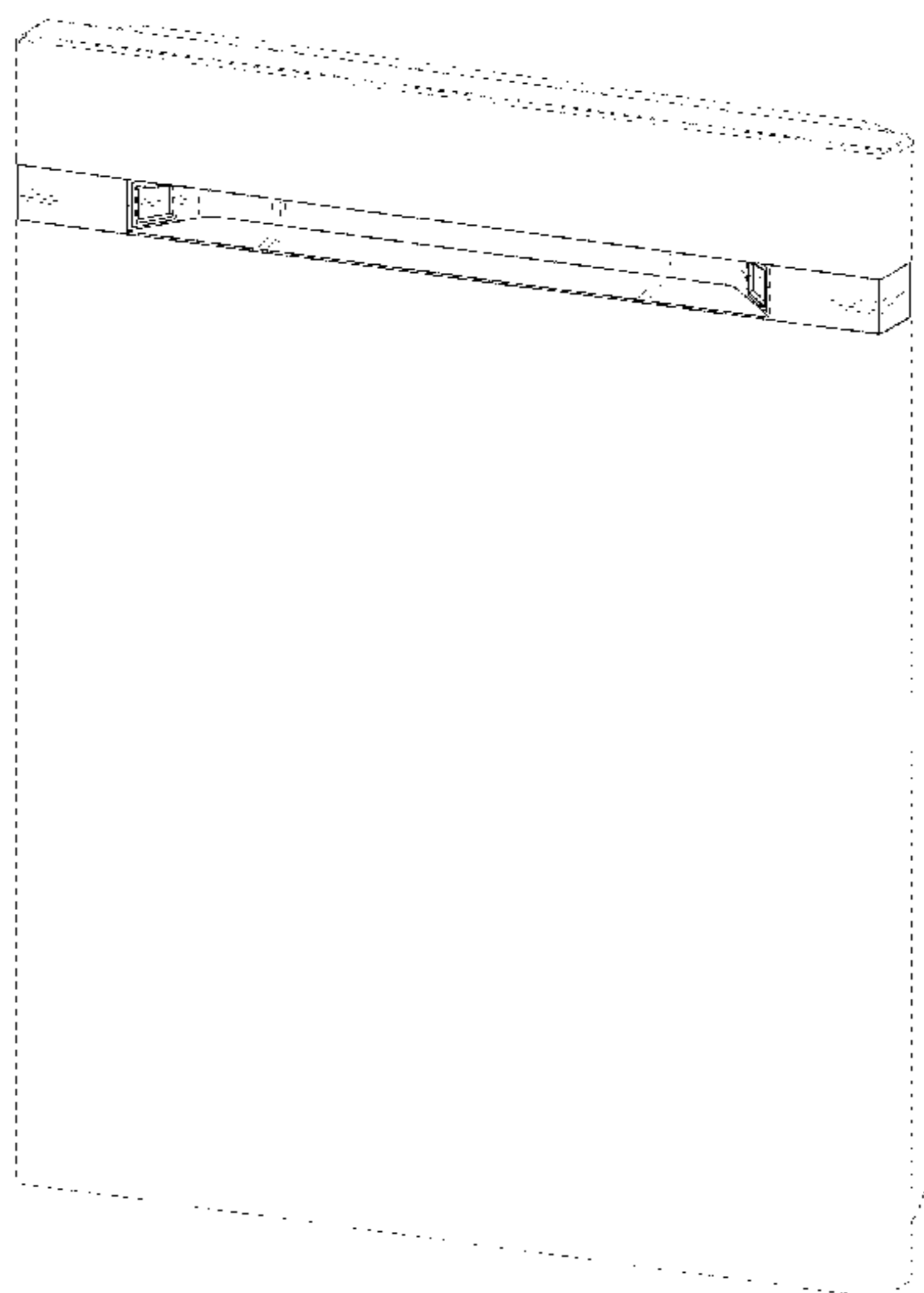


FIG. 1

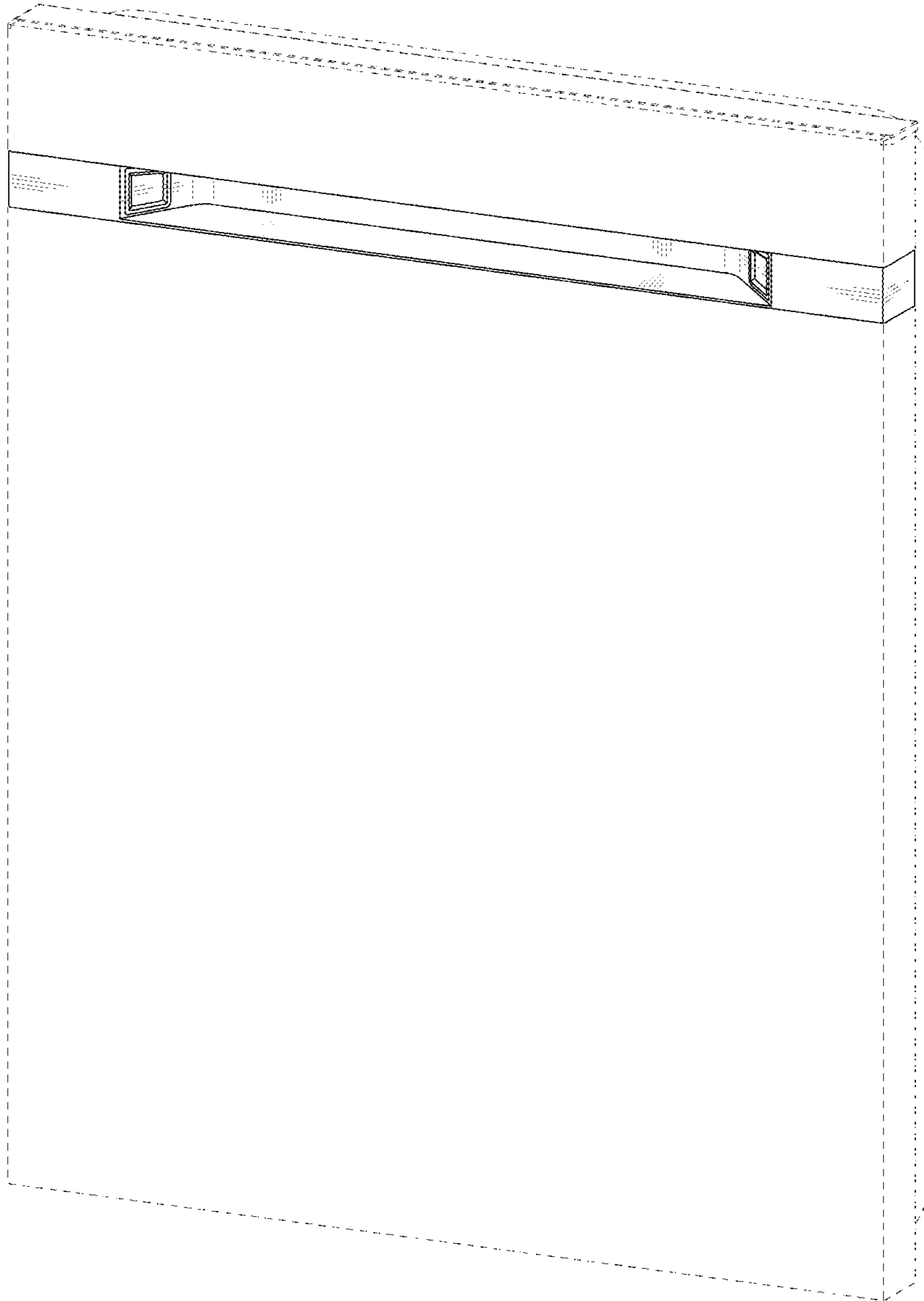


FIG. 2

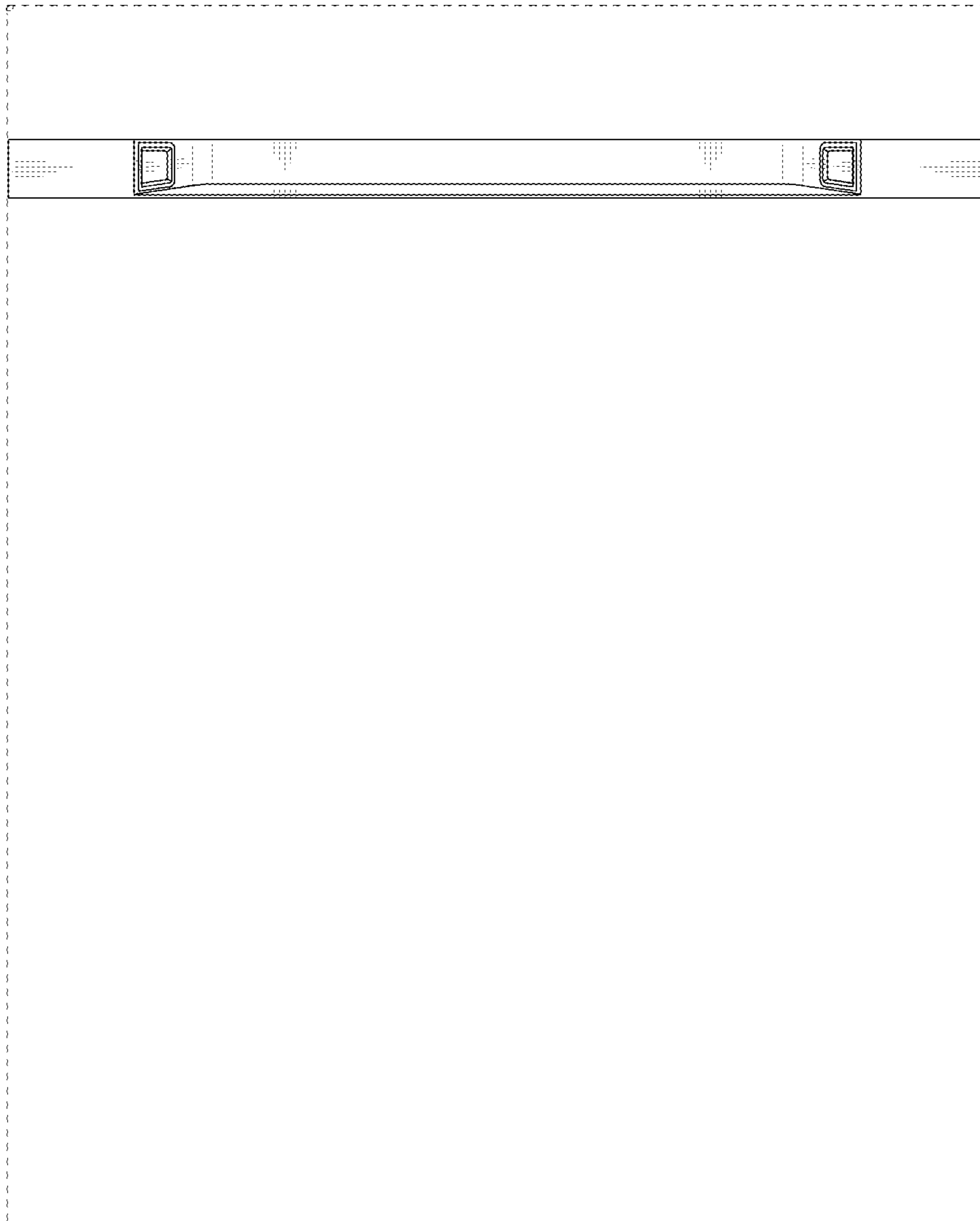


FIG. 3

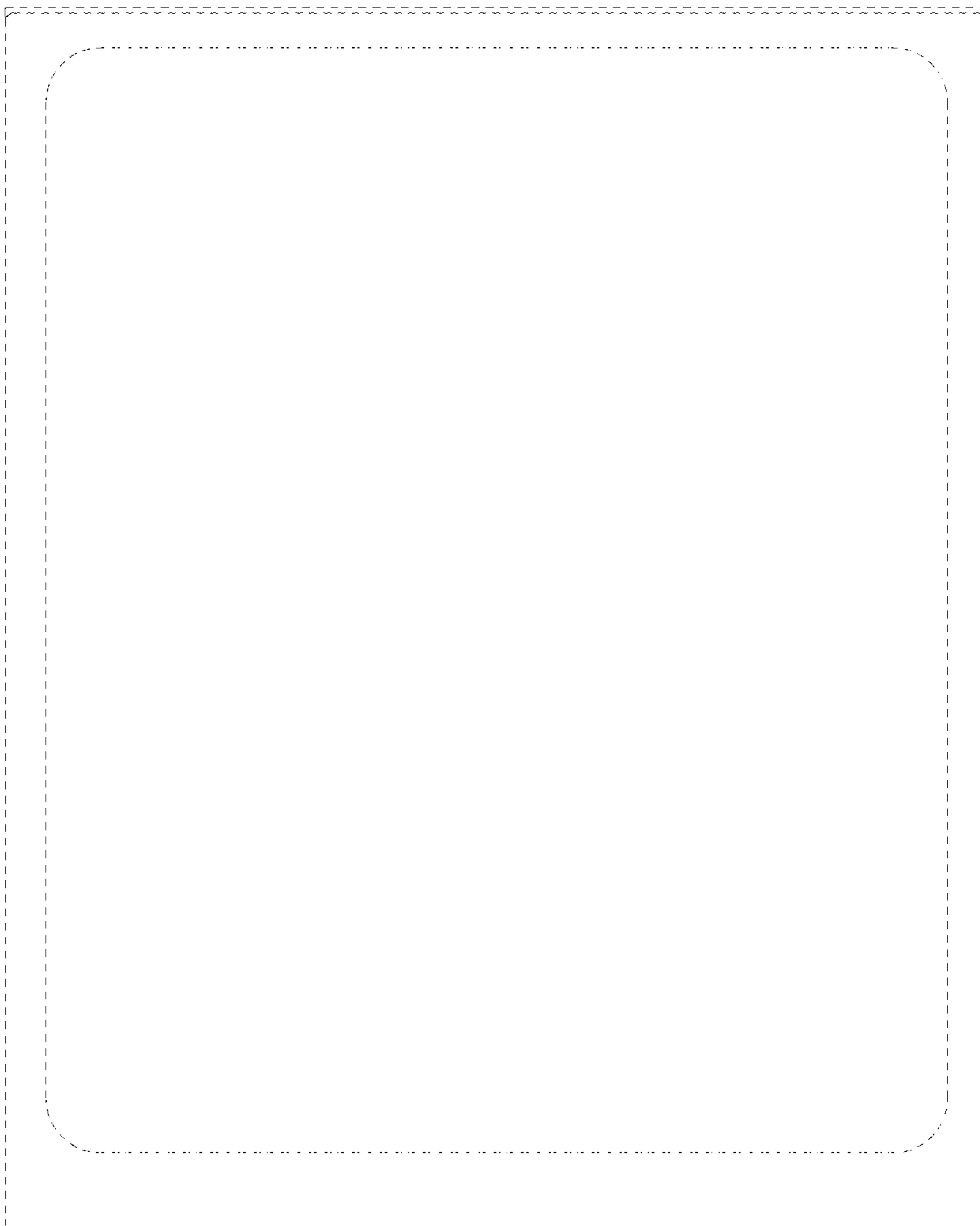


FIG. 4

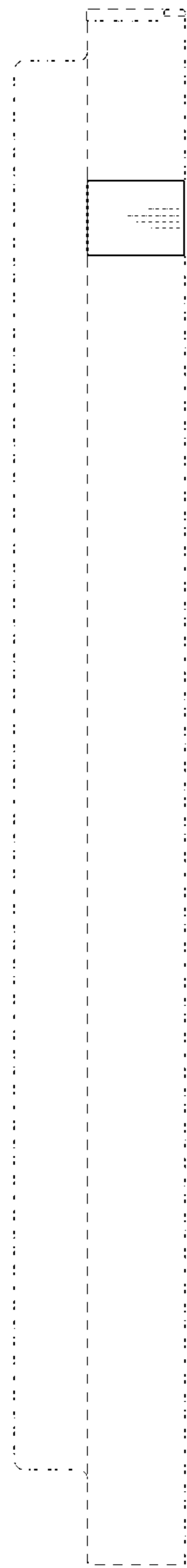


FIG. 5

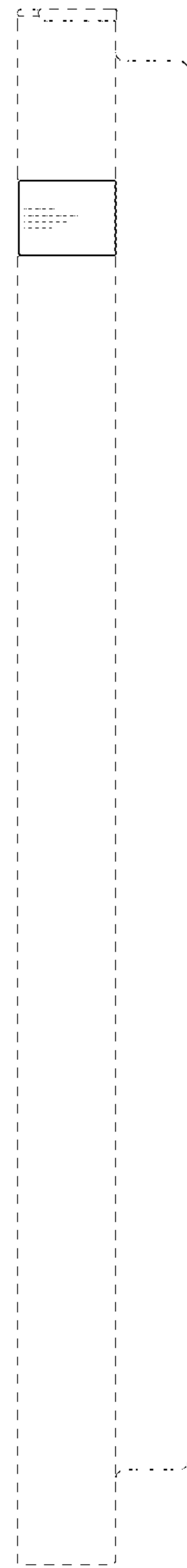


FIG. 6

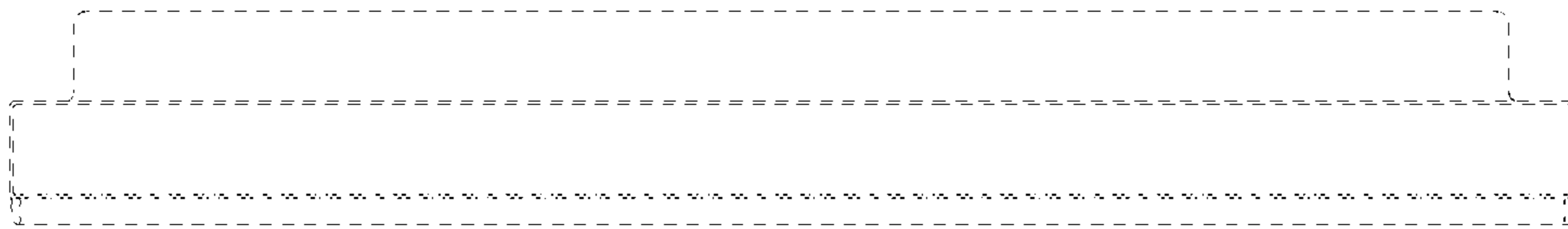


FIG. 7

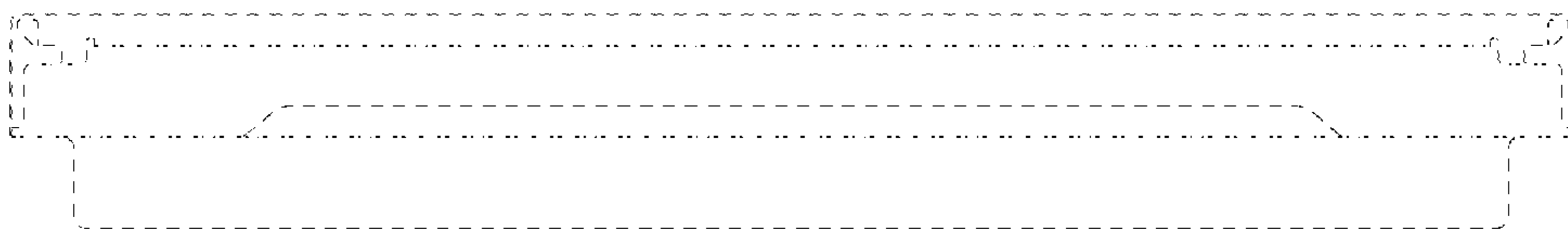


FIG. 8

