



US00D827220S

(12) **United States Design Patent** (10) **Patent No.:** **US D827,220 S**  
**Kim** (45) **Date of Patent:** **\*\* Aug. 28, 2018**

(54) **DOOR FOR DISHWASHER**  
(71) Applicant: **SAMSUNG ELECTRONICS CO., LTD.**, Suwon-si, Gyeonggi-do (KR)  
(72) Inventor: **Daejong Kim**, Suwon-si (KR)  
(73) Assignee: **SAMSUNG ELECTRONICS CO., LTD.**, Gyeonggi-Do (KR)  
(\*\*) Term: **15 Years**  
(21) Appl. No.: **29/597,867**  
(22) Filed: **Mar. 21, 2017**

D702,899 S \* 4/2014 Eng ..... D32/3  
D720,100 S \* 12/2014 Roberson ..... D32/3  
D729,992 S \* 5/2015 Haft ..... D32/3  
D730,593 S \* 5/2015 Eng ..... D32/3  
D732,758 S \* 6/2015 Roberson ..... D32/3  
D732,759 S \* 6/2015 Roberson ..... D32/3  
D732,761 S \* 6/2015 Roberson ..... D32/3  
D734,902 S \* 7/2015 Eng ..... D32/3  
D741,031 S \* 10/2015 Roberson ..... D32/3  
D743,119 S \* 11/2015 Roberson ..... D32/3  
D743,121 S \* 11/2015 Roberson ..... D32/3  
D745,755 S \* 12/2015 Roberson ..... D32/3  
D748,353 S \* 1/2016 Roberson ..... D32/3  
D748,875 S \* 2/2016 Roberson ..... D26/42  
D765,923 S \* 9/2016 Roberson ..... D32/3  
D778,009 S \* 1/2017 Roberson ..... D32/3  
D791,418 S \* 7/2017 Warren ..... D32/3  
2003/0205954 A1 \* 11/2003 Oyler ..... A47L 15/4265  
312/311

(30) **Foreign Application Priority Data**

Nov. 4, 2016 (KR) ..... 30-2016-0053137

(51) **LOC (11) Cl.** ..... **15-05**

(52) **U.S. Cl.**  
USPC ..... **D32/2**

(58) **Field of Classification Search**  
USPC ..... D7/340, 348; D32/2, 6, 8, 10, 25  
CPC .... A47L 15/22; A47L 15/449; A47L 15/4463;  
A47L 15/4445; A47L 15/4295; A47L  
15/0055; A47L 15/0057; A47L 2301/04;  
A47L 2501/07

See application file for complete search history.

(56) **References Cited**

**U.S. PATENT DOCUMENTS**

D480,520 S \* 10/2003 Resuello ..... D32/3  
D516,758 S \* 3/2006 Kirk ..... D32/3  
D517,252 S \* 3/2006 Kirk ..... D32/3  
D539,994 S \* 4/2007 Pezzetta ..... D32/3  
D558,409 S \* 12/2007 Pezzetta ..... D32/3  
D672,101 S \* 12/2012 Eng ..... D32/3  
D675,792 S \* 2/2013 Eng ..... D32/3  
D685,149 S \* 6/2013 Eng ..... D32/3  
D702,897 S \* 4/2014 Eng ..... D32/3

(Continued)

*Primary Examiner* — Michelle E Wilson

(74) *Attorney, Agent, or Firm* — Cantor Colburn LLP

(57) **CLAIM**

The ornamental design for an door for dishwasher, as shown and described.

**DESCRIPTION**

FIG. 1 is the perspective view of a door for dishwasher showing my new design;

FIG. 2 is the front view thereof;

FIG. 3 is the rear view thereof;

FIG. 4 is the left side view thereof;

FIG. 5 is the right side view thereof;

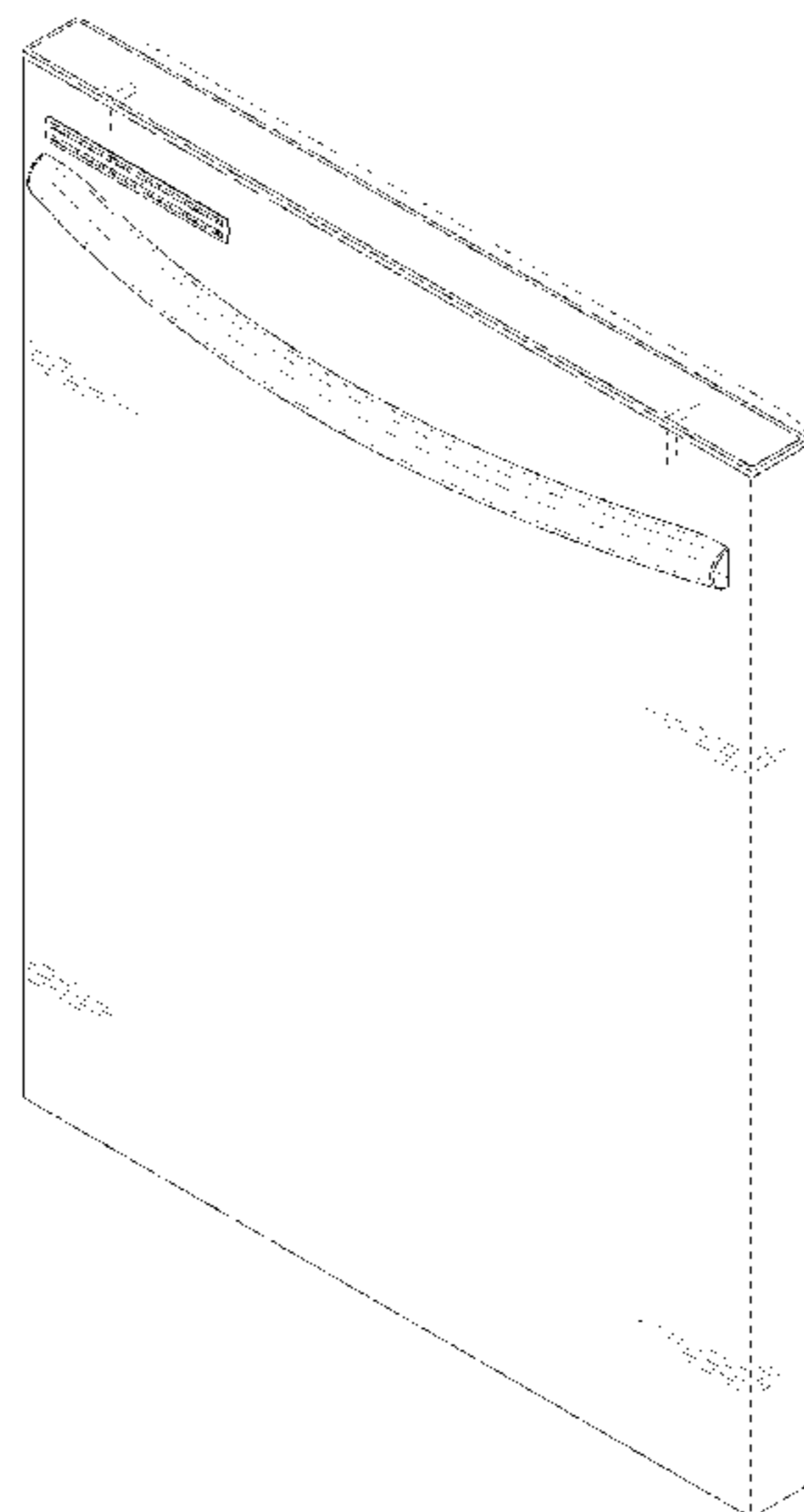
FIG. 6 is the top view thereof;

FIG. 7 is the bottom view thereof; and,

FIG. 8 is the perspective view thereof shown in an example environment.

The broken lines illustrating portions of a door for dishwasher form no part of the claimed design.

**1 Claim, 6 Drawing Sheets**



(56)

**References Cited**

U.S. PATENT DOCUMENTS

2004/0201337 A1 \* 10/2004 Wuestefeld ..... A47L 15/4265  
312/311

\* cited by examiner

FIG. 1

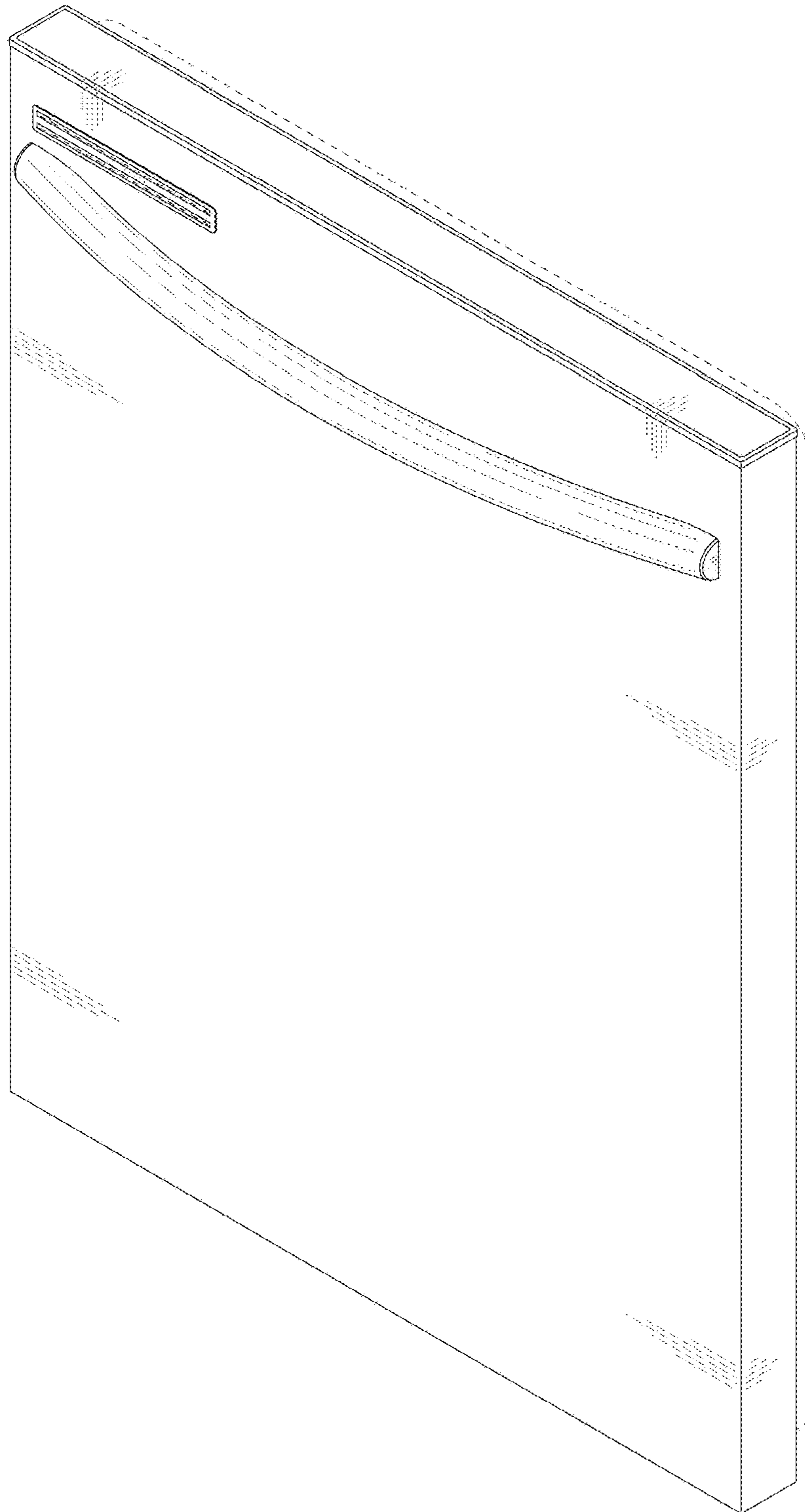


FIG. 2

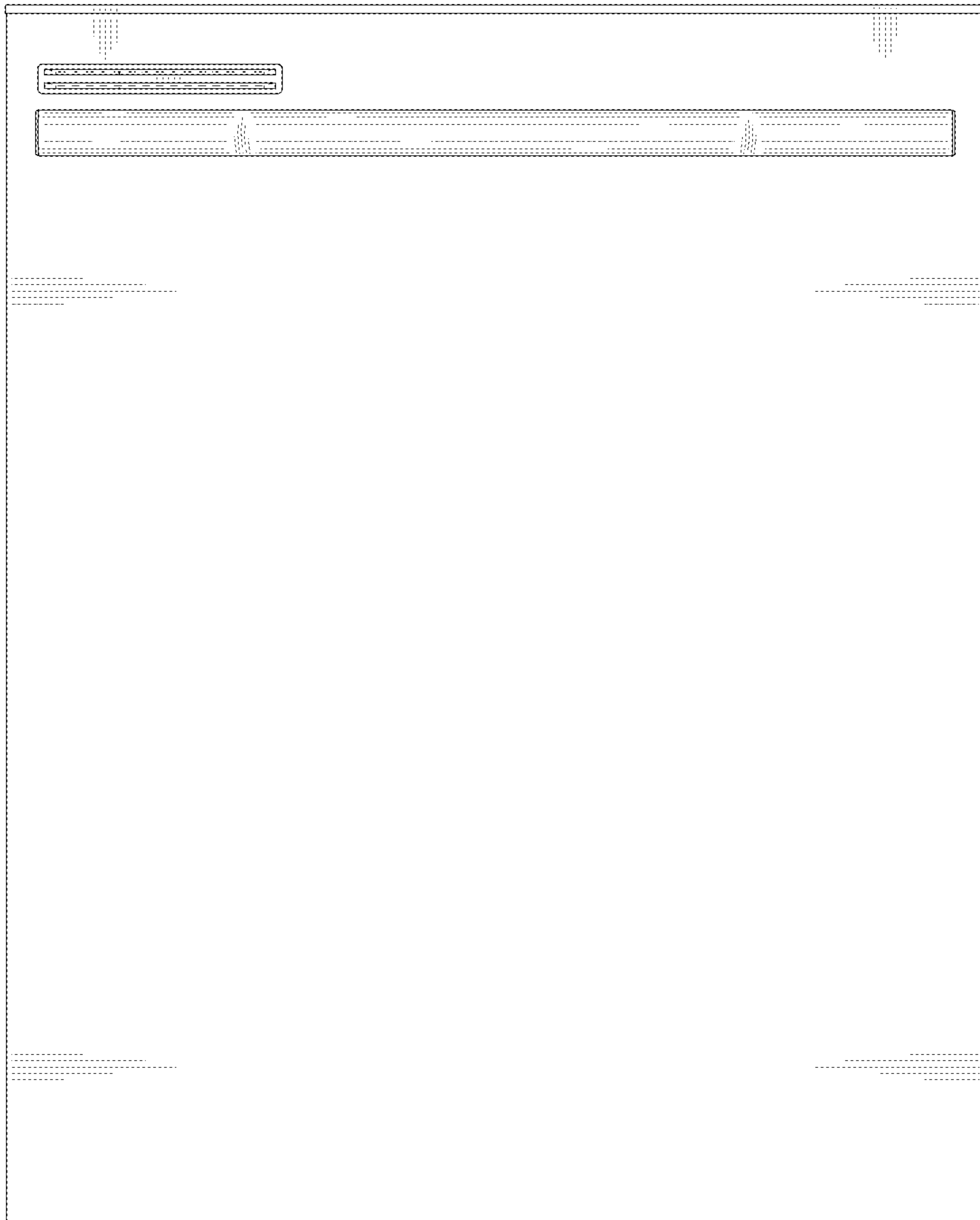


FIG. 3

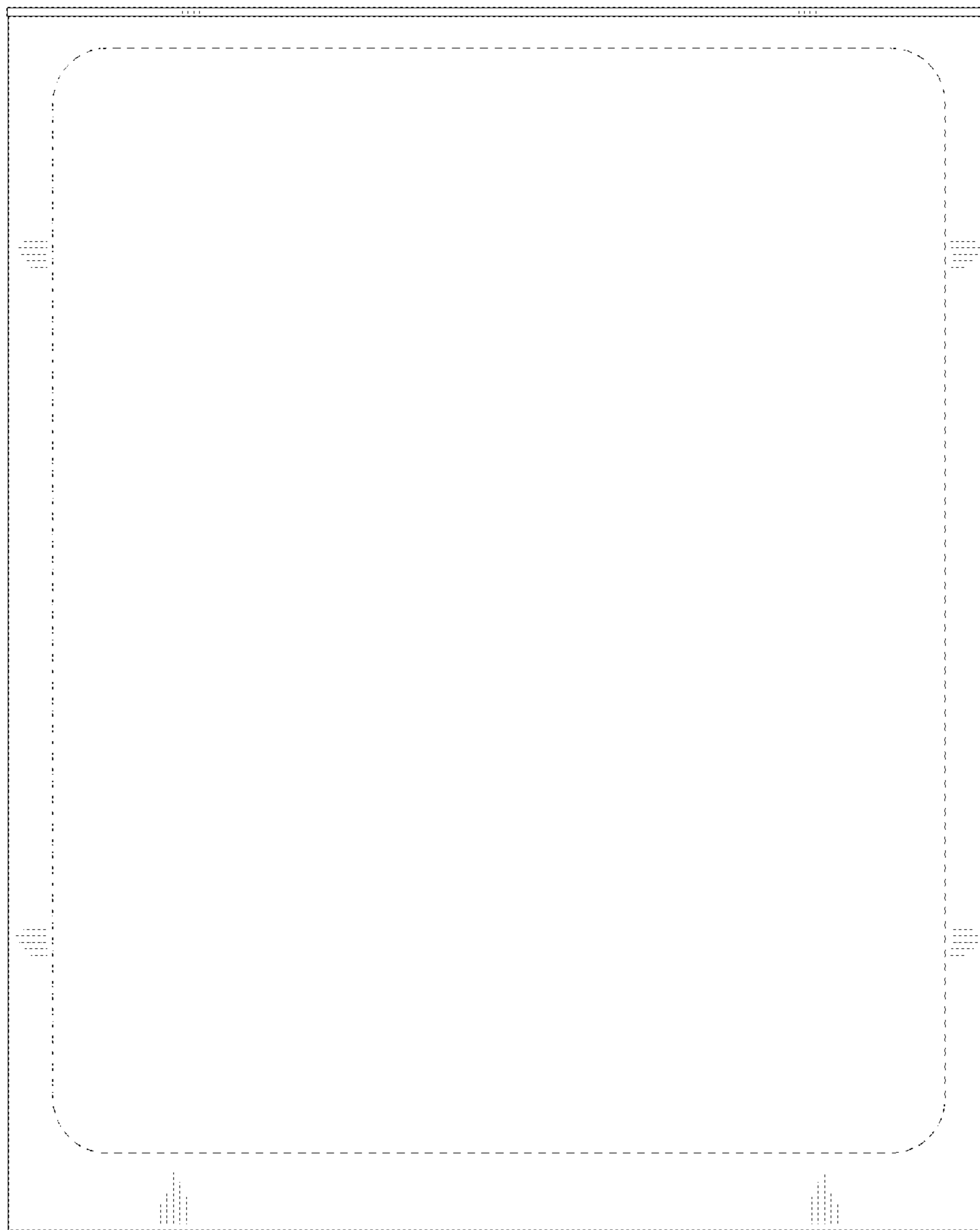


FIG. 4

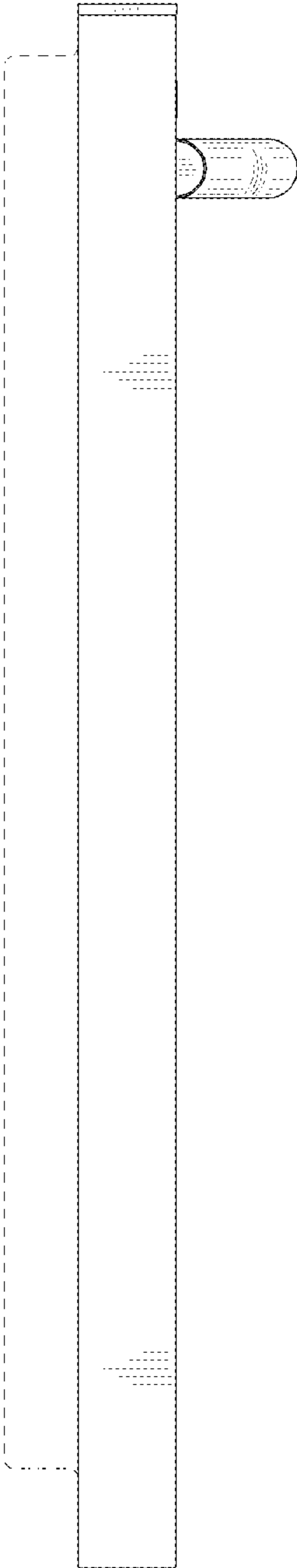


FIG. 5

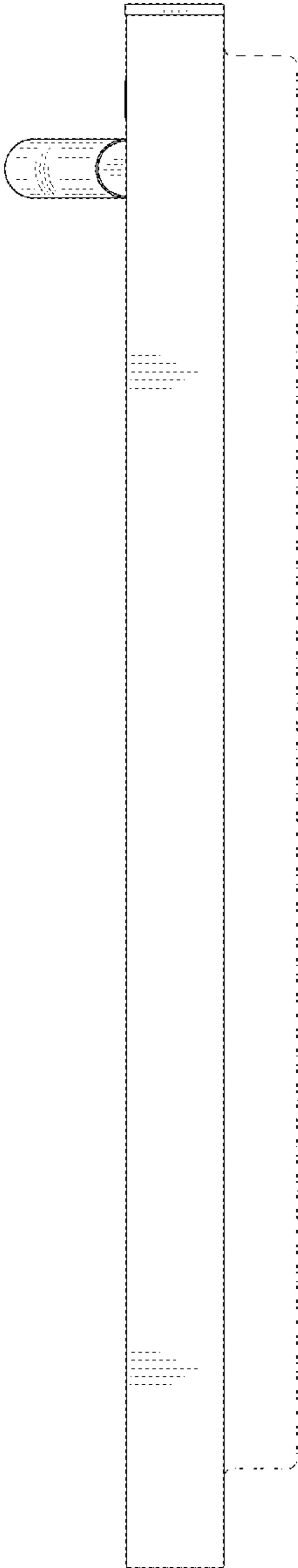


FIG. 6

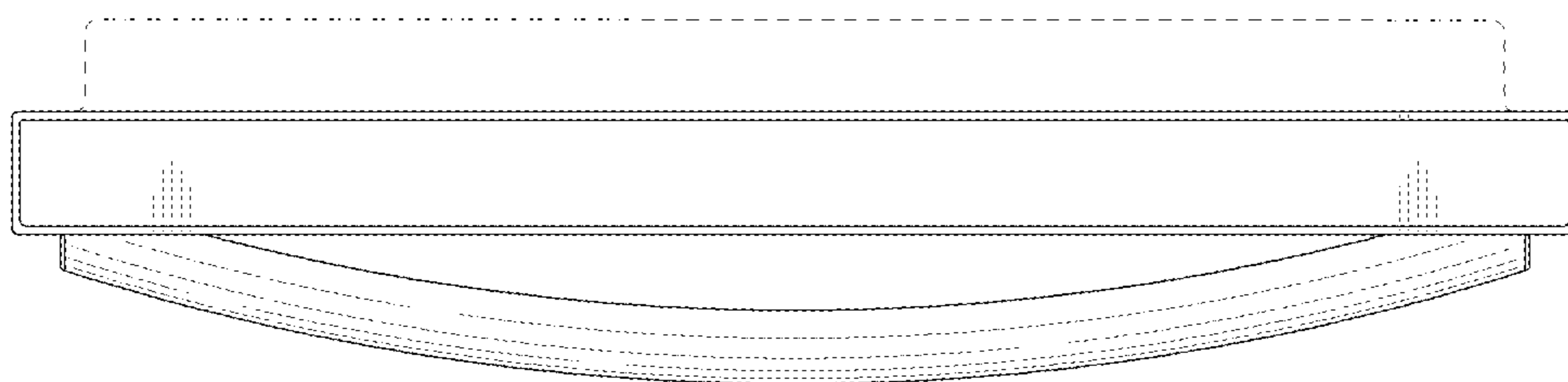


FIG. 7

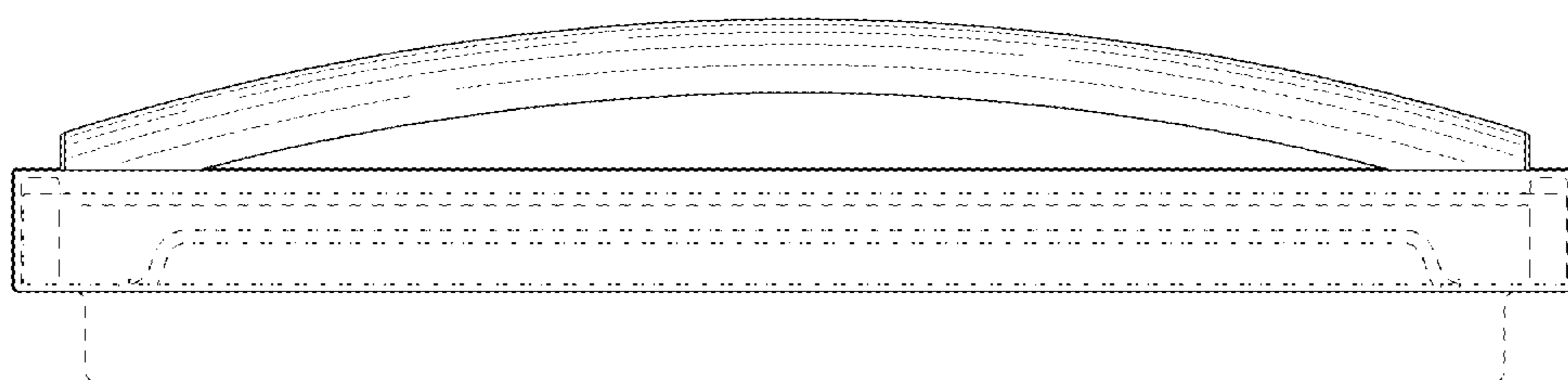


FIG. 8

