



US00D827215S

(12) **United States Design Patent**
Kao

(10) **Patent No.:** **US D827,215 S**

(45) **Date of Patent:** **** Aug. 28, 2018**

(54) **SADDLE FASTENING DEVICE**

(71) Applicant: **Chung Wei Kao**, Keelung (TW)

(72) Inventor: **Chung Wei Kao**, Keelung (TW)

(**) Term: **15 Years**

(21) Appl. No.: **29/585,571**

(22) Filed: **Nov. 28, 2016**

(51) **LOC (11) Cl.** **30-04**

(52) **U.S. Cl.**

USPC **D30/139**

(58) **Field of Classification Search**

USPC D30/134-143; D11/216, 218, 234

CPC B68B 1/06; B68B 1/04; B68B 1/02; B68B

5/00; B68B 1/00; A44B 11/24; A44B

11/10; A44B 11/22; A44B 11/005; A44B

11/223; Y10T 24/4033; Y10T 24/4037;

Y10T 24/4065; Y10T 24/4084; Y10T

24/4002; Y10T 24/4019; Y10T 24/40;

Y10T 24/4072; Y10T 24/4079

See application file for complete search history.

(56) **References Cited**

U.S. PATENT DOCUMENTS

2,498,334 A * 2/1950 Garner B68C 1/14

24/165

D293,497 S * 12/1987 Bird D30/134

D419,269 S * 1/2000 Martin D30/139

D523,377 S * 6/2006 Mouquet D11/234

D579,820 S * 11/2008 Brown D11/231

D635,724 S * 4/2011 Micklem D30/136

D637,519 S * 5/2011 Coffman D11/234

D682,736 S * 5/2013 Ng D11/234

D708,549 S * 7/2014 Kao D11/234

D730,772 S * 6/2015 Chang D11/234

* cited by examiner

Primary Examiner — George D. Kirschbaum

Assistant Examiner — Jennifer L. Watkins

(57) **CLAIM**

The ornamental design for a saddle fastening device, as shown and described.

DESCRIPTION

FIG. 1 is a perspective view of a saddle fastening device showing my new design;

FIG. 2 is a front elevational view thereof;

FIG. 3 is a rear elevational view thereof;

FIG. 4 is a left elevational view thereof;

FIG. 5 is a right elevational view thereof;

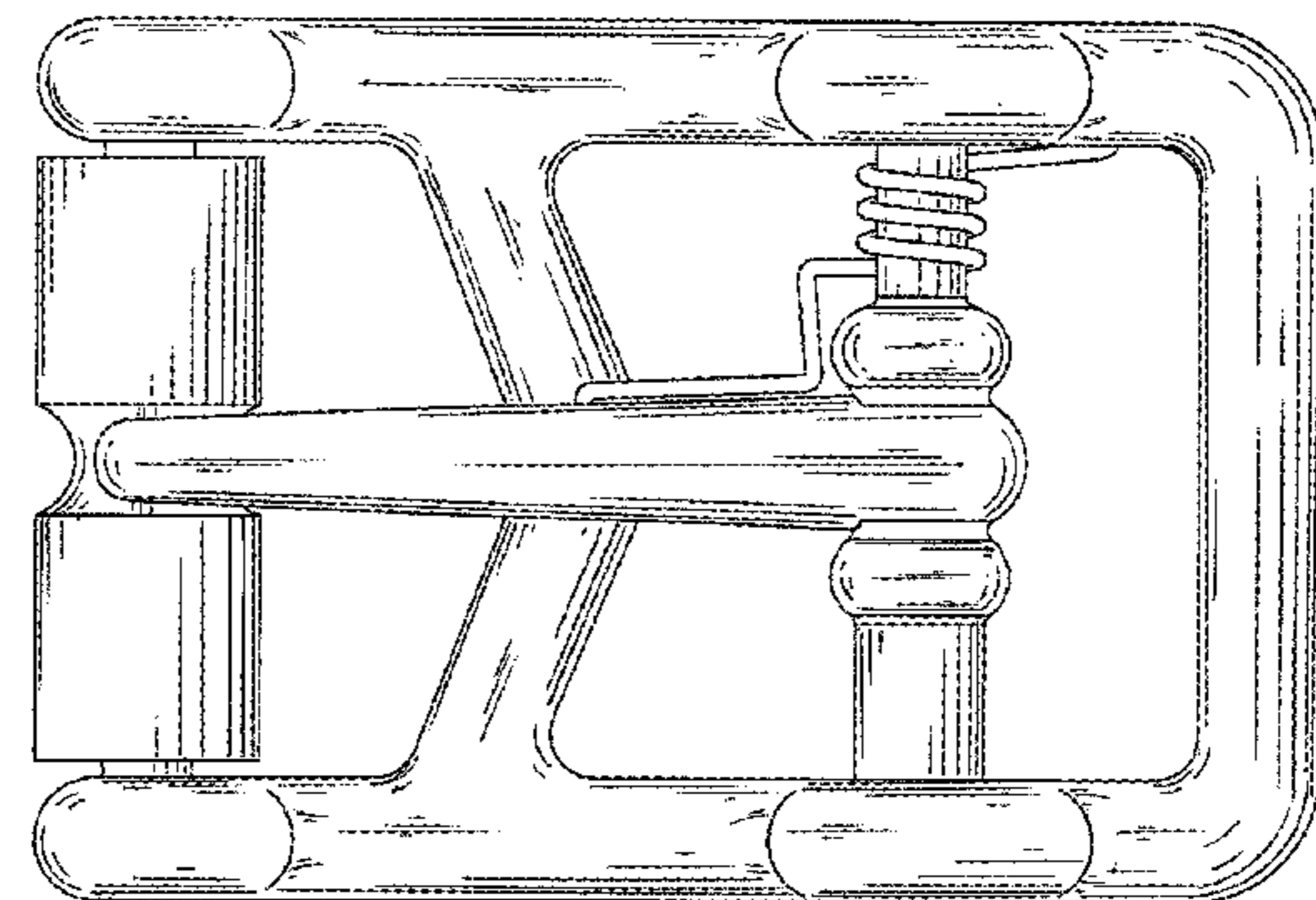
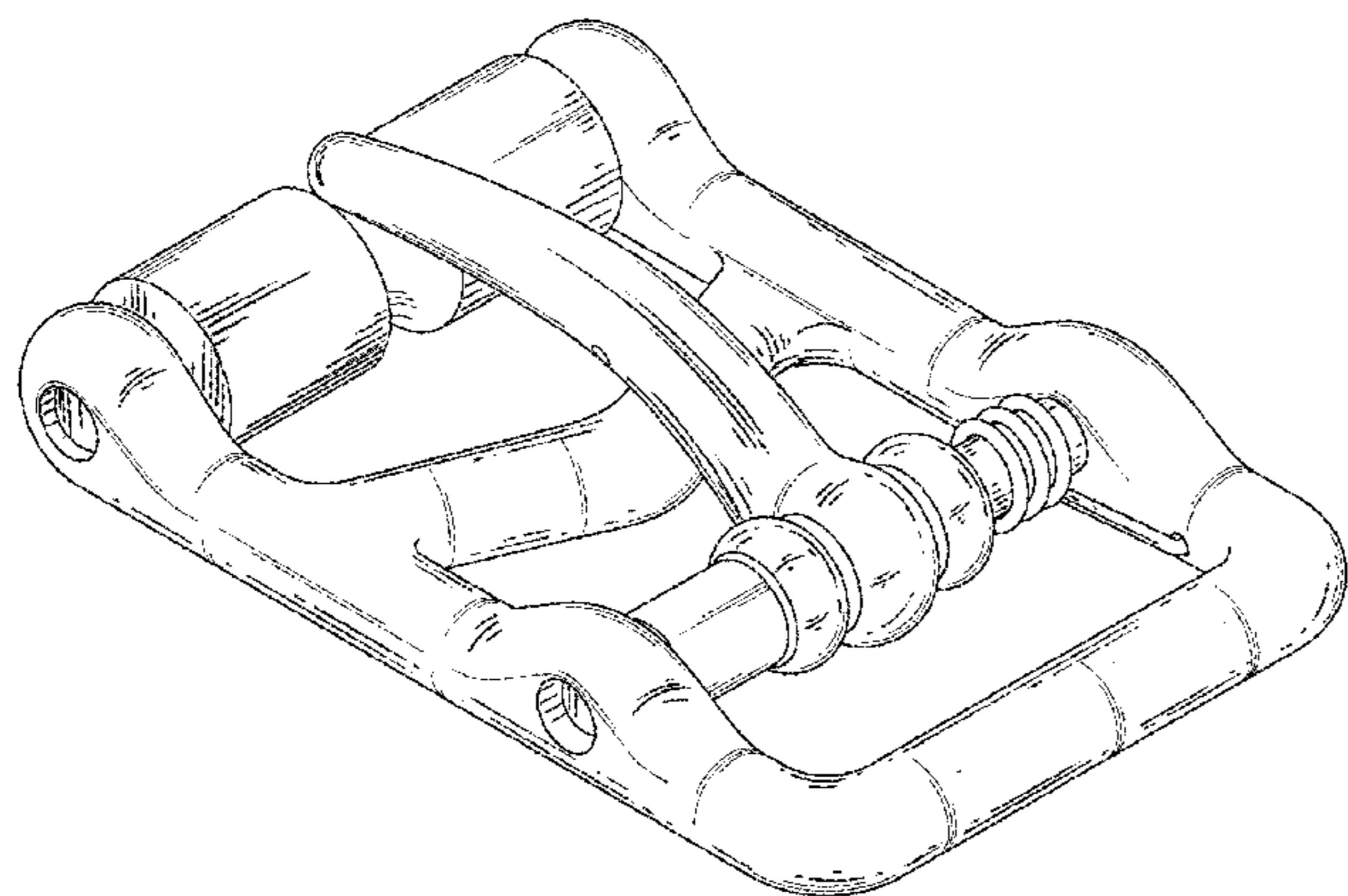
FIG. 6 is a top view thereof;

FIG. 7 is a bottom view thereof; and,

FIG. 8 is a perspective view of the saddle fastening device showing a state of use thereof.

The broken lines in FIG. 8 are for the purpose of depicting environment and form no part of the claim.

1 Claim, 6 Drawing Sheets



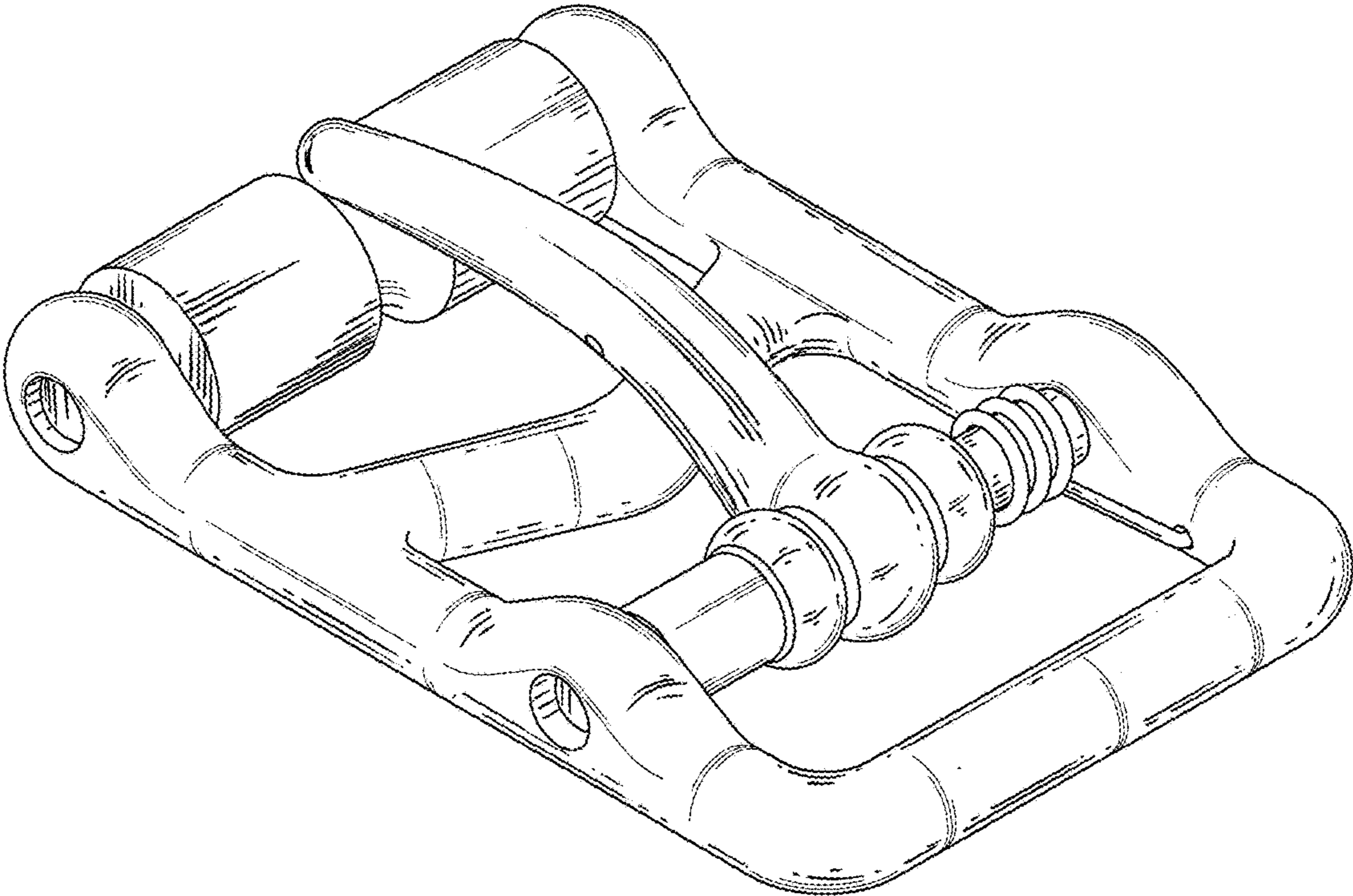


FIG. 1

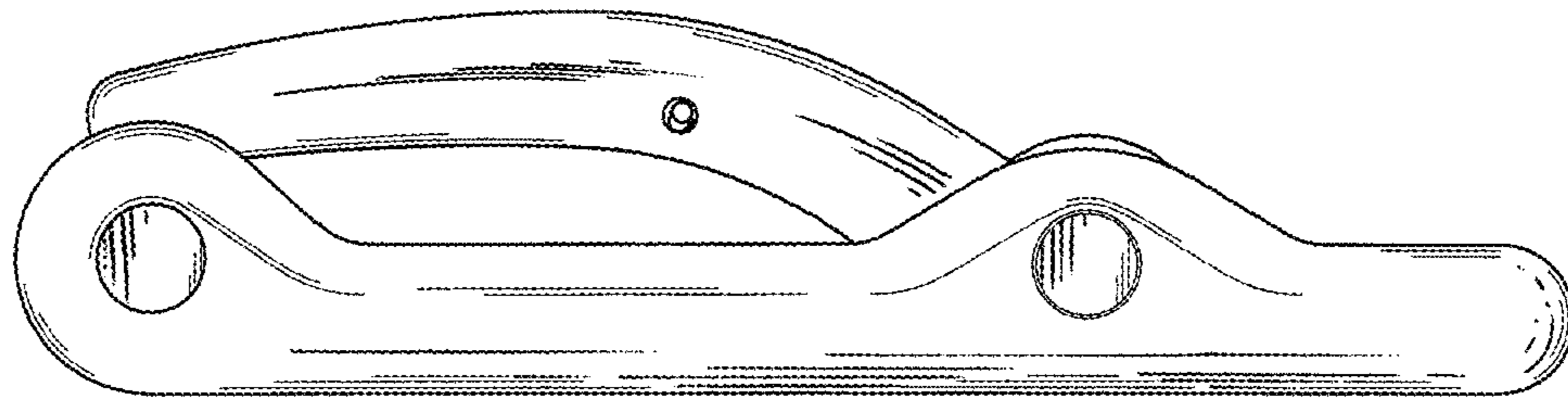


FIG. 2

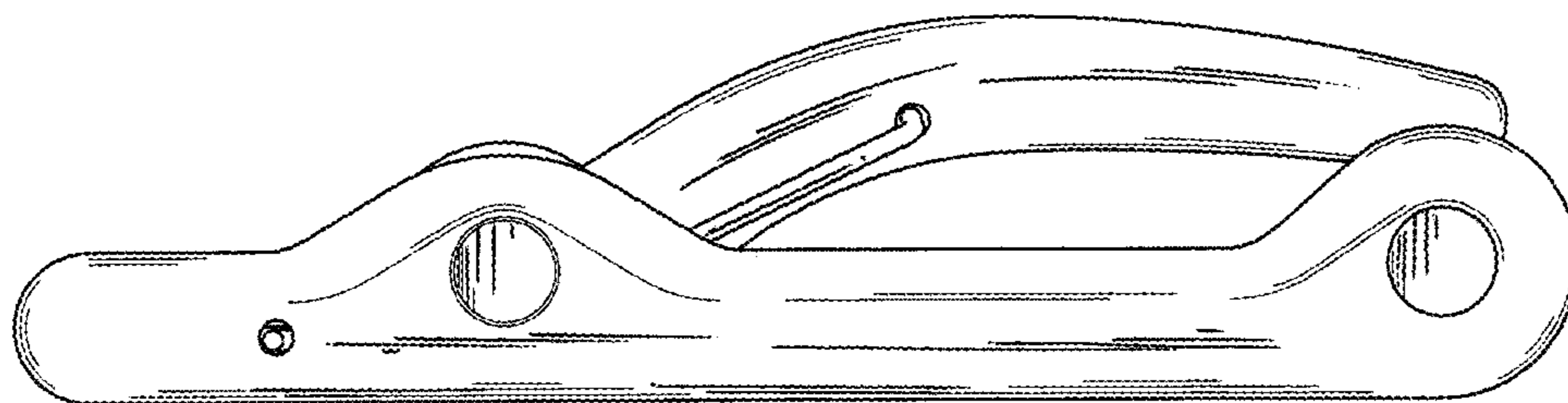


FIG. 3

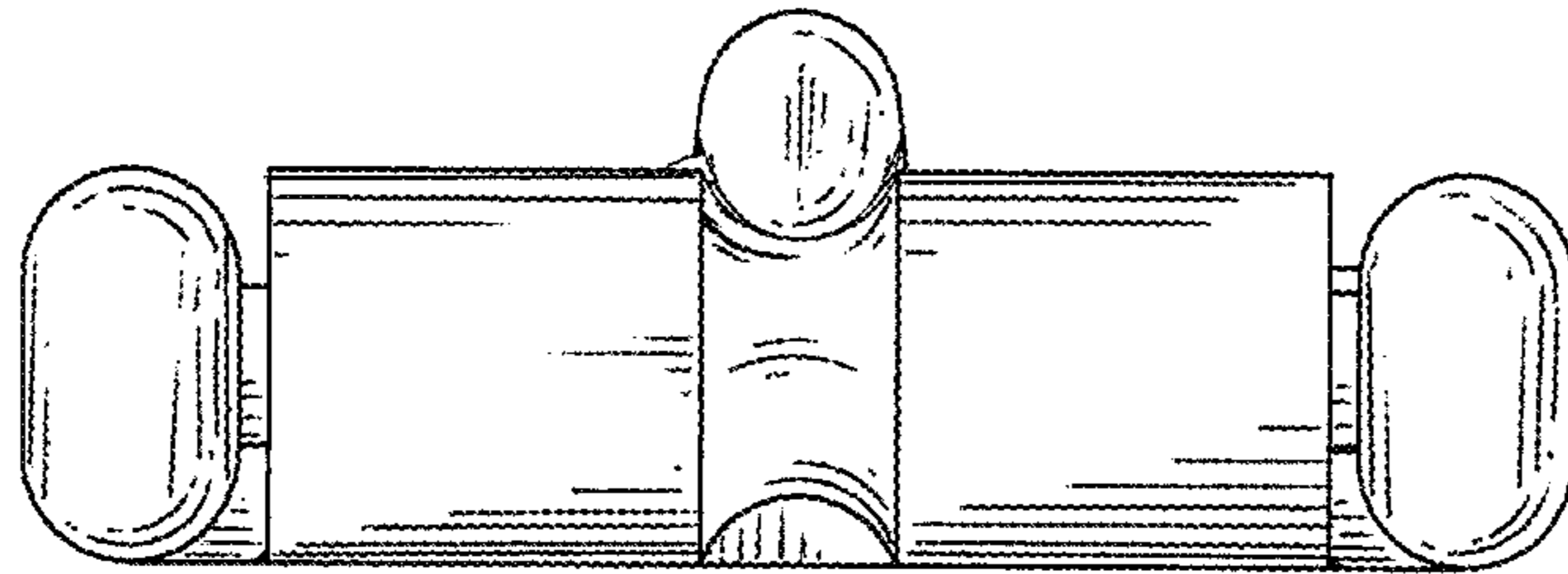


FIG. 4

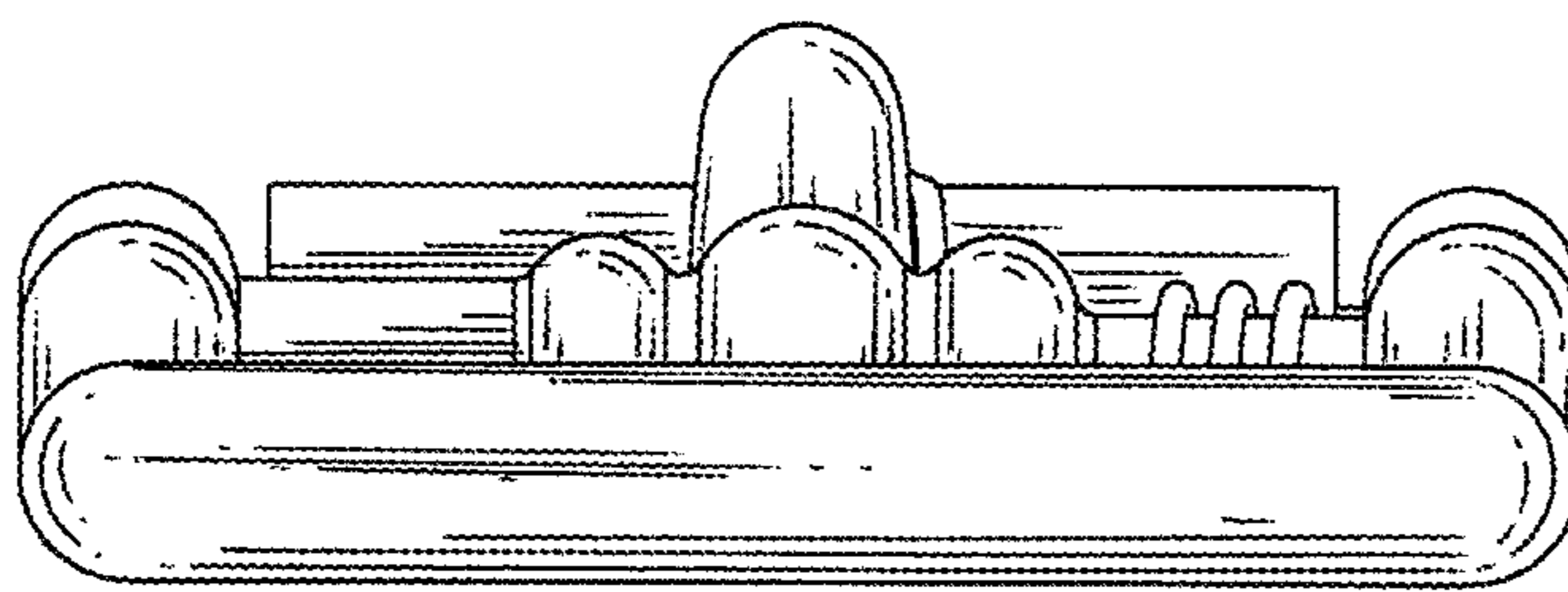


FIG. 5

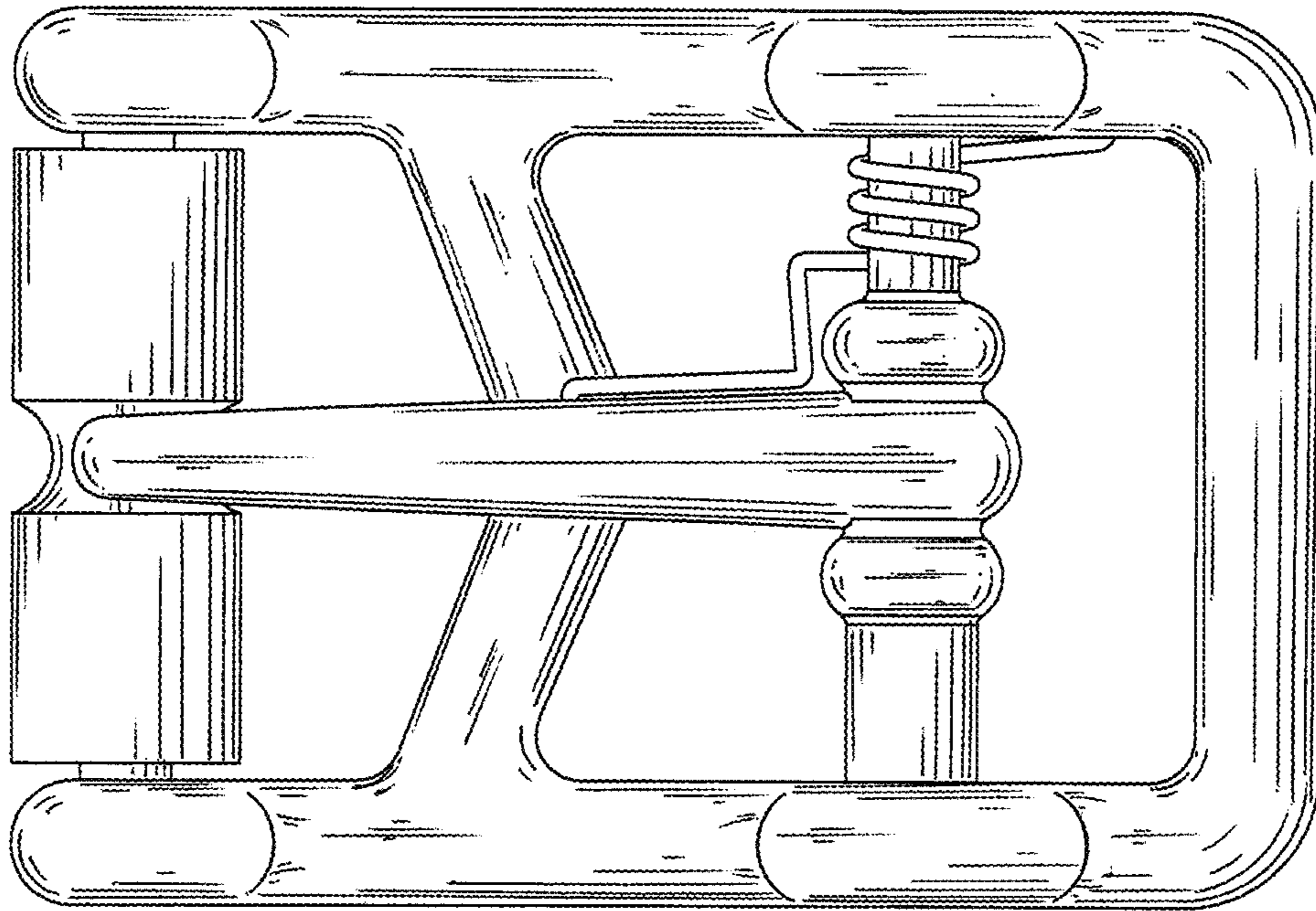


FIG. 6

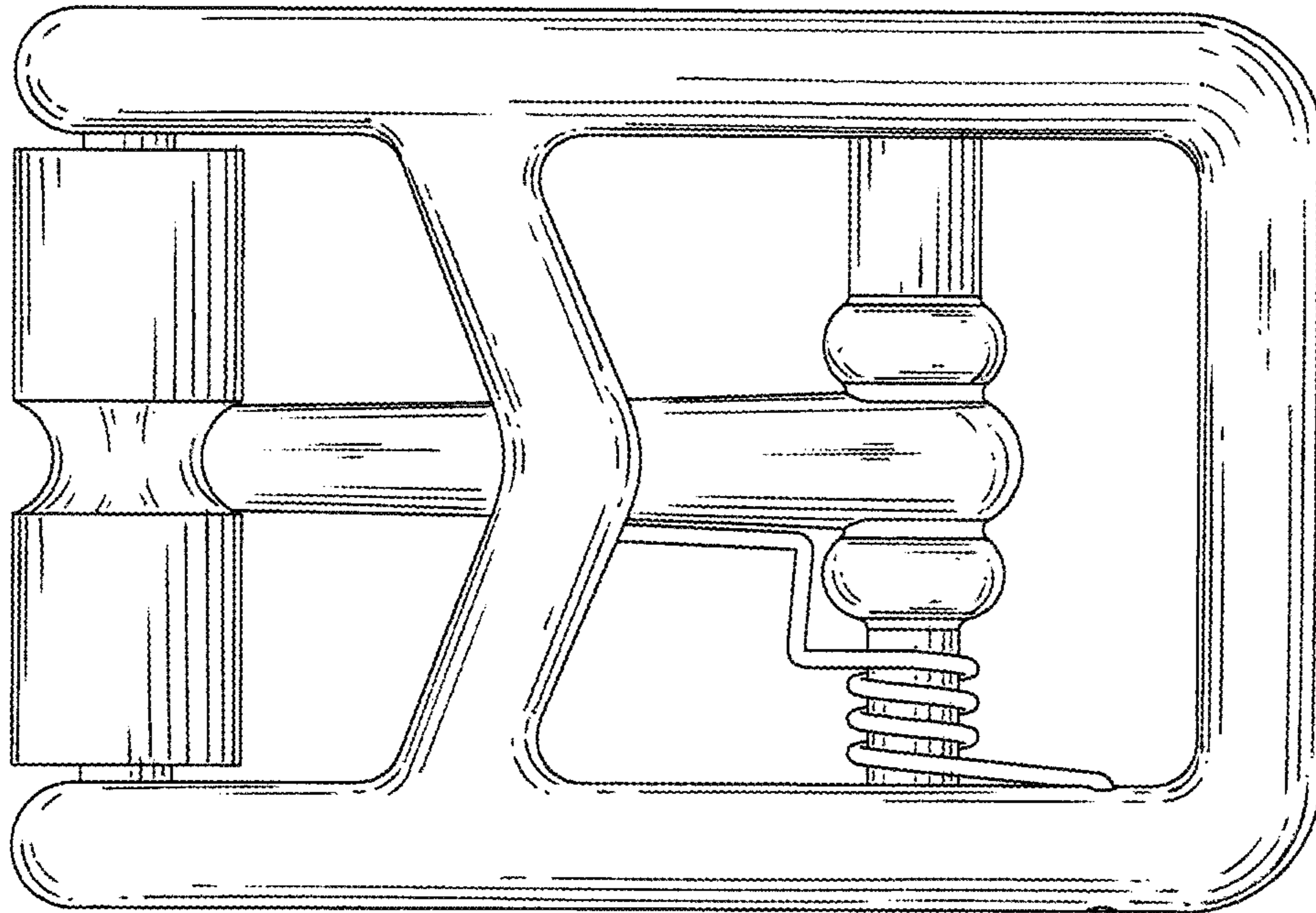


FIG. 7

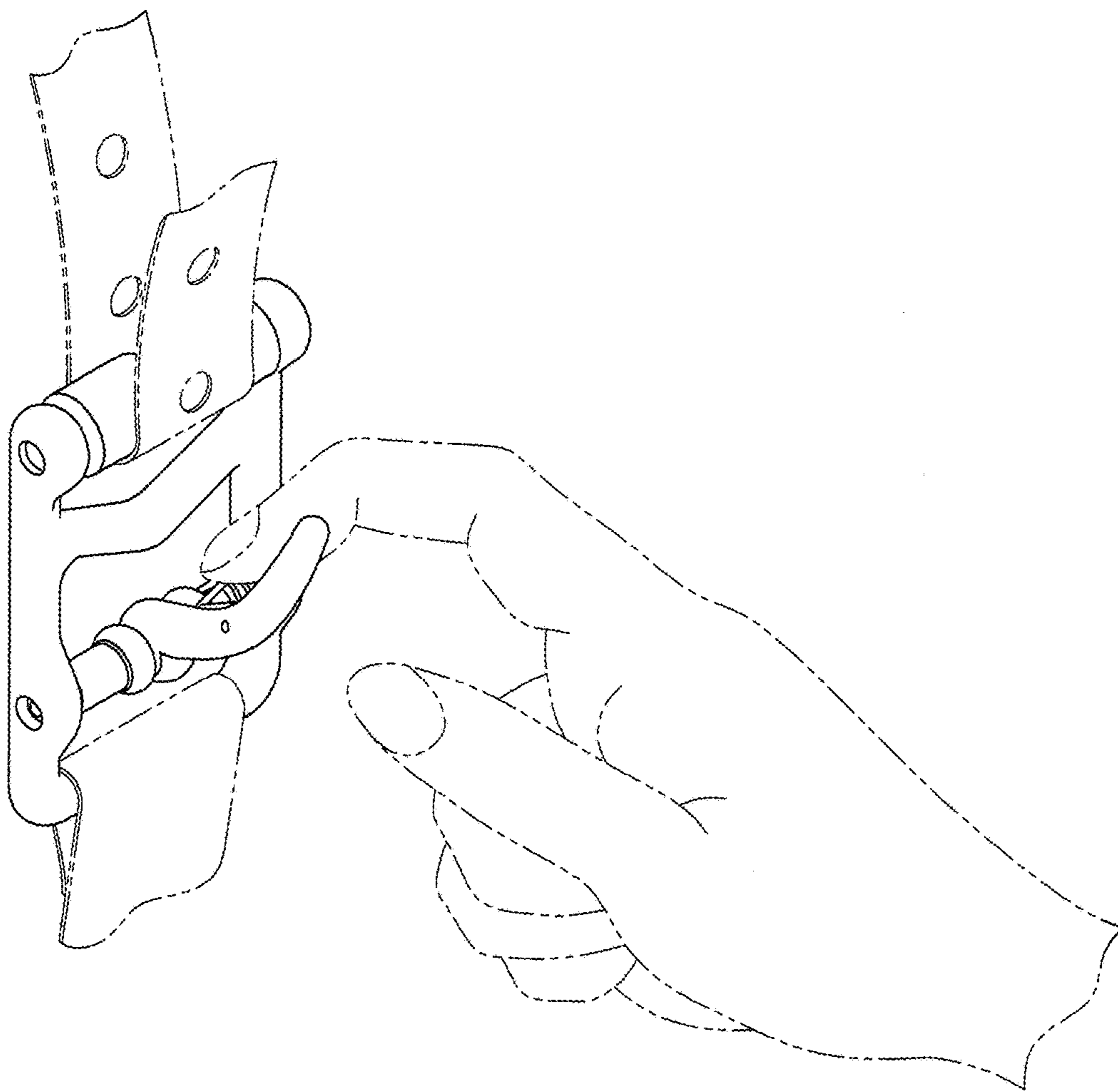


FIG. 8