



US00D827214S

(12) **United States Design Patent**
Cress

(10) **Patent No.:** **US D827,214 S**

(45) **Date of Patent:** **** Aug. 28, 2018**

(54) **QUICK SNAP CURB STRAP**

(71) Applicant: **Deborah A Cress**, Stevensville, MT
(US)

(72) Inventor: **Deborah A Cress**, Stevensville, MT
(US)

(**) Term: **15 Years**

(21) Appl. No.: **29/583,573**

(22) Filed: **Nov. 7, 2016**

(51) **LOC (11) Cl.** **30-04**

(52) **U.S. Cl.**
USPC **D30/136**

(58) **Field of Classification Search**
USPC D30/134–143
CPC B68B 1/06; B68B 1/04; B68B 1/02; B68B
5/00; B68B 1/00
See application file for complete search history.

(56) **References Cited**

U.S. PATENT DOCUMENTS

- 1,352,812 A * 9/1920 Johnson B68B 5/00
54/74
- 4,953,345 A * 9/1990 Boone B68B 1/04
54/13
- 6,151,872 A * 11/2000 Rasmussen B68B 1/04
54/16

- 6,705,064 B1 * 3/2004 Grissom B68B 1/06
54/6.1
- D515,249 S * 2/2006 Mailer D30/141
- D635,724 S * 4/2011 Micklem D30/136

* cited by examiner

Primary Examiner — George D. Kirschbaum

Assistant Examiner — Jennifer L. Watkins

(74) *Attorney, Agent, or Firm* — Gary Schnittgrund; Law
Offices of Gary Schnittgrund

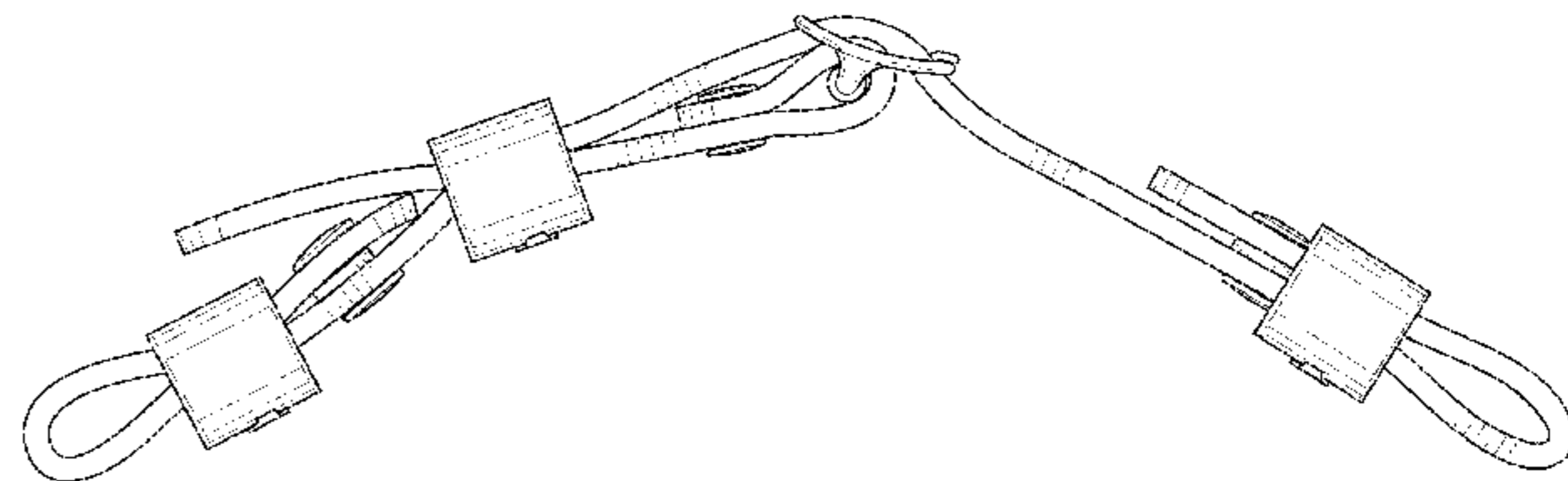
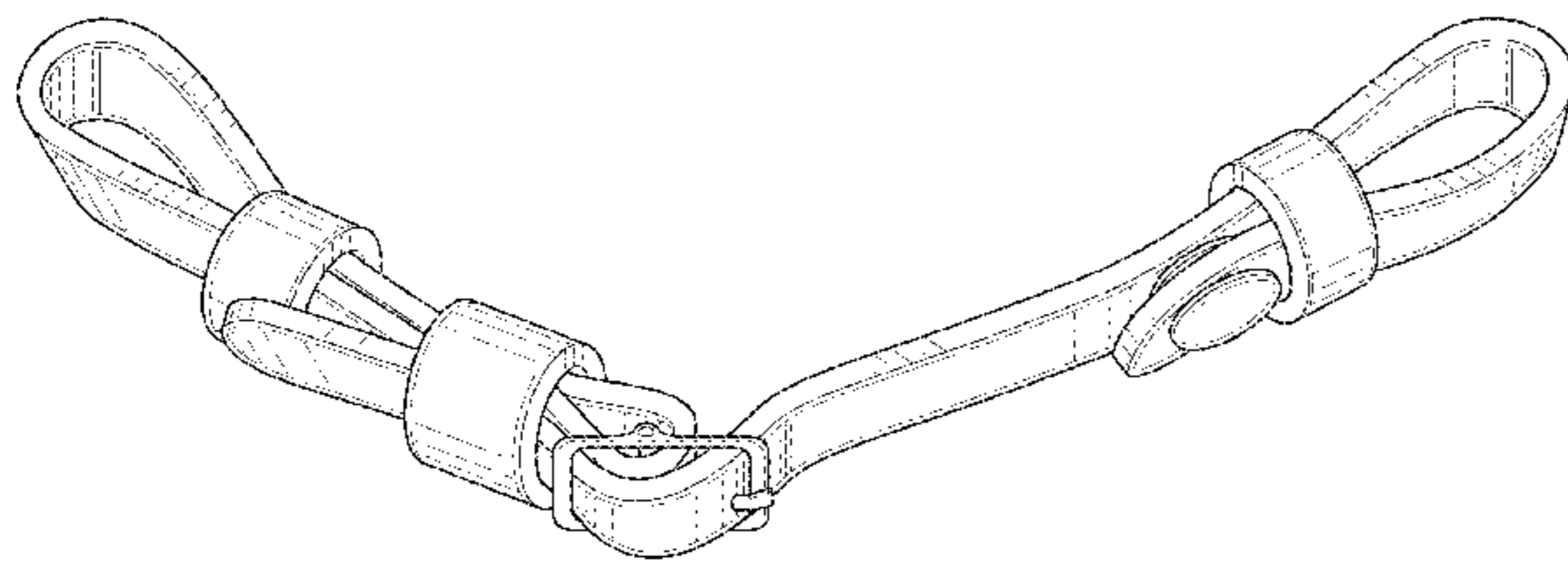
(57) **CLAIM**

The ornamental design for a quick snap curb strap, as shown
and described.

DESCRIPTION

FIG. 1 is a front side perspective view of the quick snap curb strap showing my new design;
 FIG. 2 is a front side plan view thereof;
 FIG. 3 is a back plan view thereof;
 FIG. 4 is a bottom side elevational view thereof;
 FIG. 5 is a top side elevational view thereof;
 FIG. 6 is a right end view thereof;
 FIG. 7 is a left end view thereof; and,
 FIG. 8 is a perspective view showing the device during use. The broken lines showing a horse in FIG. 8 are for the purpose of depicting environment and form no part of the claim.

1 Claim, 5 Drawing Sheets



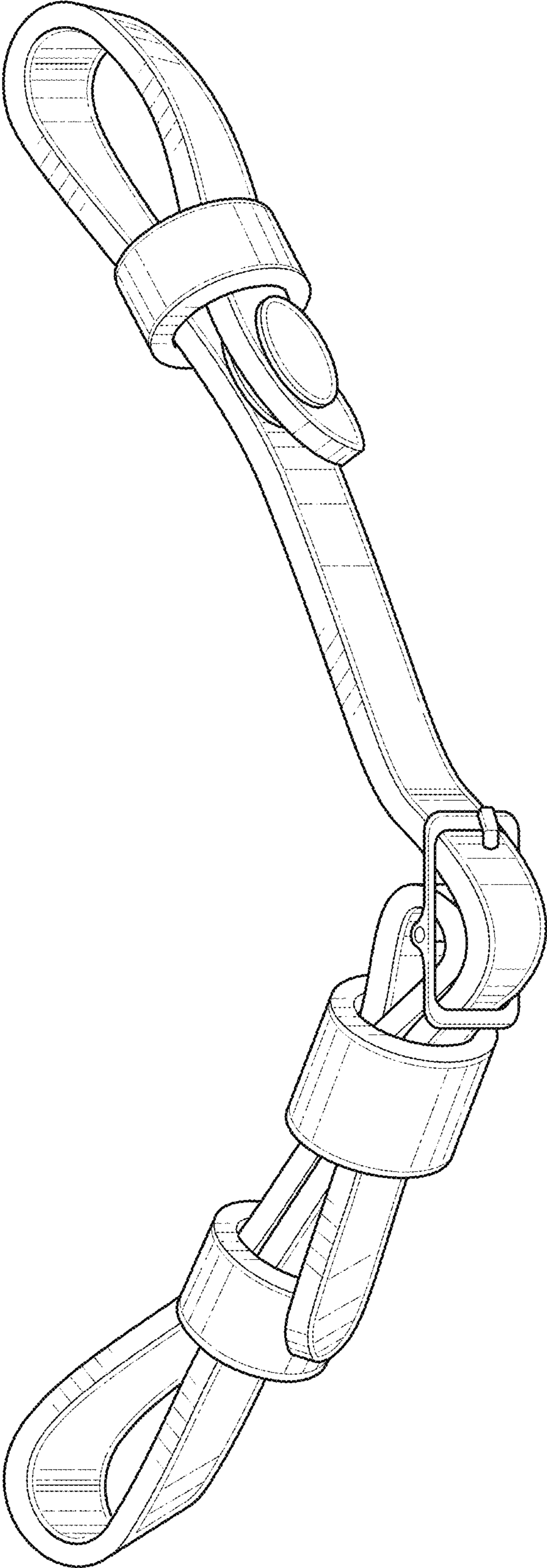


FIG. 1

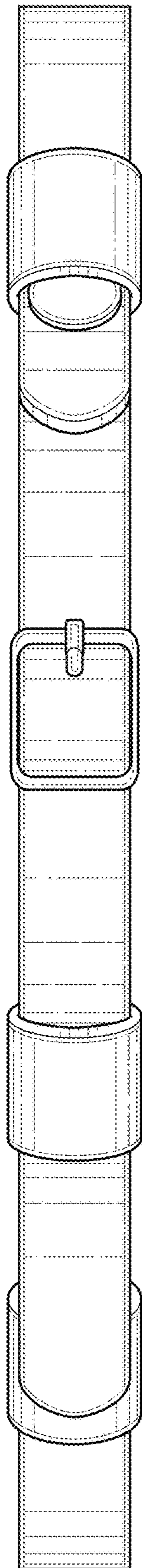


FIG. 2

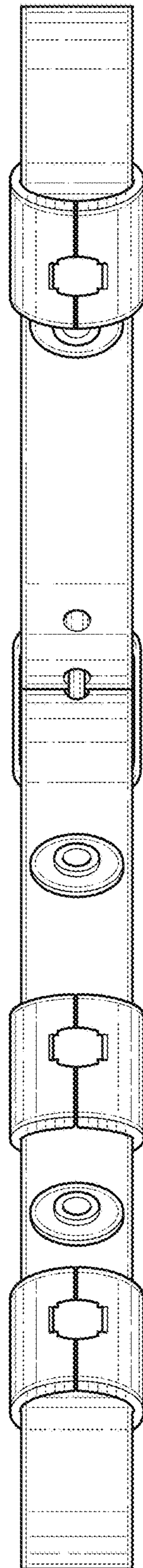


FIG. 3

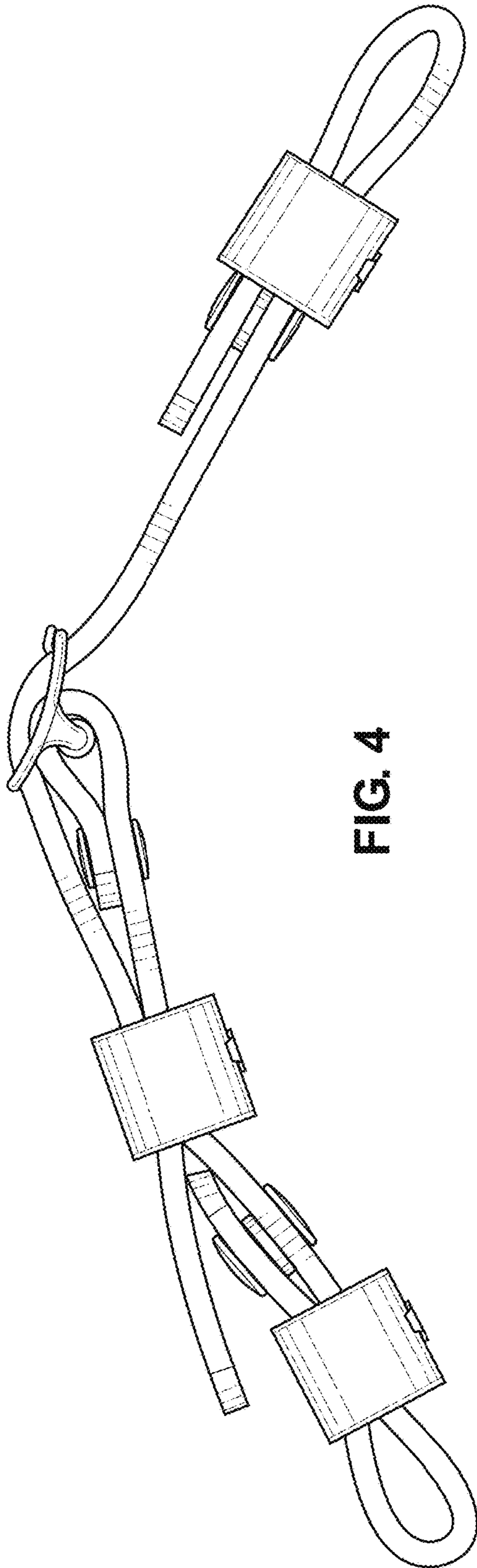


FIG. 4

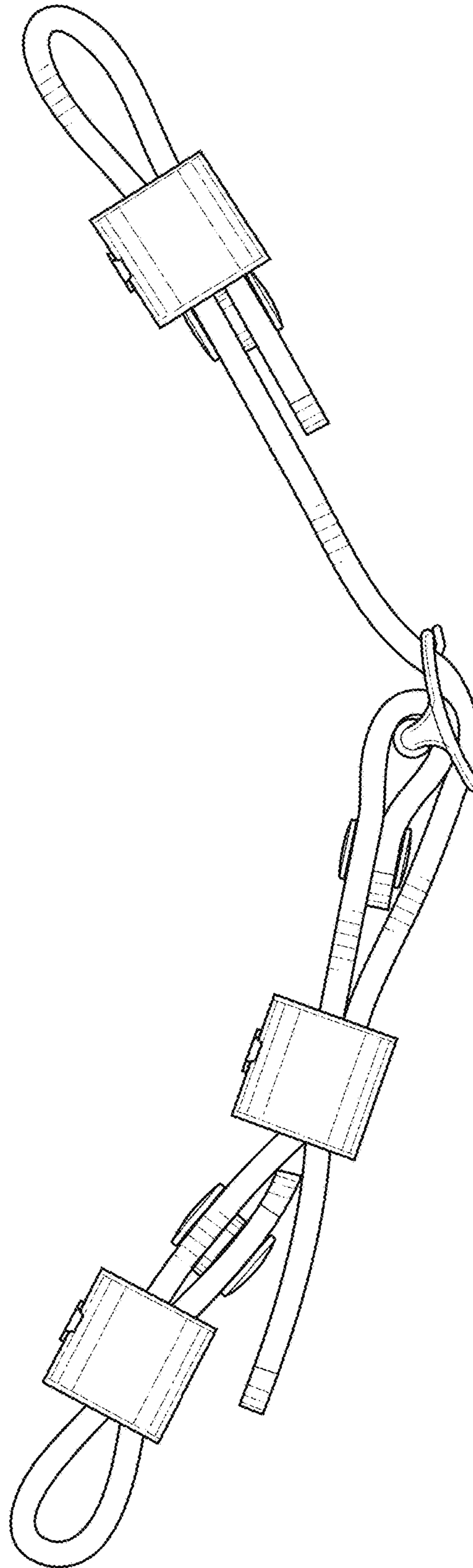


FIG. 5

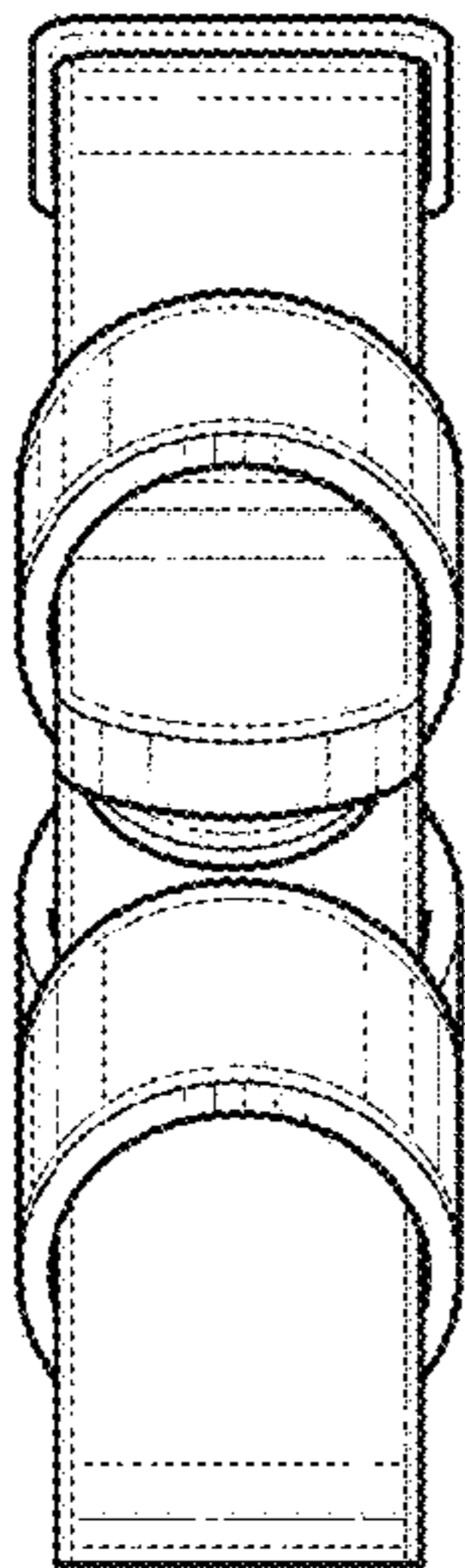


FIG. 6

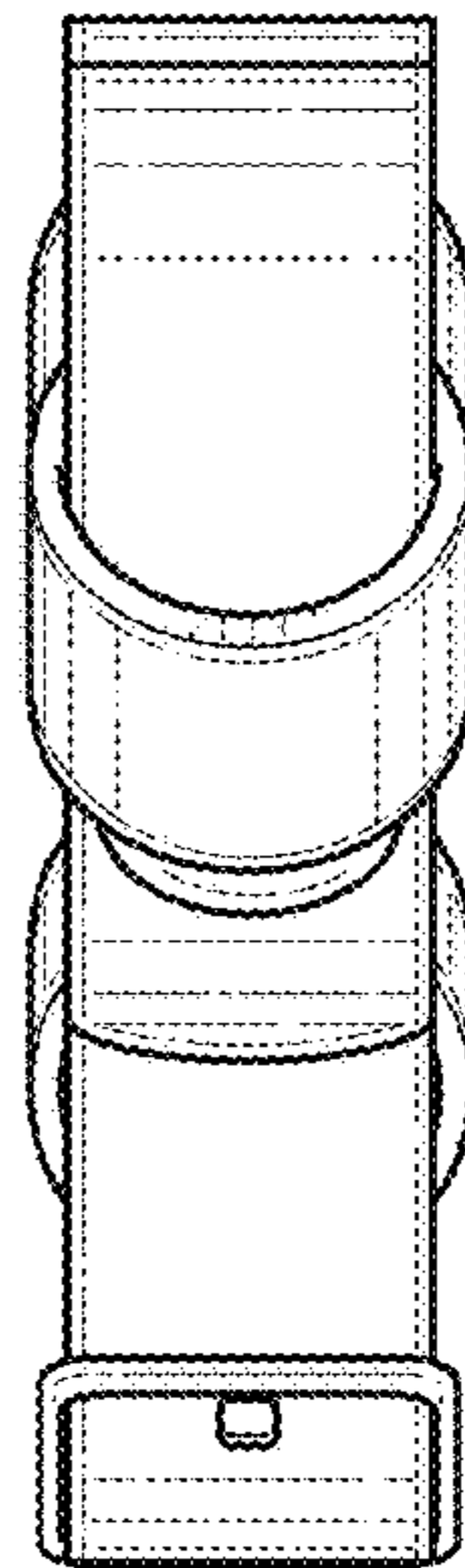


FIG. 7

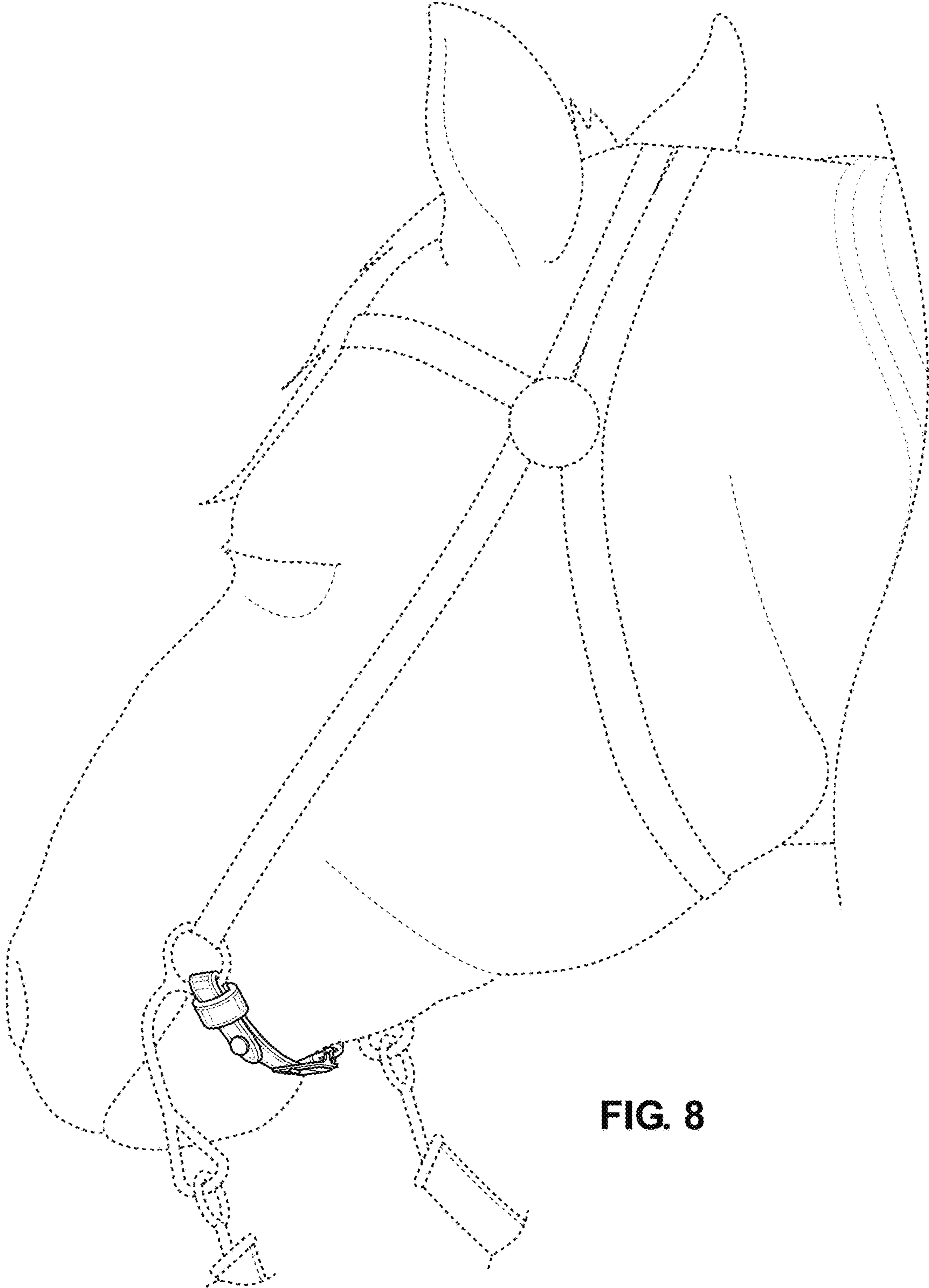


FIG. 8