



US00D827211S

(12) **United States Design Patent**
Cronkhite

(10) **Patent No.:** **US D827,211 S**

(45) **Date of Patent:** **** Aug. 28, 2018**

- (54) **FRAMED KENNEL DOOR**
- (71) Applicant: **Good Ideas, Inc.**, Erie, PA (US)
- (72) Inventor: **Greg Cronkhite**, Draper, SD (US)
- (73) Assignee: **Good Ideas, Inc.**, Erie, PA (US)
- (**) Term: **15 Years**
- (21) Appl. No.: **29/604,113**
- (22) Filed: **May 15, 2017**
- (51) **LOC (11) Cl.** **30-02**
- (52) **U.S. Cl.**
USPC **D30/119**
- (58) **Field of Classification Search**
USPC D30/108, 109, 113, 114, 116, 118, 119,
D30/120; D25/48.1, 48.3
CPC A01K 1/0017; A01K 1/0245
See application file for complete search history.

(56) **References Cited**

U.S. PATENT DOCUMENTS

D294,985 S *	3/1988	Blieden	D30/109
4,852,520 A *	8/1989	Goetz	A01K 1/0245 119/497
D308,588 S *	6/1990	Goetz	D30/109
D312,333 S *	11/1990	Van Skiver	D30/109
D314,251 S *	1/1991	Van Skiver	D30/109
D351,688 S *	10/1994	Northrop	D25/48.8
D367,734 S *	3/1996	Sharp	D30/119
6,427,631 B1 *	8/2002	Ross	A01K 1/0245 119/453
8,132,537 B2 *	3/2012	Trunnell	A01K 1/0245 119/496
8,544,417 B2 *	10/2013	Sangl	A01K 1/0245 119/455
D778,510 S *	2/2017	Edmonds	D30/119
2009/0223461 A1 *	9/2009	Trunnell	A01K 1/0245 119/472

2011/0220033 A1 *	9/2011	Sangl	A01K 1/0245 119/455
2013/0228135 A1 *	9/2013	Prescott	A01K 1/033 119/455
2014/0083366 A1 *	3/2014	Veness	A01K 1/0236 119/482

OTHER PUBLICATIONS

“Dakota 283 (1).” Found online Apr. 13, 2018 at www.facebook.com. Image dated Oct. 11, 2017. Retrieved from URL: <https://www.facebook.com/Dakota283/photos/a.1562981323917232.1073741828.1541247506090614/1969029709979056/?type=3&theater> (Year: 2017).*

(Continued)

Primary Examiner — Charles Garth Rademaker
Assistant Examiner — Katelin G Kloberg
(74) *Attorney, Agent, or Firm* — Jonathan M. D’Silva;
MMI Intellectual Property

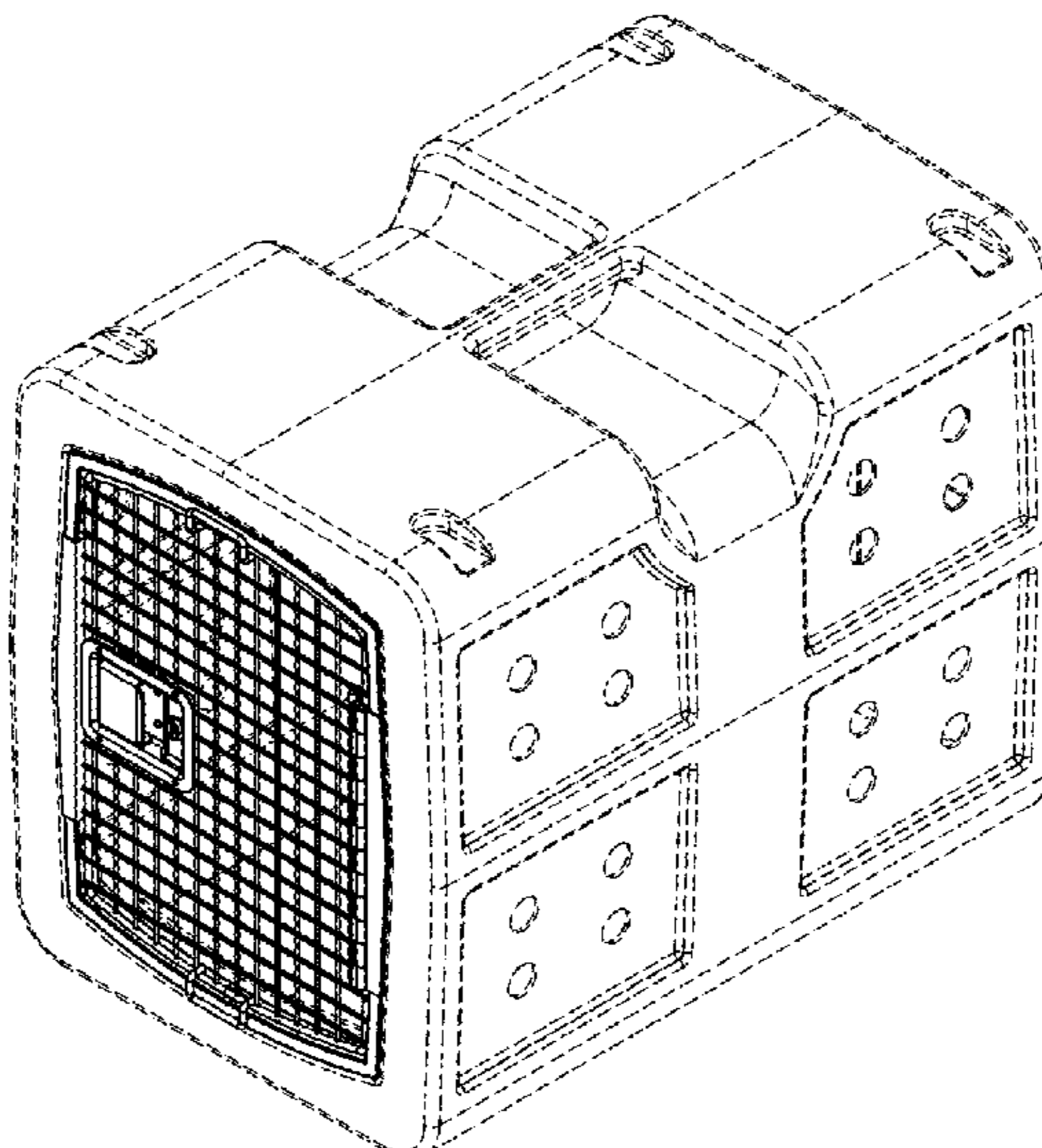
(57) **CLAIM**

The ornamental design for a framed kennel door, as shown and described.

DESCRIPTION

FIG. 1 is a perspective view of a framed kennel door, showing my new design within an environment of use; FIG. 2 is a perspective view of the framed kennel door; FIG. 3 is a top view thereof; FIG. 4 is a left side view thereof; FIG. 5 is a right side view thereof; FIG. 6 is a bottom view thereof; FIG. 7 is a front view thereof; and, FIG. 8 is a rear view thereof. The broken lines shown in FIG. 1 represents a kennel onto which the article may be installed that forms no part of the claimed design.

1 Claim, 3 Drawing Sheets



(56)

References Cited

OTHER PUBLICATIONS

“Dakota 283 (2).” Found online Apr. 13, 2018 at www.facebook.com. Image dated Feb. 26, 2018. Retrieved from URL: <https://www.facebook.com/Dakota283/photos/a.1562981323917232.1073741828.1541247506090614/2034279306787429/?type=3>

&theater (Year: 2018).*

“Ruff Tough Kennels, Choosing a Size.” Found online Apr. 13, 2018 at www.youtube.com. Page dated Aug. 9, 2010. Retrieved from URL: <https://www.youtube.com/watch?v=6iicVExEb6k> (Year: 2010).*

* cited by examiner

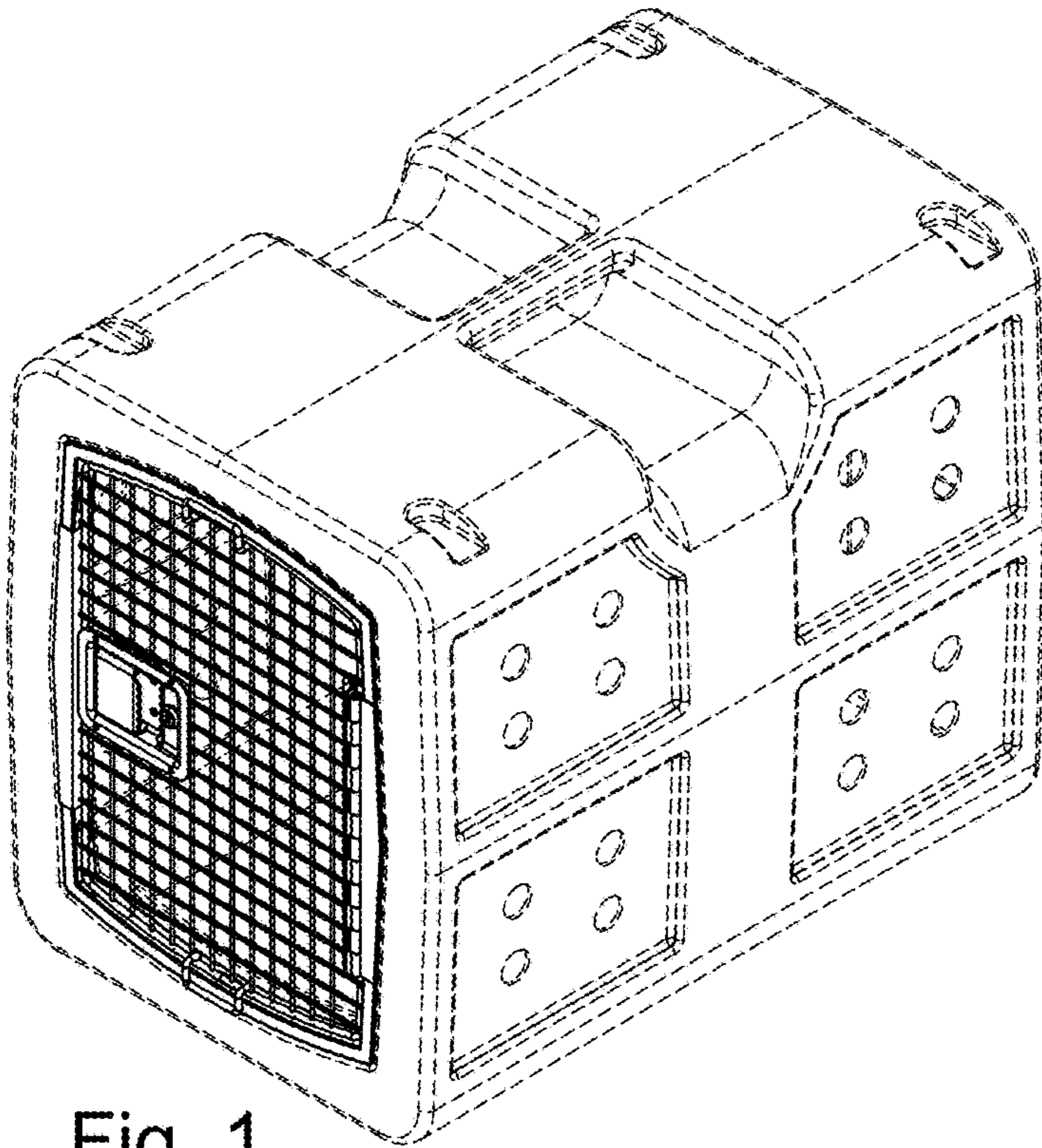


Fig. 1

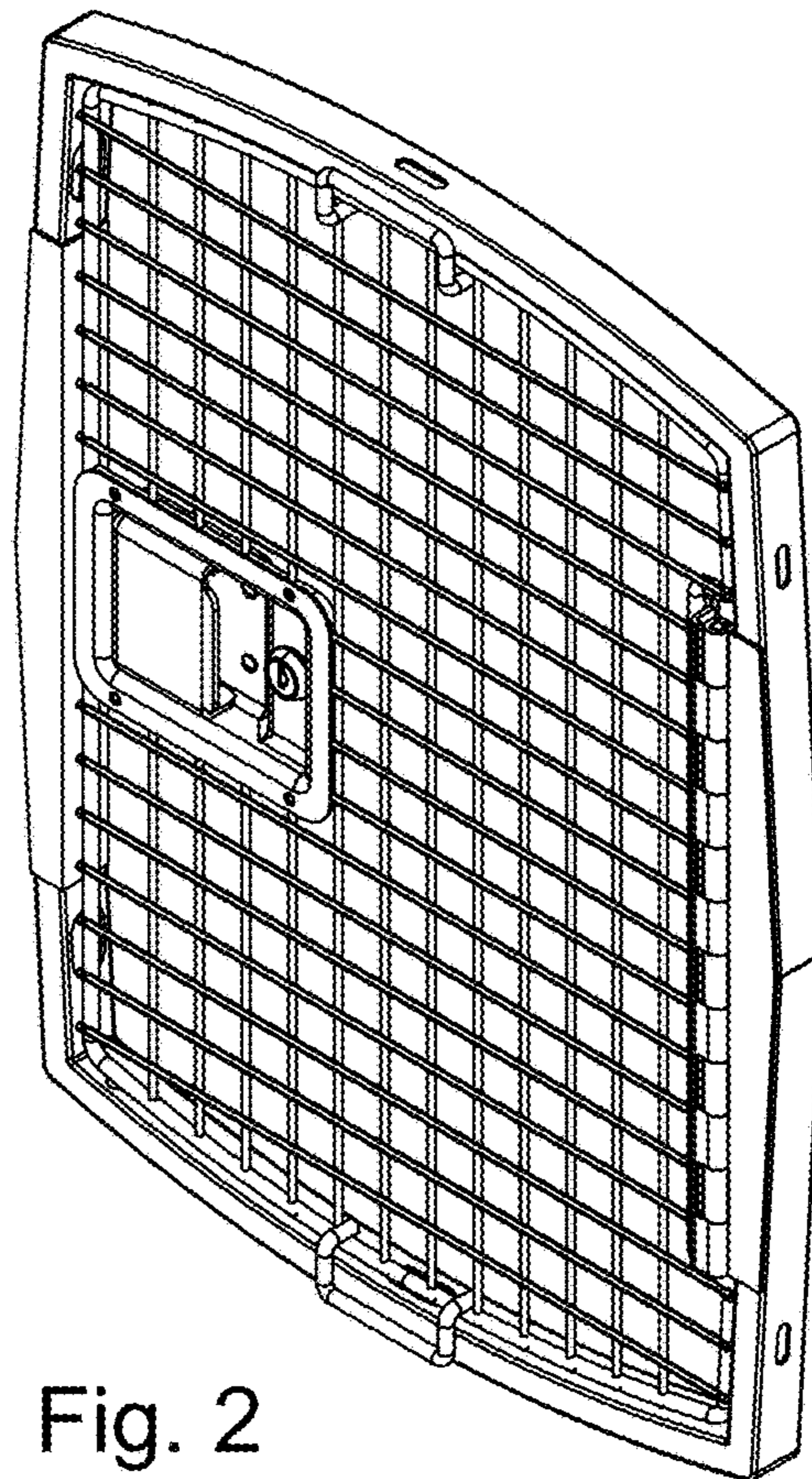


Fig. 2

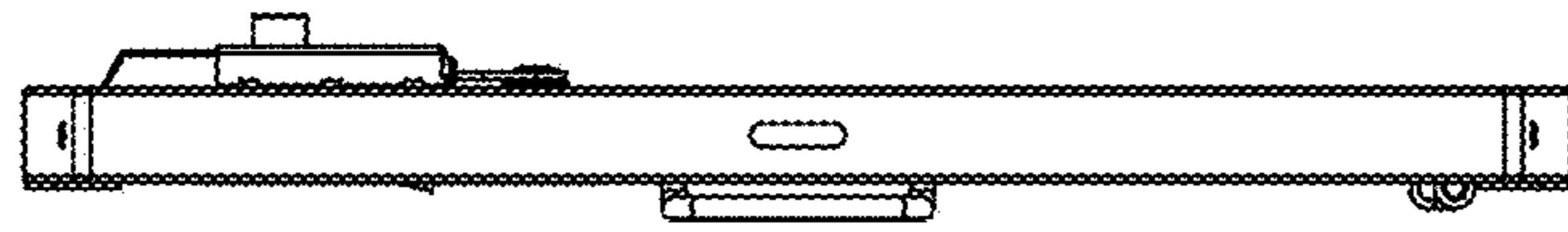


Fig. 3

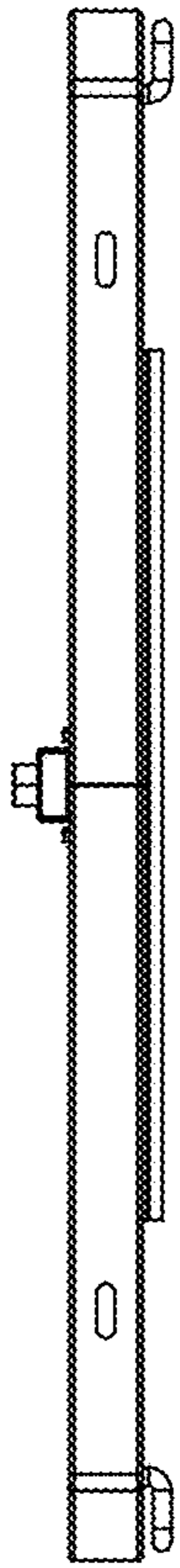


Fig. 4

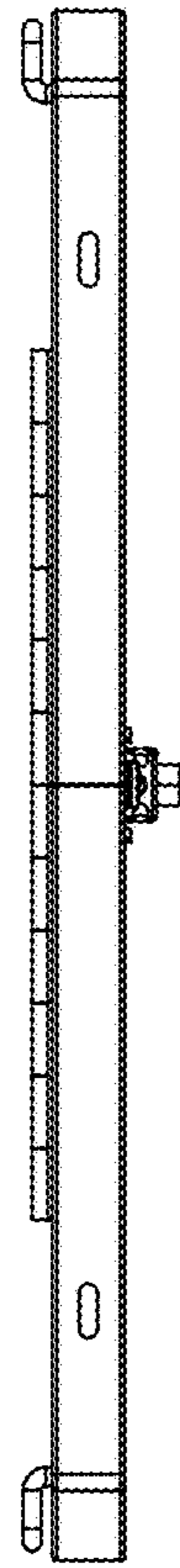


Fig. 5

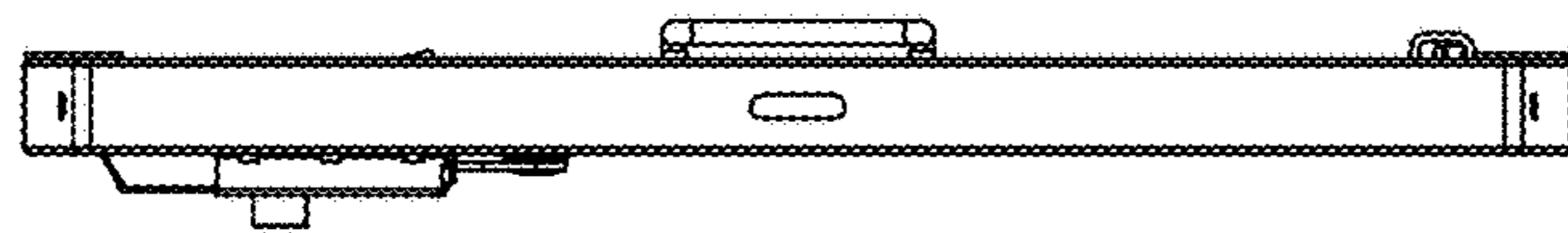


Fig. 6

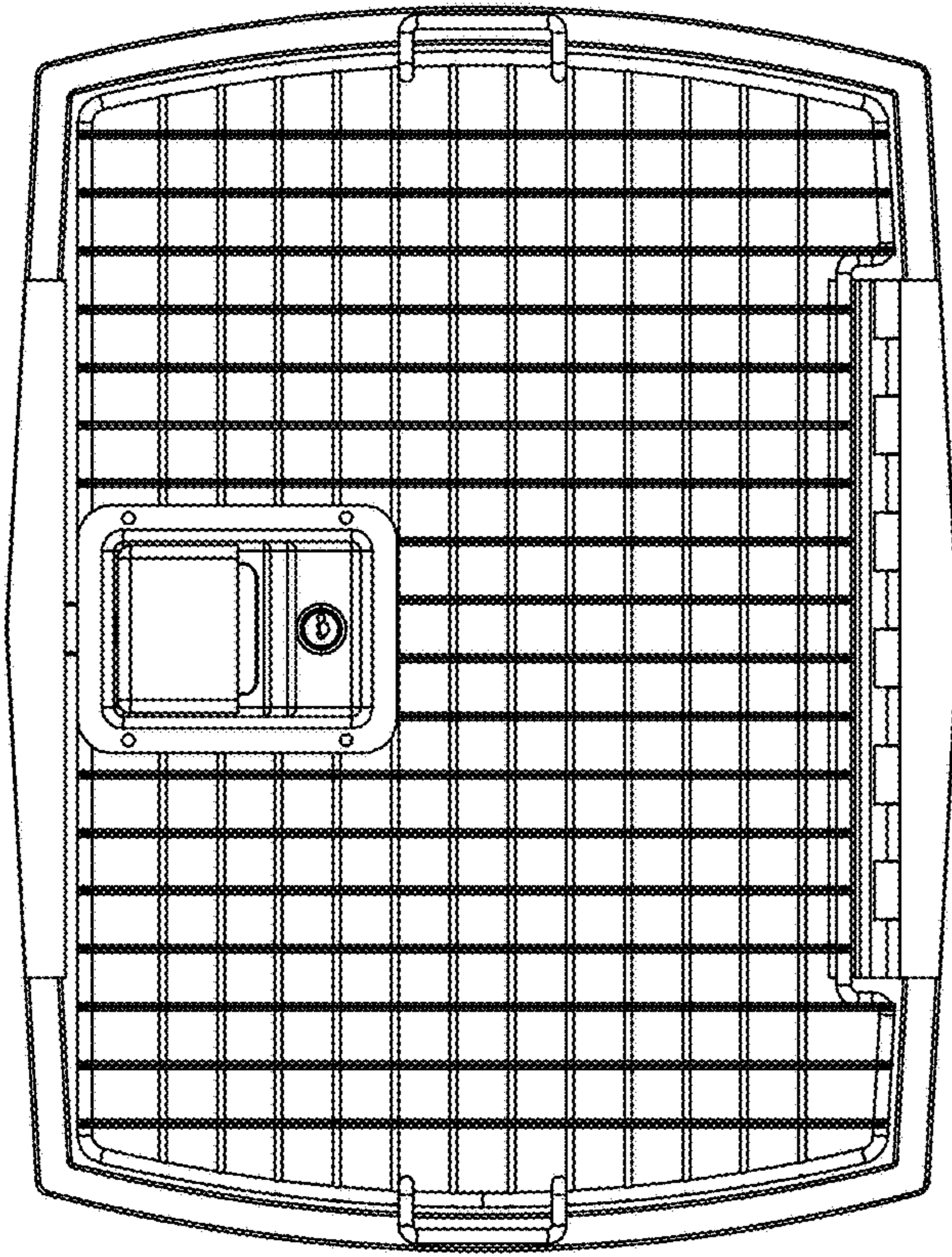


Fig. 7

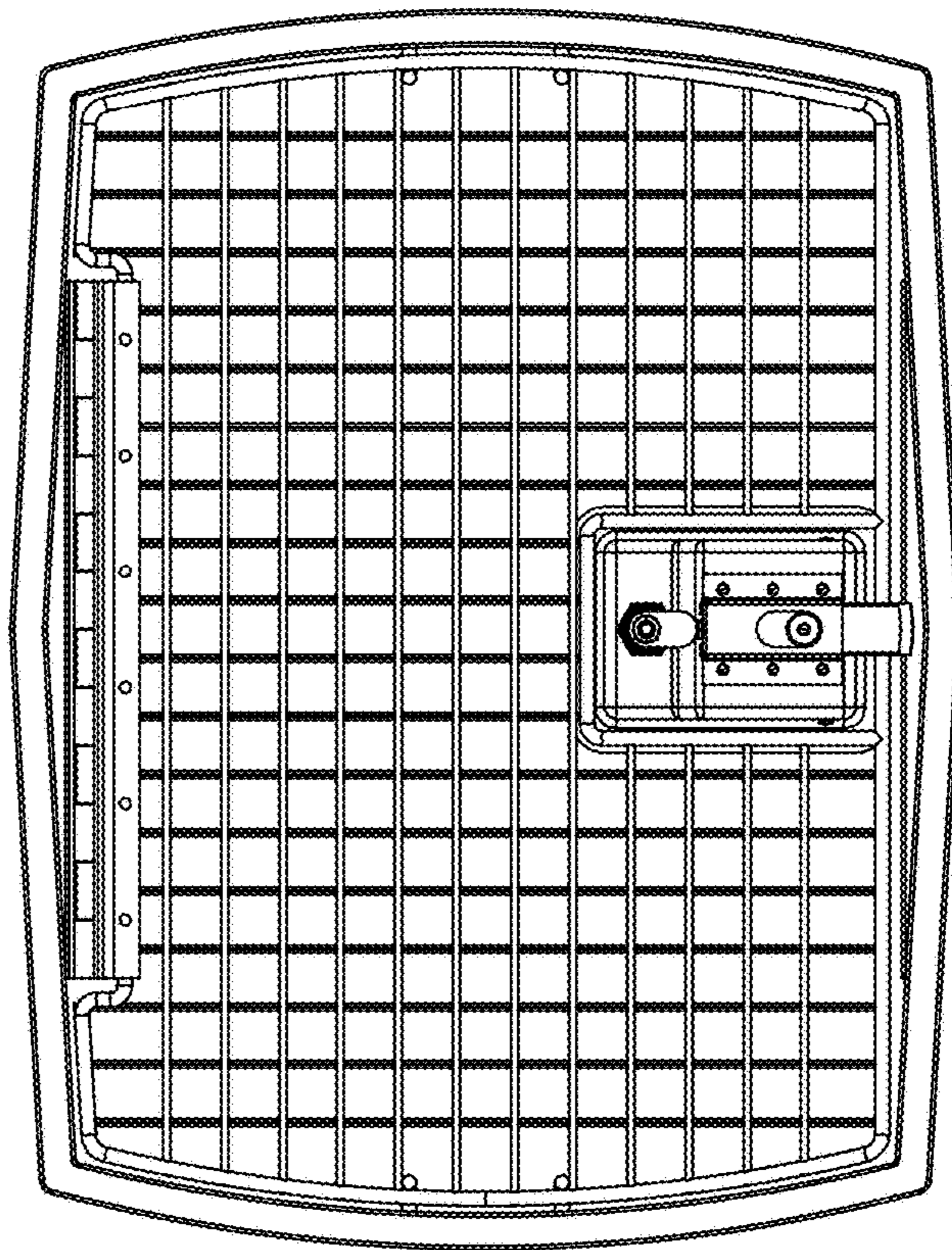


Fig. 8