



US00D827209S

(12) **United States Design Patent** (10) **Patent No.:** **US D827,209 S**  
**Kellogg et al.** (45) **Date of Patent:** **\*\* Aug. 28, 2018**

- (54) **COLLAPSIBLE KENNEL**
- (71) Applicant: **SportPet Designs, Inc.**, Waukesha, WI (US)
- (72) Inventors: **Adam M. Kellogg**, Oconomowoc, WI (US); **Kelly C. Kellogg**, Oconomowoc, WI (US)
- (73) Assignee: **SportPet Designs, Inc.**, Waukesha, WI (US)
- (\*\*) Term: **14 Years**
- (21) Appl. No.: **29/514,370**
- (22) Filed: **Jan. 12, 2015**

6,997,138	B1	2/2006	Simpson	
7,044,083	B2	5/2006	Farmer et al.	
D546,005	S *	7/2007	Harper	D30/108
D571,054	S	6/2008	Donnelly	
D608,954	S *	1/2010	Tharp	D30/109
7,703,416	B2	4/2010	Farmer et al.	
D615,251	S *	5/2010	Scherbing	D30/109
7,721,678	B2	5/2010	Jakubowski et al.	
7,789,044	B2	9/2010	McGrade	
7,802,540	B2 *	9/2010	Jakubowski	A01K 1/0254 119/497
8,127,719	B2	3/2012	Jakubowski et al.	
D671,691	S *	11/2012	Neilan	D30/108
D717,005	S *	11/2014	Skaggs	D30/108
2005/0229866	A1	10/2005	Simpson	
2006/0150917	A1	7/2006	Morton et al.	
2006/0174841	A1	8/2006	Axelrod	

(Continued)

**Related U.S. Application Data**

- (63) Continuation of application No. 29/456,233, filed on May 29, 2013, now abandoned.
- (51) **LOC (11) Cl.** ..... **30-02**
- (52) **U.S. Cl.**  
USPC ..... **D30/108; D30/119**
- (58) **Field of Classification Search**  
USPC ..... D30/108, 112-117, 119  
CPC ..... A01K 1/03; A01K 1/031; A01K 1/0245;  
A01K 1/0254; A01K 1/0356; A01K  
31/08; A01K 31/18; A01K 31/007  
See application file for complete search history.

**References Cited**

**U.S. PATENT DOCUMENTS**

1,108,615	A	8/1914	Paul	
4,852,520	A *	8/1989	Goetz	A01K 1/0245 119/497
5,669,331	A *	9/1997	Richmond	A01K 1/0245 119/497
6,427,631	B1 *	8/2002	Ross	A01K 1/0245 119/453
D512,799	S	12/2005	Simpson	

**OTHER PUBLICATIONS**

USPTO Office Action dated Aug. 16, 2017 regarding U.S. Appl. No. 14/018,566, 11 pages.

*Primary Examiner* — Cathy Anne MacCormac  
(74) *Attorney, Agent, or Firm* — Michael Best & Friedrich LLP

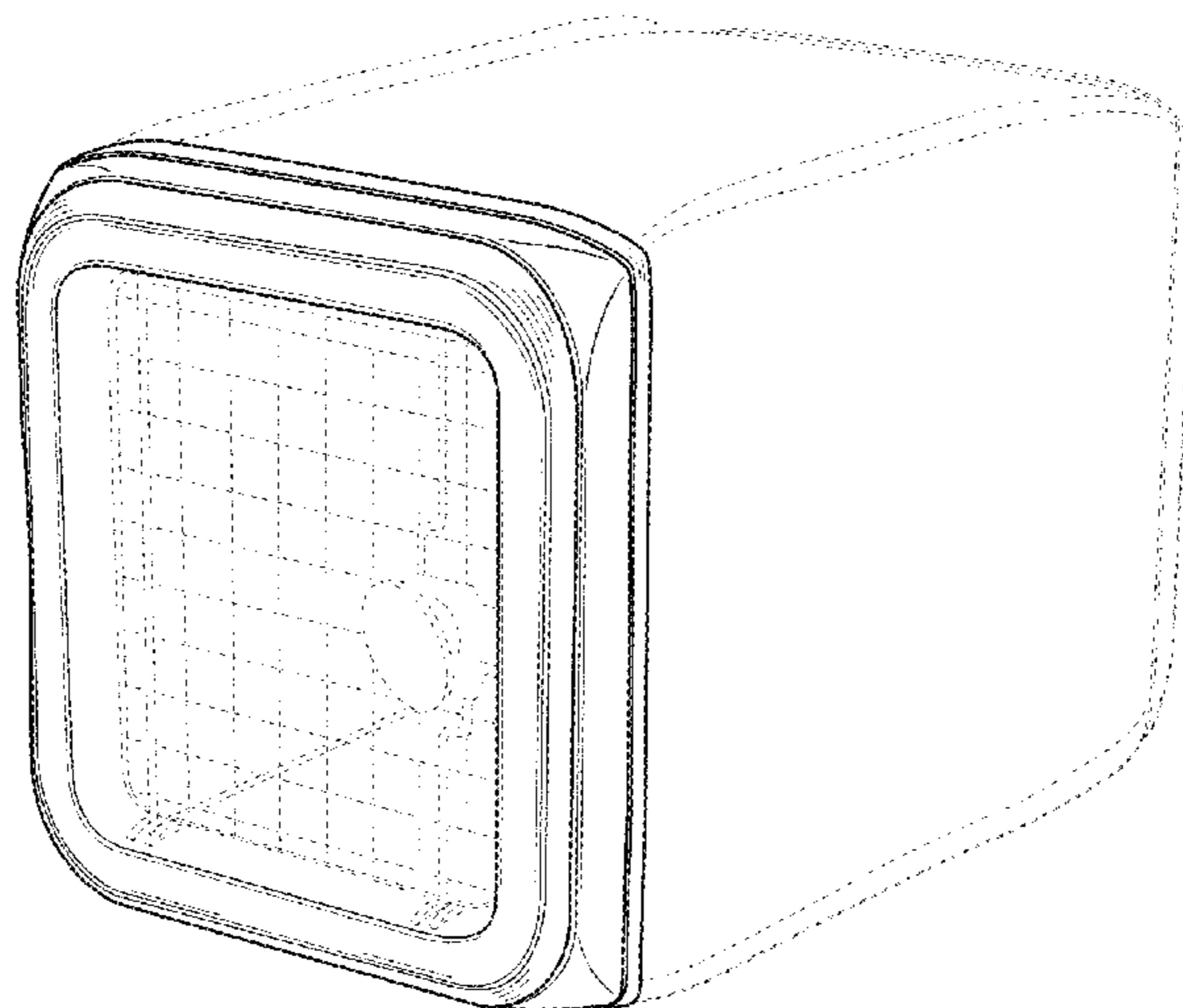
(57) **CLAIM**

The ornamental design for a collapsible kennel, as shown and described.

**DESCRIPTION**

FIG. 1 is a perspective view;  
FIG. 2 is a front elevation view;  
FIG. 3 is a right side elevation view;  
FIG. 4 is a left side elevation view;  
FIG. 5 is a top plan view; and,  
FIG. 6 is a bottom plan view.  
The broken lines depict environment subject matter and form no part of the claimed design.

**1 Claim, 3 Drawing Sheets**



(56)

**References Cited**

U.S. PATENT DOCUMENTS

2008/0245313 A1 10/2008 Jakubowski et al.  
2012/0186533 A1\* 7/2012 Lu ..... A01K 1/0254  
119/497

\* cited by examiner

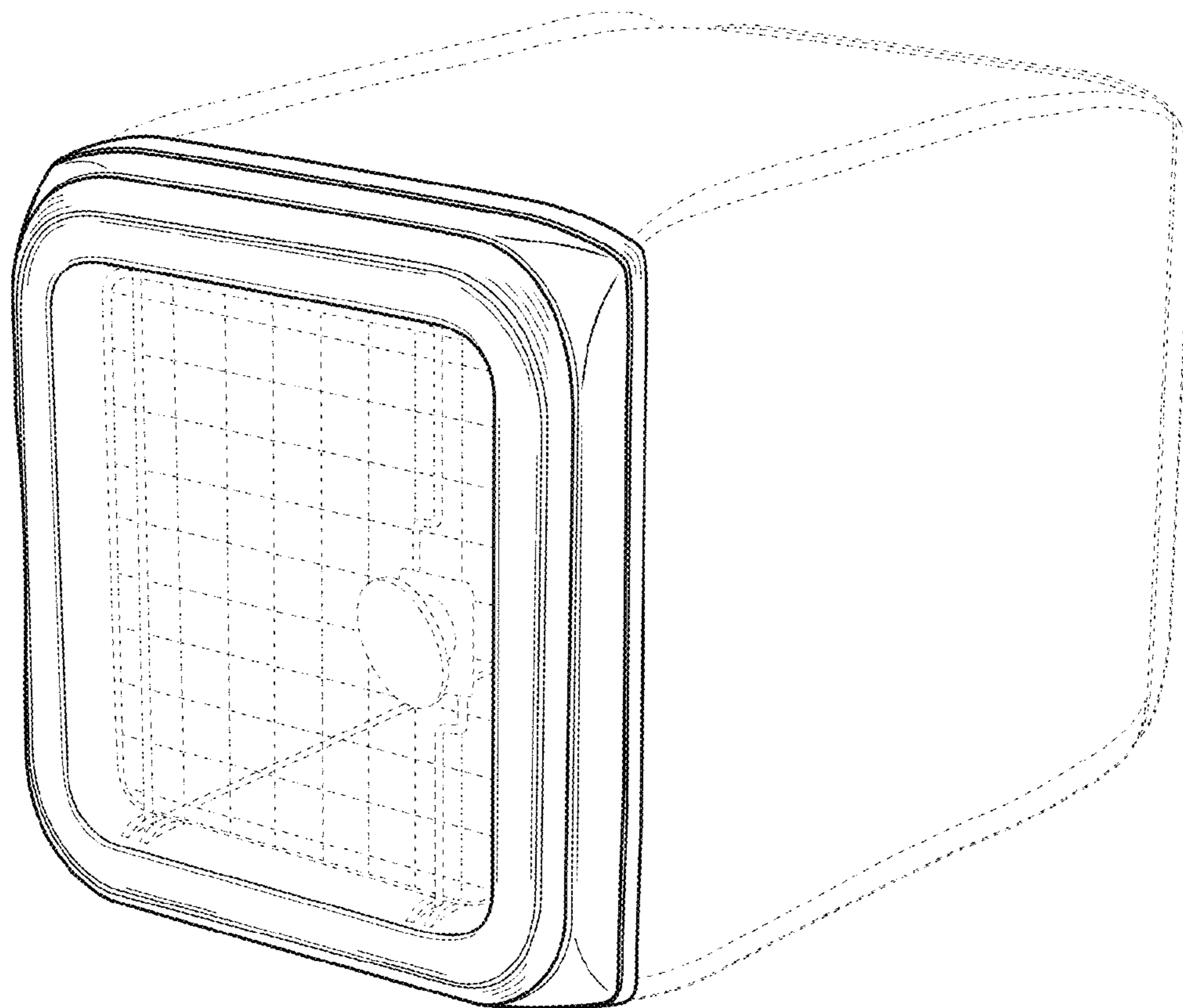


FIG. 1

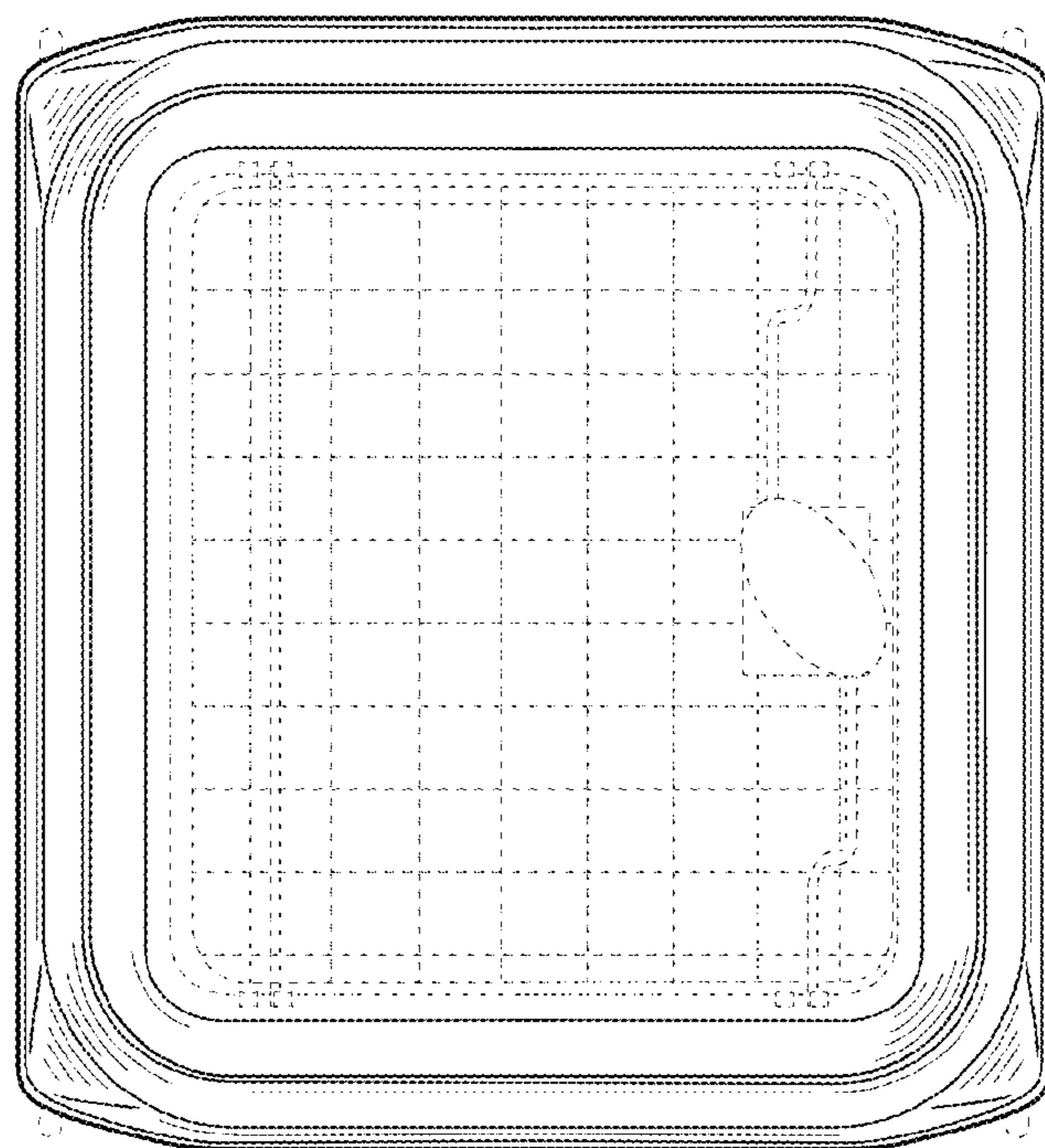


FIG. 2

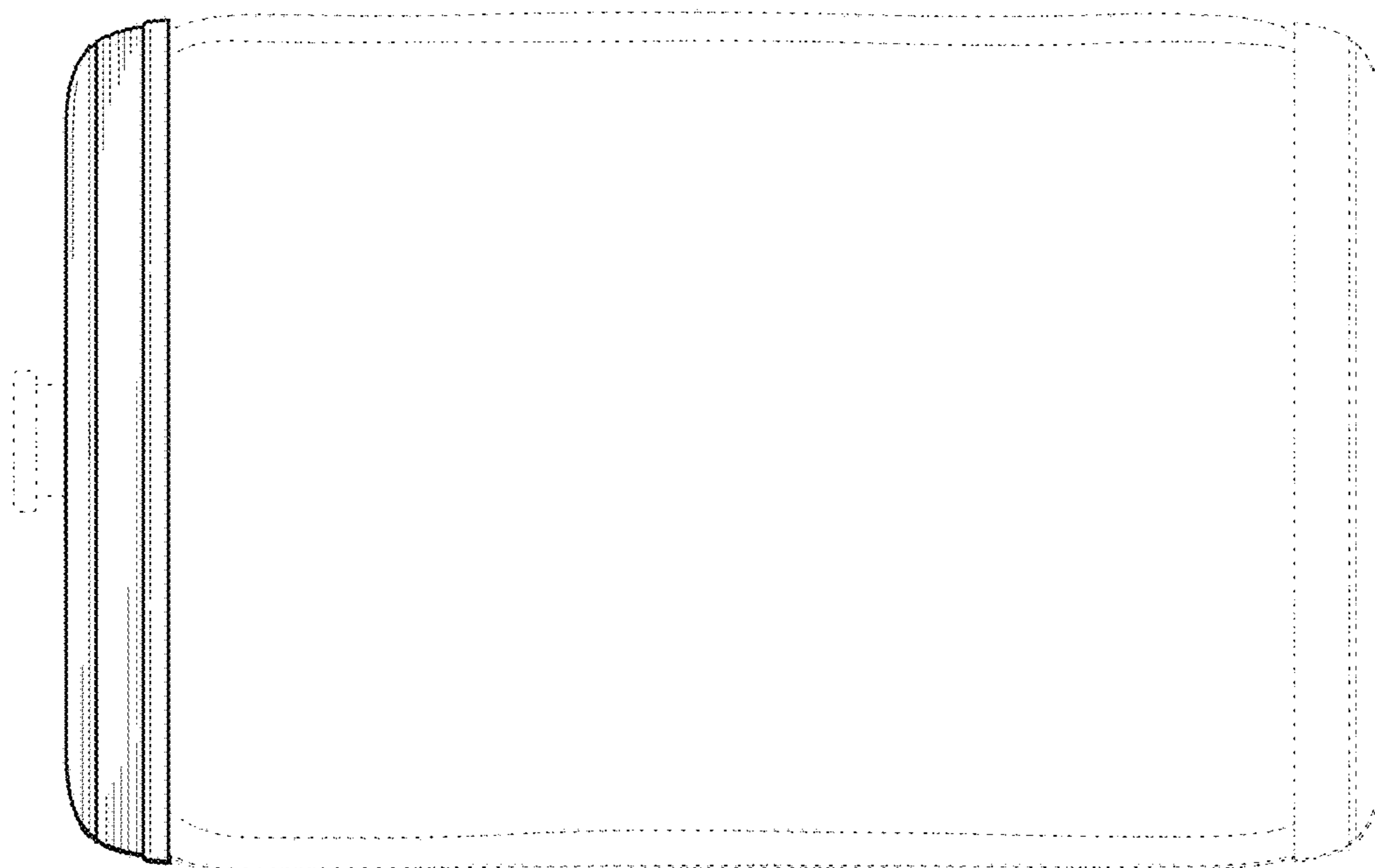


FIG. 3

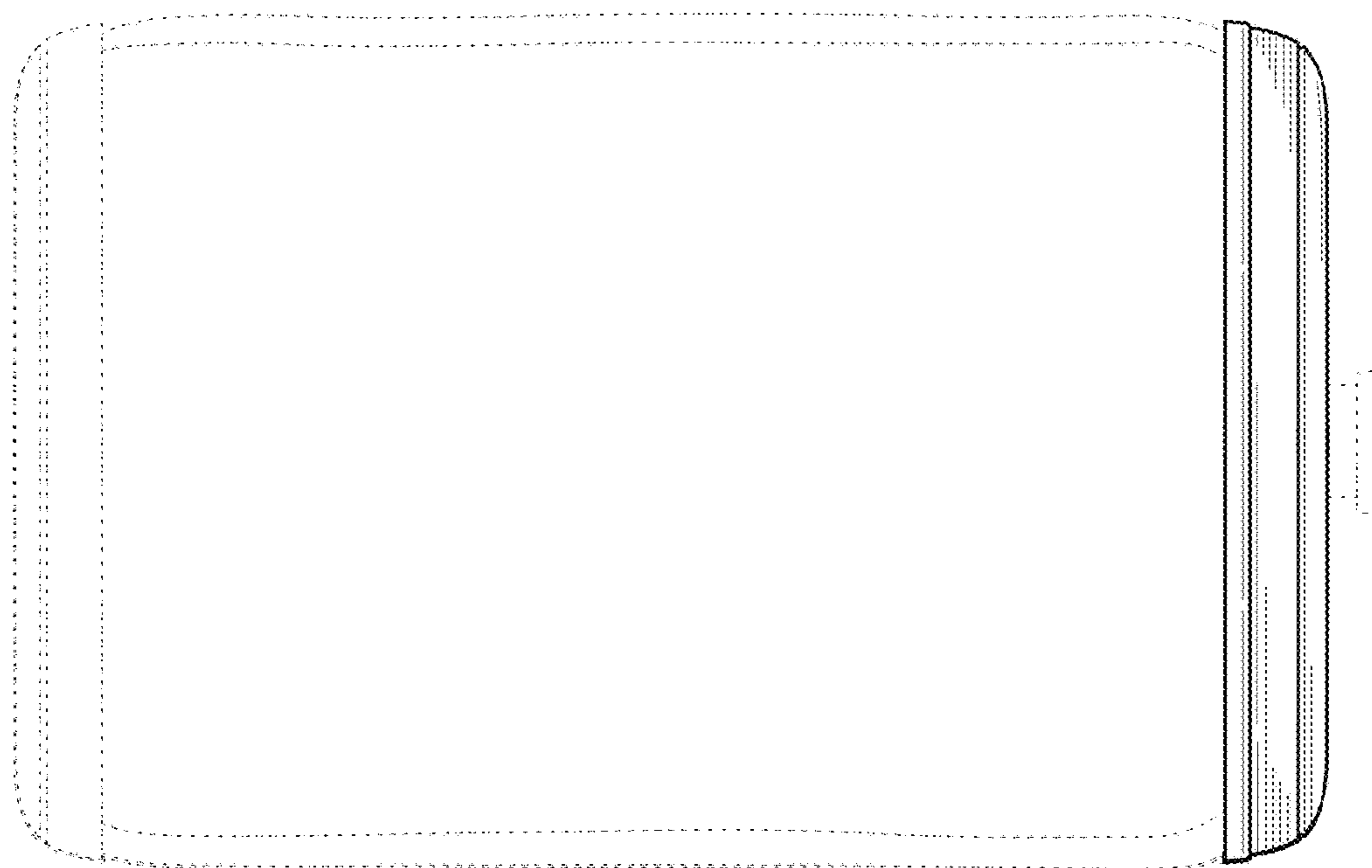


FIG. 4

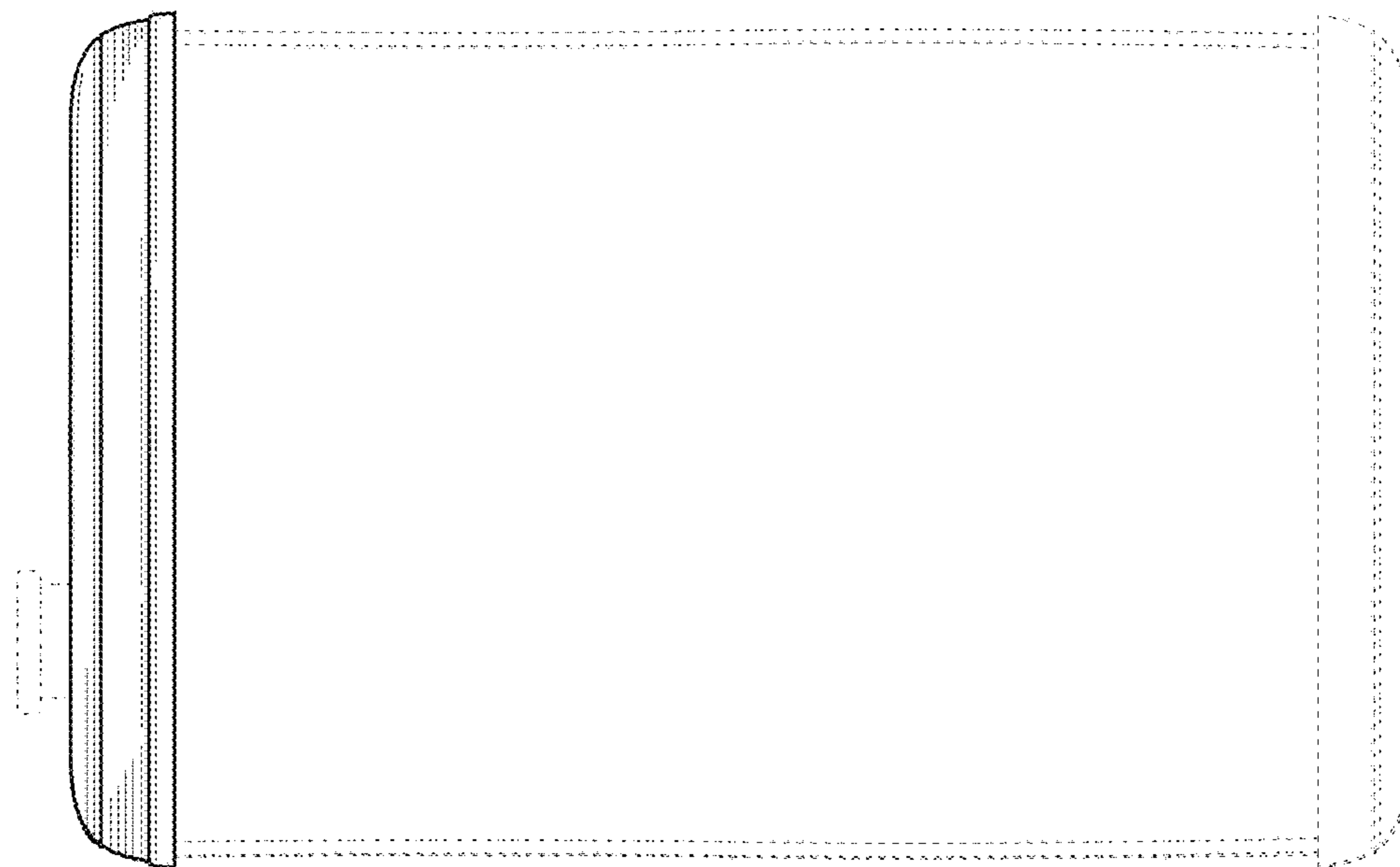


FIG. 5



FIG. 6