



US00D827207S

(12) **United States Design Patent**  
**Garcia Mansilla et al.**

(10) **Patent No.:** **US D827,207 S**

(45) **Date of Patent:** **\*\* Aug. 28, 2018**

(54) **HELMET AND HEADPHONES**

(71) Applicant: **UNIT 1 GEAR LLC**, Wilmington, DE (US)

(72) Inventors: **Juan Garcia Mansilla**, Buenos Aires (AR); **Javier Mariano Bertani**, Buenos Aires (AR)

(73) Assignee: **UNIT 1 GEAR, INC.**, Wilmington, DE (US)

(\*\*) Term: **15 Years**

(21) Appl. No.: **29/594,601**

(22) Filed: **Feb. 21, 2017**

(51) **LOC (11) Cl.** ..... **09-03**

(52) **U.S. Cl.**  
USPC ..... **D29/106**

(58) **Field of Classification Search**

USPC ..... D29/102-107, 122  
CPC ..... A42B 3/166; A42B 3/222; A42B 3/321;  
A42B 3/127; A42B 3/125; A42B 3/128;  
A42B 3/0433; A42B 3/0453; A42B  
3/046; A42B 3/00; A42B 3/22; A42B  
3/30; A42B 3/283; A42B 3/303; A42B  
3/306; A63B 71/10; G06F 3/017; G06F  
3/005; G06F 3/012

See application file for complete search history.

(56) **References Cited**

**U.S. PATENT DOCUMENTS**

D244,491 S \* 5/1977 Csiki ..... D29/105  
4,944,361 A \* 7/1990 Lindgren ..... A42B 3/166  
181/129

D403,128 S \* 12/1998 Scanlon ..... D29/112  
D527,846 S \* 9/2006 Isenbarger ..... D29/103  
7,283,641 B2 \* 10/2007 Rolla ..... A42B 3/166  
381/370  
8,166,575 B2 \* 5/2012 Haselmayer ..... A42B 3/166  
2/10  
D663,902 S \* 7/2012 Karlsson ..... A61F 11/14  
D14/205  
D704,379 S \* 5/2014 Lee ..... D29/103  
9,168,176 B2 \* 10/2015 Peebles ..... A63B 71/10  
9,179,728 B2 \* 11/2015 Pfanner ..... A42B 3/166  
9,339,075 B2 \* 5/2016 Ratliff ..... A42B 3/166

\* cited by examiner

*Primary Examiner* — Ruth McInroy

(74) *Attorney, Agent, or Firm* — Unit 1 Gear, Inc.

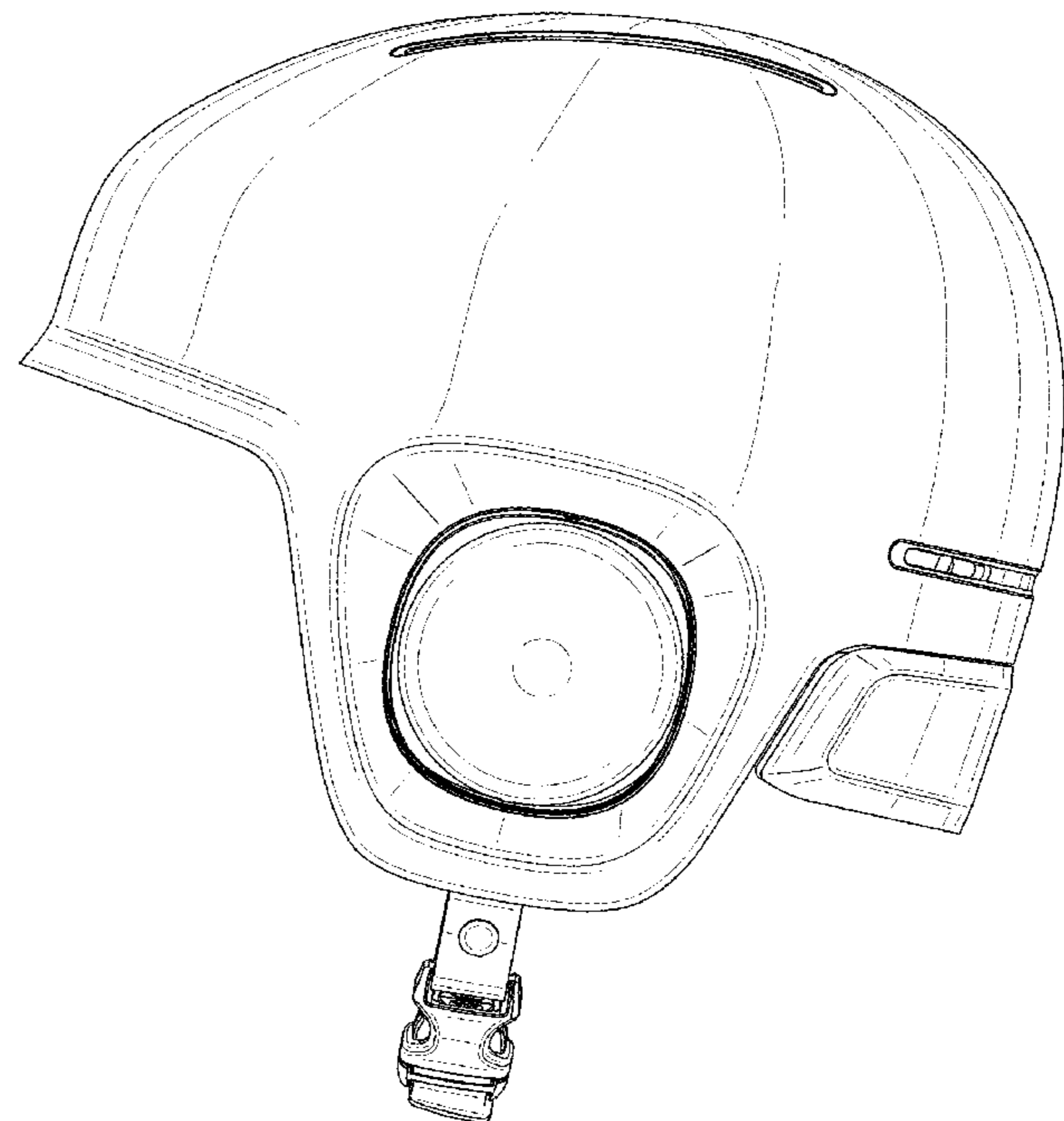
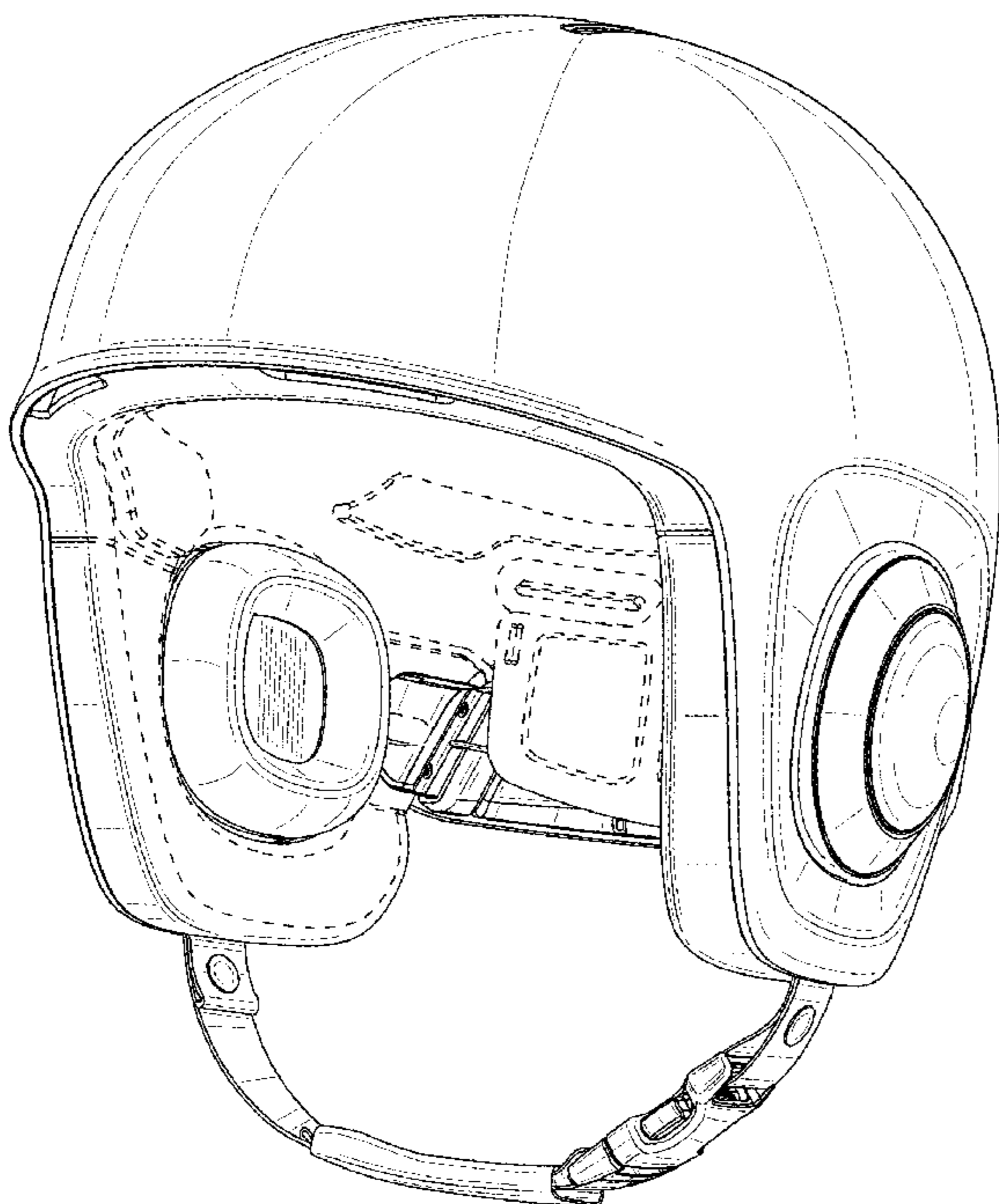
(57) **CLAIM**

The ornamental design for a helmet and headphones, as shown and described.

**DESCRIPTION**

FIG. 1 is a front perspective view of a helmet and headphones;  
FIG. 2 is a rear perspective view thereof;  
FIG. 3 is a bottom perspective view thereof;  
FIG. 4 is a front elevation view thereof;  
FIG. 5 is a rear elevation view thereof;  
FIG. 6 is a right side elevation view thereof;  
FIG. 7 is a left side elevation view thereof;  
FIG. 8 is a top plan view thereof; and,  
FIG. 9 is a bottom plan view thereof.  
The dashed lines represent unclaimed features of the helmet and headphones that form no part of the claimed design.

**1 Claim, 9 Drawing Sheets**



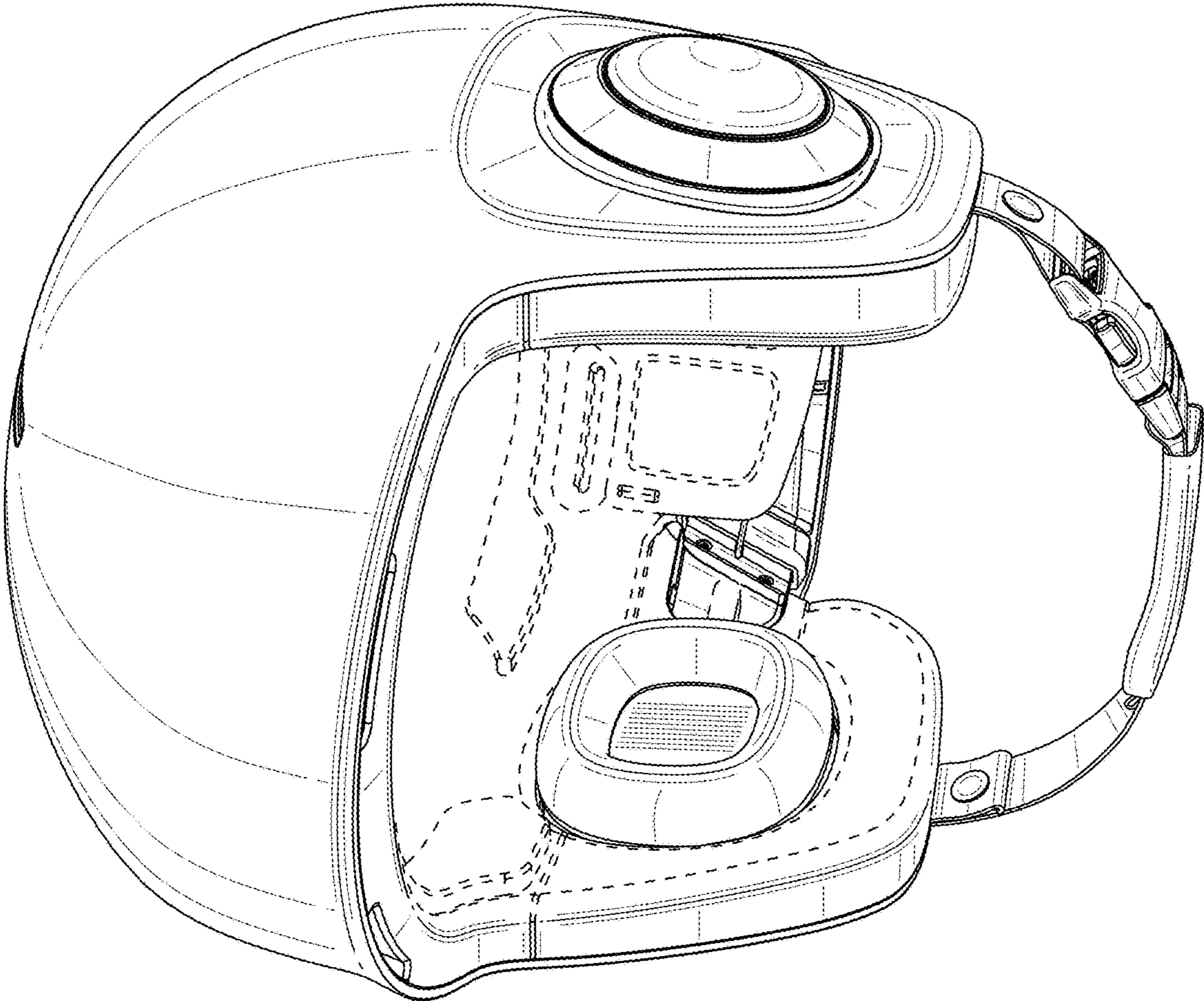


FIG. 1

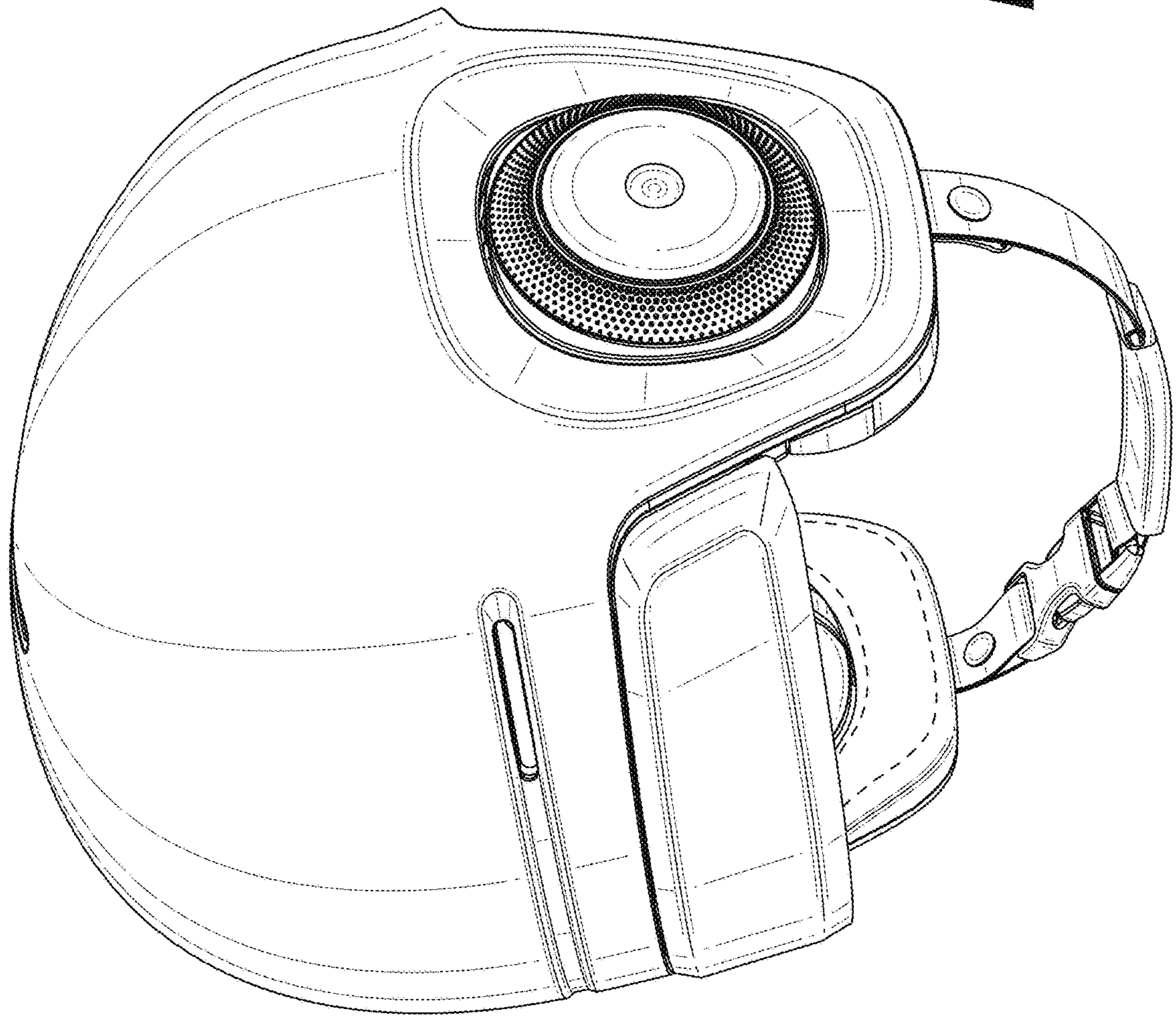
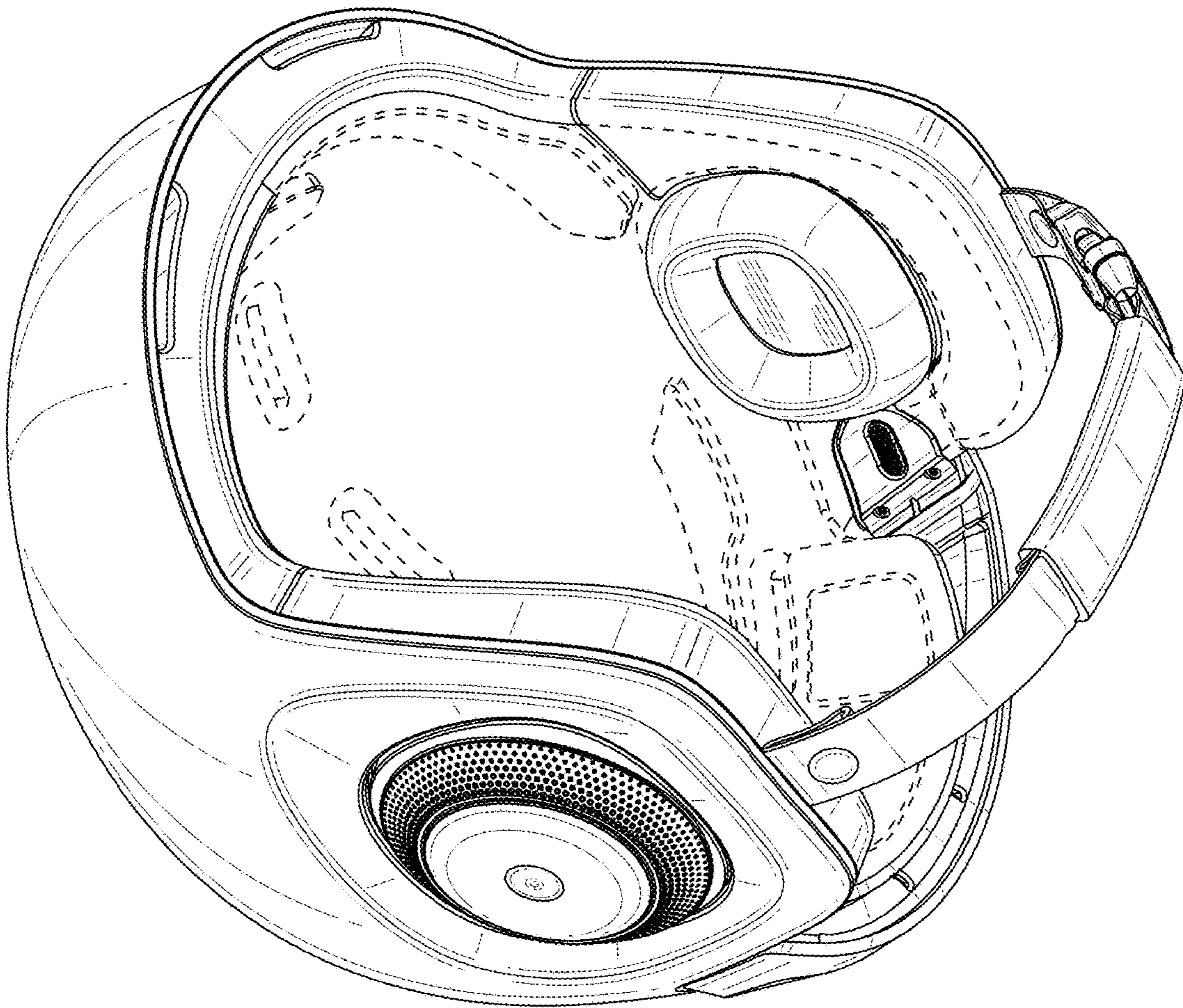


FIG. 2

FIG. 3



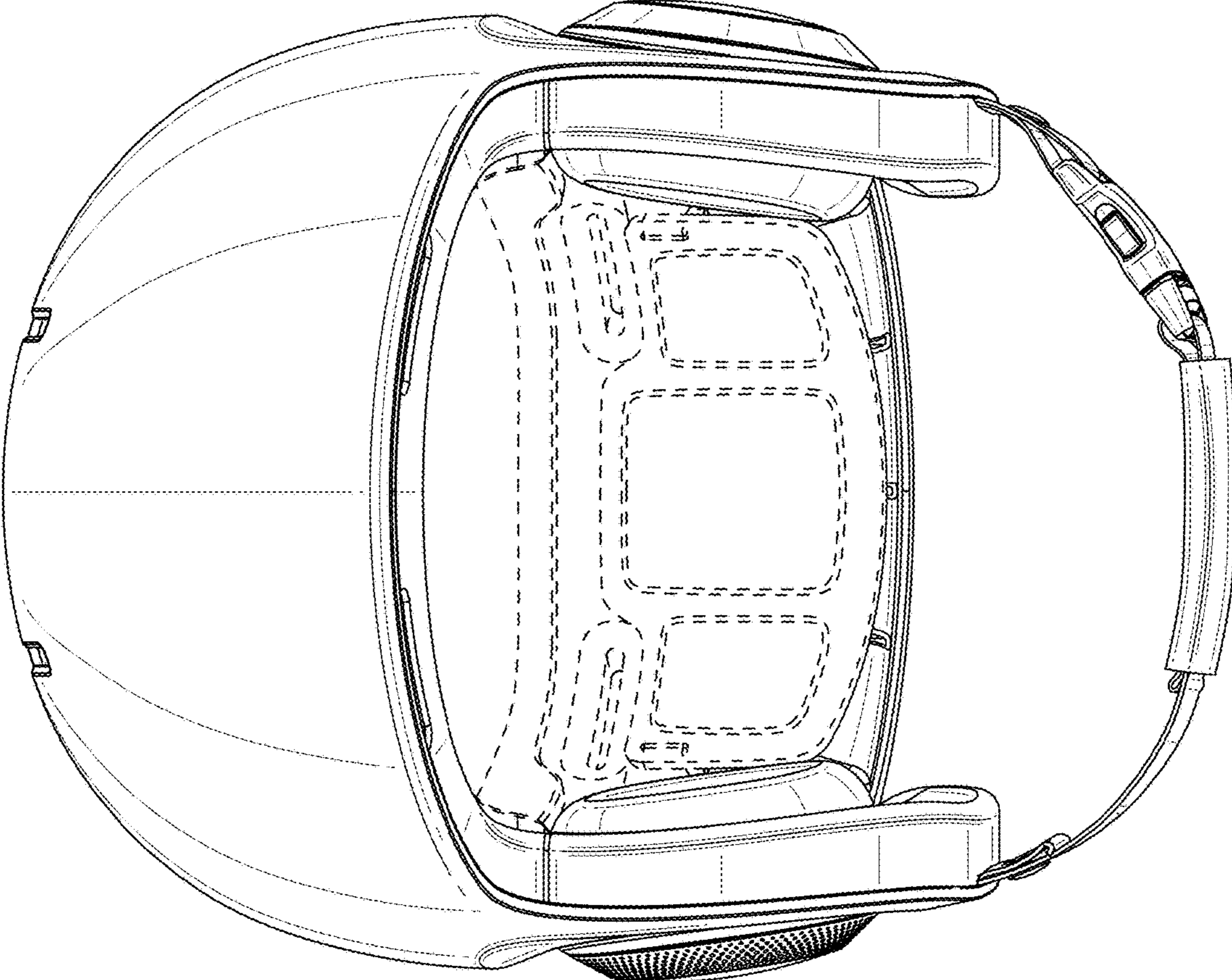


FIG. 4

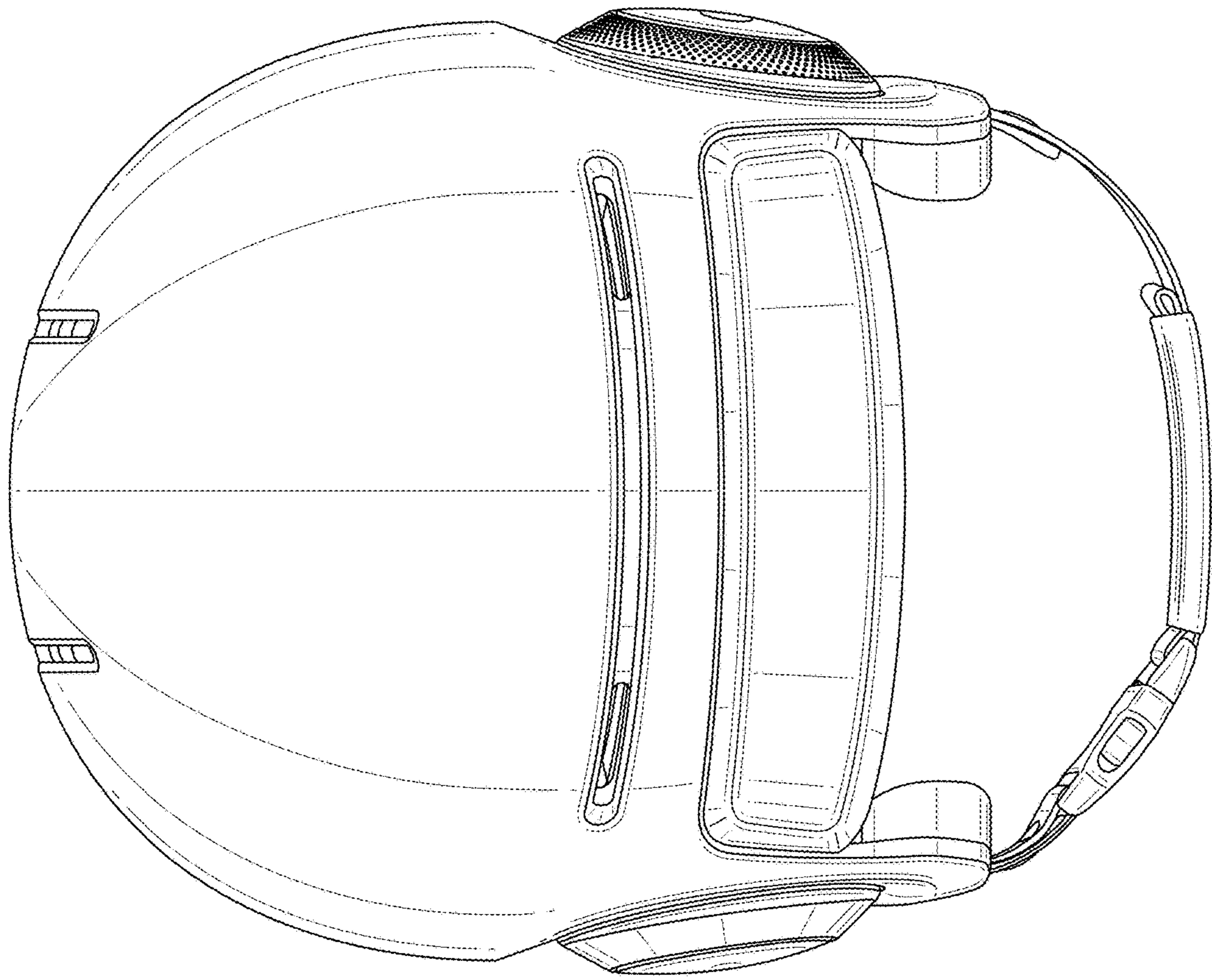
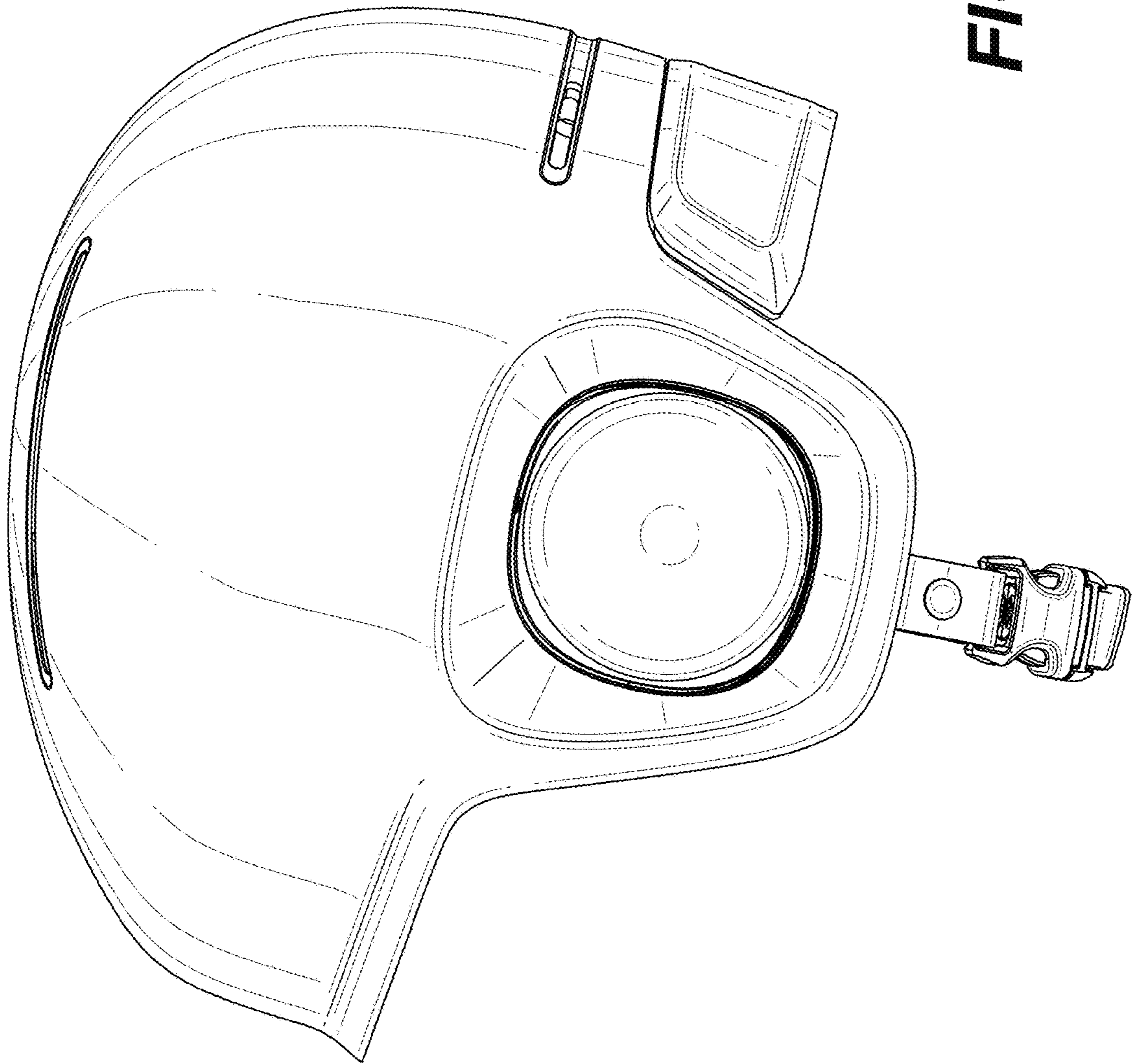
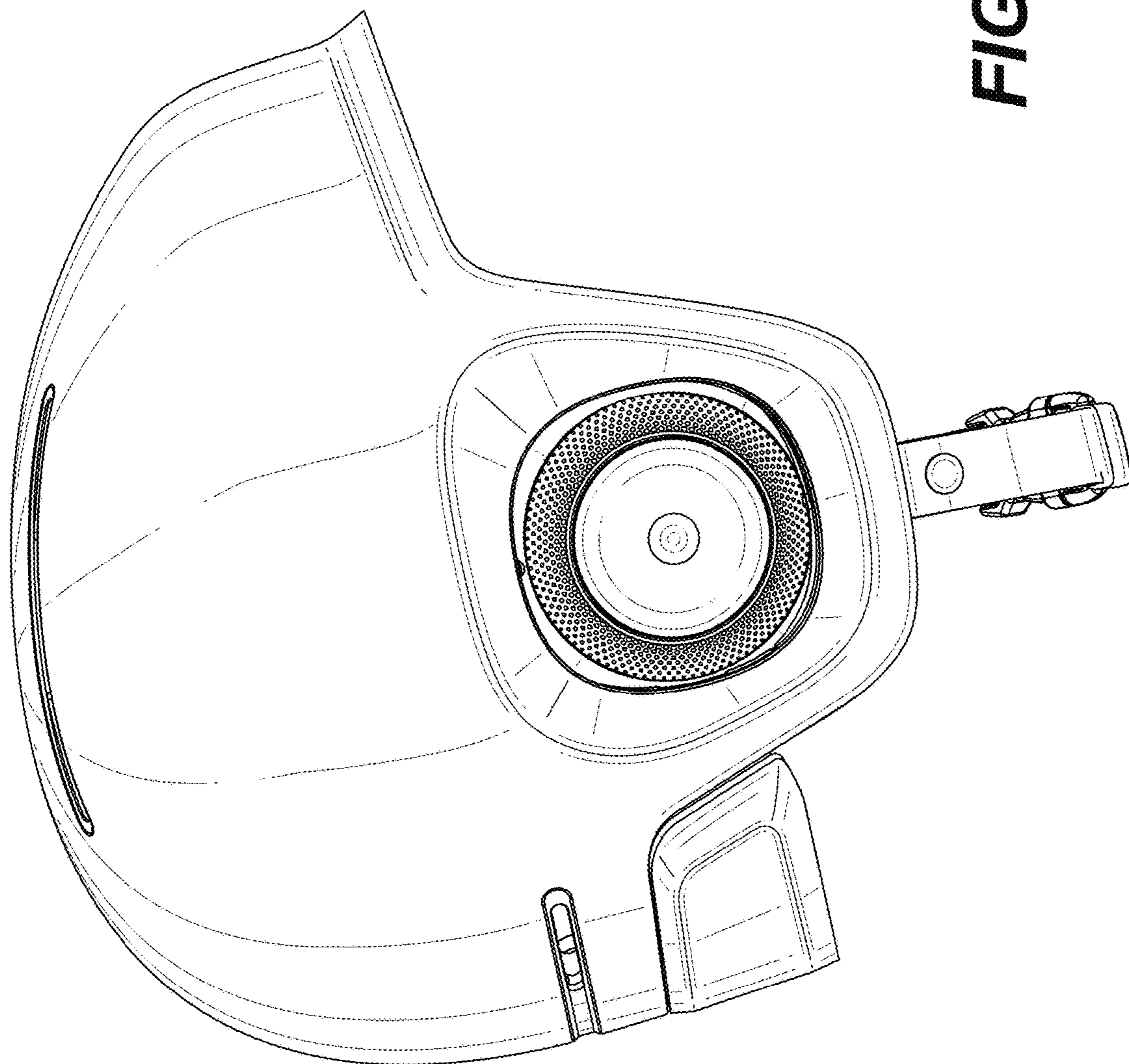


FIG. 5



**FIG. 6**



**FIG. 7**



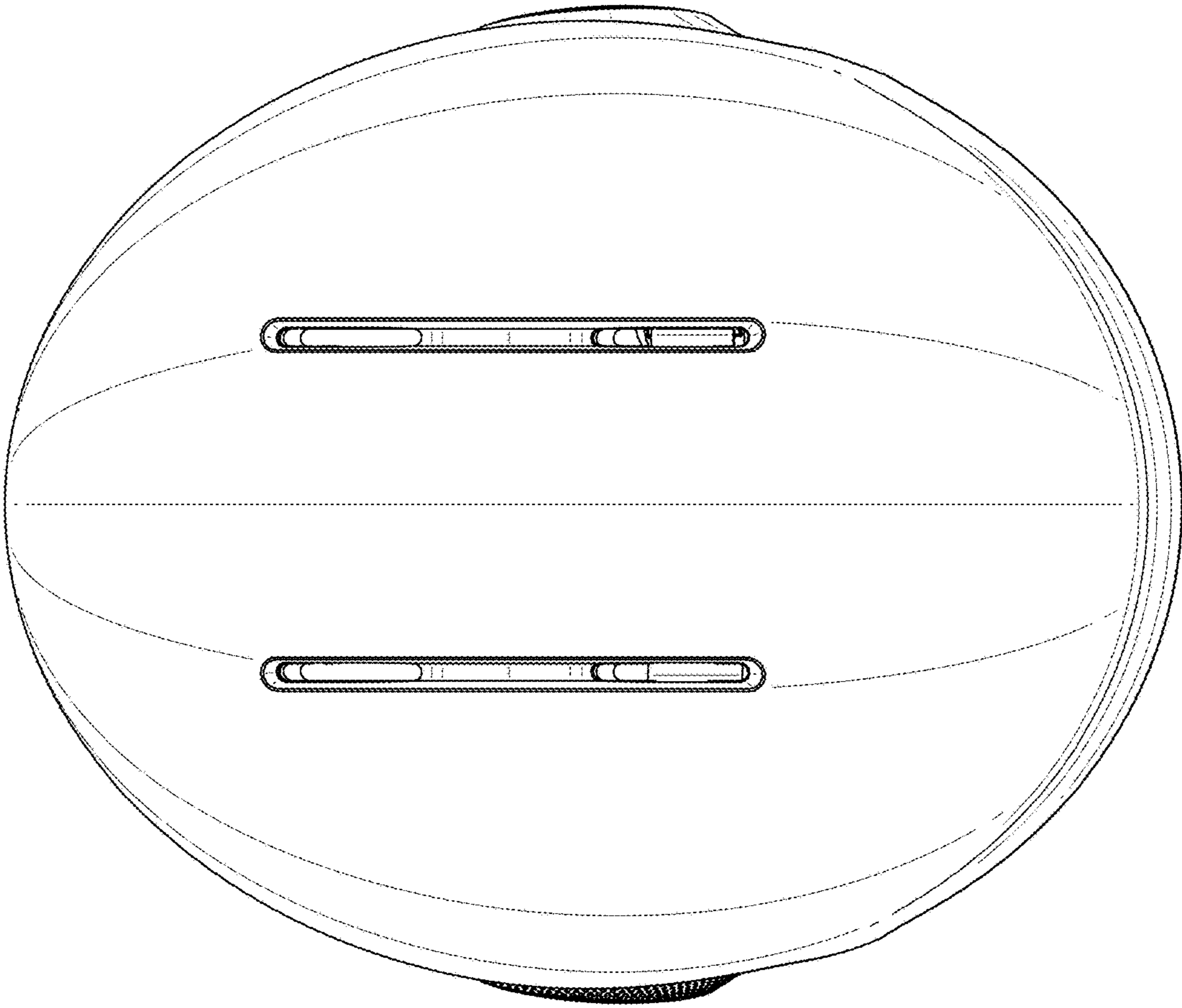
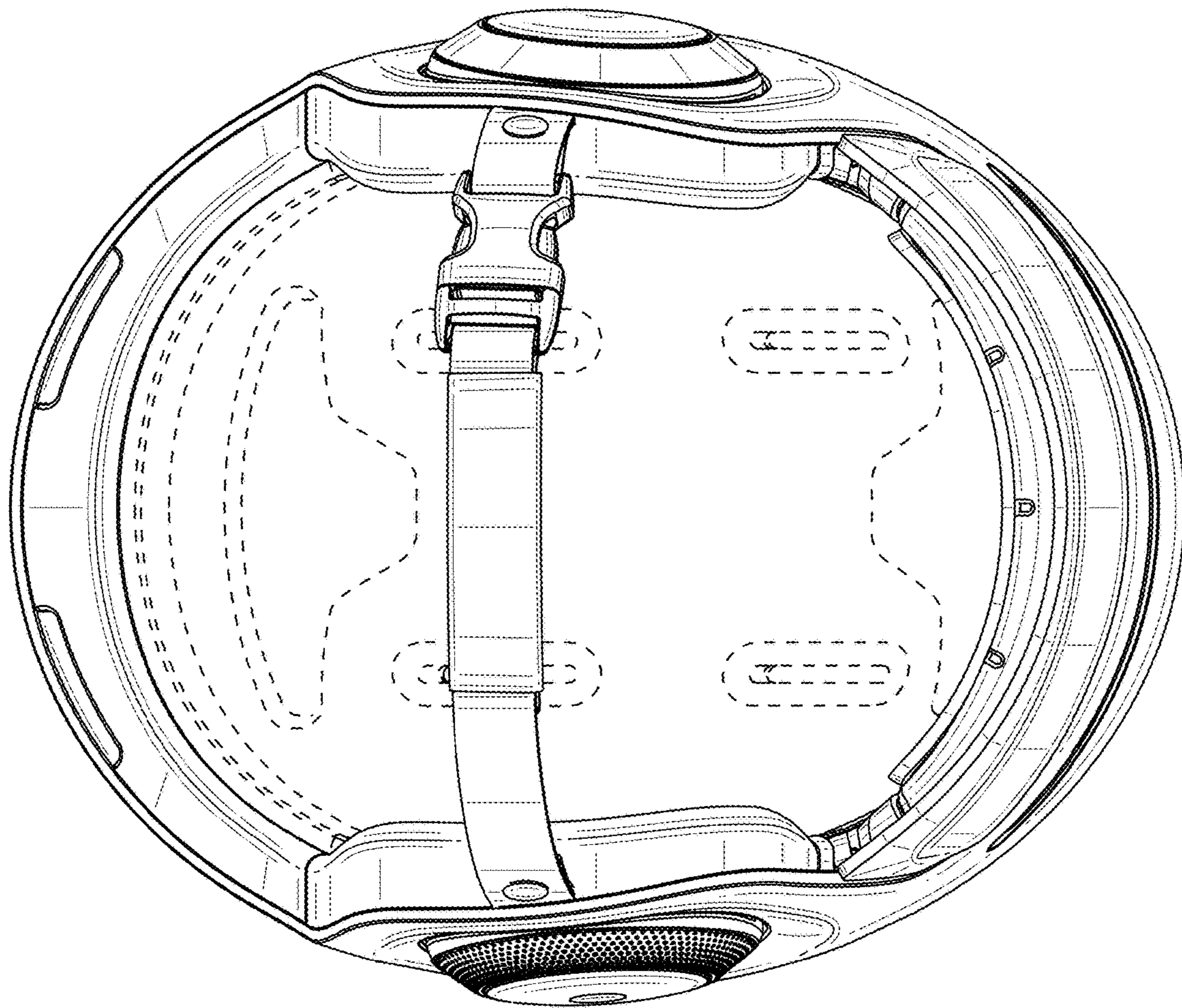


FIG. 8



**FIG. 9**