



US00D827203S

(12) **United States Design Patent**
Ouyang et al.

(10) **Patent No.:** **US D827,203 S**

(45) **Date of Patent:** **** Aug. 28, 2018**

(54) **FINGERNAIL DRYER**
(71) Applicant: **SHENZHEN UVLED OPTICAL TECHNOLOGY CO., LTD.**, Shenzhen (CN)
(72) Inventors: **Chenyi Ouyang**, Shenzhen (CN); **Zhulin Bai**, Shenzhen (CN)
(73) Assignee: **Shenzhen Uvled Optical Technology Co., Ltd.**, Shenzhen (CN)

5,133,043 A * 7/1992 Baugh A45D 20/10
34/667
D342,804 S * 12/1993 Morgan D26/118
D622,897 S * 8/2010 Unsworth D26/124
D680,272 S * 4/2013 Cheng D28/54.1
D698,495 S * 1/2014 Lee D28/54.1
D707,886 S * 6/2014 Park D28/54.1
D739,543 S * 9/2015 Ma D24/215

(Continued)

(**) Term: **15 Years**

(21) Appl. No.: **29/583,930**

(22) Filed: **Nov. 10, 2016**

(30) **Foreign Application Priority Data**

Sep. 29, 2016 (CN) 2016 3 0489127

(51) **LOC (11) Cl.** **28-03**

(52) **U.S. Cl.**
USPC **D28/58**

(58) **Field of Classification Search**
USPC D28/12, 19, 54.1, 57-58, 61, 78, 82,
D28/88-89, 91; 34/90, 104, 202, 231;
250/455.11, 515.1, 494.1, 504, 504 R;
132/73-75

CPC . F26B 9/003; F26B 3/28; A45D 29/22; A45D
29/20; A45D 2200/205

See application file for complete search history.

(56) **References Cited**

U.S. PATENT DOCUMENTS

2,218,296 A * 10/1940 Perras A45D 29/00
132/73
3,313,036 A * 4/1967 Fortune A45D 20/24
34/99
D257,291 S * 10/1980 Losenno D28/19
D279,034 S * 5/1985 Putney D28/56
4,837,668 A * 6/1989 Koehler F21V 7/22
362/297

FOREIGN PATENT DOCUMENTS

EM 003181825-0003 * 6/2016

OTHER PUBLICATIONS

SUNUV SUN8 Nail Lamp, posted at uvled.tw, date and author not listed © 2009-2015 Shenzhen UVLED Optoelectronic Technology Co., Ltd., online, site visited Jan. 3, 2018. Available from Internet, URL: <http://www.uvled.tw/4046.html> (Year: 0000).*

Primary Examiner — Shannon W Morgan

Assistant Examiner — Altaira J Swangin

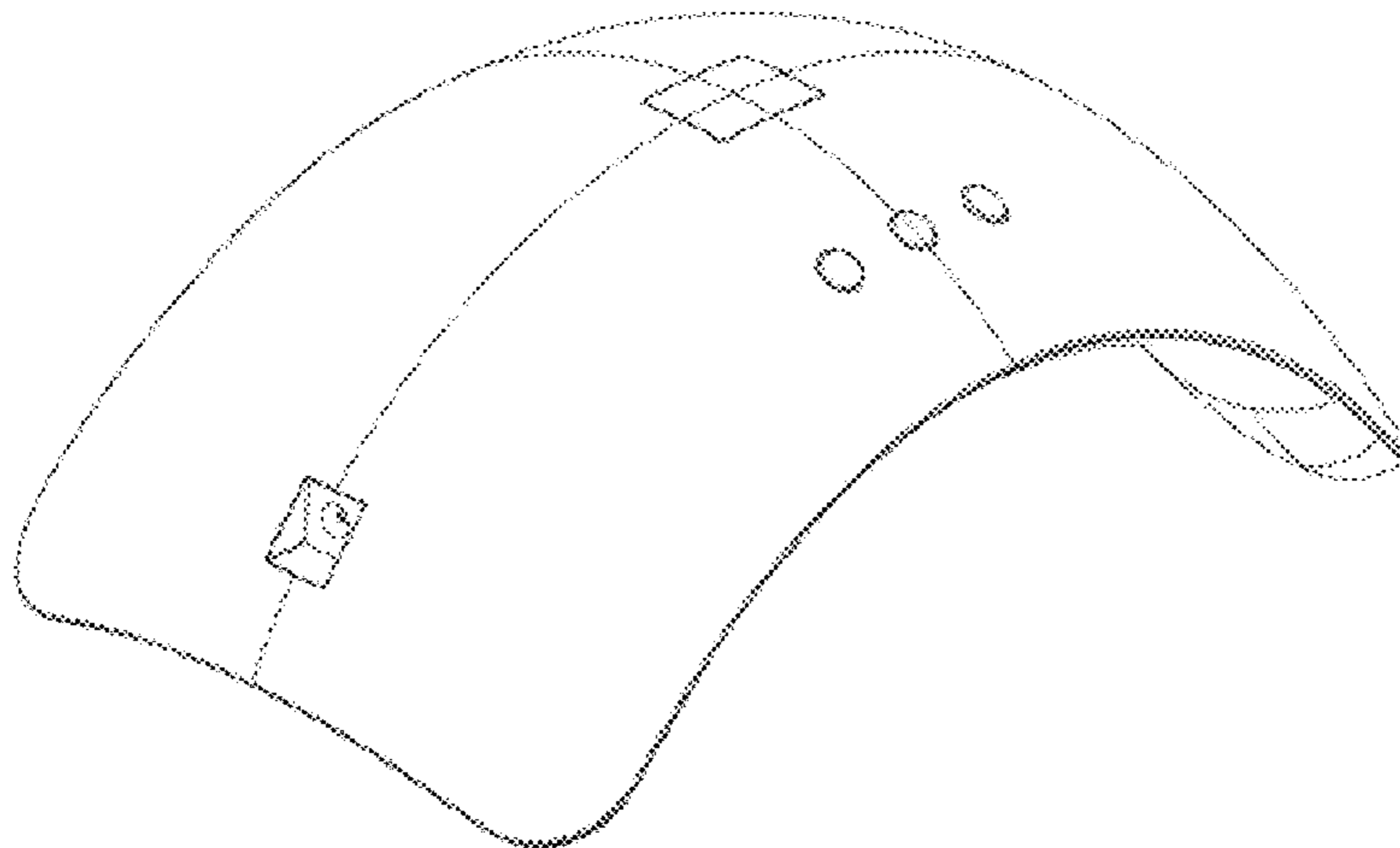
(57) **CLAIM**

The ornamental design for a fingernail dryer, as shown and described.

DESCRIPTION

FIG. 1 is a front view of an ornamental design for a fingernail dryer showing our new design;
FIG. 2 is a rear view of an ornamental design for the fingernail dryer thereof;
FIG. 3 is a left side view of an ornamental design for the fingernail dryer thereof;
FIG. 4 is a right side view of an ornamental design for the fingernail dryer thereof;
FIG. 5 is a top plan view of an ornamental design for the fingernail dryer thereof; and,
FIG. 6 is a perspective view of an ornamental design for the fingernail dryer according to our invention.

1 Claim, 4 Drawing Sheets



(56)

References Cited

U.S. PATENT DOCUMENTS

D785,757 S * 5/2017 Murray D23/238
D785,758 S * 5/2017 Murray D23/238
D804,047 S * 11/2017 Michaels D24/209
2007/0006482 A1* 1/2007 Sabounjian F26B 25/18
34/442
2010/0293805 A1* 11/2010 Chang A45D 29/00
34/202
2015/0265027 A1* 9/2015 Wan A45D 29/00
34/275
2015/0290675 A1* 10/2015 Lin A45D 29/00
250/494.1

* cited by examiner

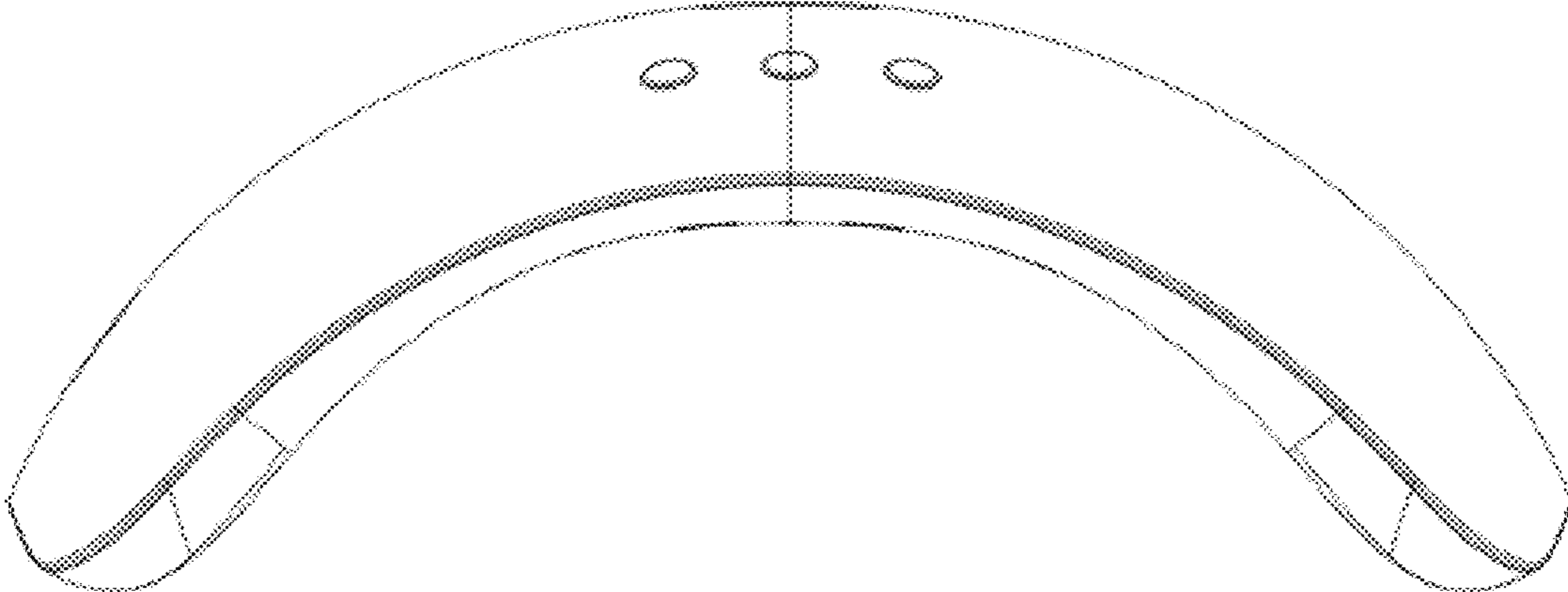


FIG.1

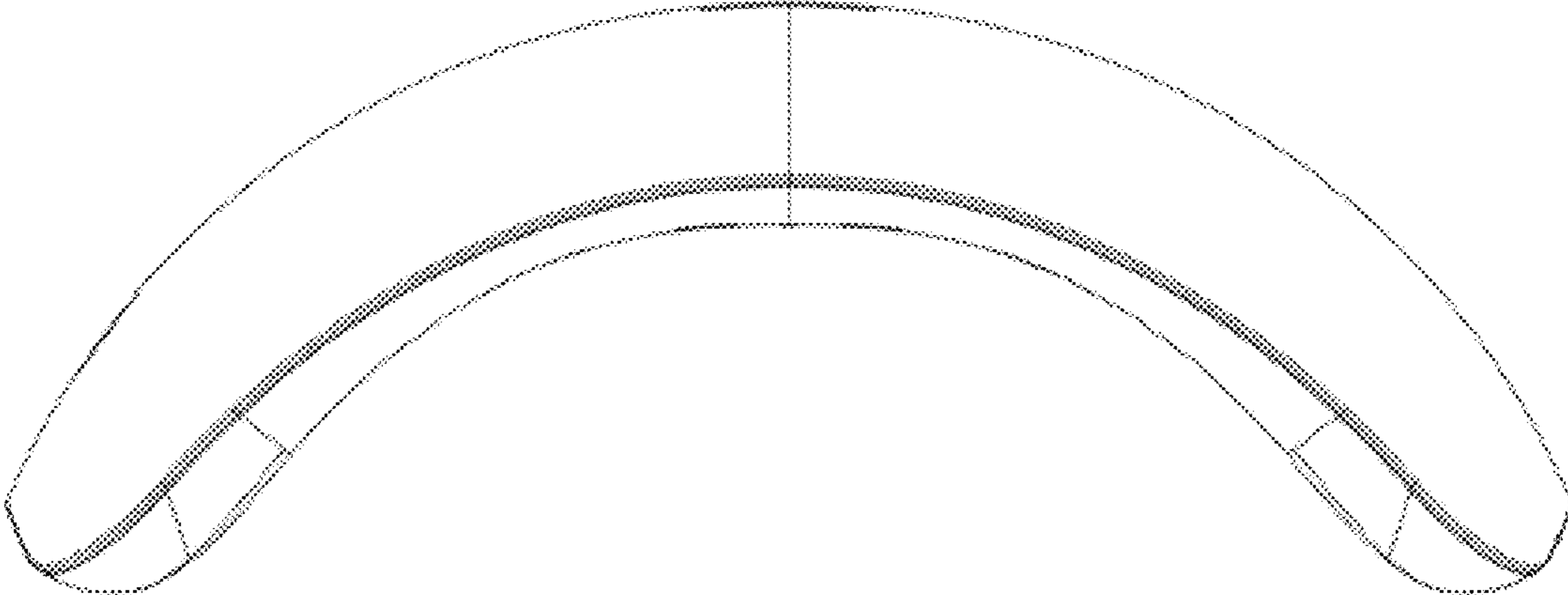


FIG.2

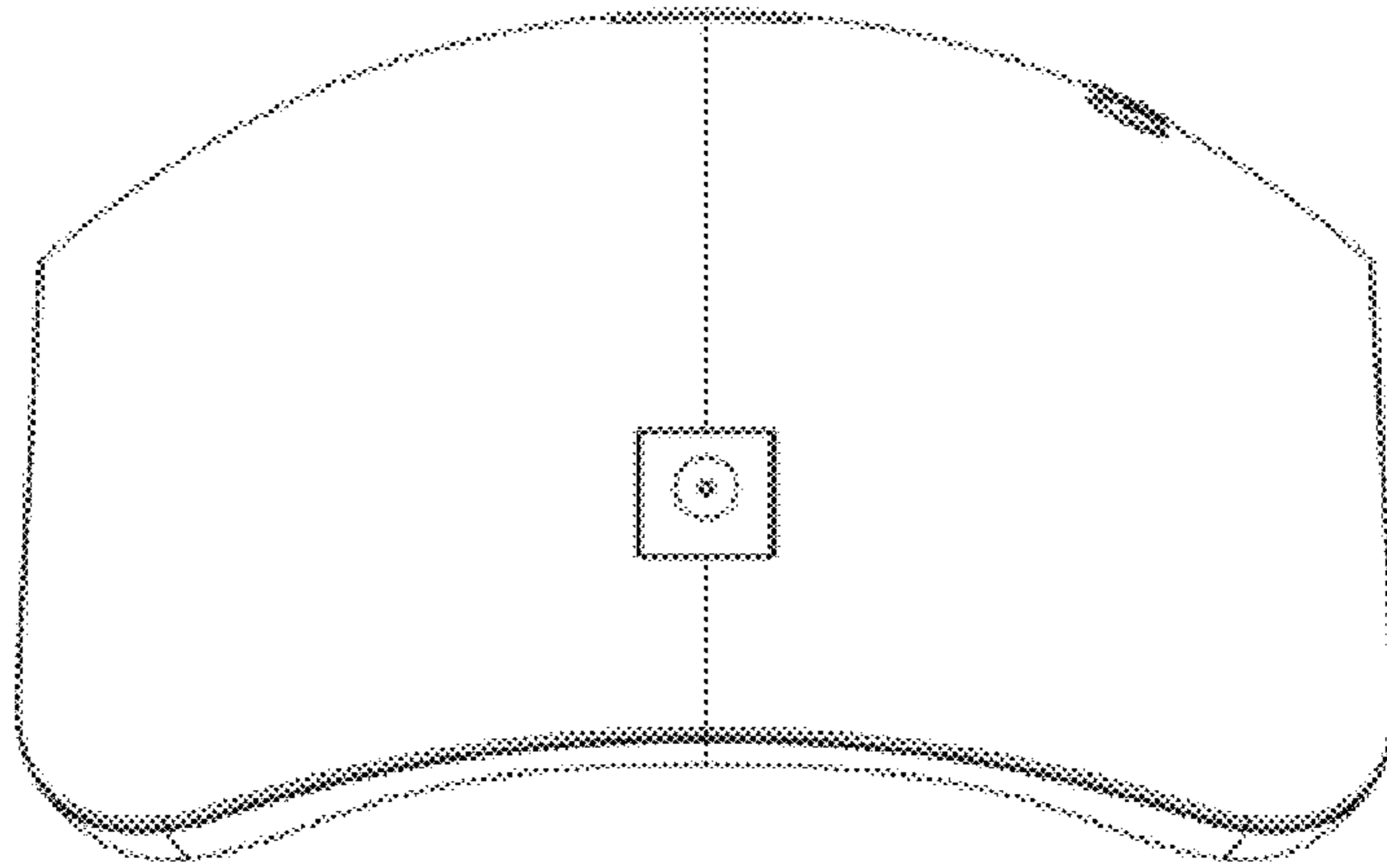


FIG.3

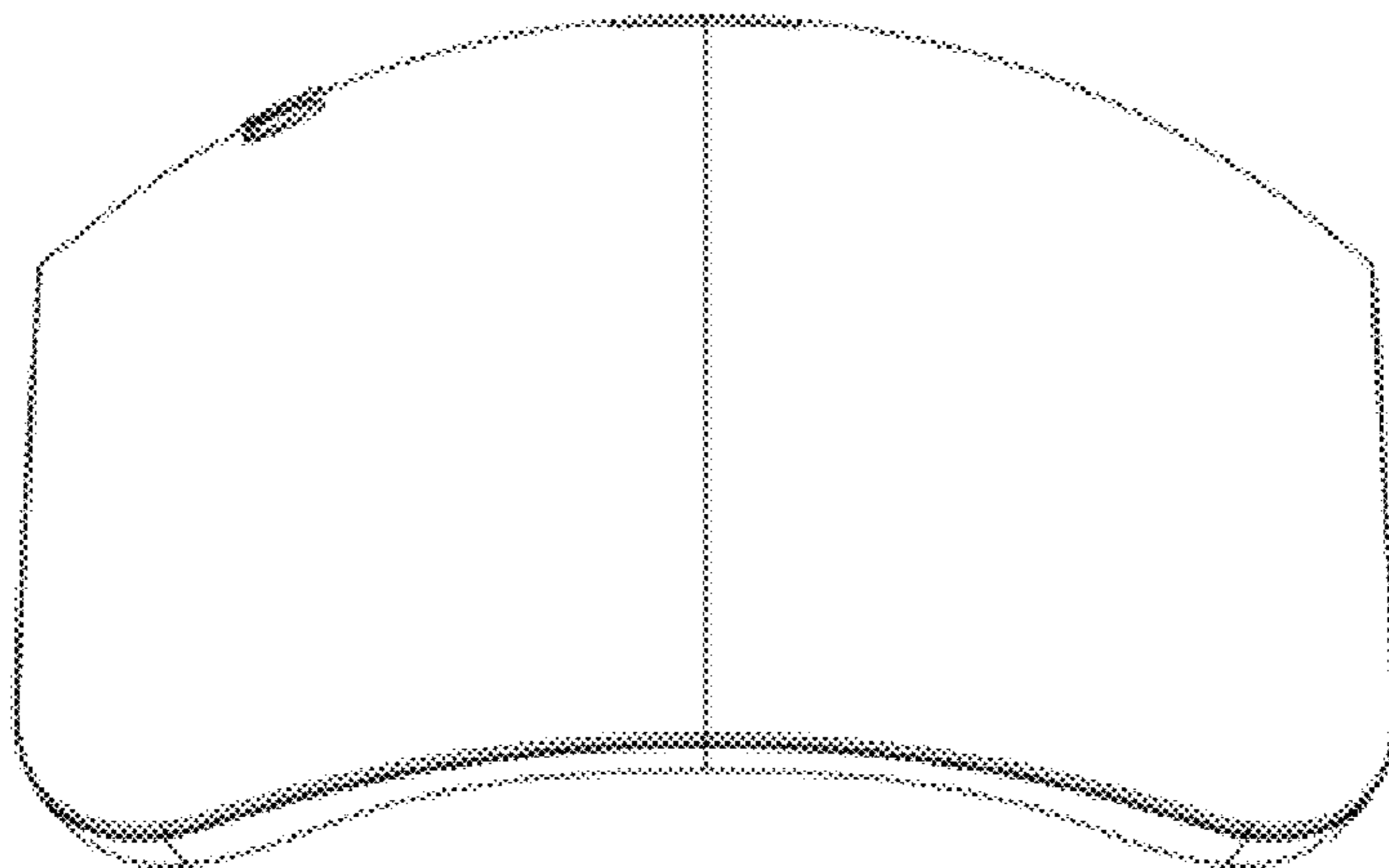


FIG.4

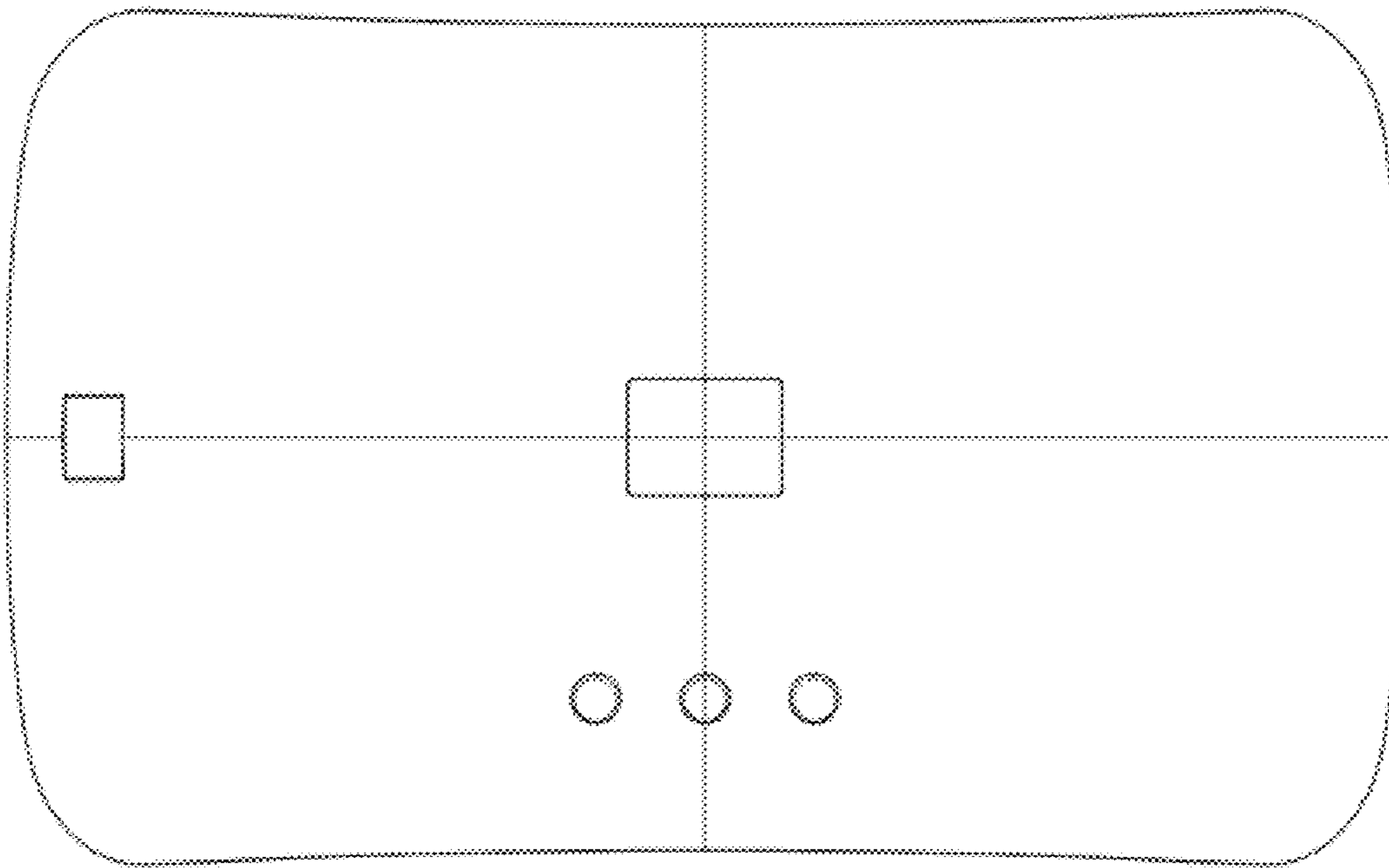


FIG.5

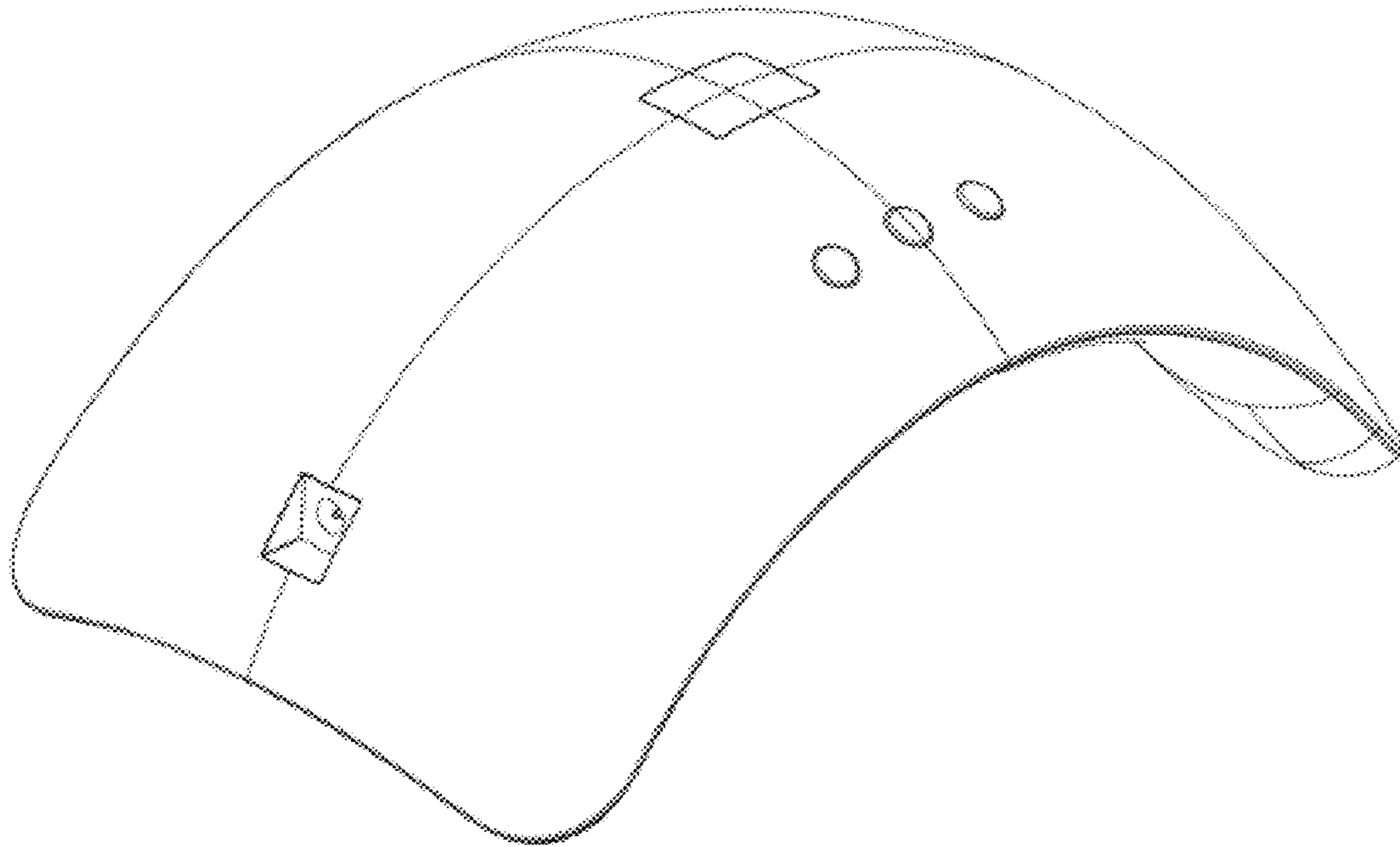


FIG.6