



US00D827201S

(12) **United States Design Patent** (10) **Patent No.:** **US D827,201 S**  
**Go** (45) **Date of Patent:** **\*\* Aug. 28, 2018**

(54) **RAZOR HANDLE**  
(71) Applicant: **Dorco Co., Ltd.**, Seoul (KR)  
(72) Inventor: **Woo-Gyeong Go**, Seoul (KR)  
(73) Assignee: **Dorco Co., Ltd.**, Seoul (KR)  
(\*\*) Term: **15 Years**

(21) Appl. No.: **29/585,040**  
(22) Filed: **Nov. 18, 2016**

(30) **Foreign Application Priority Data**  
May 20, 2016 (KR) ..... 30-2016-0023996  
(51) **LOC (11) Cl.** ..... **28-03**  
(52) **U.S. Cl.**  
USPC ..... **D28/48**  
(58) **Field of Classification Search**  
USPC ..... D28/46-48  
CPC ..... B26B 21/08-21/32; B26B 21/34-21/38;  
B26B 21/52-21/528; B26B  
21/405-21/4062; B26B 21/4068-21/4075  
See application file for complete search history.

(56) **References Cited**  
U.S. PATENT DOCUMENTS  
D491,311 S \* 6/2004 Follo ..... D28/48  
D624,700 S \* 9/2010 Jung ..... D28/46  
D624,701 S \* 9/2010 Jung ..... D28/48  
D674,552 S \* 1/2013 Barrow ..... D28/48  
D674,553 S \* 1/2013 Barrow ..... D28/48  
D699,000 S \* 2/2014 Bae ..... D28/48

D699,395 S \* 2/2014 Bae ..... D28/48  
D730,579 S \* 5/2015 Han ..... D28/48  
D739,980 S \* 9/2015 Psimadas ..... D28/48  
D745,215 S \* 12/2015 Go ..... D28/48  
D749,266 S \* 2/2016 Go ..... D28/48  
D768,929 S \* 10/2016 Go ..... D28/48  
D787,127 S \* 5/2017 Dubin ..... D28/48  
D789,609 S \* 6/2017 Kong ..... D28/48  
D802,212 S \* 11/2017 Bae ..... D28/48

\* cited by examiner

*Primary Examiner* — Jennifer Rivard  
(74) *Attorney, Agent, or Firm* — Perkins Coie LLP

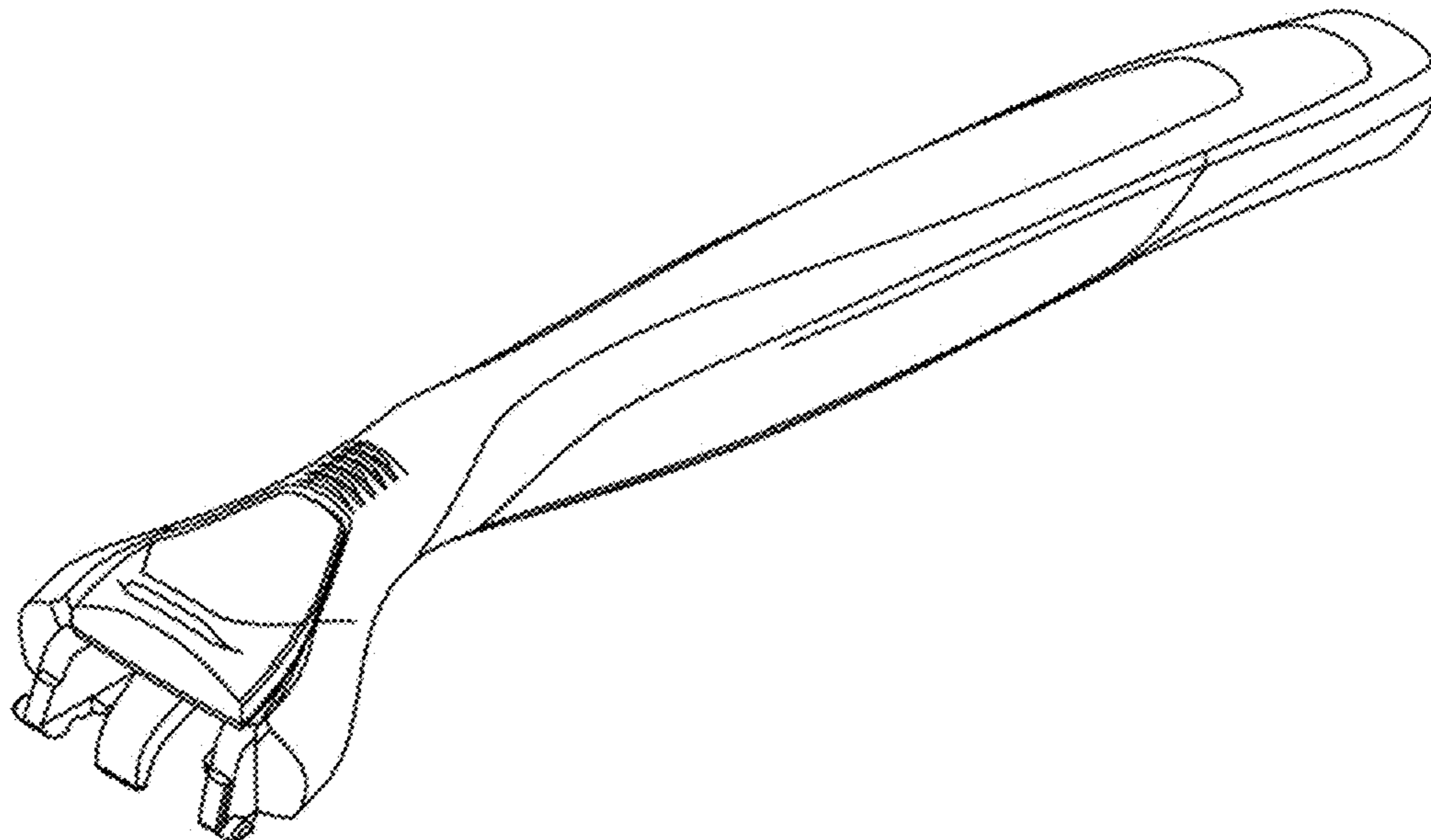
(57) **CLAIM**

The ornamental design for a razor handle, as shown and described.

**DESCRIPTION**

FIG. 1 is a perspective view of a razor handle showing my new design;  
FIG. 2 is a first side view of the razor handle;  
FIG. 3 is a second side view of the razor handle;  
FIG. 4 is a front view of the razor handle;  
FIG. 5 is a rear view of the razor handle;  
FIG. 6 is a top plan view of the razor handle;  
FIG. 7 is a bottom plan view of the razor handle; and,  
FIG. 8 is an additional perspective view of the razor handle. The ornamental design of a razor handle is shown in FIGS. 1 through 8.  
The broken lines illustrate the environment of the razor handle and form no part of the claimed design.

**1 Claim, 5 Drawing Sheets**



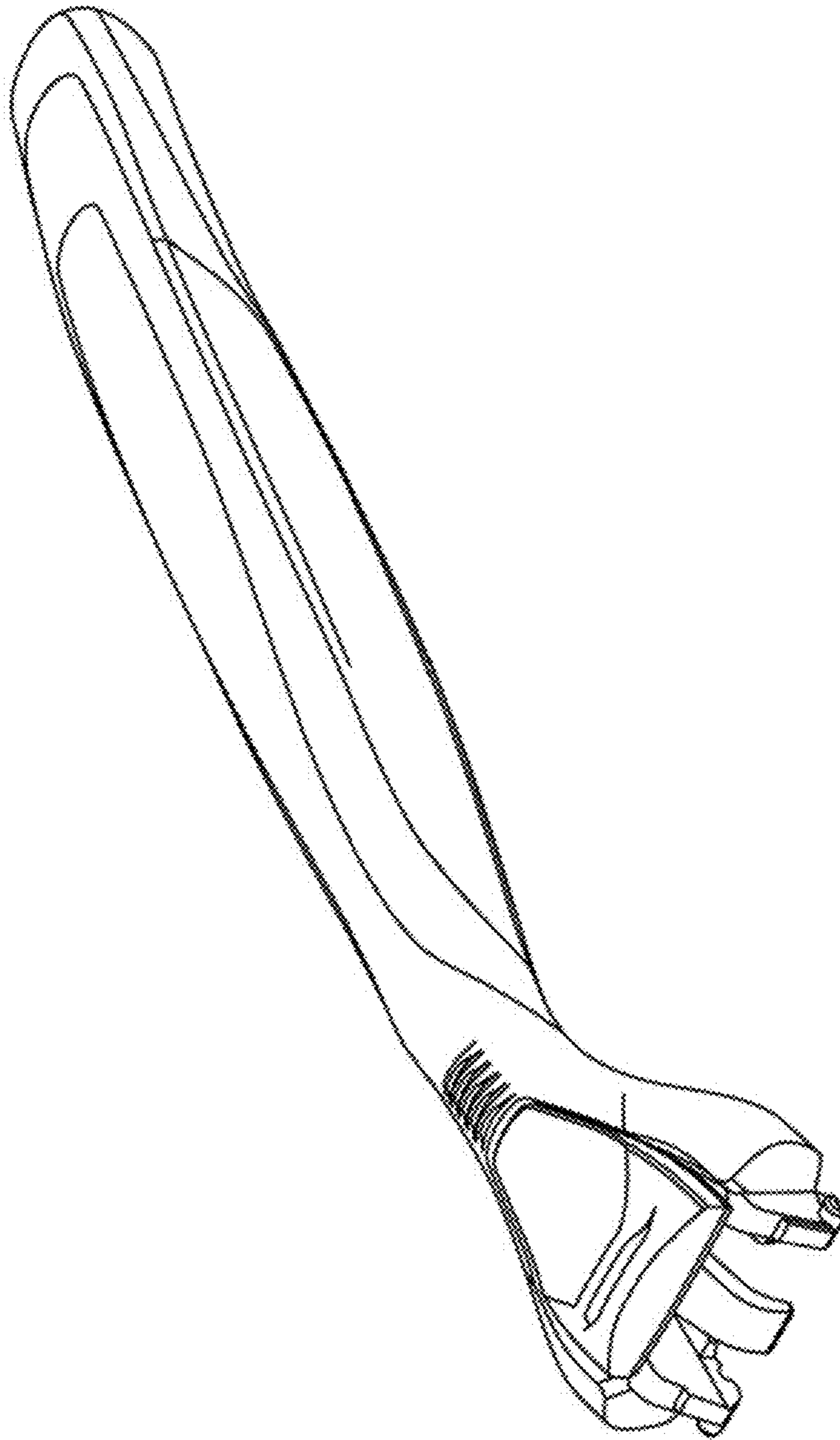


FIG. 1

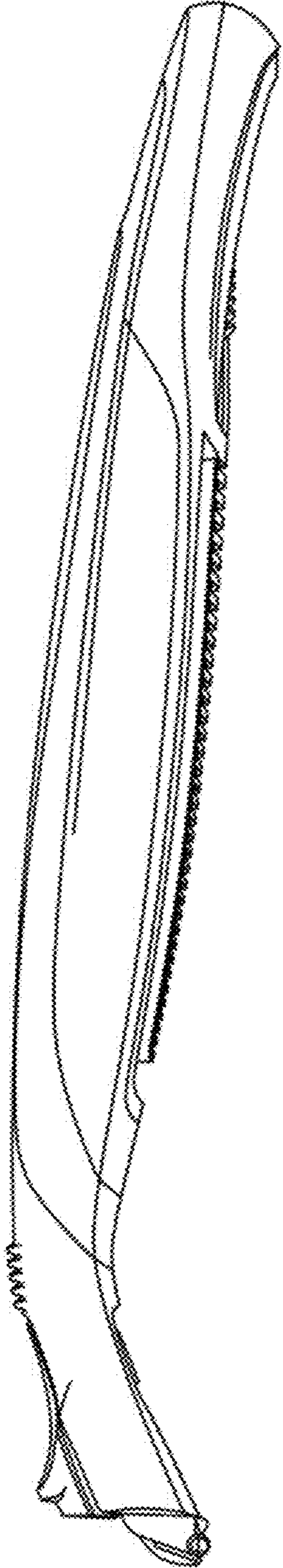


FIG. 2

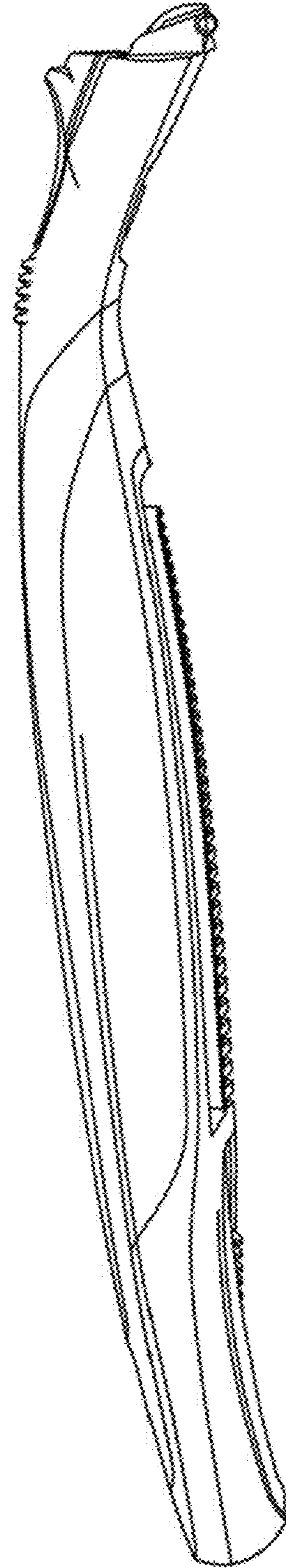


FIG. 3

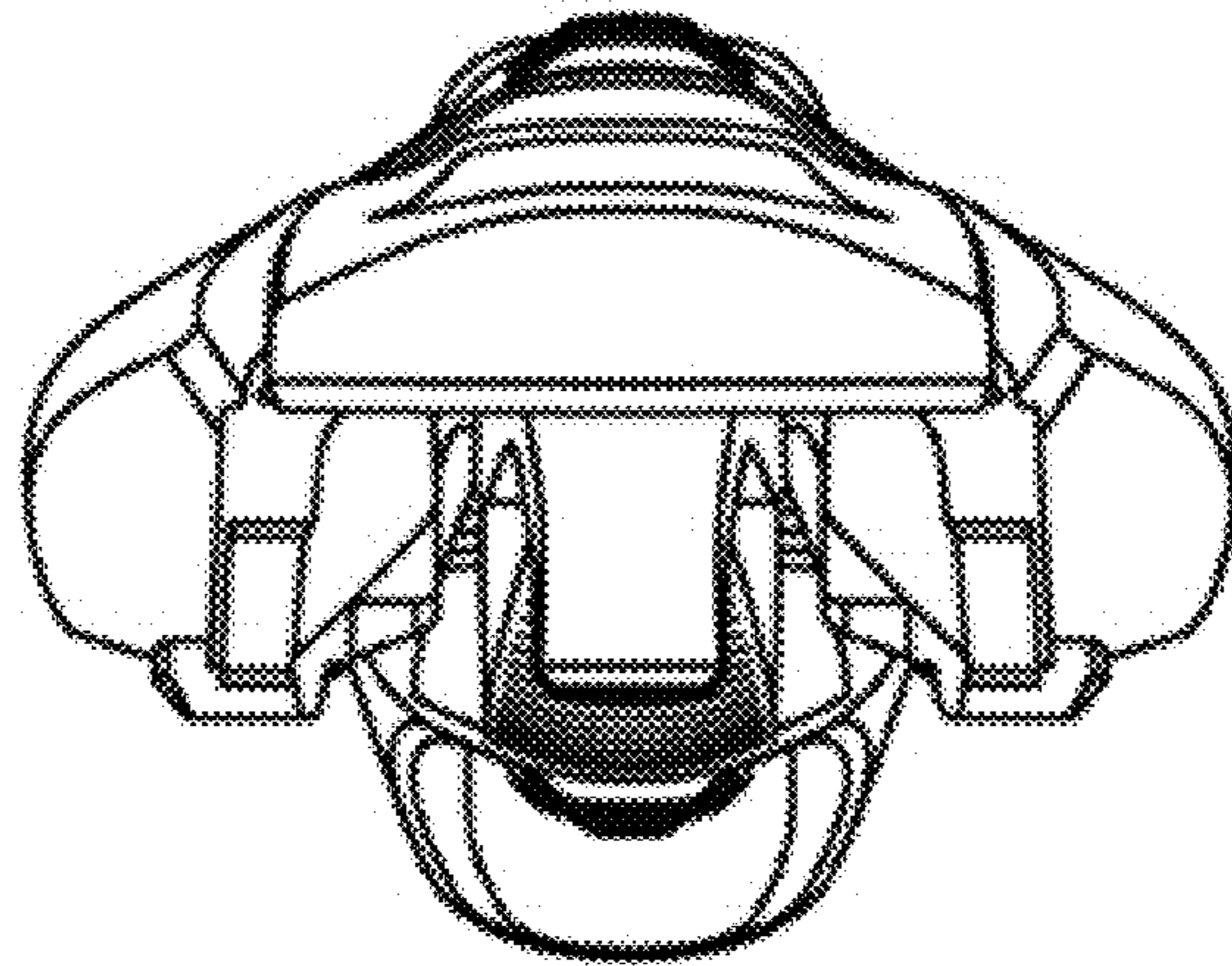


FIG. 4

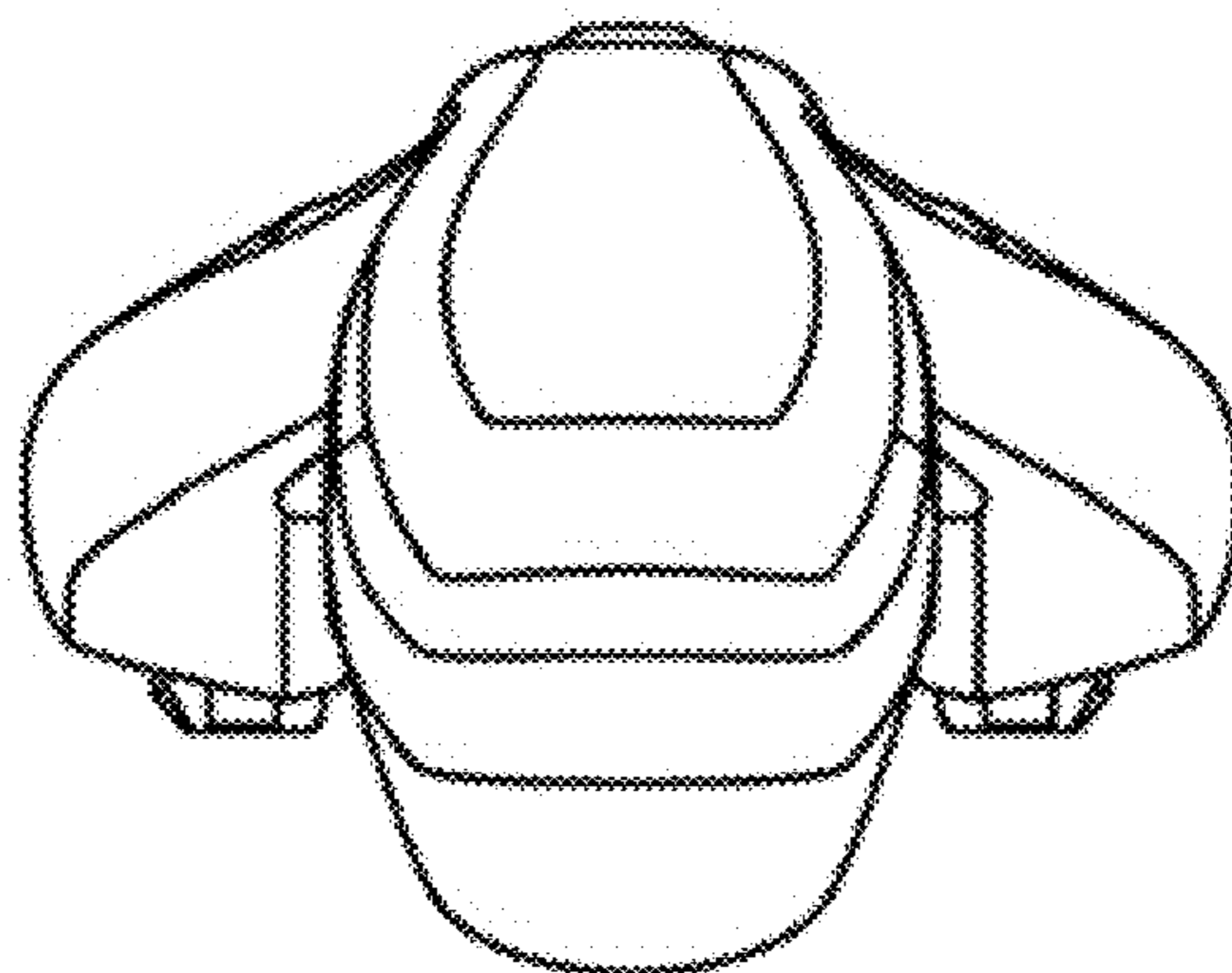


FIG. 5



FIG. 6

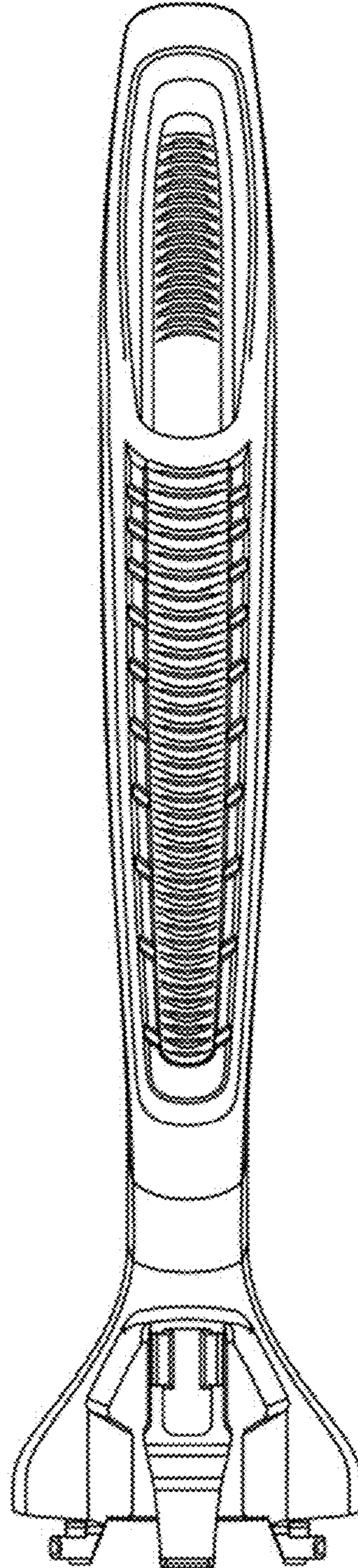


FIG. 7

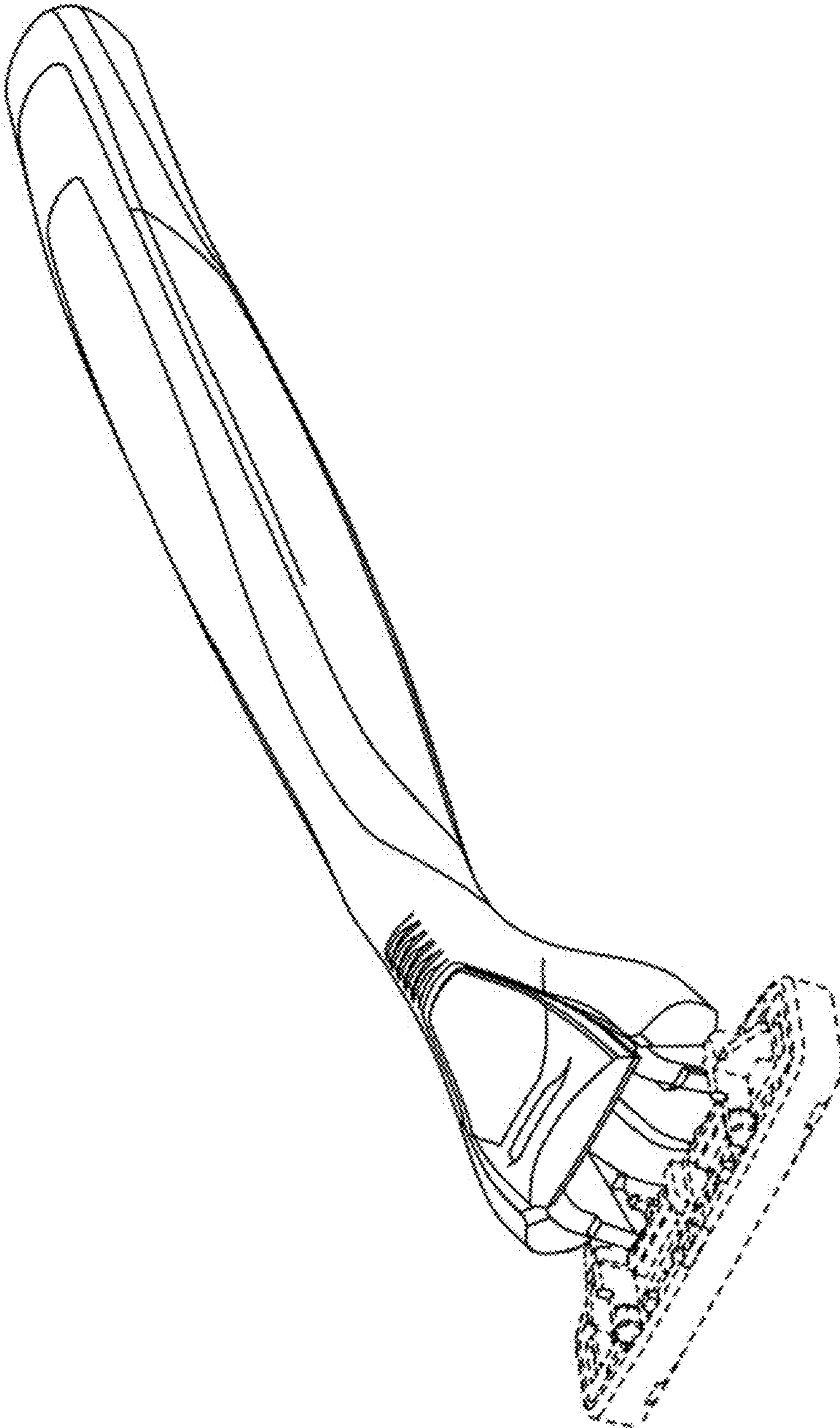


FIG. 8