



US00D827198S

(12) **United States Design Patent**
Abdul

(10) **Patent No.:** **US D827,198 S**
(45) **Date of Patent:** **** Aug. 28, 2018**

- (54) **DRYER BRUSH**
- (71) Applicant: **InvenTel Products, LLC**, Rockaway, NJ (US)
- (72) Inventor: **Yasir Abdul**, Kinnelon, NJ (US)
- (73) Assignee: **Inventel Products, LLC**, Rockaway, NJ (US)
- (**) Term: **15 Years**
- (21) Appl. No.: **29/601,277**
- (22) Filed: **Apr. 20, 2017**
- (51) **LOC (11) Cl.** **28-03**
- (52) **U.S. Cl.**
USPC **D28/13**
- (58) **Field of Classification Search**
USPC D28/12-19
CPC A45D 20/00; A45D 20/48; A45D 20/50;
A45D 20/52; A45D 20/525
See application file for complete search history.

7,194,316	B2 *	3/2007	Bousfield	A61N 1/322	433/29
D599,954	S *	9/2009	Michaels	D28/30	
D631,604	S *	1/2011	Michaels	D28/30	
D738,625	S *	9/2015	Julemont	D4/102	
D776,345	S *	1/2017	Tang	D28/13	
D800,454	S *	10/2017	Mathieu	D4/102	
2002/0077679	A1 *	6/2002	Lo	A61N 5/0617	607/90
2003/0093915	A1 *	5/2003	Pearl	A61N 5/0617	34/96

* cited by examiner

Primary Examiner — Zenia Bennett

(74) *Attorney, Agent, or Firm* — Janine D. Geraigery, Esq.

(57) **CLAIM**

The ornamental design for a dryer brush, as shown and described.

DESCRIPTION

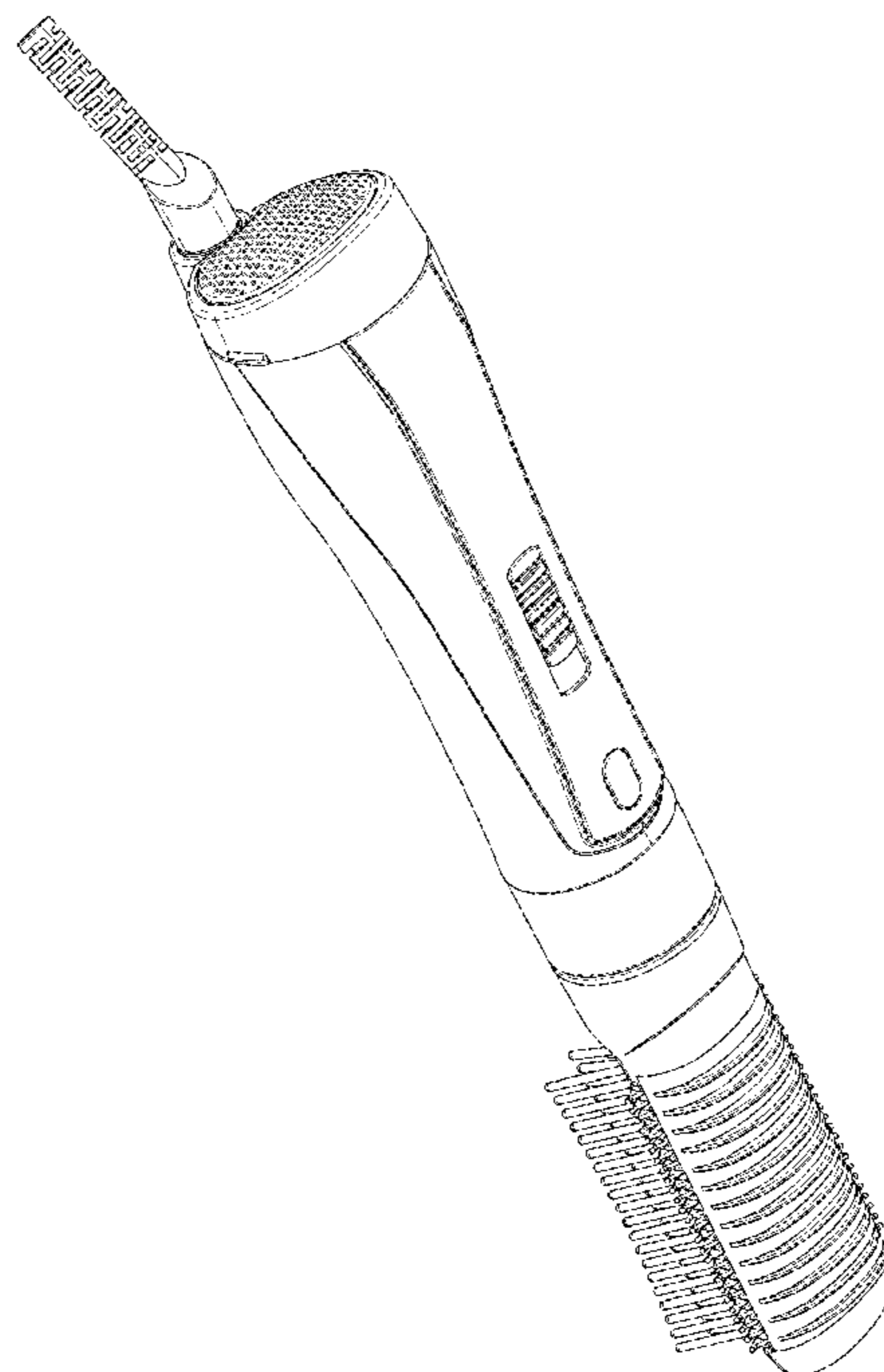
FIG. 1 is a perspective view of the present design; FIG. 2 is a front view of the present design; FIG. 3 is a rear view of the present design; FIG. 4 is a left side view of the present design; FIG. 5 is a right view of the present design; FIG. 6 is a top view of the present design; and FIG. 7 is a bottom view of the present design; FIG. 8 is an enlarged view of FIG. 4; and, FIG. 9 is an enlarged view of FIG. 5.

1 Claim, 9 Drawing Sheets

(56) **References Cited**

U.S. PATENT DOCUMENTS

3,696,818	A	10/1972	Weber	
4,197,608	A *	4/1980	Holley A45D 20/48
				132/118
D275,712	S	9/1984	Frey	
D339,210	S	9/1993	Classen	
D457,730	S	5/2002	McCurrach	
6,497,719	B2 *	12/2002	Pearl A61N 5/0617
				607/88
D476,443	S	6/2003	Ohta et al.	
D505,265	S *	5/2005	Lee D4/114
D519,674	S *	4/2006	Chu D28/7



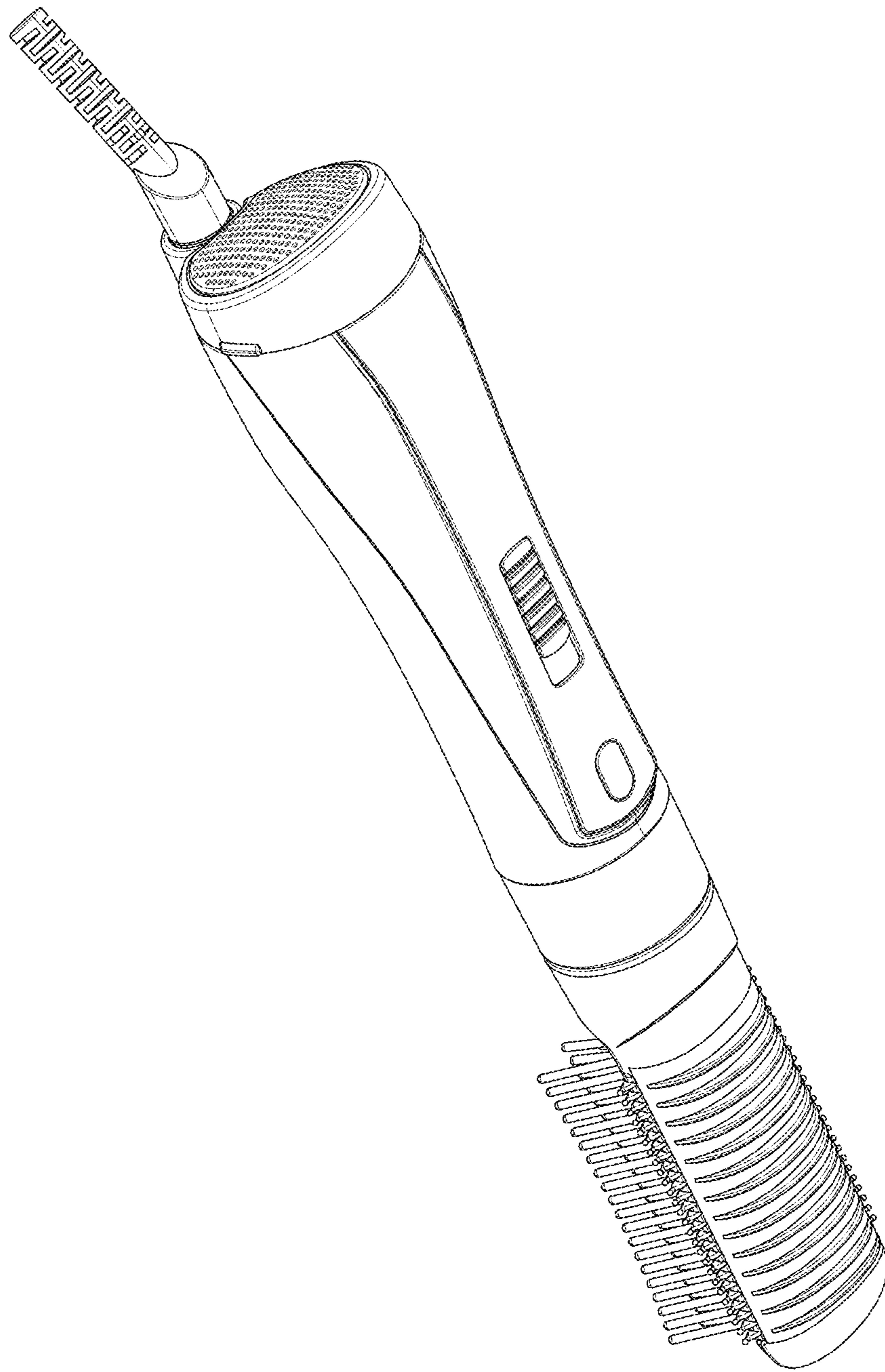


FIG. 1

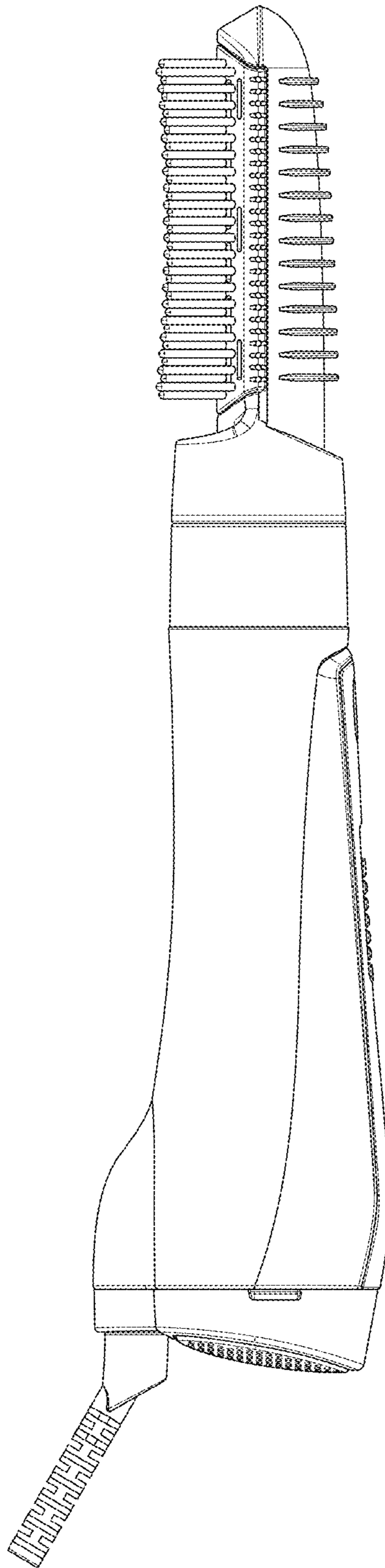


FIG. 2

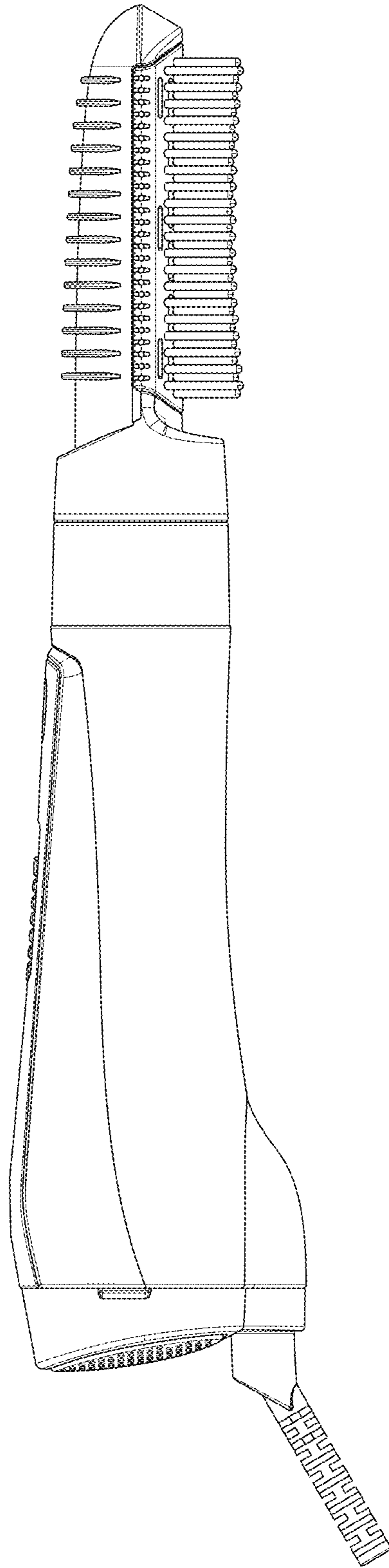


FIG. 3

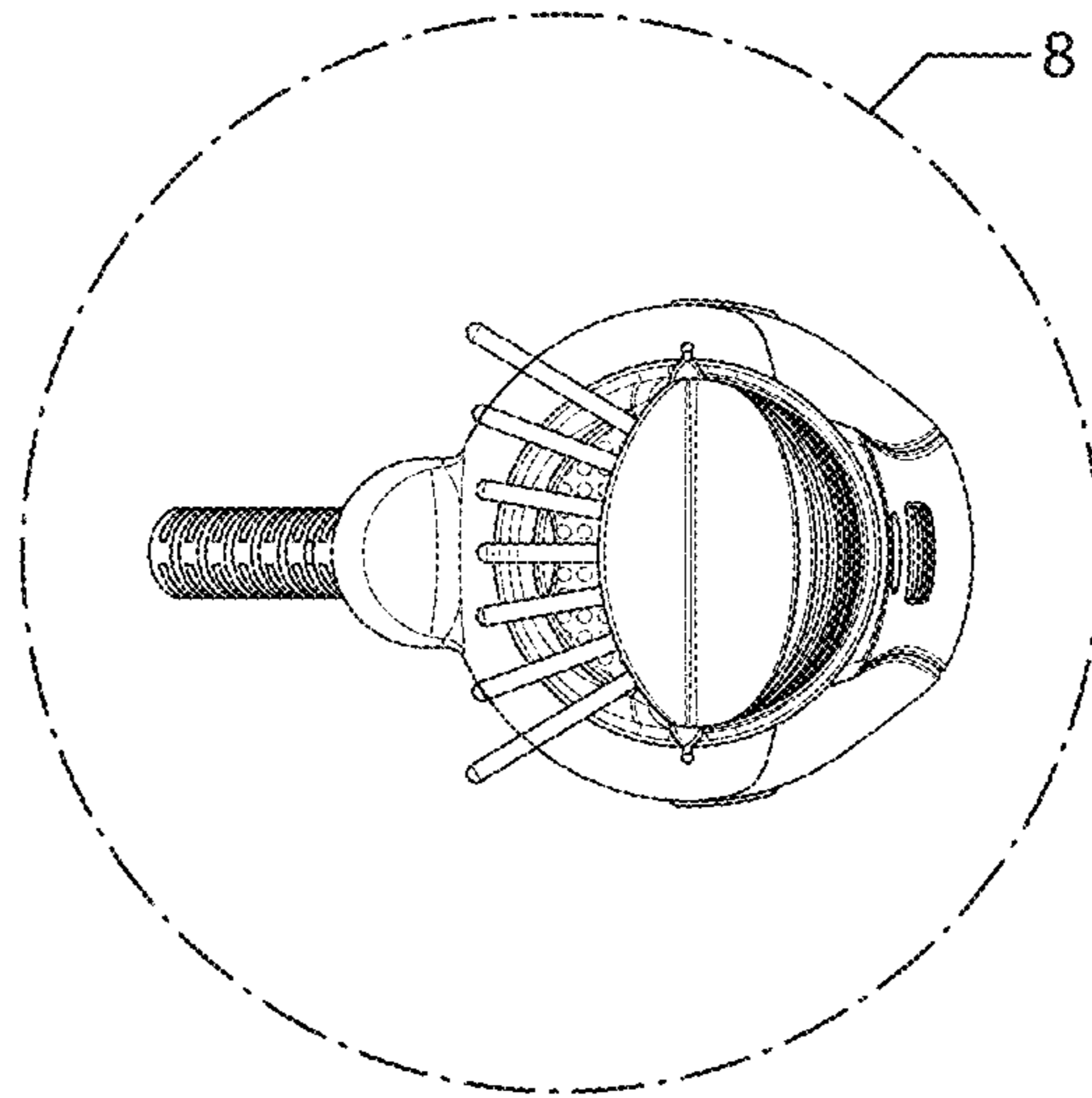


FIG. 4

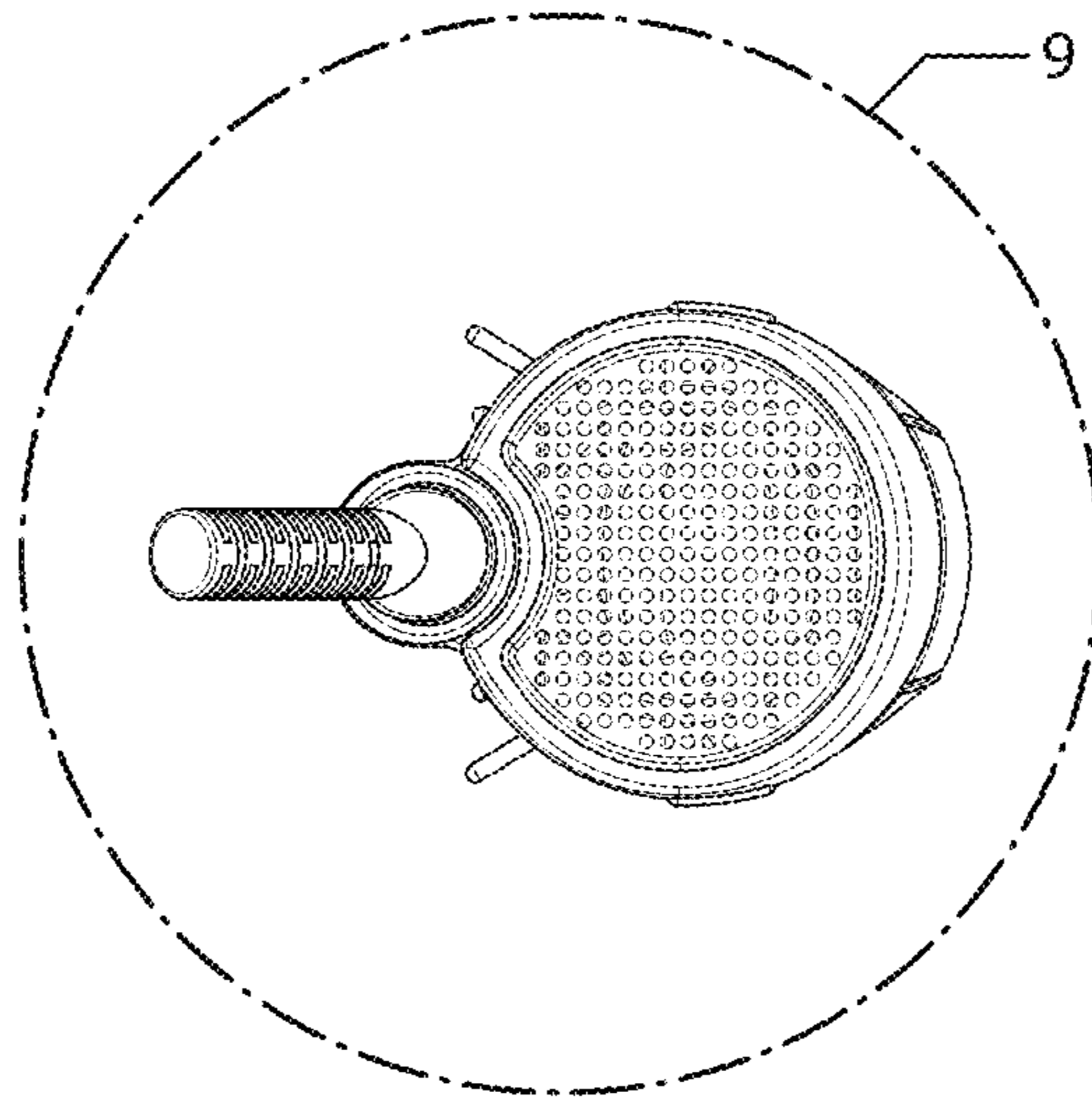


FIG. 5

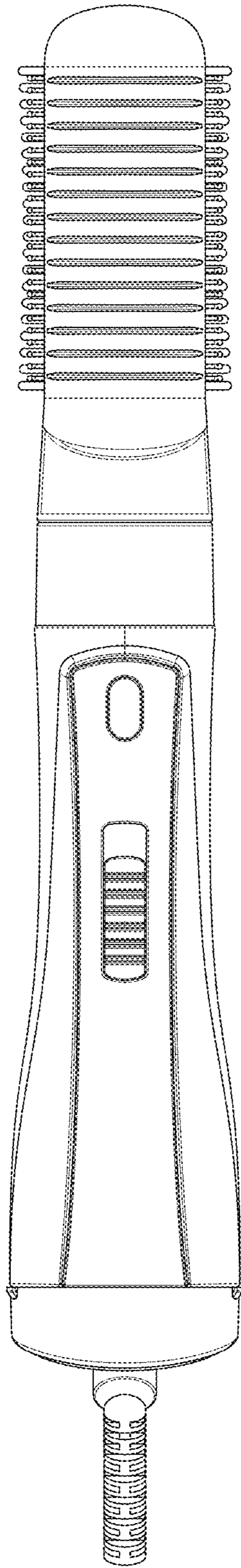


FIG. 6

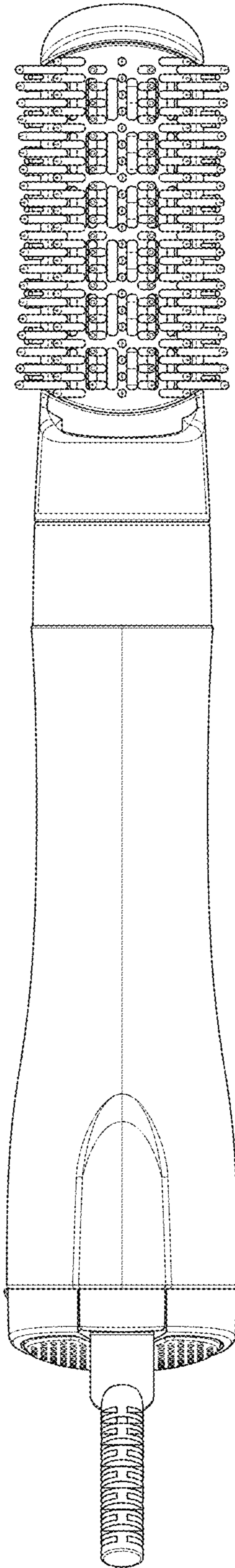


FIG. 7

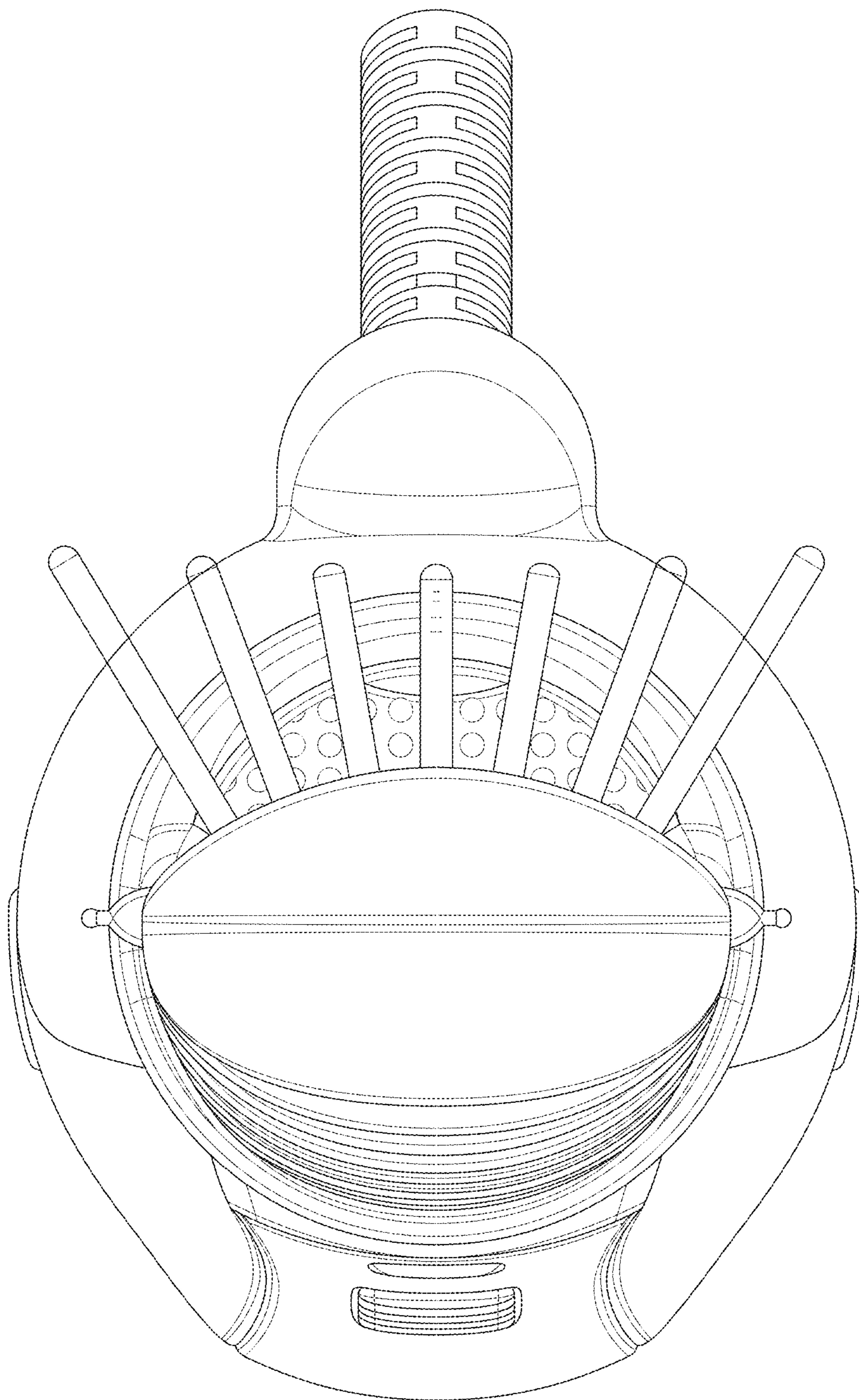


FIG. 8

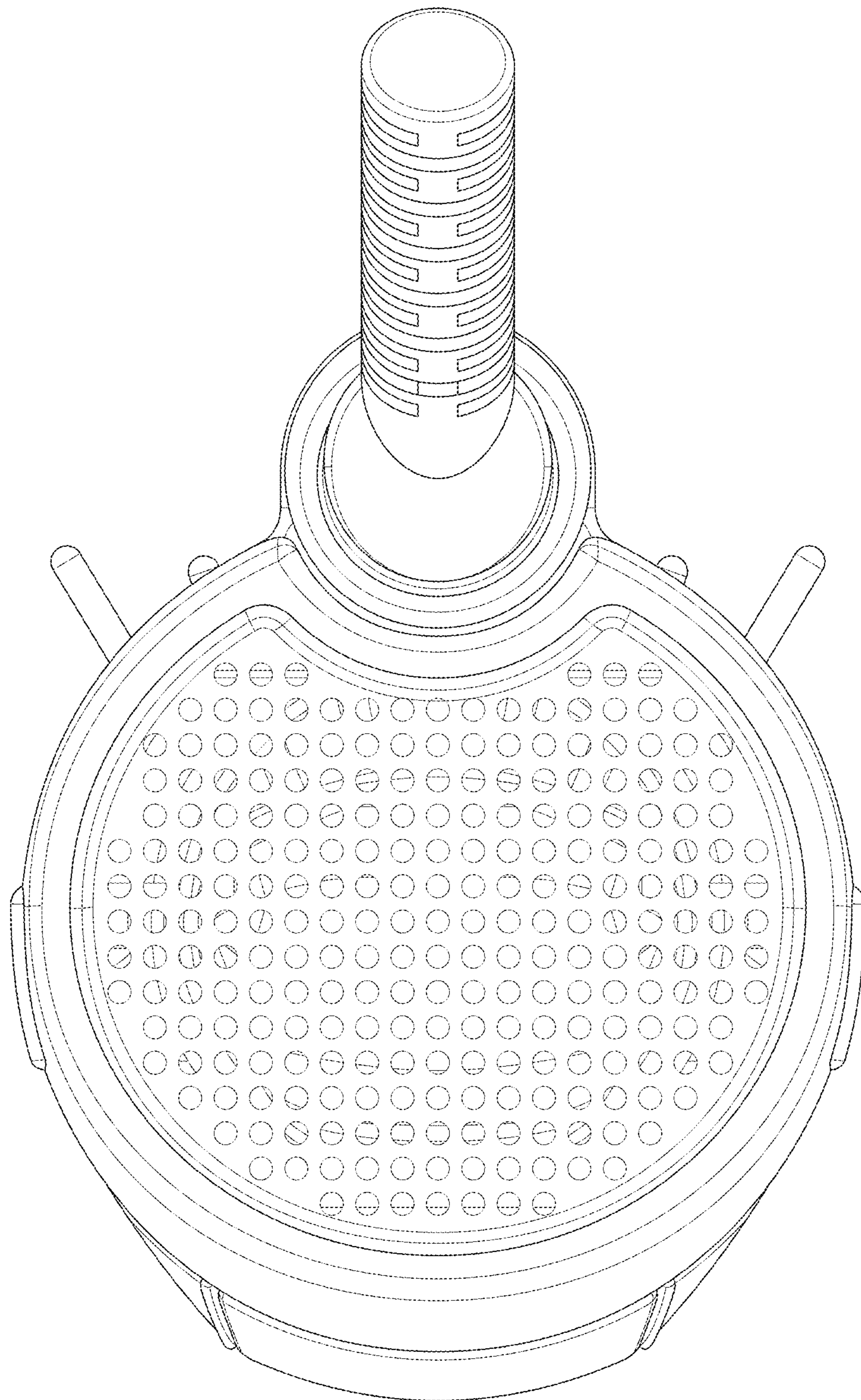


FIG. 9