



US00D827197S

(12) **United States Design Patent** (10) **Patent No.:** **US D827,197 S**
Ha et al. (45) **Date of Patent:** **** Aug. 28, 2018**

(54) **CAPSULE PACKAGING FOR DETERGENT FOR USE WITH WASHING MACHINES**

(71) Applicant: **LG ELECTRONICS INC.**, Seoul (KR)
(72) Inventors: **Youngsoo Ha**, Seoul (KR); **Eunyoung Chee**, Seoul (KR); **Jaeil Bae**, Seoul (KR)
(73) Assignee: **LG ELECTRONICS INC.**, Seoul (KR)

(**) Term: **15 Years**

(21) Appl. No.: **35/502,980**

(22) Filed: **Nov. 15, 2016**

(80) **Hague Agreement Data**

Int. Filing Date: **Nov. 15, 2016**
Int. Reg. No.: **DM/093612**
Int. Reg. Date: **Nov. 15, 2016**
Int. Reg. Pub. Date: **May 19, 2017**

(30) **Foreign Application Priority Data**

Jun. 8, 2016 (KR) 30-2016-0027631

(51) **LOC (11) Cl.** **28-03**

(52) **U.S. Cl.**
USPC **D28/8.1**

(58) **Field of Classification Search**
USPC D28/4, 8.1, 8.2; D9/435, 439, 440, 443, D9/445, 447, 449, 452, 453, 454, 499, D9/520, 558, 705, 708, 709, 710; D32/29.1
CPC C11D 17/045; C11D 17/0017; C11D 17/0026; B65B 47/00; B65B 9/042; B65D 65/46; B65D 81/3261

See application file for complete search history.

(56) **References Cited**

U.S. PATENT DOCUMENTS

D300,264	S	*	3/1989	Rhoa	D24/102
D368,656	S	*	4/1996	Campbell-Scott	D9/430
D537,201	S	*	2/2007	McLeish	D28/8.1
D565,244	S	*	3/2008	Schwartz	D28/8.1
8,152,587	B1	*	4/2012	Brown	A63H 3/02 206/216
D759,891	S	*	6/2016	Sarb	D28/8.1
D768,923	S	*	10/2016	Dietvorst	D28/8.1
D774,249	S	*	12/2016	McLenithan	D28/8.1
D779,727	S	*	2/2017	Johnson	D28/8.1
D789,602	S	*	6/2017	Rigobert	D28/8.1
D809,201	S	*	1/2018	Reda	D28/8.1
D809,710	S	*	2/2018	Reda	D28/8.1
2015/0136637	A1	*	5/2015	Meier	B65D 65/46 206/524.7
2017/0057716	A1	*	3/2017	Fowler	B65D 65/46

* cited by examiner

Primary Examiner — Melanie H Tung
Assistant Examiner — Bao-Yen T Nguyen
(74) *Attorney, Agent, or Firm* — Birch, Stewart, Kolasch & Birch, LLP

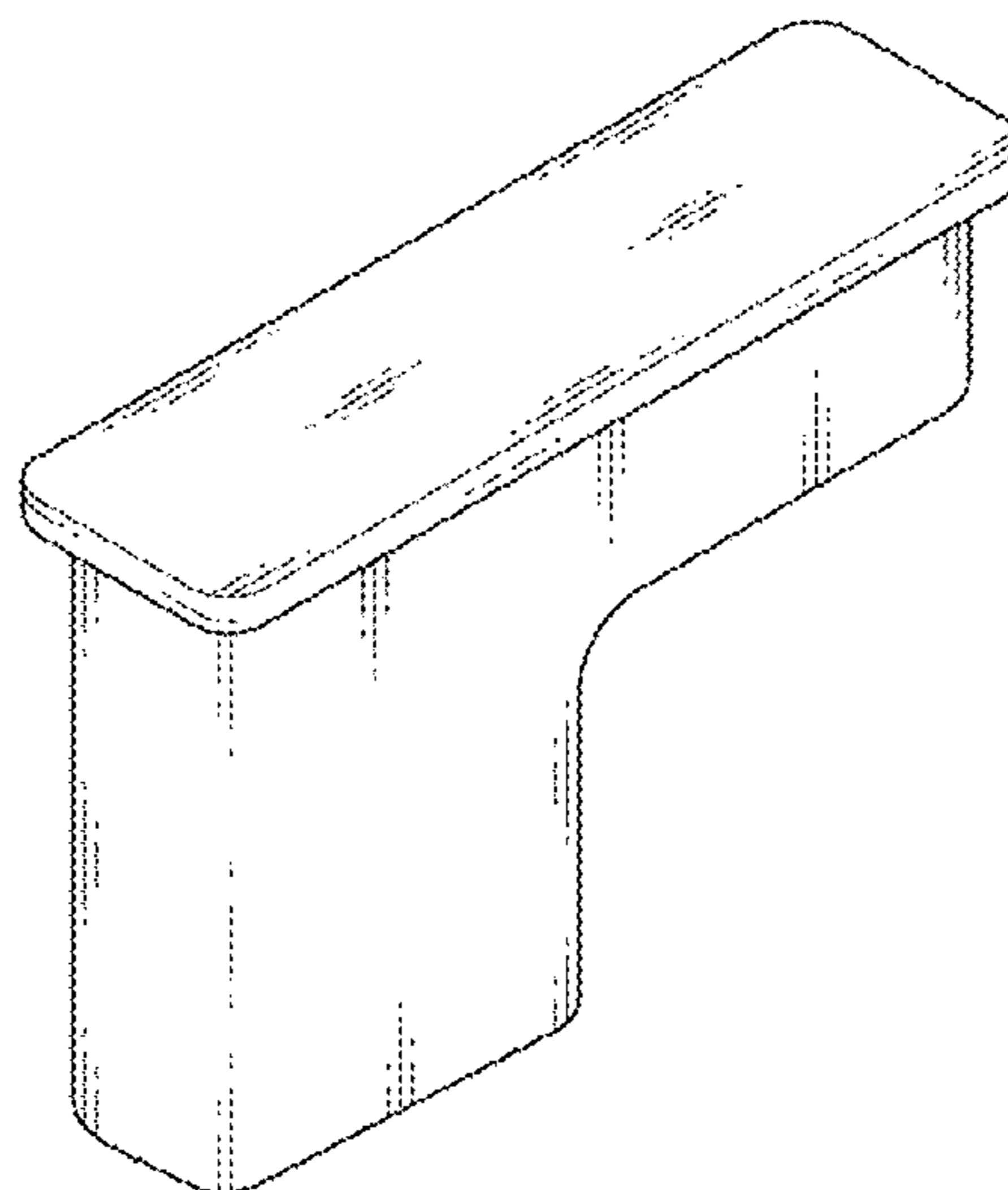
(57) **CLAIM**

The ornamental design for a capsule packaging for detergent for use with washing machines, as shown and described.

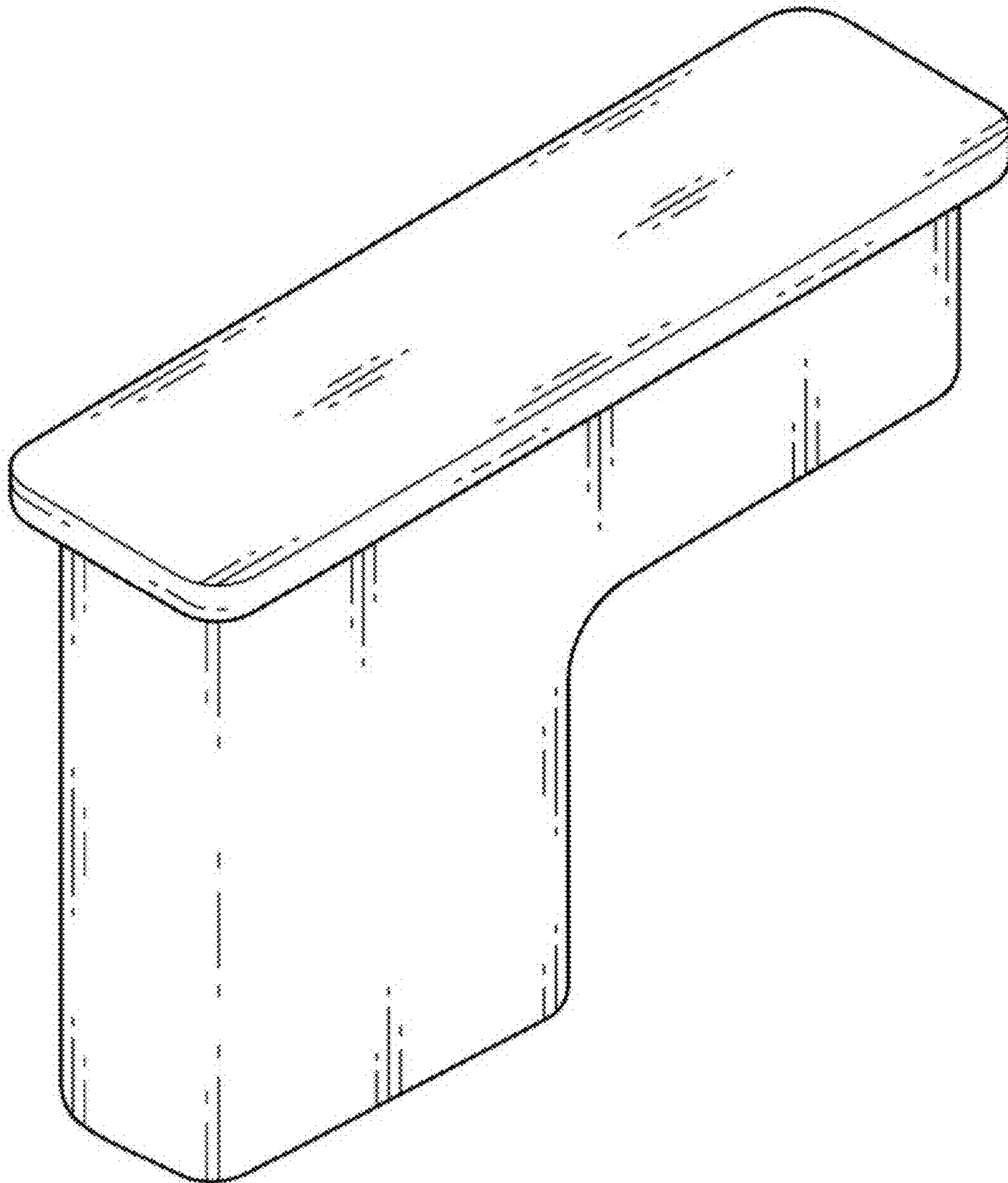
DESCRIPTION

1. Capsule packaging for detergent for use with washing machines
- 1.1 is a perspective view.
- 1.2 is a left side view.
- 1.3 is a right side view.
- 1.4 is a front view.
- 1.5 is a back view.
- 1.6 is a top view
- 1.7 is a bottom view.

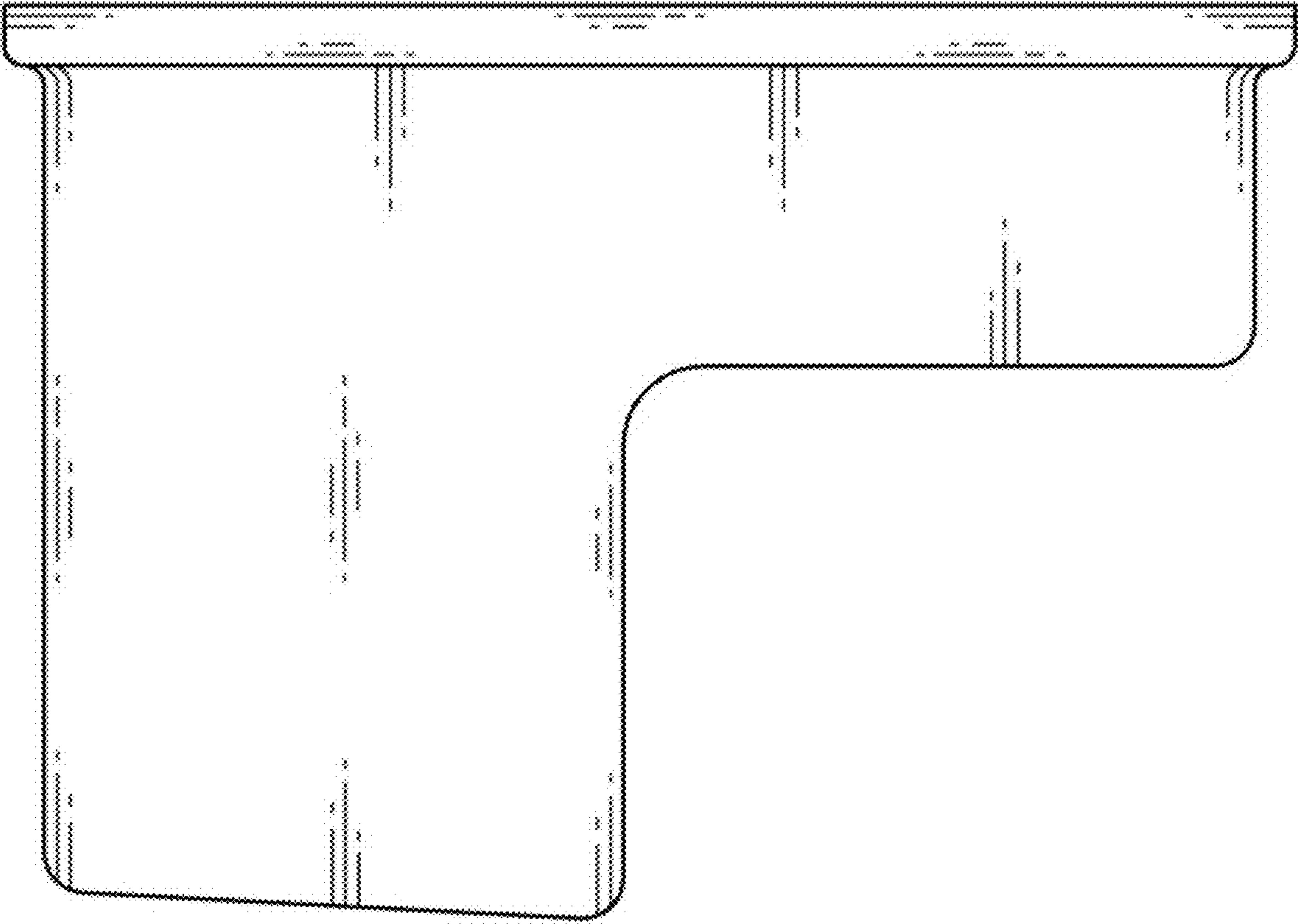
1 Claim, 7 Drawing Sheets



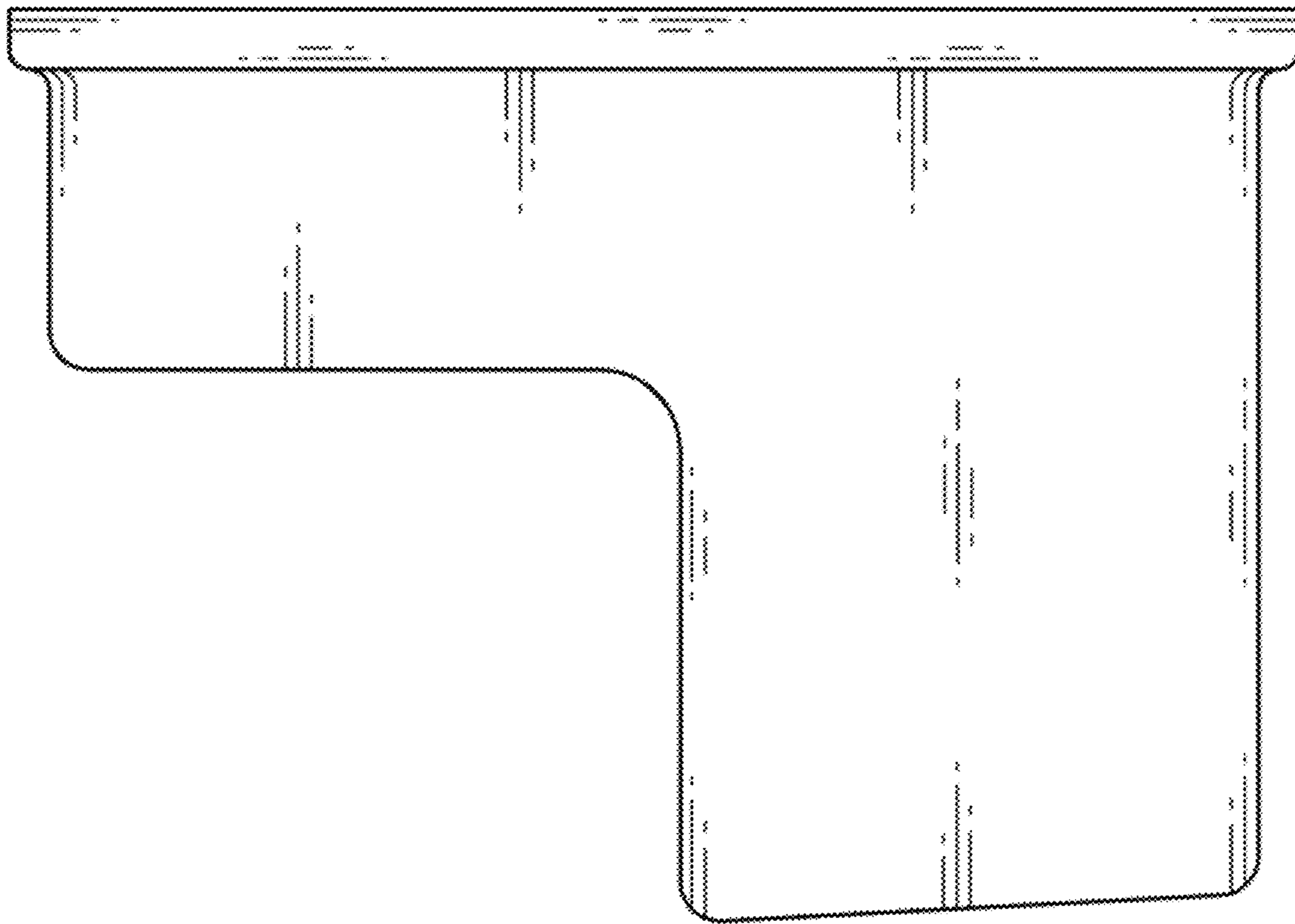
1.1



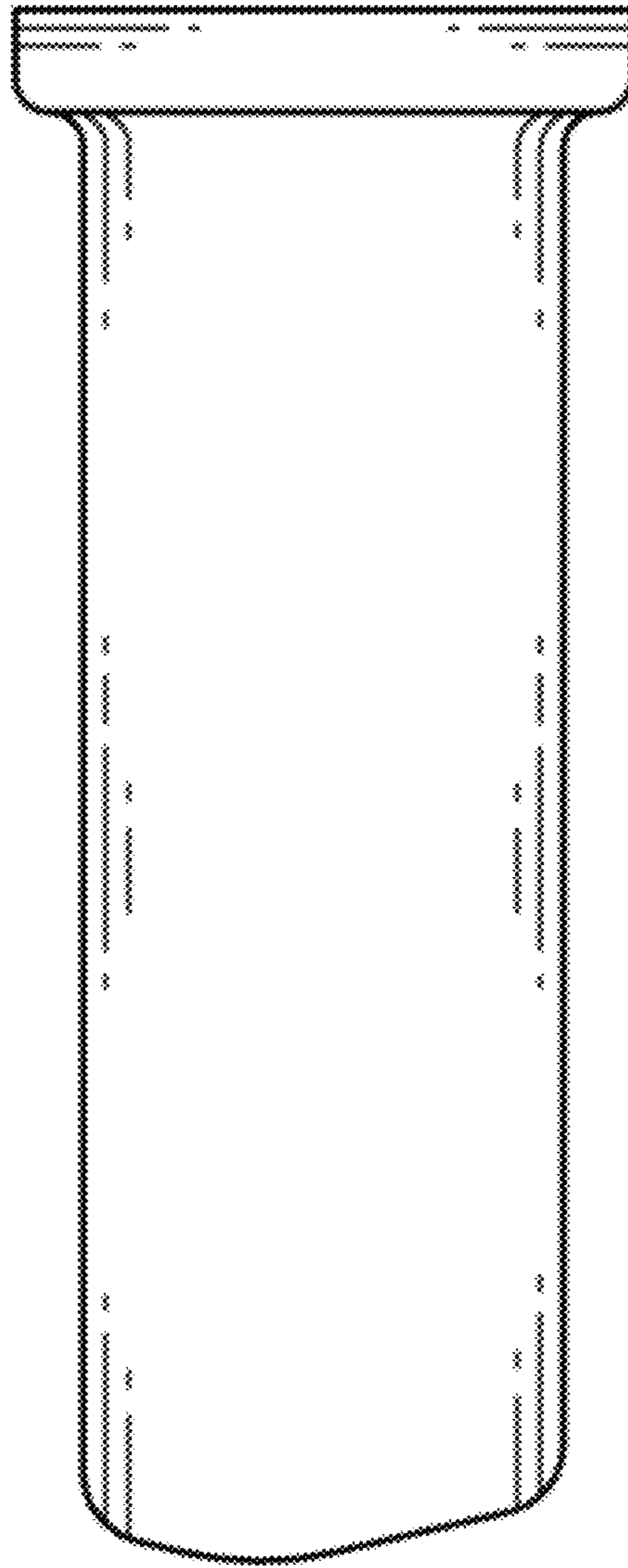
1.2



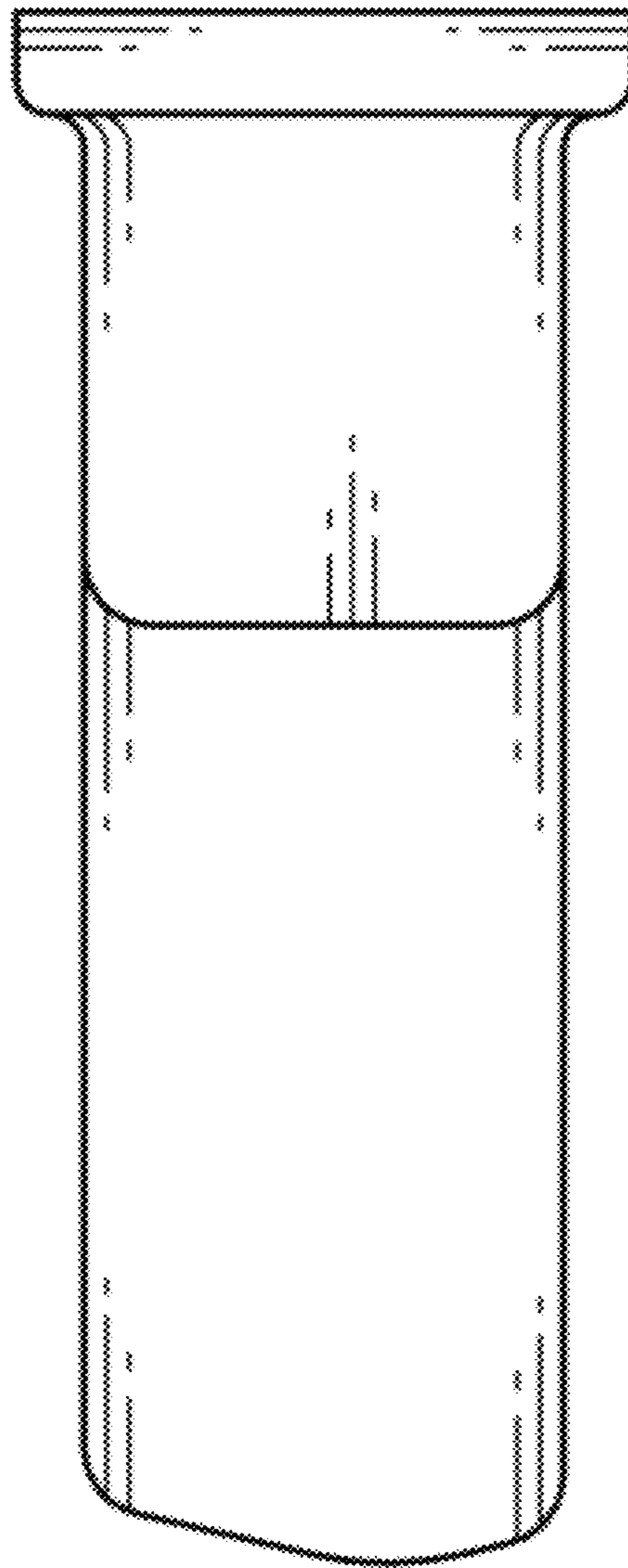
1.3



1.4



1.5



1.6



1.7

