



US00D827195S

(12) **United States Design Patent**
Chen

(10) **Patent No.:** **US D827,195 S**

(45) **Date of Patent:** **** Aug. 28, 2018**

(54) **ELECTRONIC CIGARETTE**
(71) Applicant: **SHENZHEN SMOORE TECHNOLOGY LIMITED**, Shenzhen (CN)
(72) Inventor: **Zhiping Chen**, Shenzhen (CN)
(73) Assignee: **SHENZHEN SMOORE TECHNOLOGY LIMITED**, Shenzhen (CN)

D732,733 S * 6/2015 Spagnolo D27/101
D758,651 S * 6/2016 Wu D27/101
D762,001 S * 7/2016 Liu D27/101
D776,337 S * 1/2017 Levin D27/101
D779,719 S * 2/2017 Qiu D27/101
D792,643 S * 7/2017 Wong D27/101
D799,110 S * 10/2017 Qiu D27/101
D799,112 S * 10/2017 Qiu D27/101
D799,113 S * 10/2017 Qiu D27/101
D806,310 S * 12/2017 McGarry D27/101
D815,341 S * 4/2018 Qiu D27/101
D818,636 S * 5/2018 Qiu D27/101

(**) Term: **15 Years**

* cited by examiner

(21) Appl. No.: **29/617,277**

Primary Examiner — Susan Bennett Hattan

(22) Filed: **Sep. 13, 2017**

Assistant Examiner — Rebecca Tsehaye

(30) **Foreign Application Priority Data**

(74) *Attorney, Agent, or Firm* — Ladas & Parry LLP

Mar. 16, 2017 (CN) 2017 3 0077750

(51) **LOC (11) Cl.** **27-01**

(52) **U.S. Cl.**
USPC **D27/101**

(58) **Field of Classification Search**
USPC D27/100, 101, 106, 108, 161, 162, 163,
D27/165-172, 174, 175, 183, 186-190,
D27/193, 194, 195, 131, 141, 142, 152,
D27/153, 160; D24/110; 131/273, 274,
131/191, 330, 329, 328; 128/202.21,
128/203.12
CPC A24F 47/002; A24F 47/004; A24F 47/006;
A24F 47/008; A61M 15/06
See application file for complete search history.

(57) **CLAIM**

The ornamental design for an electronic cigarette, as shown and described.

(56) **References Cited**

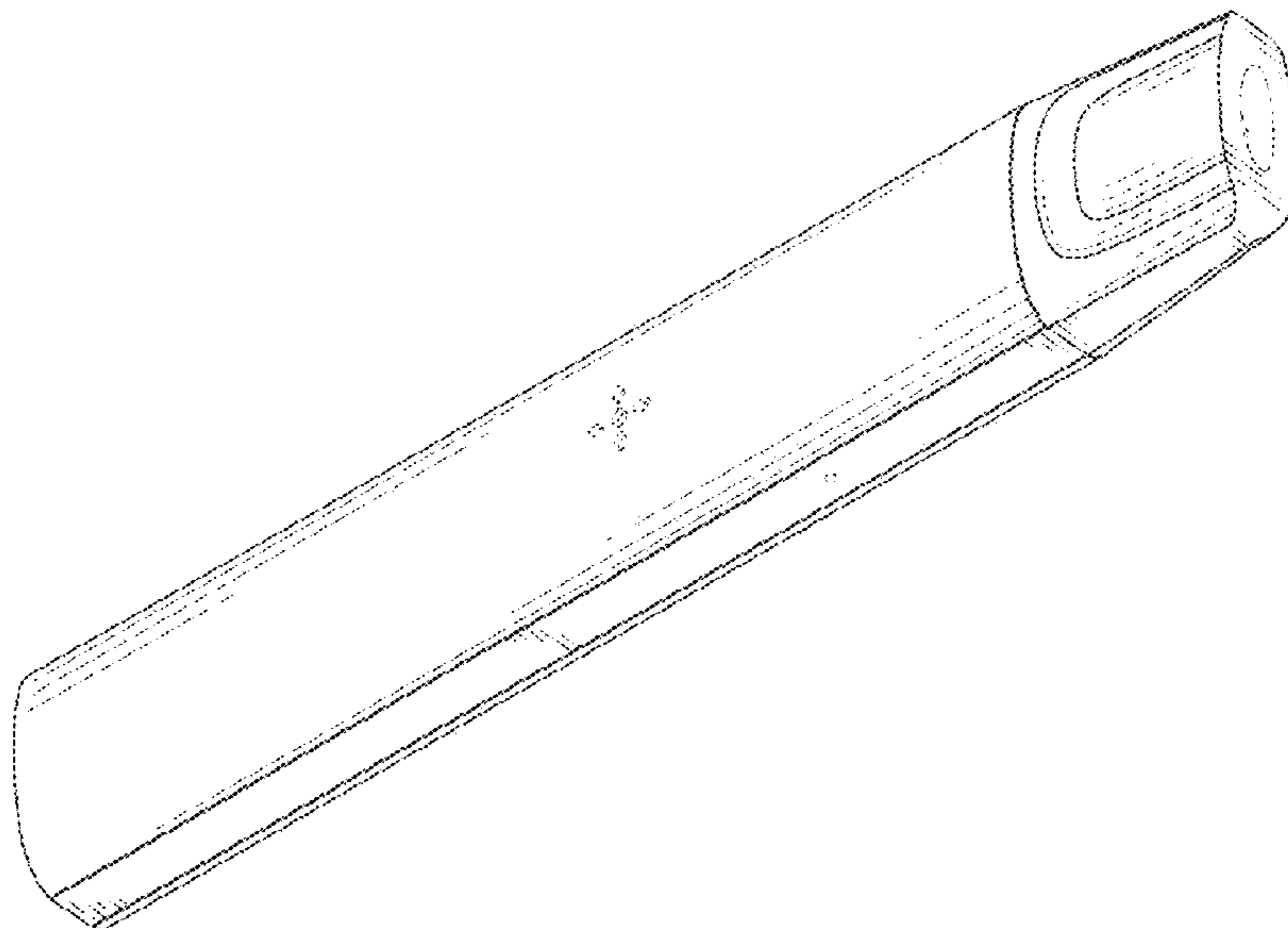
U.S. PATENT DOCUMENTS

D725,821 S * 3/2015 Levin D27/101
D727,564 S * 4/2015 LaForge D27/101

DESCRIPTION

FIG. 1 is a perspective view of an electronic cigarette showing my new design;
FIG. 2 is a front elevational view thereof;
FIG. 3 is a rear elevational view thereof;
FIG. 4 is a left side elevational view thereof;
FIG. 5 is a right side elevational view thereof;
FIG. 6 is a top plan view thereof; and,
FIG. 7 is a bottom plan view thereof.
The broken lines in the drawings depict portions of the electronic cigarette that form no part of the claimed design.

1 Claim, 7 Drawing Sheets



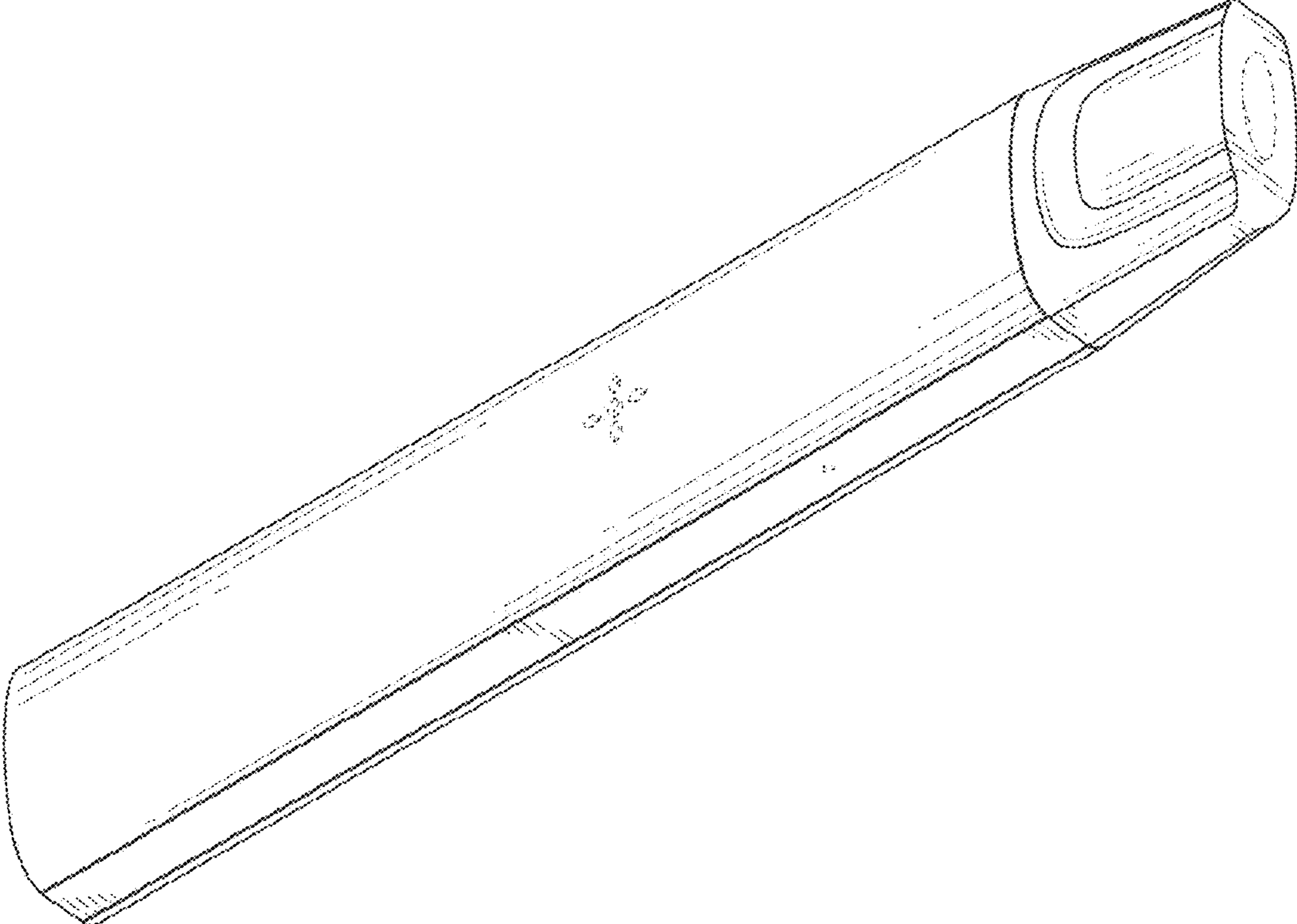


FIG. 1

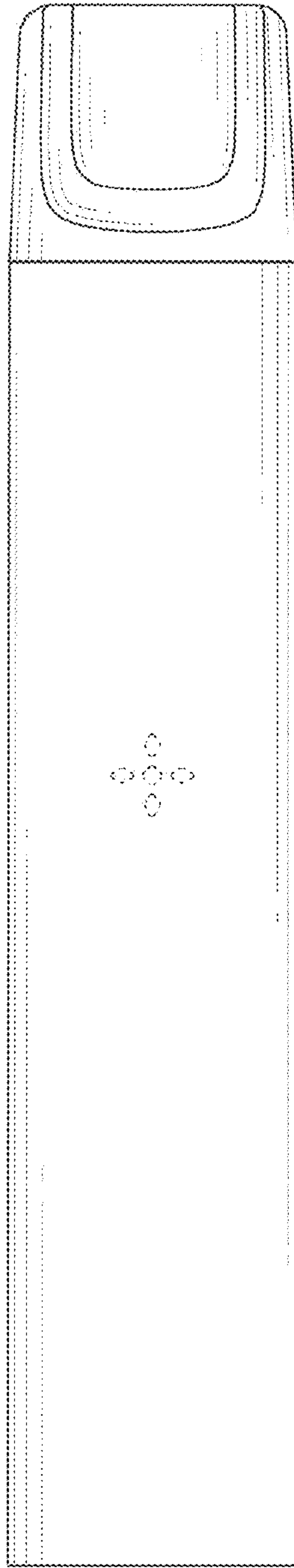


FIG. 2

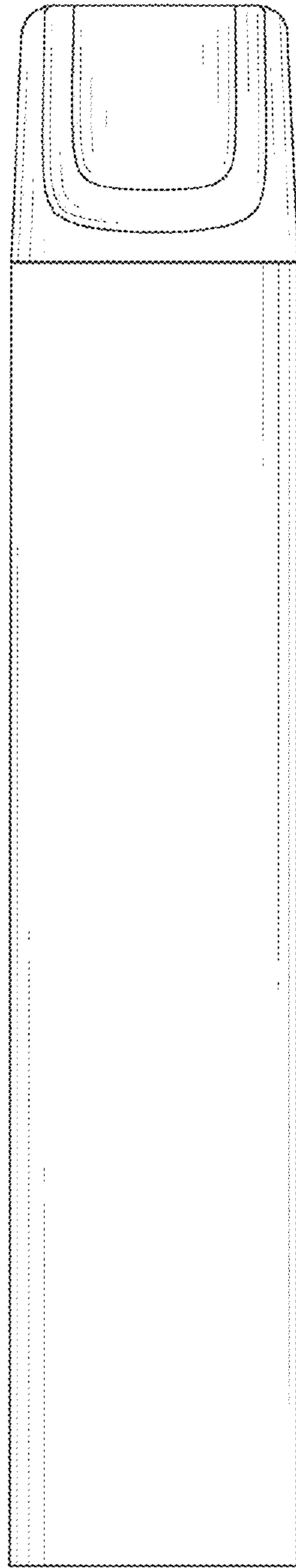


FIG. 3

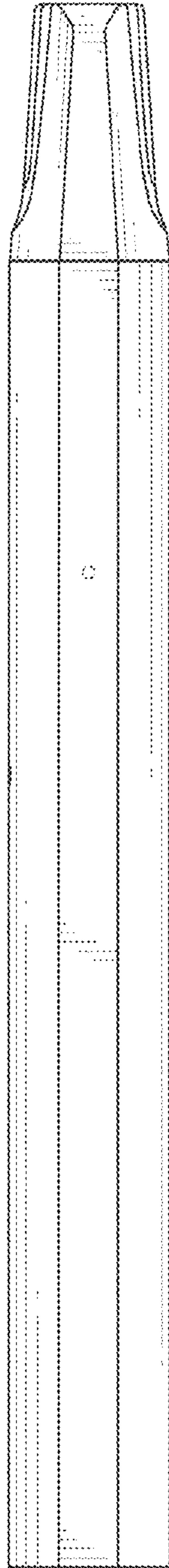


FIG. 4

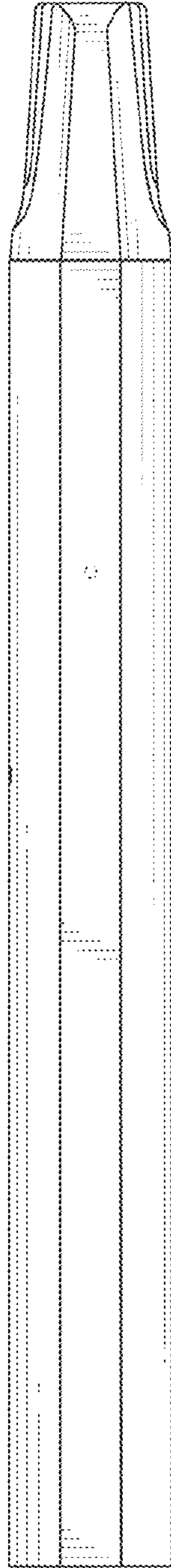


FIG. 5

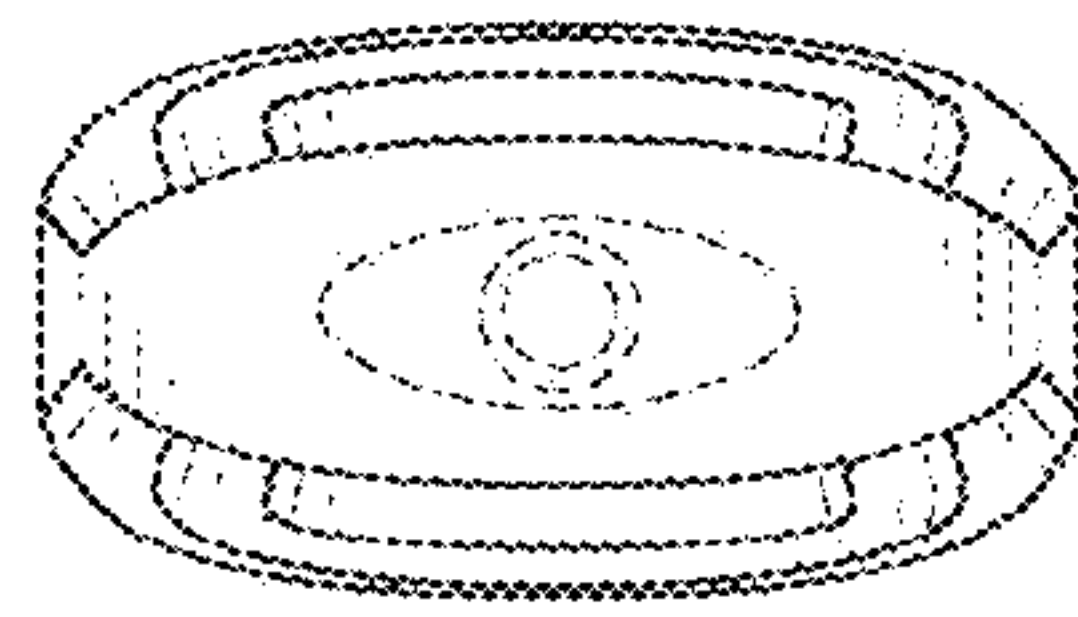


FIG. 6

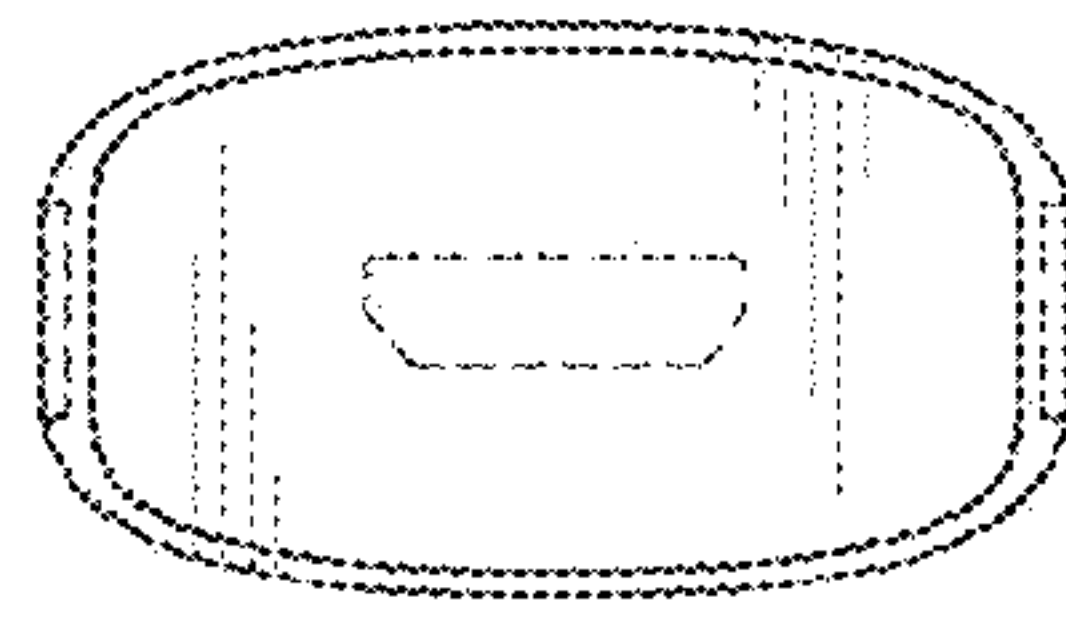


FIG. 7