



US00D827188S

(12) **United States Design Patent** (10) **Patent No.:** **US D827,188 S**
Sonneman (45) **Date of Patent:** **** Aug. 28, 2018**

(54) **LIGHT FIXTURE**
(71) Applicant: **Robert A. Sonneman**, Mamaroneck, NY (US)
(72) Inventor: **Robert A. Sonneman**, Mamaroneck, NY (US)
(73) Assignee: **CONTEMPORARY VISIONS, LLC**, Larchmont, NY (US)
(**) Term: **15 Years**
(21) Appl. No.: **29/630,205**
(22) Filed: **Dec. 20, 2017**
(51) **LOC (11) Cl.** **26-03**
(52) **U.S. Cl.**
USPC **D26/90**
(58) **Field of Classification Search**
USPC ... D26/3, 26, 72, 75, 76, 78, 80, 81, 82, 84, D26/86, 88, 90, 91, 113
CPC .. F21S 2/005; F21S 4/002; F21S 4/008; F21S 8/031; F21S 8/038; F21S 8/04; F21S 8/043; F21S 8/046; F21S 8/06; F21S 8/061; F21S 8/063; F21S 8/065; F21S 8/066; F21S 8/068
See application file for complete search history.

(56) **References Cited**
U.S. PATENT DOCUMENTS
D139,670 S * 12/1944 Lippincott D26/76
D584,848 S * 1/2009 Menke D26/76
D762,911 S * 8/2016 Blum D26/88
D763,496 S * 8/2016 Tran D26/88
D773,101 S * 11/2016 Sonnennan D26/88
D786,483 S 5/2017 Sonneman

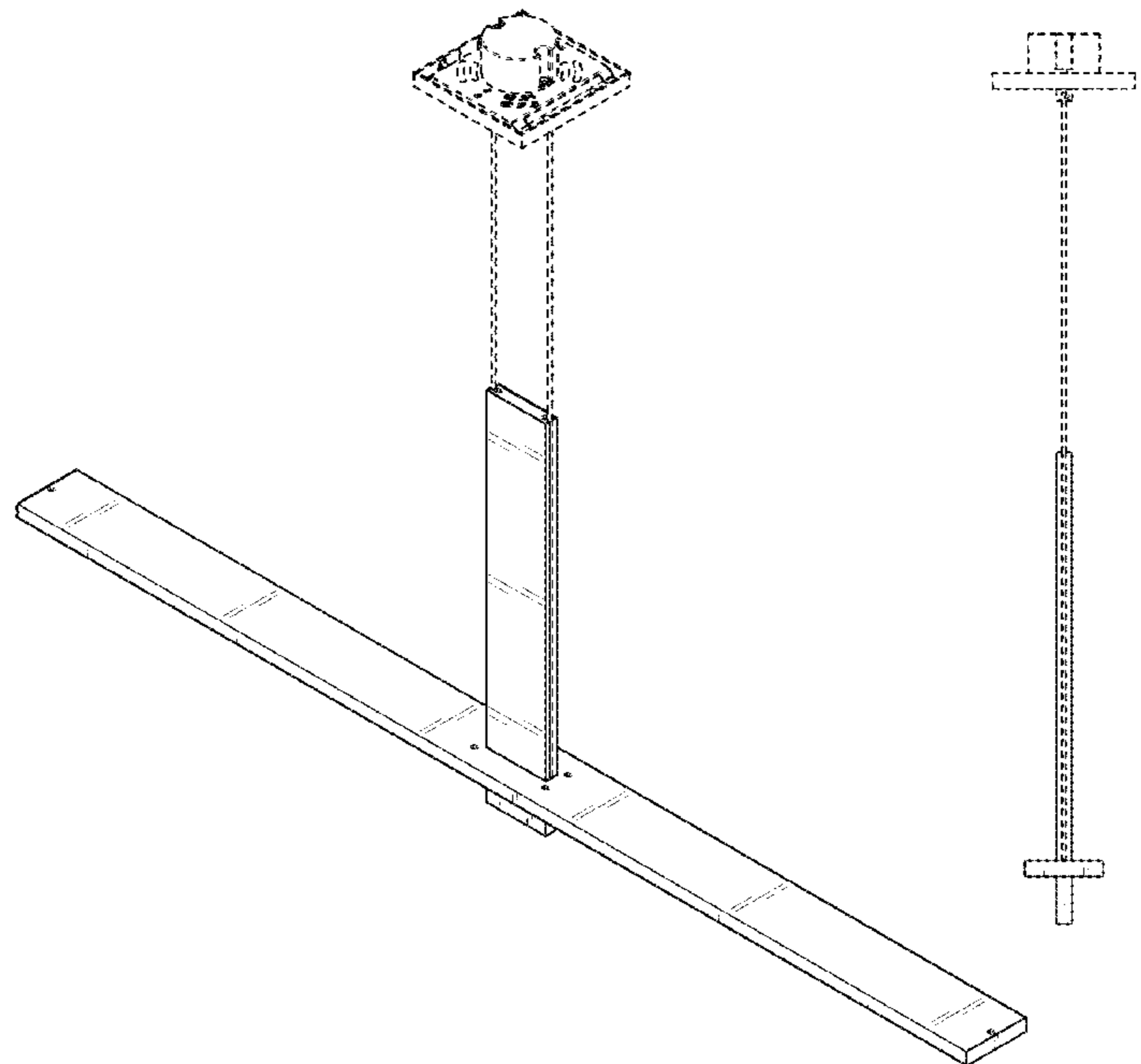
2005/0180131 A1* 8/2005 Grimmeisen F21S 8/06 362/221
2006/0098444 A1* 5/2006 Petruzzi F21S 8/06 362/404
2011/0051416 A1* 3/2011 Verbrugh G02B 6/0021 362/235
2011/0063838 A1* 3/2011 Dau F21S 8/04 362/235
2013/0107519 A1* 5/2013 Kim F21V 3/0625 362/235
2015/0338037 A1* 11/2015 Wang F21V 21/34 362/217.14
2017/0074495 A1* 3/2017 Skergeth F21V 15/01
2017/0254493 A1* 9/2017 Giorgini F21S 8/061

* cited by examiner
Primary Examiner — Clare E Hefflin
(74) *Attorney, Agent, or Firm* — Gottlieb, Rackman & Reisman, P.C.

(57) **CLAIM**
The ornamental design for a light fixture, as shown and described.

DESCRIPTION
FIG. 1 is a perspective view of a light fixture showing my new design;
FIG. 2 is a front elevational view thereof;
FIG. 3 is a rear elevational view thereof;
FIG. 4 is a right side elevational view thereof;
FIG. 5 is a left side elevational view thereof;
FIG. 6 is a top plan view thereof; and,
FIG. 7 is a bottom plan view thereof.
The broken lines shown in the drawings are included for the purpose of illustrating portions of the light fixture that form no part of the claimed design.

1 Claim, 7 Drawing Sheets



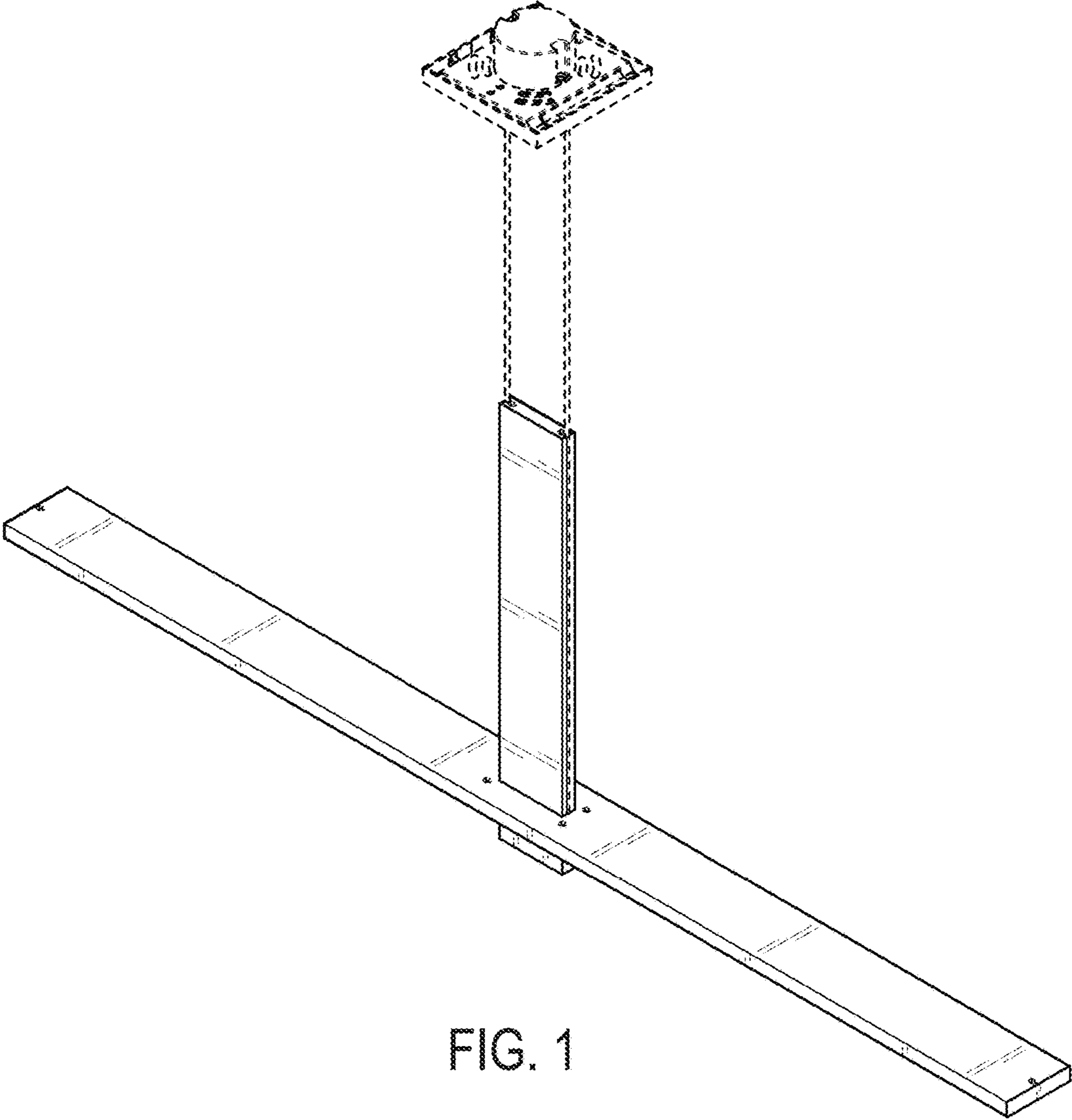


FIG. 1

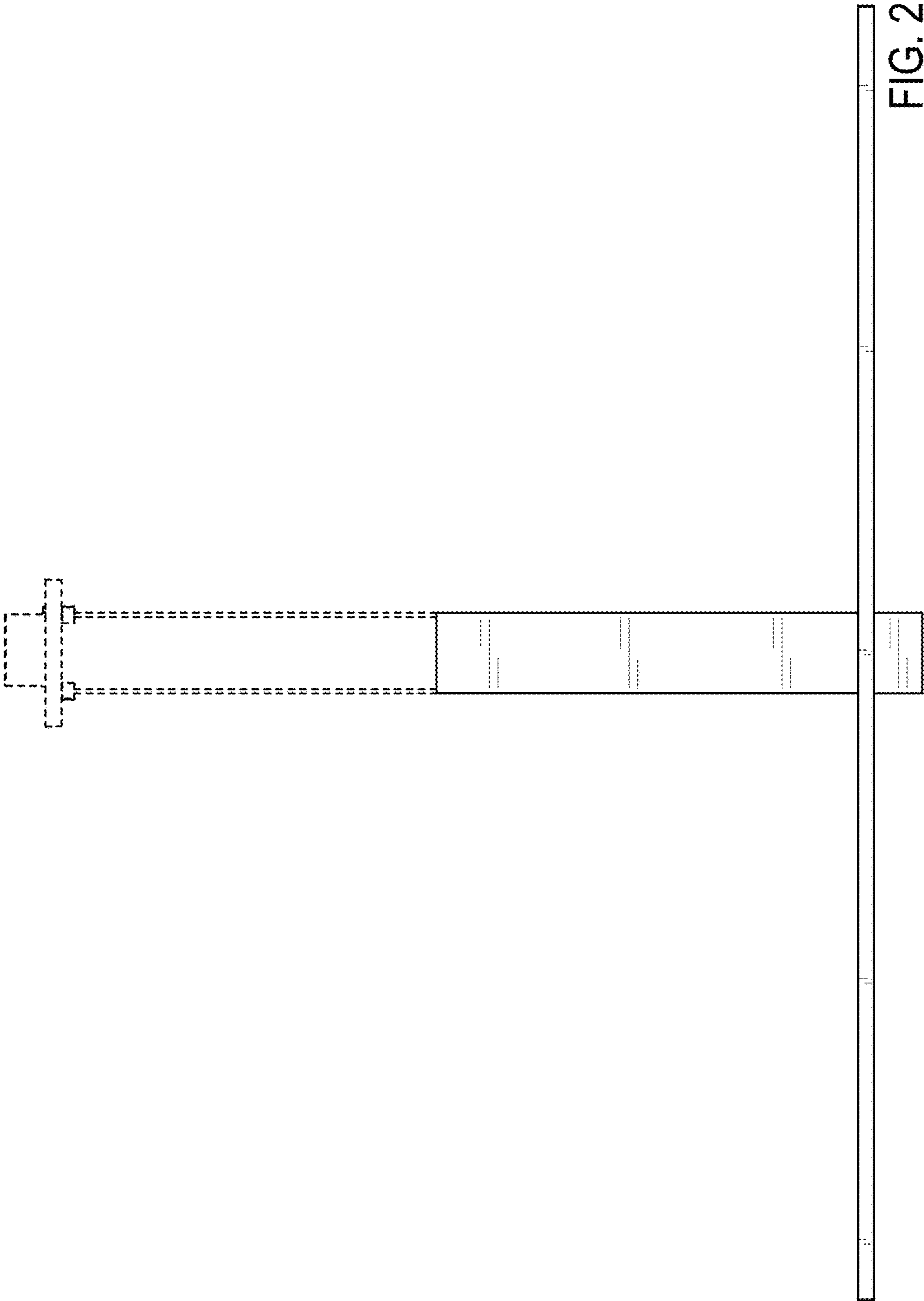
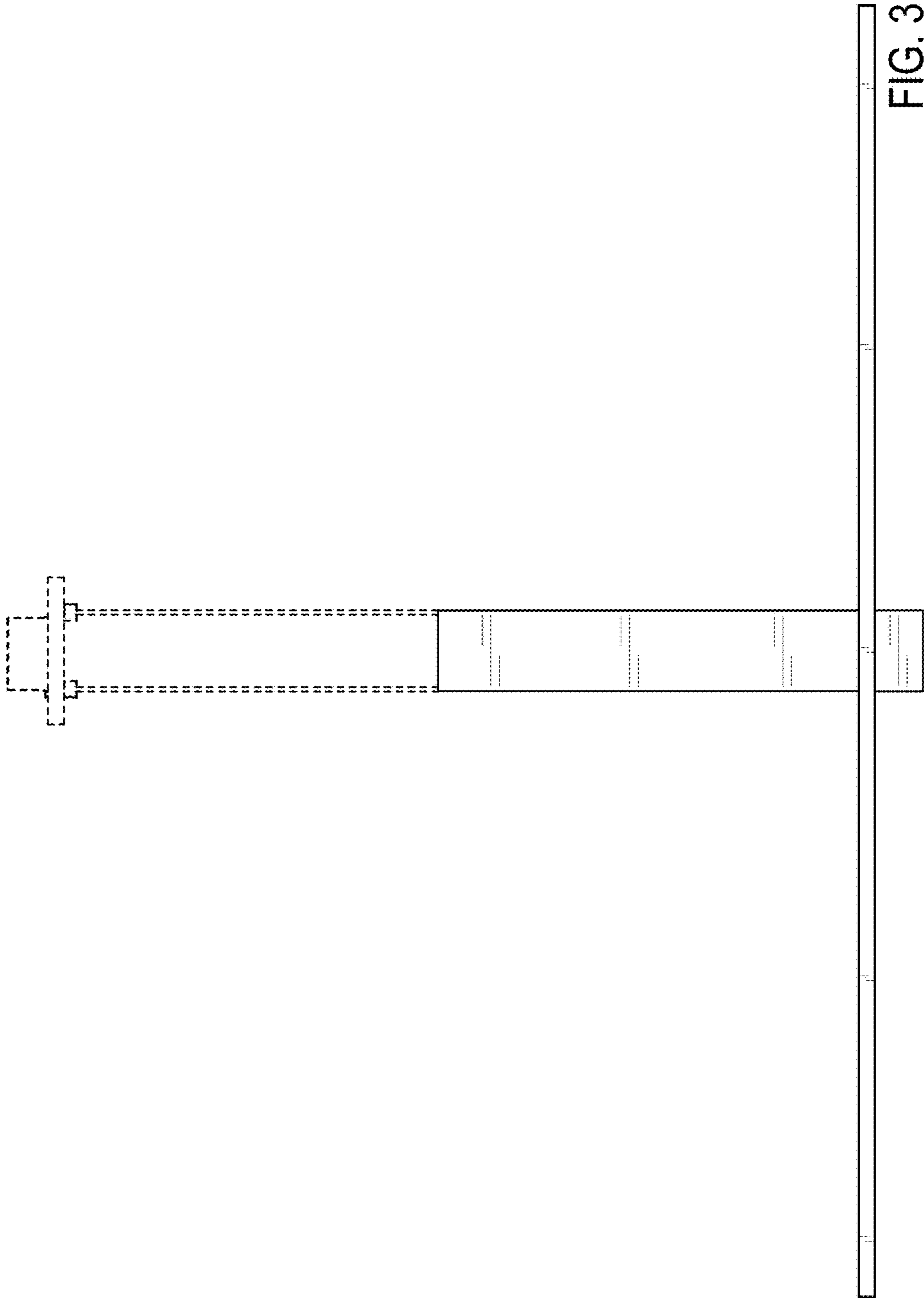


FIG. 2



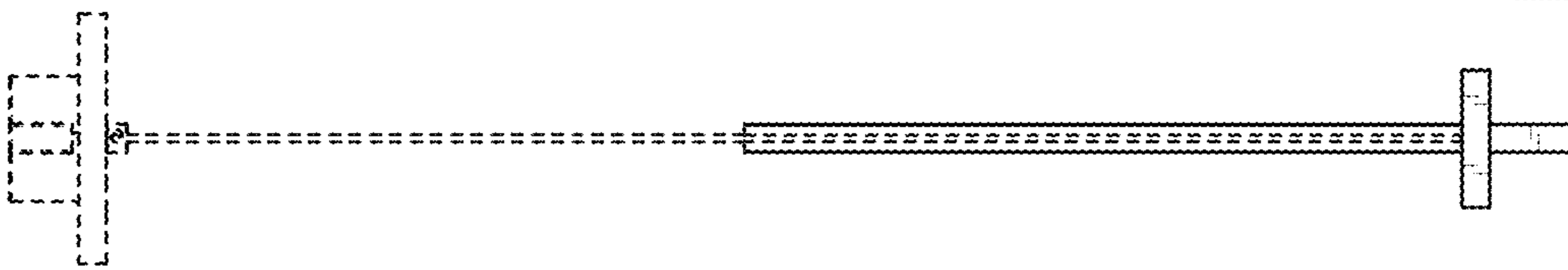


FIG. 4

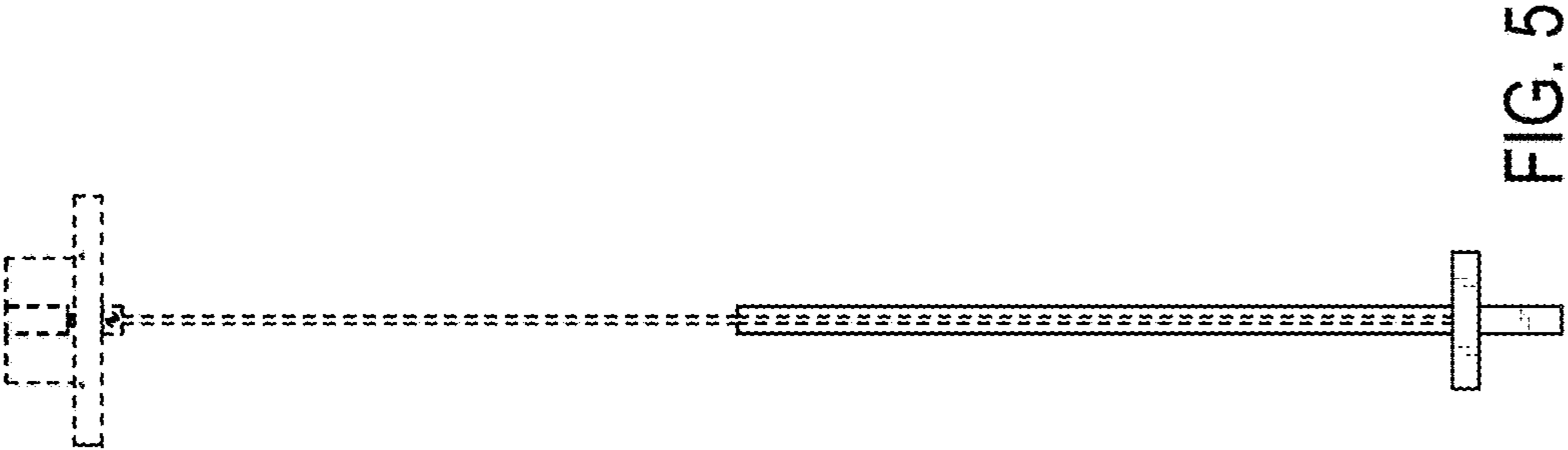




FIG. 6

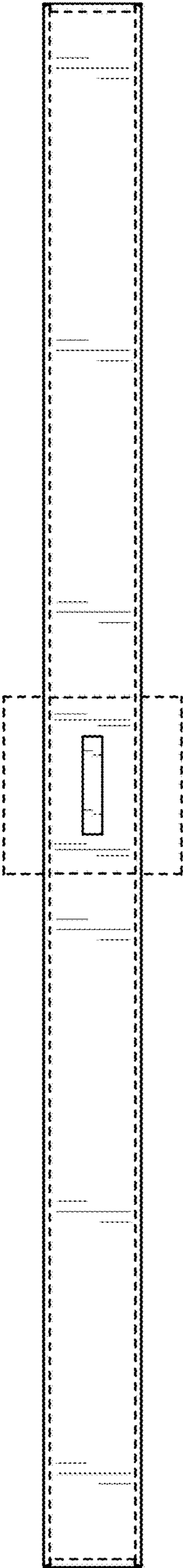


FIG. 7