



US00D827186S

(12) **United States Design Patent** (10) **Patent No.:** **US D827,186 S**
Calvo Lopez (45) **Date of Patent:** **** Aug. 28, 2018**

(54) **LAMP**
(71) Applicant: **LUZIFERLAMPS, S.L.**, Chiva (ES)
(72) Inventor: **Marivi Calvo Lopez**, Chiva (ES)
(73) Assignee: **LUZIFERLAMPS, S.L.**, Chiva (ES)
(**) Term: **15 Years**
(21) Appl. No.: **35/502,345**
(22) Filed: **Nov. 10, 2016**

(80) **Hague Agreement Data**

Int. Filing Date: **Nov. 10, 2016**
Int. Reg. No.: **DM/094253**
Int. Reg. Date: **Nov. 10, 2016**
Int. Reg. Pub. Date: **Jan. 27, 2017**

(51) **LOC (11) Cl.** **26-03**

(52) **U.S. Cl.**
USPC **D26/88; D26/135**

(58) **Field of Classification Search**
USPC ... D26/72, 73, 81, 84, 88, 90, 118, 127-137
CPC F21S 8/03; F21S 8/033; F21S 8/036; F21S
8/04; F21S 8/043; F21S 8/046; F21S
8/06; F21S 8/061; F21S 8/063; F21S
8/065; F21S 8/068
See application file for complete search history.

(56) **References Cited**

U.S. PATENT DOCUMENTS

D80,418 S * 1/1930 Hoch D26/91
D233,467 S * 10/1974 Coney 52/DIG. 10
D242,943 S * 1/1977 Lazerson D26/88
D251,630 S * 4/1979 Larson D26/128
D261,561 S * 10/1981 Letourneau D26/131
D307,641 S * 5/1990 De'Armond D26/136
D322,142 S * 12/1991 Gismondi D26/88
D328,955 S * 8/1992 Sheradsky D26/135

D330,603 S * 10/1992 Kay D26/118
D354,579 S * 1/1995 Chan D26/88
D354,580 S * 1/1995 Fouke D26/88
5,414,606 A * 5/1995 Weingartner F21V 5/00
362/307
D364,002 S * 11/1995 von Kluck D26/110
D427,713 S * 7/2000 Dolan D26/135
D430,331 S * 8/2000 Bleisch D26/142
D577,850 S * 9/2008 Nicholas D26/88
D582,091 S * 12/2008 Nicholas D26/129
D587,838 S * 3/2009 Nicholas D26/88
D653,383 S * 1/2012 Parker D26/118
D660,504 S * 5/2012 Martin D26/136
D662,645 S * 6/2012 Morgan D26/84
D666,354 S * 8/2012 Bracher D26/143
D676,999 S * 2/2013 Morgan D26/128

(Continued)

Primary Examiner — Darlington Ly
(74) *Attorney, Agent, or Firm* — Collard & Roe, P.C.

(57) **CLAIM**

The ornamental design for a lamp, as shown and described.

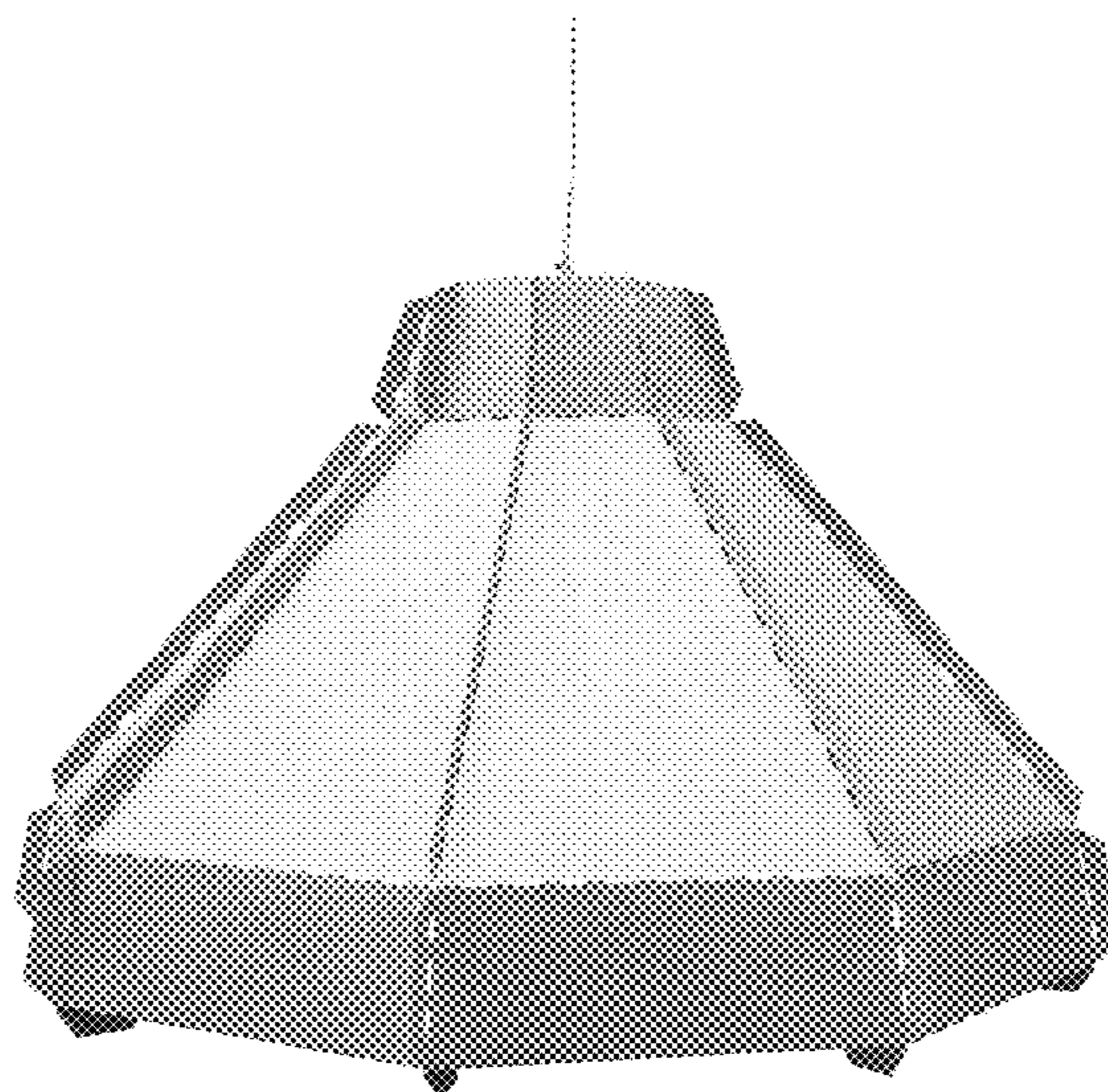
DESCRIPTION

The patent or application file contains at least one drawing executed in color. Copies of this patent or patent application publication with color drawing(s) will be provided by the Office upon request and payment of the necessary fee.

1. Lamp
1.1: is a front perspective view of a lamp showing my new design;
1.2: is a top and front perspective view thereof;
1.3: is a top perspective view thereof; and
1.4: is a bottom perspective view thereof; and
1.5: is a front and bottom perspective view thereof.

The broken lines and pattern in the design represent a pattern on the lamp and are considered part of the claimed design. The features shown in blue represent portions of the lamp that form no part of the claimed design.

1 Claim, 5 Drawing Sheets
(5 of 5 Drawing Sheet(s) Filed in Color)



(56)

References Cited

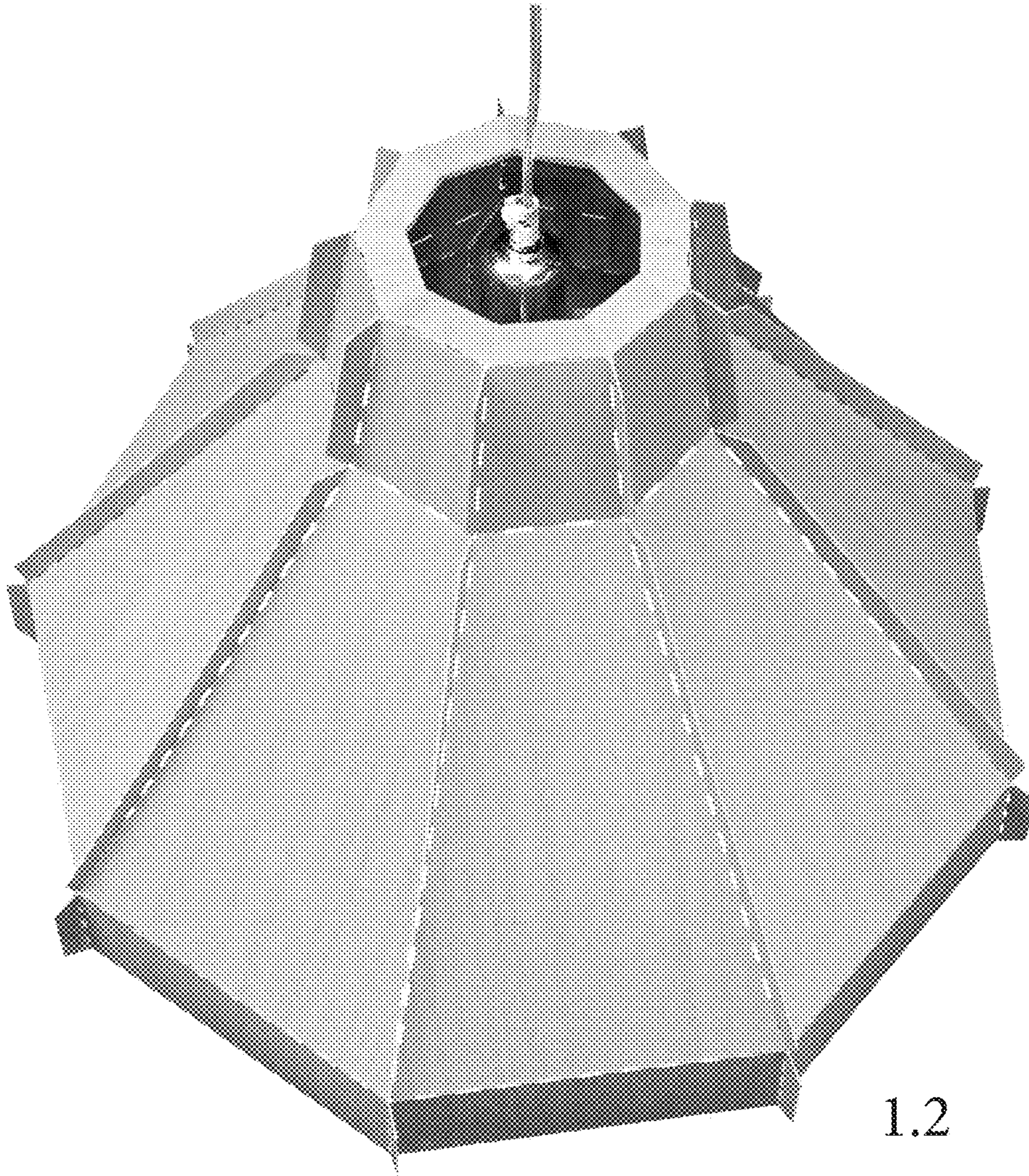
U.S. PATENT DOCUMENTS

D700,733	S	*	3/2014	Ricci	D26/88
D758,637	S	*	6/2016	Herzog	D26/136
D775,758	S	*	1/2017	Amato	D26/89
D792,016	S	*	7/2017	de Bevilacqua	D26/118
D798,487	S	*	9/2017	Thompson	D26/135
D807,564	S	*	1/2018	Amato	D26/88

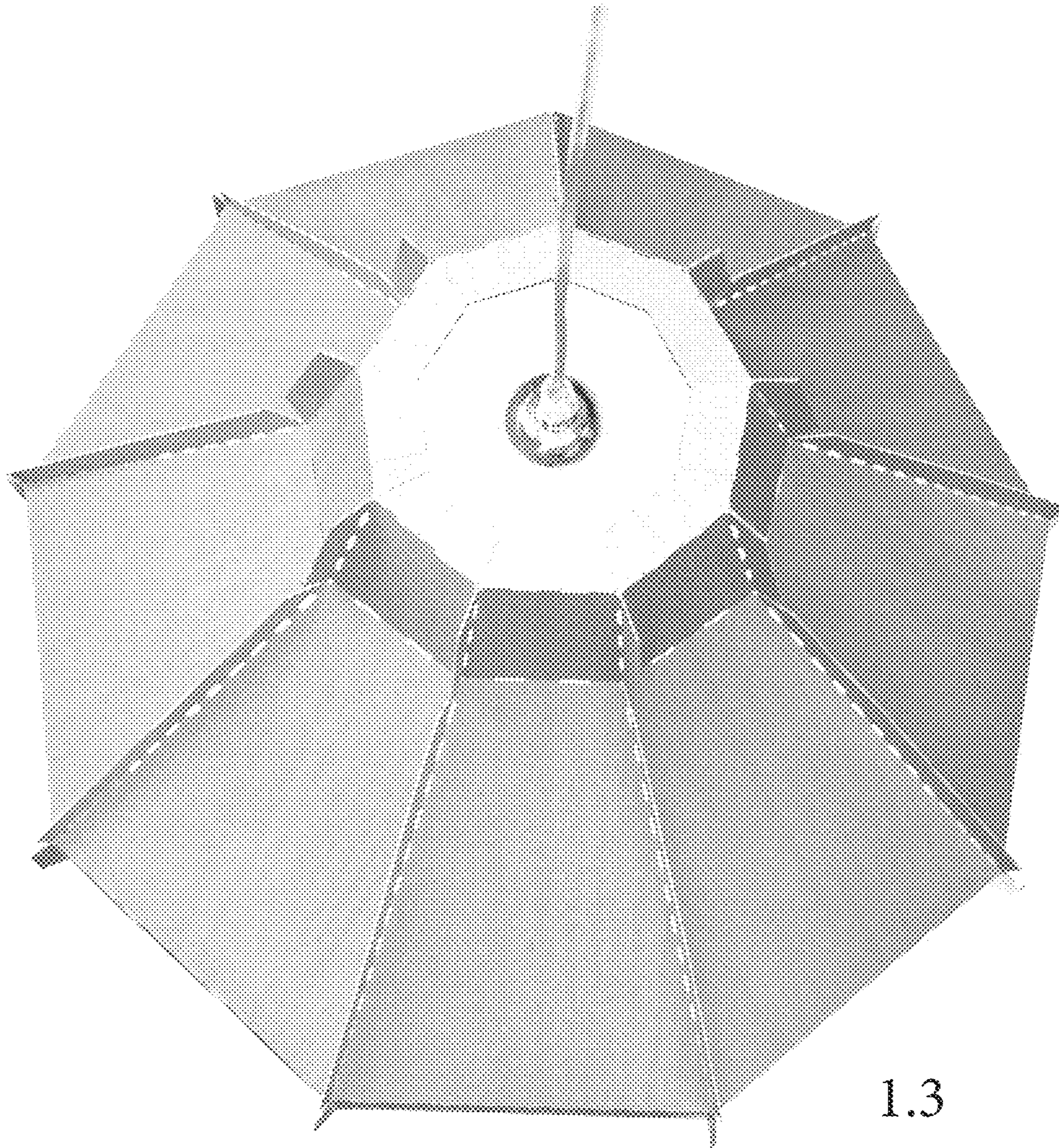
* cited by examiner



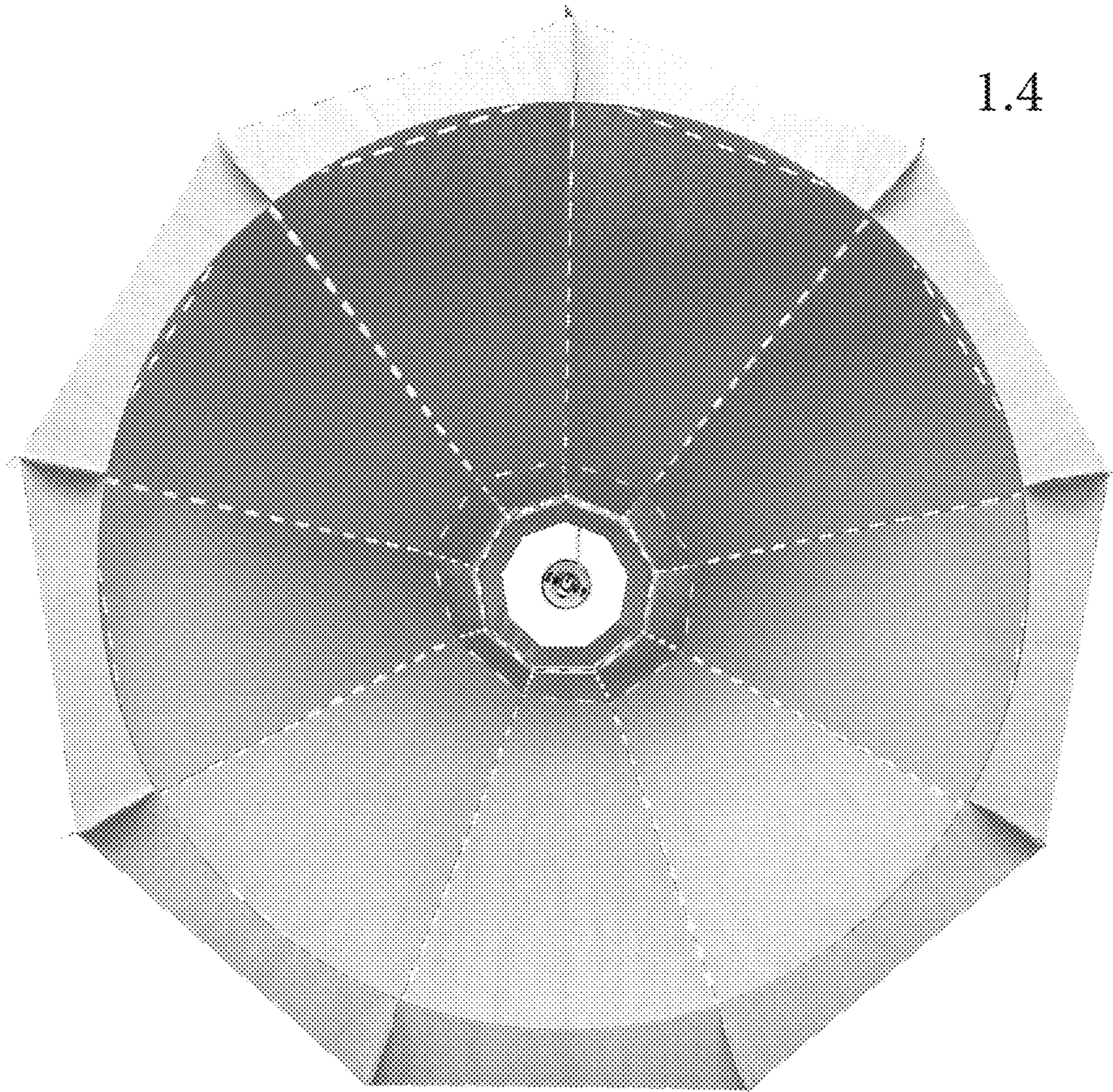
1.1



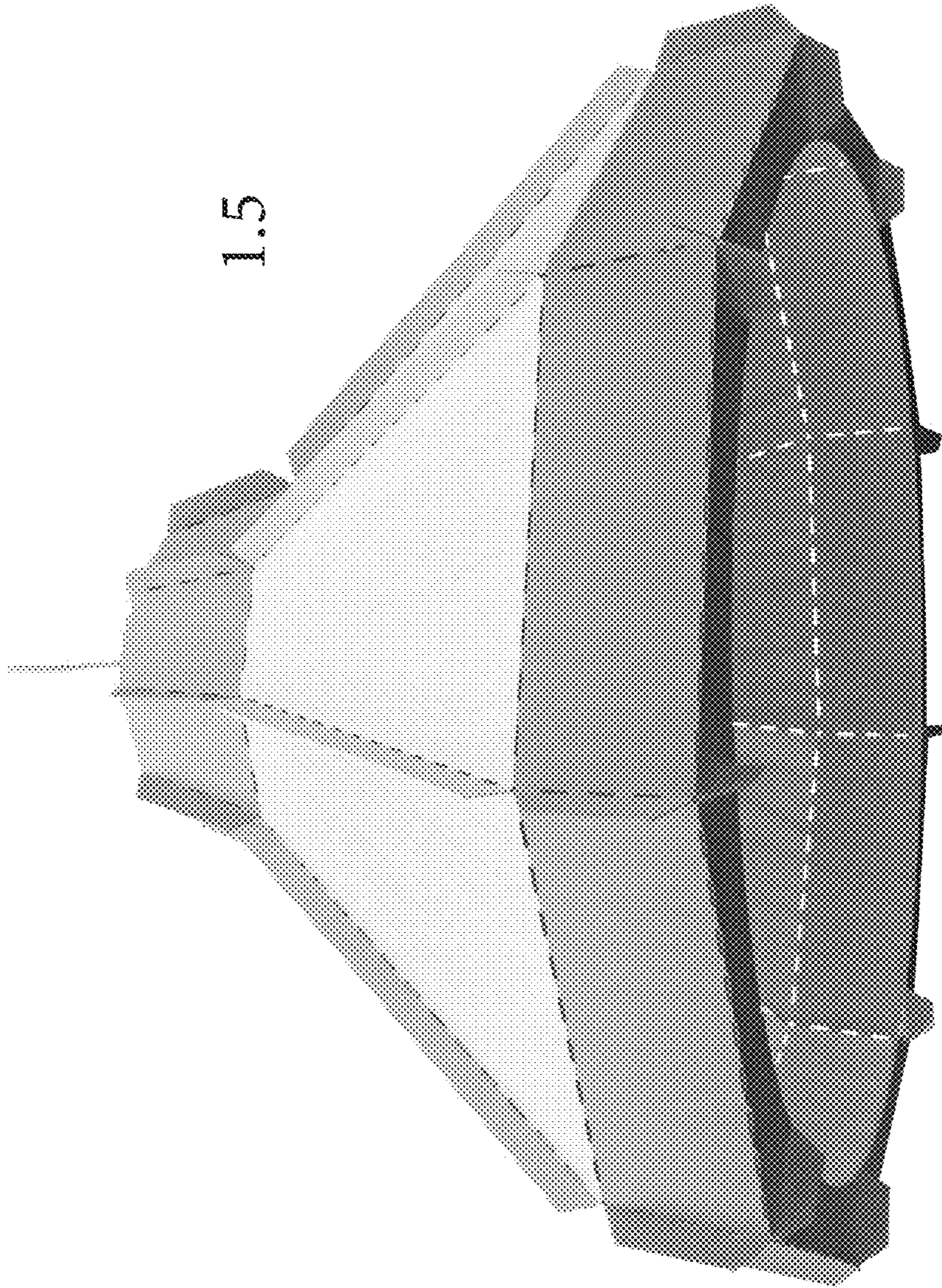
1.2



1.3



1.4



1.5