



US00D827181S

(12) **United States Design Patent**
Farid

(10) **Patent No.:** **US D827,181 S**
(45) **Date of Patent:** **** Aug. 28, 2018**

- (54) **DAISY LIGHT**
- (71) Applicant: **Edible Arrangements, LLC**,
Wallingford, CT (US)
- (72) Inventor: **Tariq Farid**, Wallingford, CT (US)
- (73) Assignee: **Edible IP, LLC**, Wallingford, CT (US)
- (**) Term: **15 Years**
- (21) Appl. No.: **29/586,249**
- (22) Filed: **Dec. 1, 2016**
- (51) **LOC (11) Cl.** **26-05**
- (52) **U.S. Cl.**
USPC **D26/73**
- (58) **Field of Classification Search**
USPC D26/11, 16-19, 25, 26, 47, 72, 73, 85,
D26/98, 125, 156; D11/115, 125, 149,
D11/157
CPC F21S 9/037; F21V 3/02; F21V 21/0824;
F21V 37/0058; F21V 37/0095; F21V
37/02; F21L 19/006; F21W 2121/004;
F21W 2121/04; F21W 2131/109
See application file for complete search history.

(56) **References Cited**

U.S. PATENT DOCUMENTS

D59,478 S *	10/1921	Howell	D26/156
D138,921 S *	9/1944	Ordens	D11/117
2,922,330 A *	1/1960	Chuy	A47G 33/0809
				116/148
D226,972 S *	5/1973	Schwartz	D26/26
4,212,133 A *	7/1980	Lufkin	A01G 5/00
				248/488
D381,444 S *	7/1997	Yuen	D22/123
6,139,928 A *	10/2000	Sloot	B32B 3/28
				428/7
D446,819 S *	8/2001	Caloia	D13/154
D459,824 S *	7/2002	Leen	D26/73

6,434,869 B1 *	8/2002	Ngo	B44C 5/02
				248/674
6,726,184 B2 *	4/2004	Wang	E04H 12/2215
				256/1
D506,562 S *	6/2005	Tonneson	D26/47
D507,360 S *	7/2005	Yuen	D26/26
D509,165 S *	9/2005	Deloye	D11/157
D551,785 S *	9/2007	Montgomery	D26/26
D630,791 S *	1/2011	Wanders	D26/127
2003/0131511 A1 *	7/2003	Lai	G09F 3/10
				40/638
2010/0271815 A1 *	10/2010	Gomez	F21S 6/001
				362/184
2011/0116274 A1 *	5/2011	Tsai	A47G 33/0836
				362/311.13

OTHER PUBLICATIONS

Black Daisy Desk & Table Lamps from archerlamps.com, visited May 16, 2018. (Year: 2018).*

(Continued)

Primary Examiner — Clare E Heflin

(74) *Attorney, Agent, or Firm* — DLA Piper LLP (US)

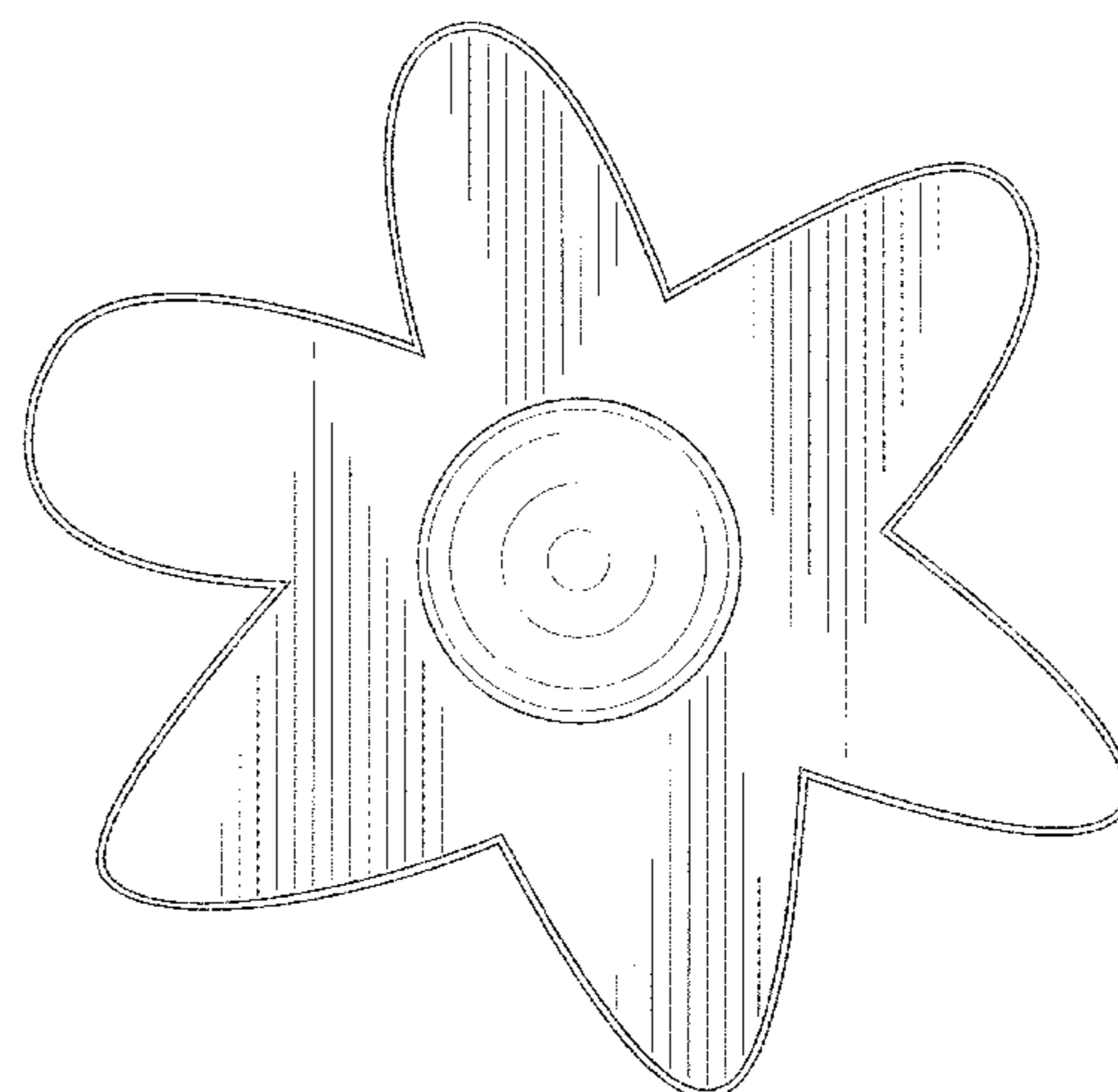
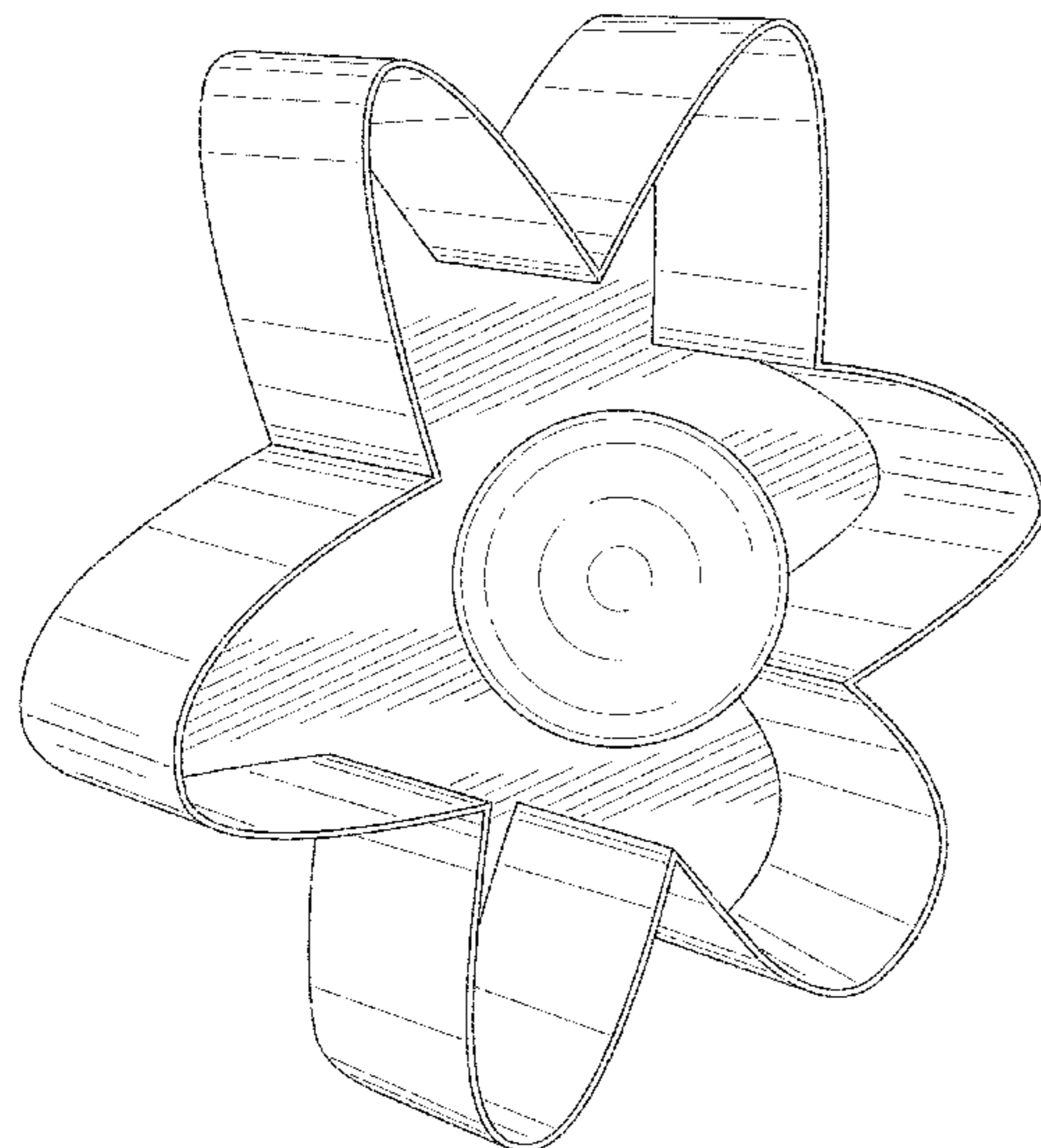
(57) **CLAIM**

I claim the ornamental design for the daisy light, substantially as shown and described.

DESCRIPTION

FIG. 1 is a bottom perspective view of a daisy light in accordance with the present invention;
 FIG. 2 is a top view of the daisy light arrangement in FIG. 1;
 FIG. 3 is a bottom view thereof;
 FIG. 4 is a front view thereof; and
 FIG. 5 is a back view thereof.
 FIG. 6 is a left side view thereof; and,
 FIG. 7 is a right side view thereof.

1 Claim, 7 Drawing Sheets



(56)

References Cited

OTHER PUBLICATIONS

Daisy PL 60 Ceiling Light / Vintage / Metropolitan Decor. Found at nmetropolitandecor.com, visited May 16, 2018. (Year: 2018).*

Tiered Daisy Shade Ceiling Light—from Shades of Light. SKU: FM 16051 GL. From shadesoflight.com, visited May 16, 2018. (Year: 2018).*

* cited by examiner

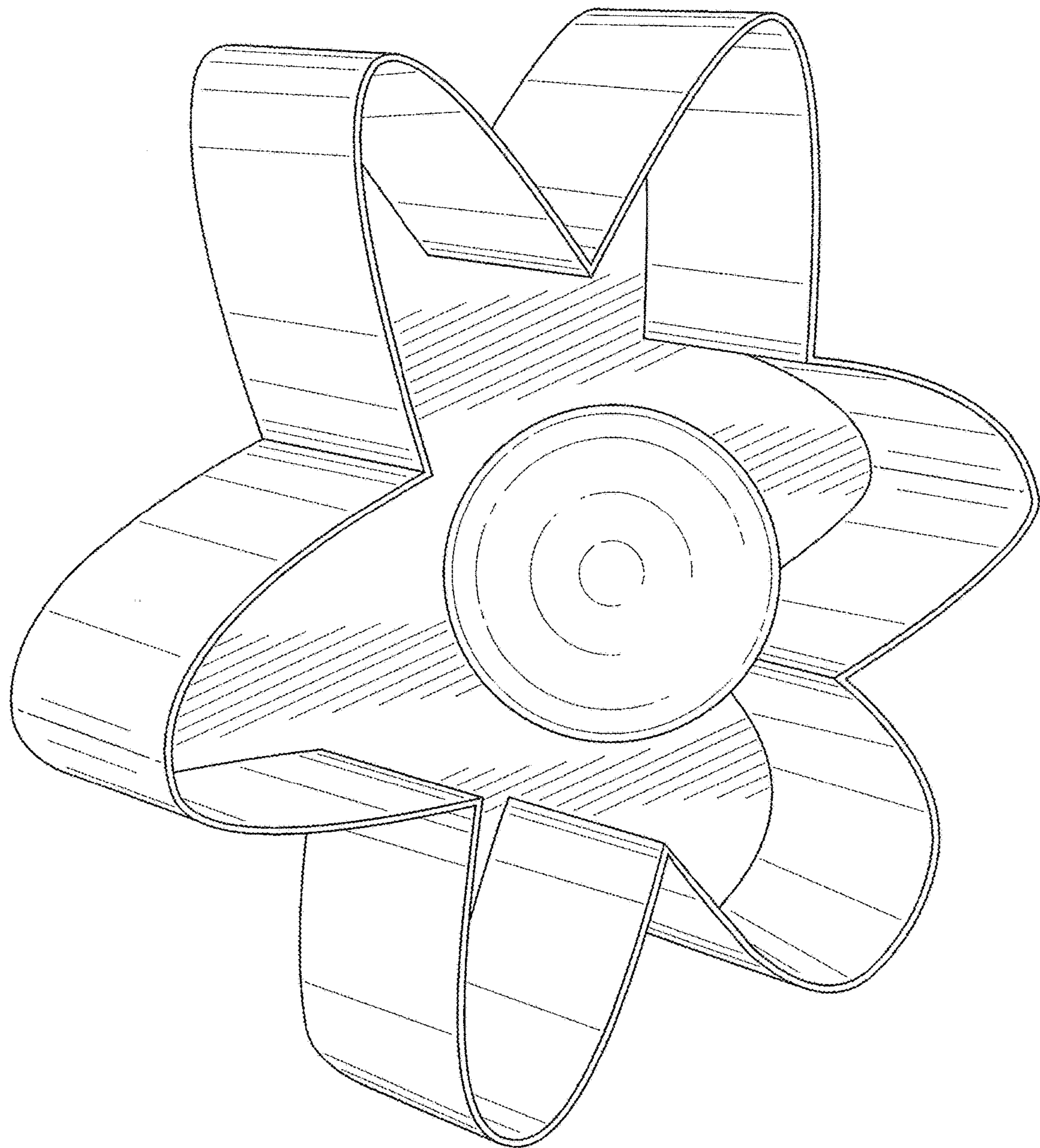


FIG. 1

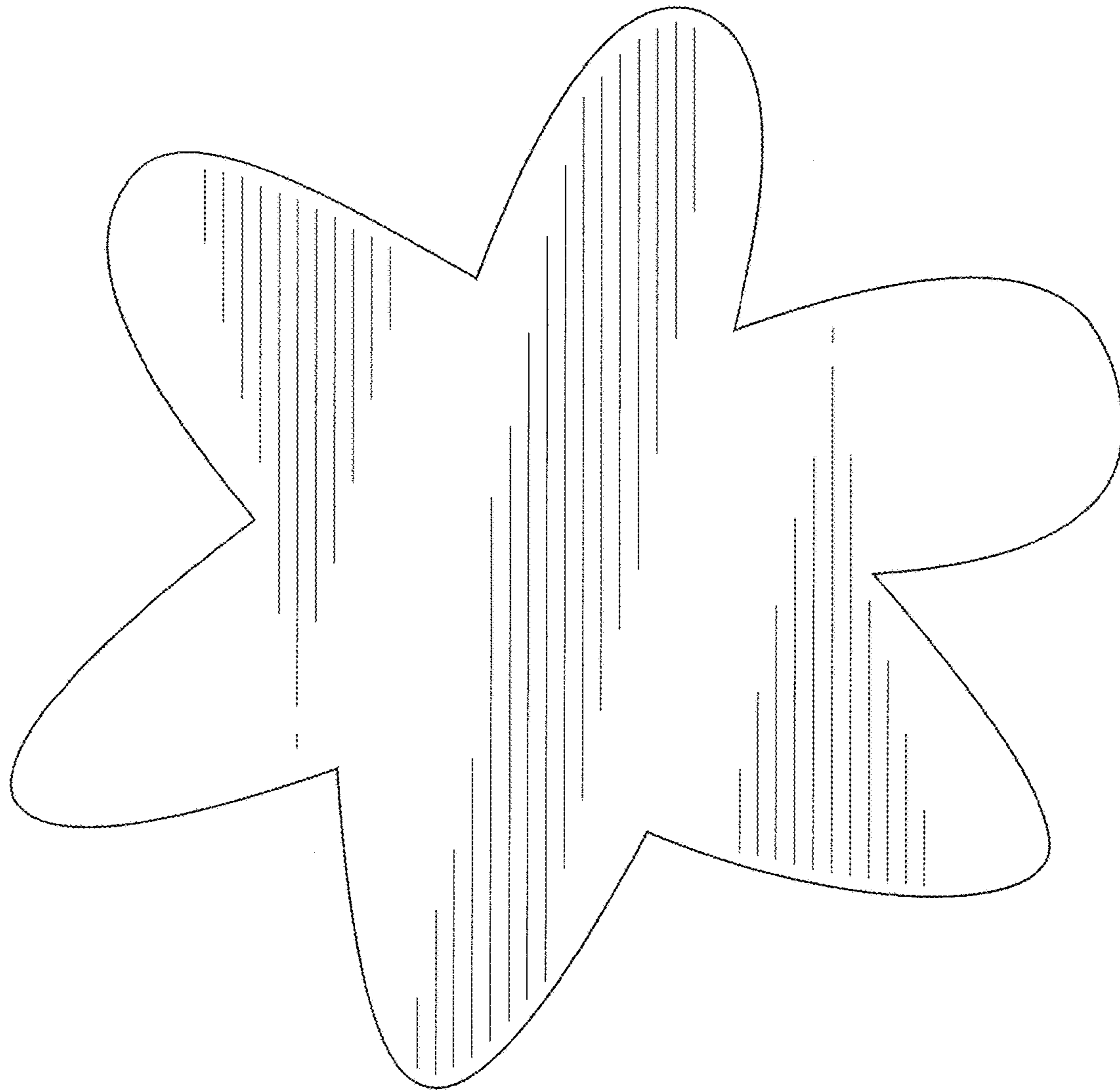


FIG. 2

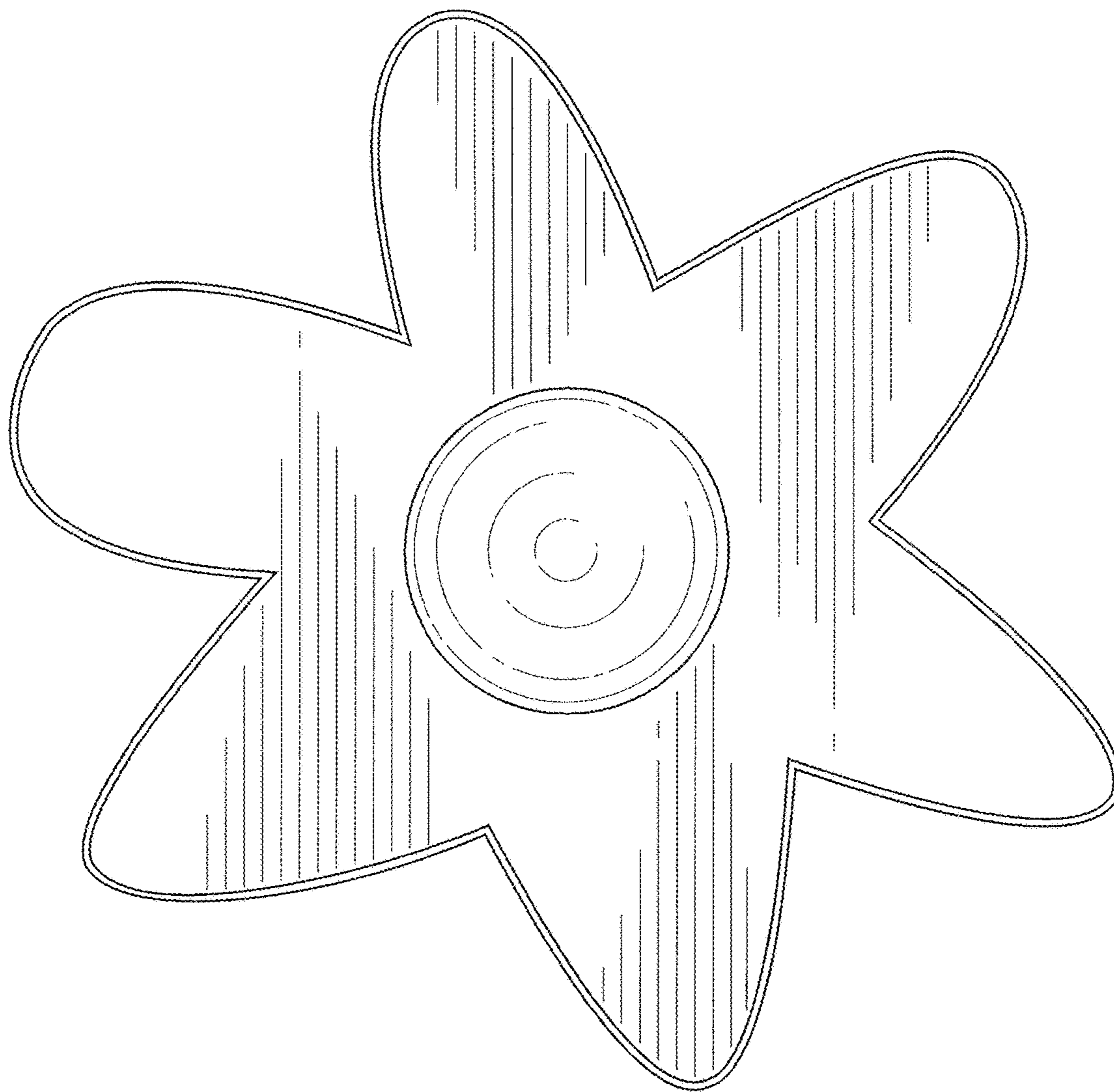


FIG. 3

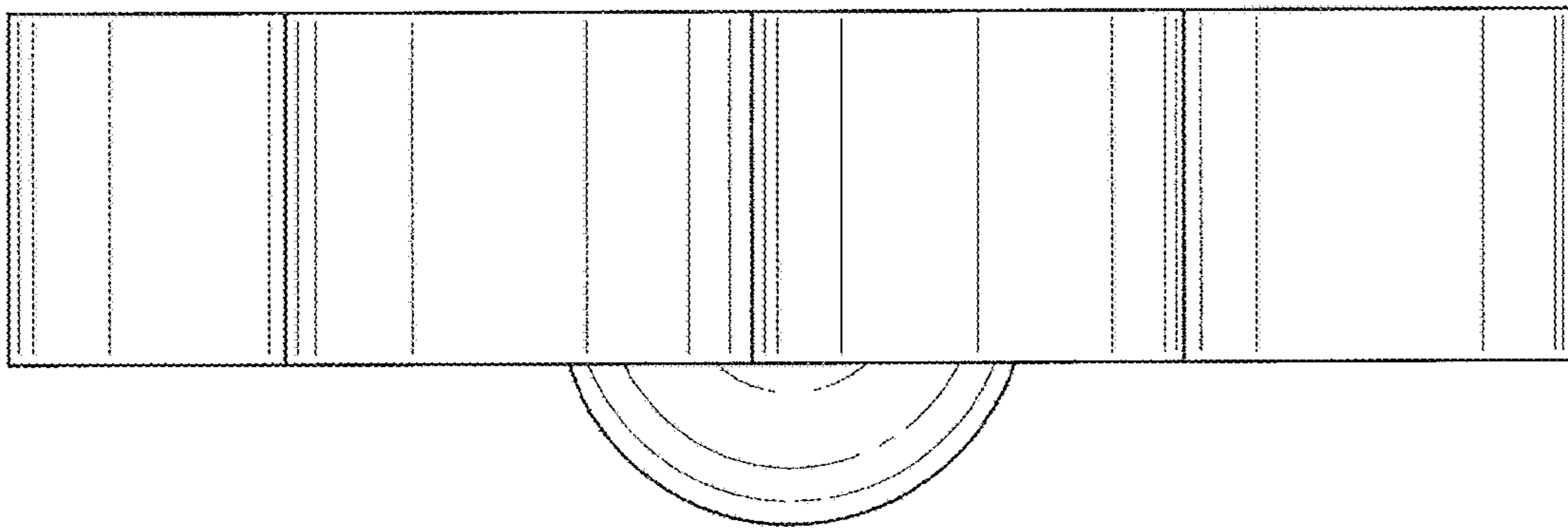


FIG. 4

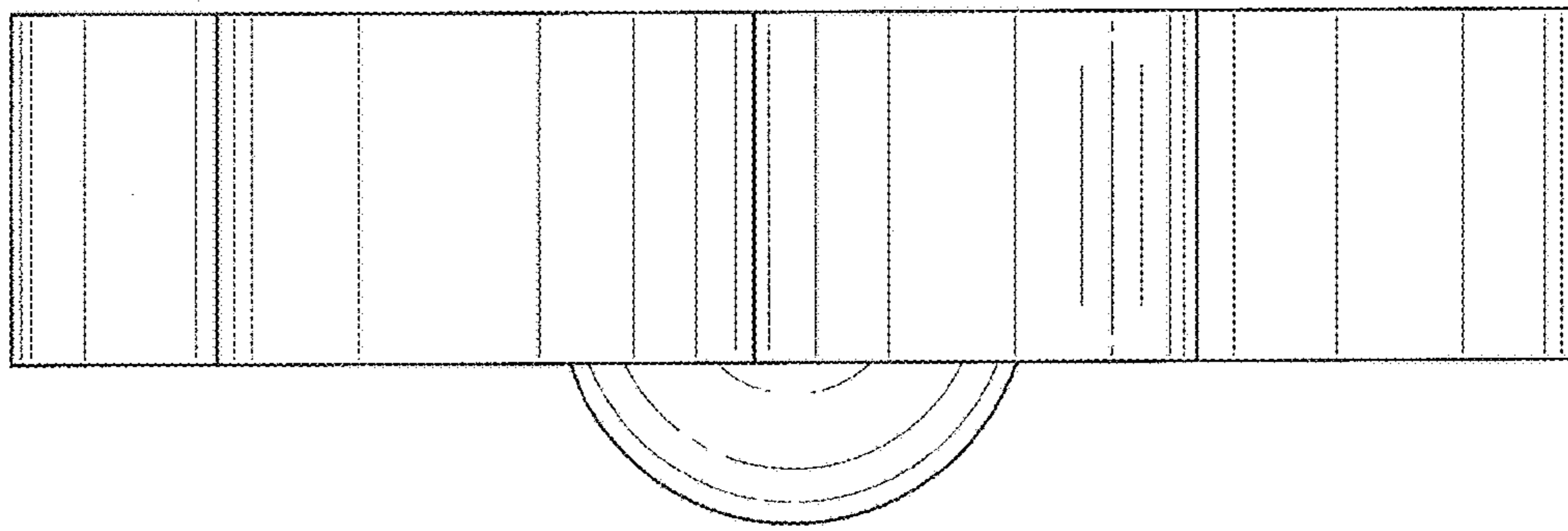


FIG. 5

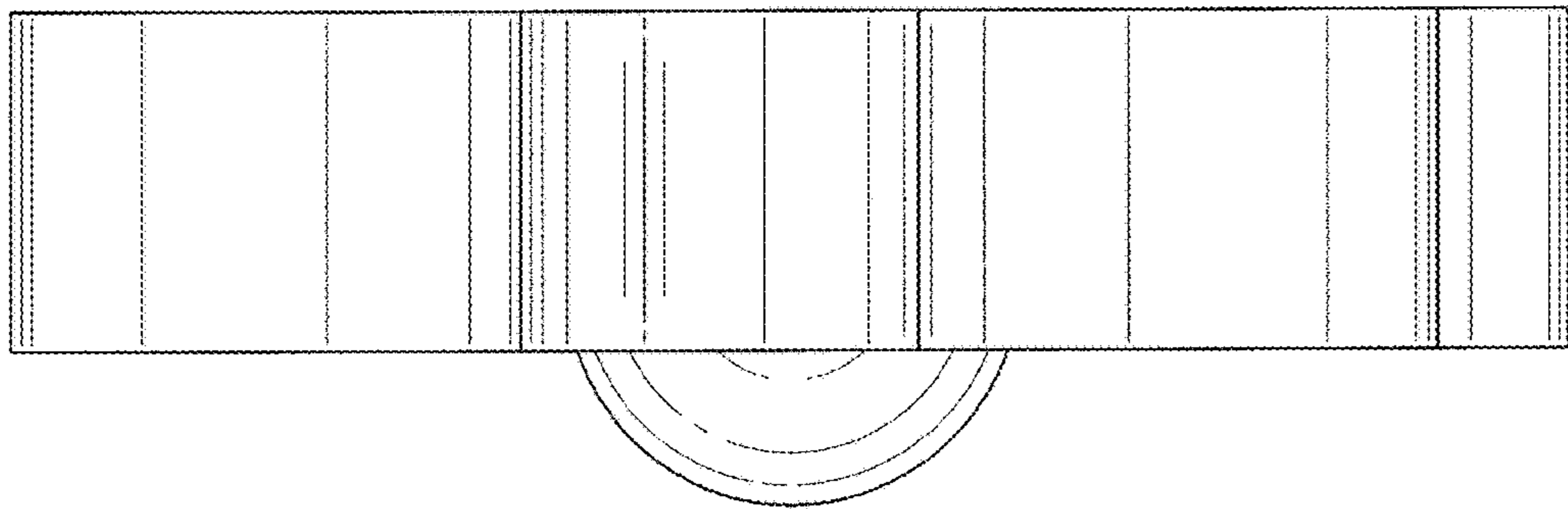


FIG. 6

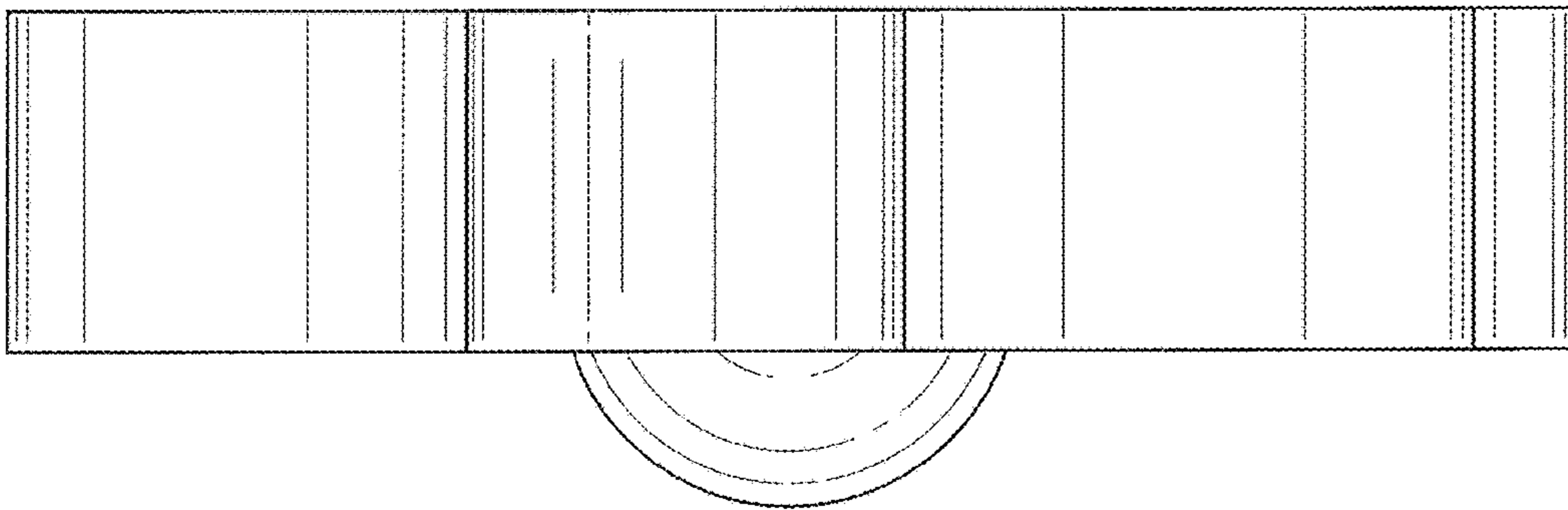


FIG. 7