



US00D827179S

(12) **United States Design Patent**
Mou

(10) **Patent No.:** **US D827,179 S**
(45) **Date of Patent:** **** Aug. 28, 2018**

(54) **LIGHT-EMITTING DIODE PANEL LAMP**

OTHER PUBLICATIONS

(71) Applicant: **NINGBO ROYALUX LIGHTING CO., LTD.**, Ningbo, Zhejiang (CN)

(72) Inventor: **Jinhong Mou**, Zhejiang (CN)

(73) Assignee: **NINGBO ROYALUX LIGHTING CO., LTD.**, Ningbo, Zhejiang (CN)

(**) Term: **15 Years**

(21) Appl. No.: **29/586,171**

(22) Filed: **Dec. 1, 2016**

(30) **Foreign Application Priority Data**

Jun. 3, 2016 (CN) 2016 3 0228728

(51) **LOC (11) Cl.** **26-05**

(52) **U.S. Cl.**
USPC **D26/72; D26/85**

(58) **Field of Classification Search**
USPC D26/72, 85-87
CPC F21V 1/00; F21V 5/00; F21V 5/02; F21V 5/043; F21V 21/00; F21V 21/02; F21S 8/03; F21S 8/033; F21S 8/036; F21S 8/037; F21S 8/04; F21S 9/037; F21W 2131/107

See application file for complete search history.

(56) **References Cited**

U.S. PATENT DOCUMENTS

D568,523 S * 5/2008 Goetz-Schaefer D26/85
D649,678 S * 11/2011 Germain D26/85

Outdoor Wall Lamp, Ningbo Royalux Lighting Co., 2017 Red Dot Award, site visited Nov. 30, 2017, available online at <https://red-dot.de/pd/online-exhibition/work/?lang=en&code=03-00680-2017&y=2017&c=214&a=0> (Year: 2017).
Simple Modern Swing Arm LED Wall Sconce, Earthgrow, Nov. 30, 2016, site visited Nov. 30, 2017, available online at <http://www.earthgrow.us/...ovide-household/led-wall-sconces-light-fixtures-simple-modern-swing-arm-led-wall-for-wall-sconce-light-fixture/> (Year: 2016).*

* cited by examiner

Primary Examiner — Cathron C Brooks

(74) *Attorney, Agent, or Firm* — U.S. Fairsky LLP; Yue (Robert) Xu

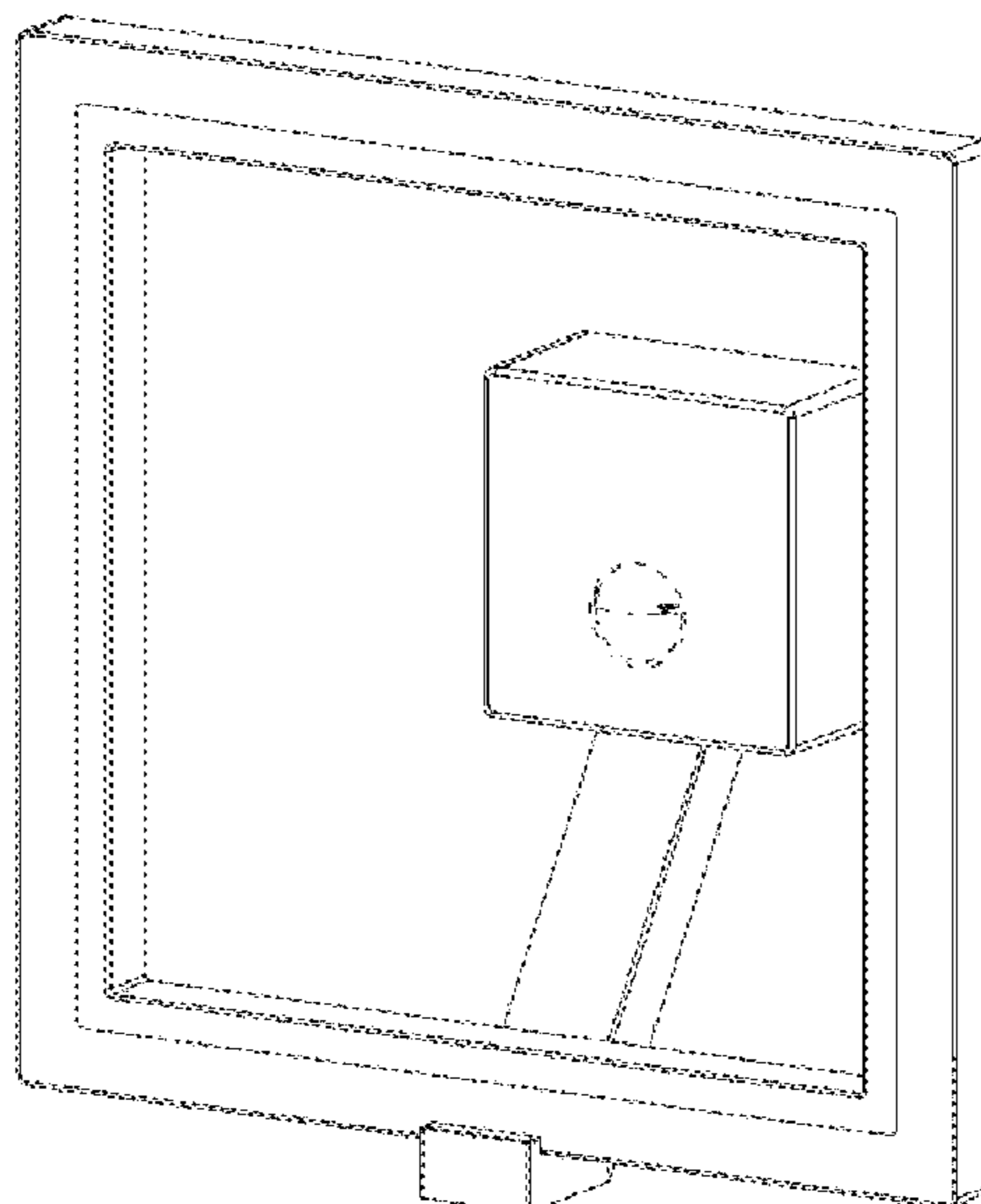
(57) **CLAIM**

The ornamental design for a light-emitting diode panel lamp, as shown and described.

DESCRIPTION

FIG. 1 is a front view of a light-emitting diode panel lamp according to the present application;
FIG. 2 is a rear view of the light-emitting diode panel lamp according to the present application;
FIG. 3 is a left view of the light-emitting diode panel lamp according to the present application;
FIG. 4 is a right view of the light-emitting diode panel lamp according to the present application;
FIG. 5 is a top view of the light-emitting diode panel lamp according to the present application;
FIG. 6 is a bottom view of the light-emitting diode panel lamp according to the present application; and,
FIG. 7 is a perspective view of the light-emitting diode panel lamp according to the present application.
The broken lines in the drawings depict portions of the light-emitting diode panel lamp that form no part of the claimed design.

1 Claim, 7 Drawing Sheets



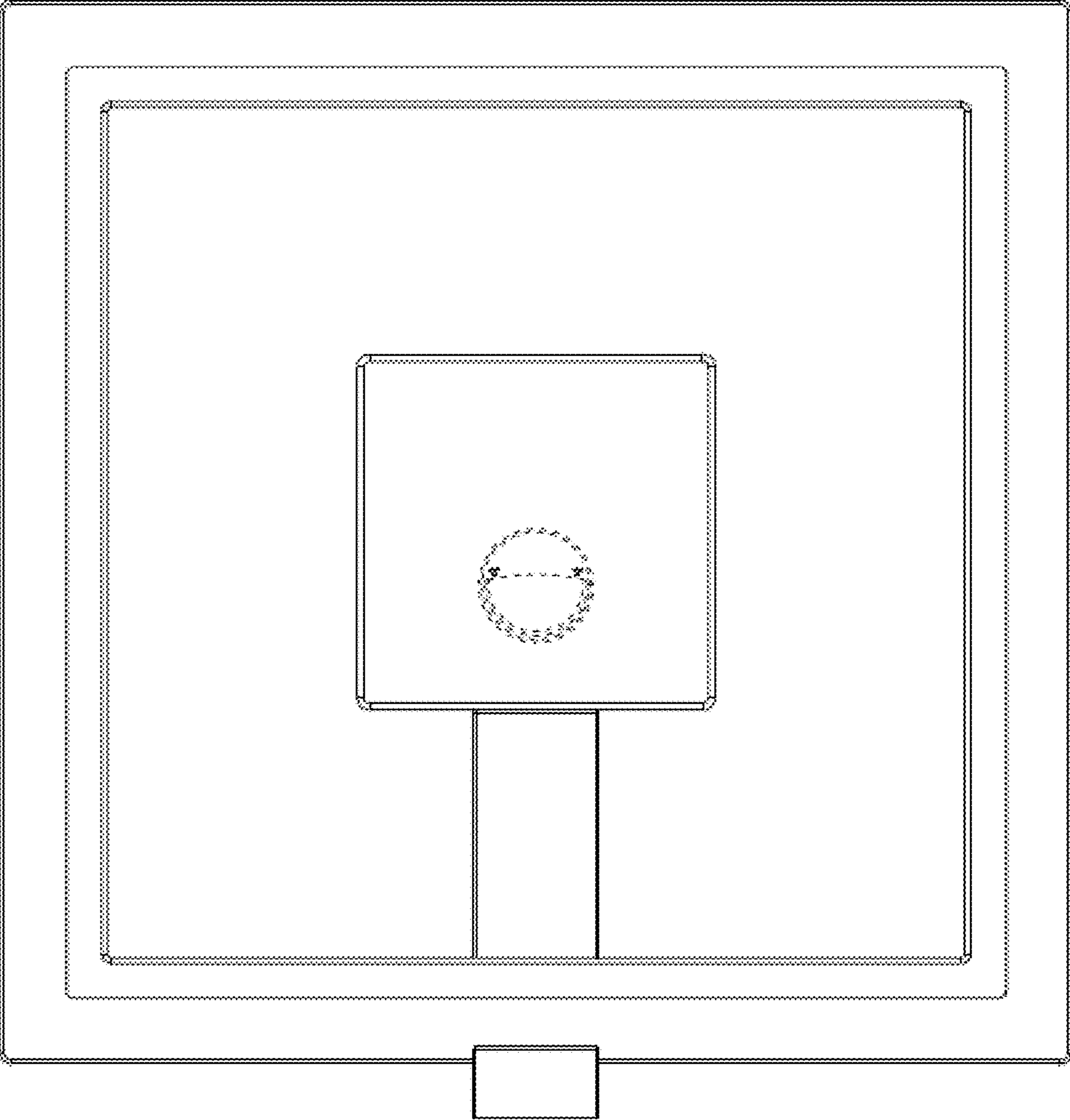


FIG. 1

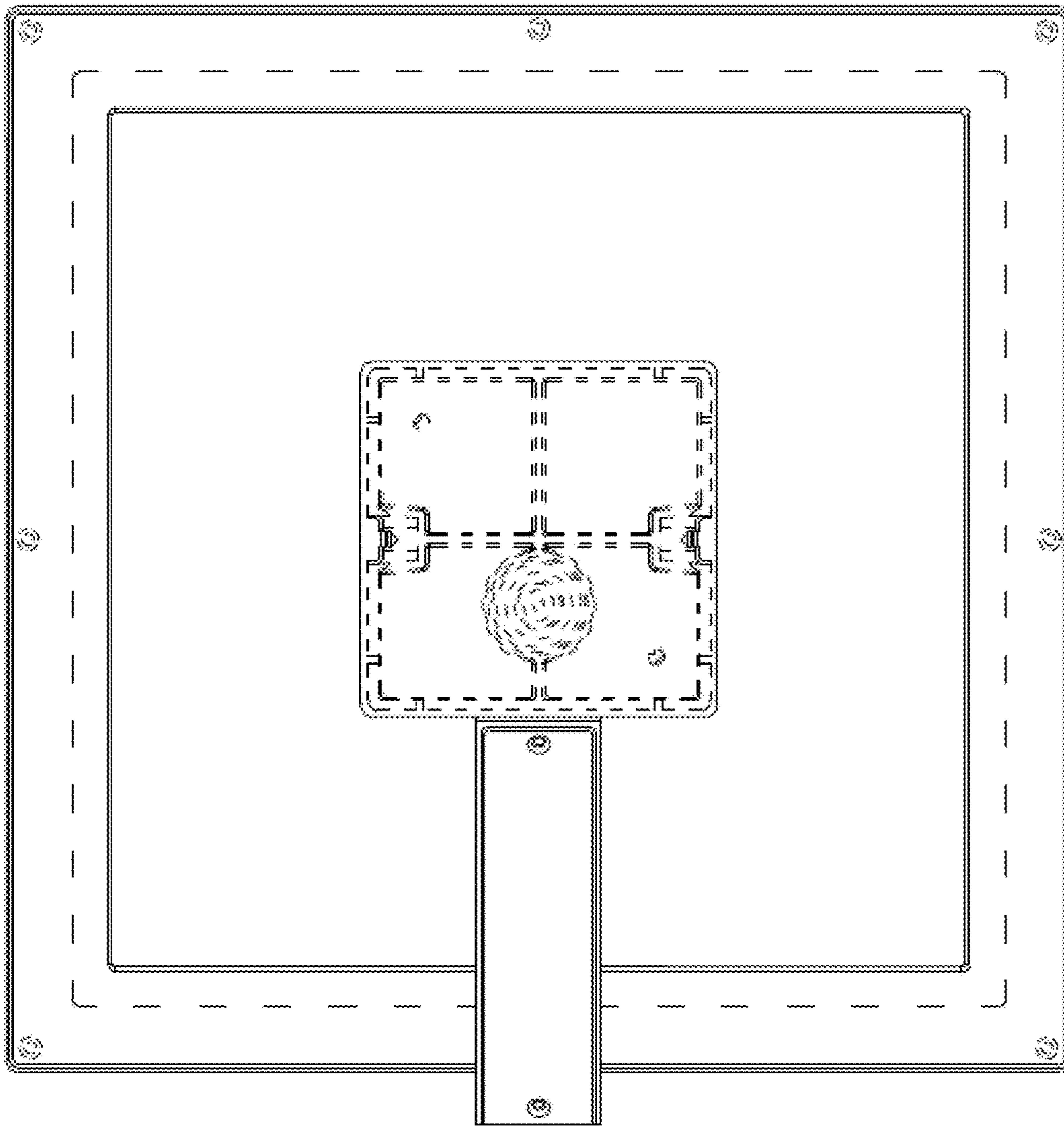


FIG. 2

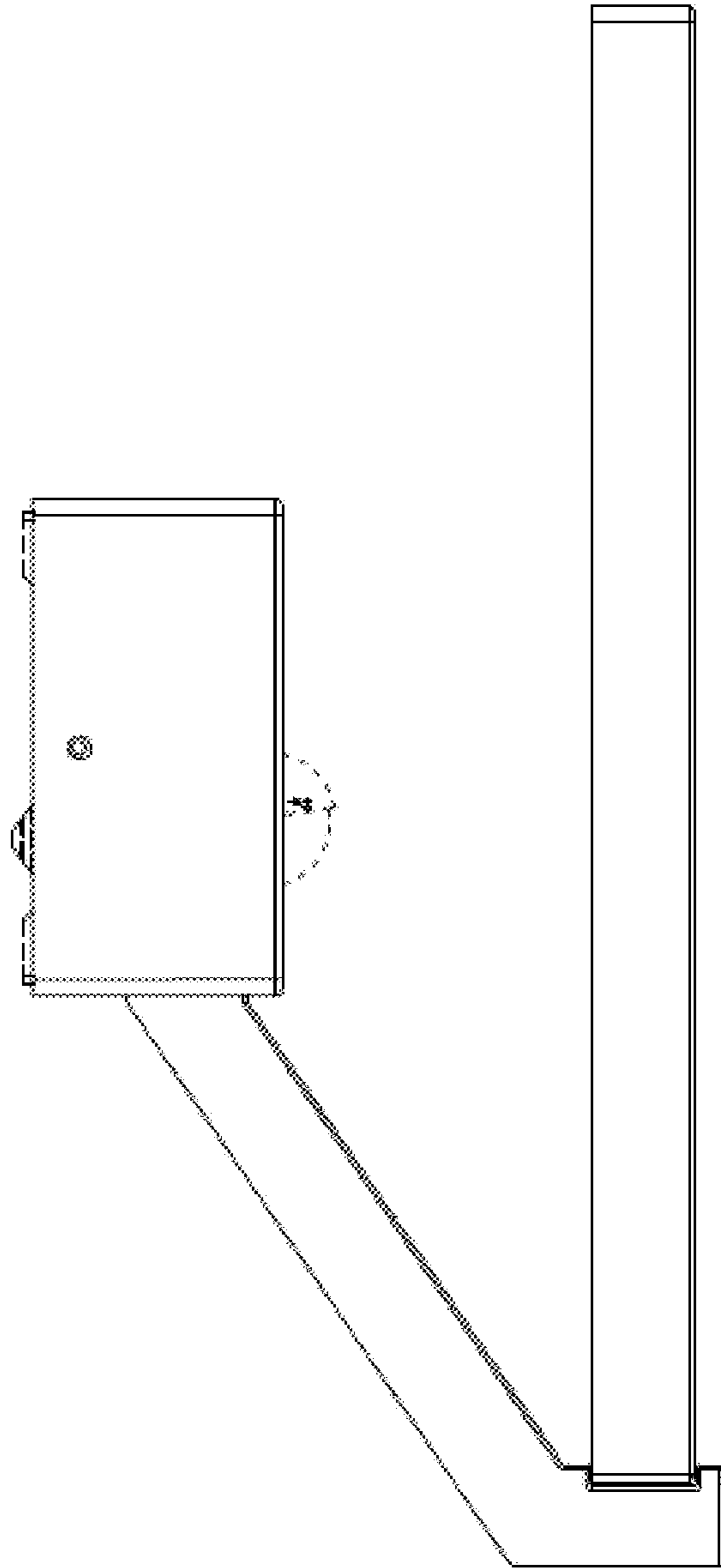


FIG. 3

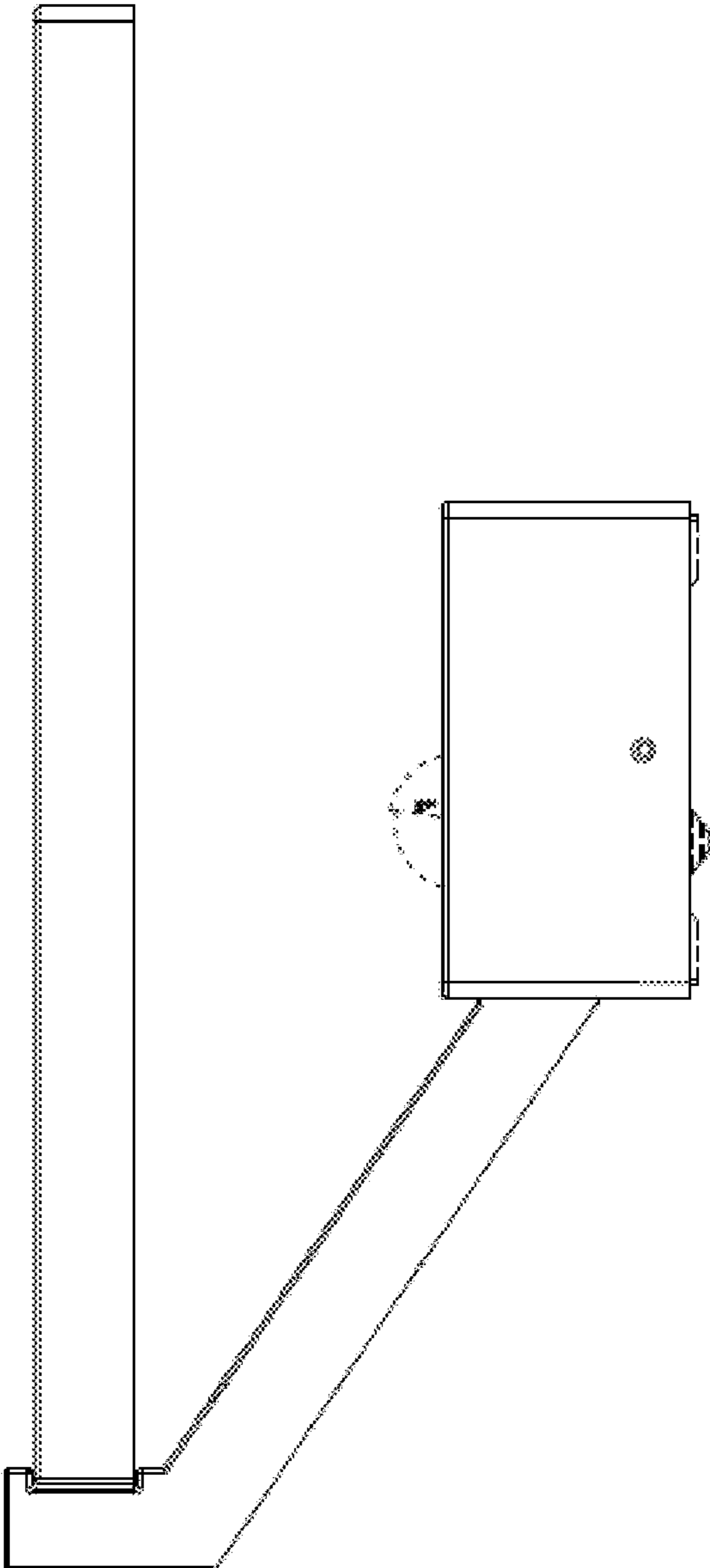


FIG. 4

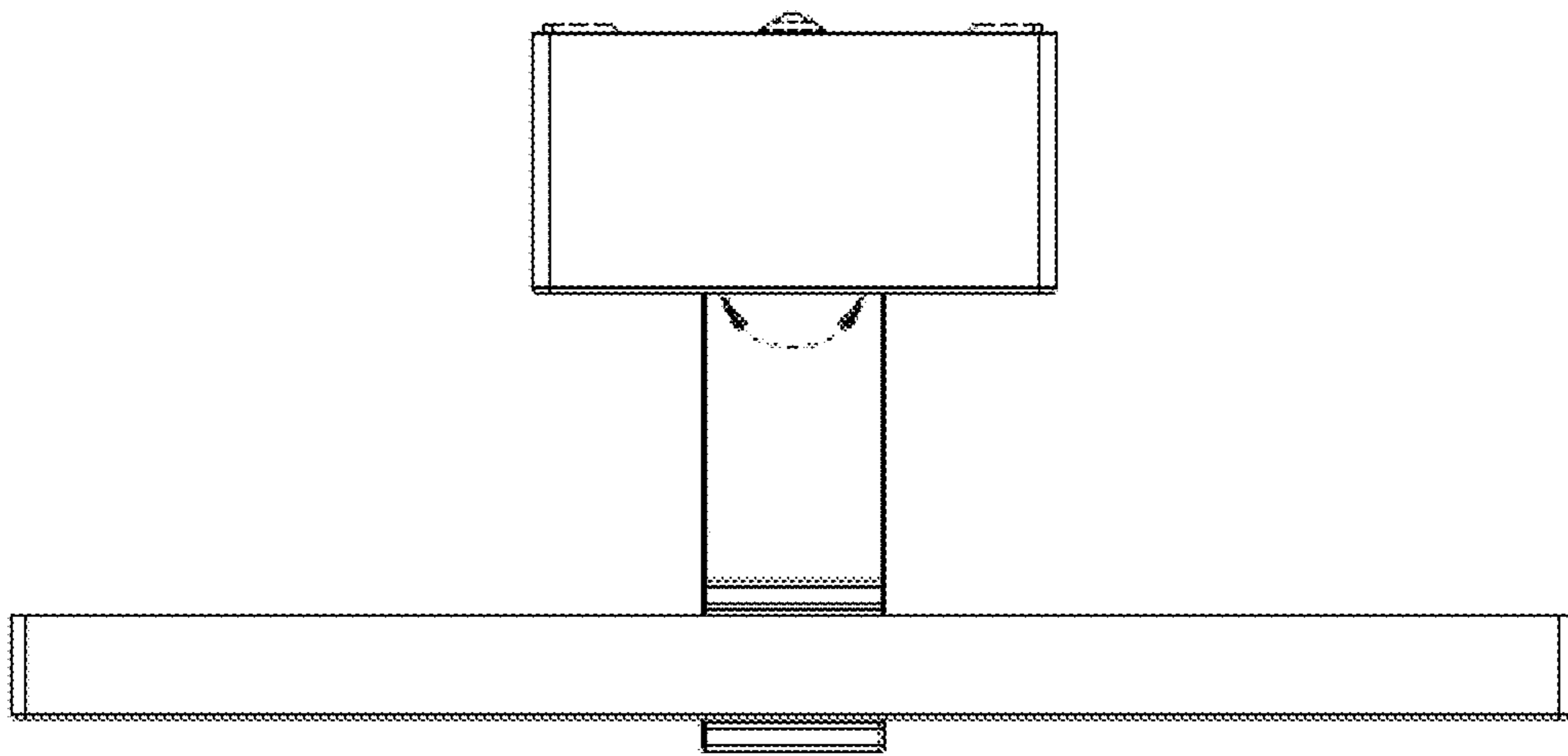


FIG. 5

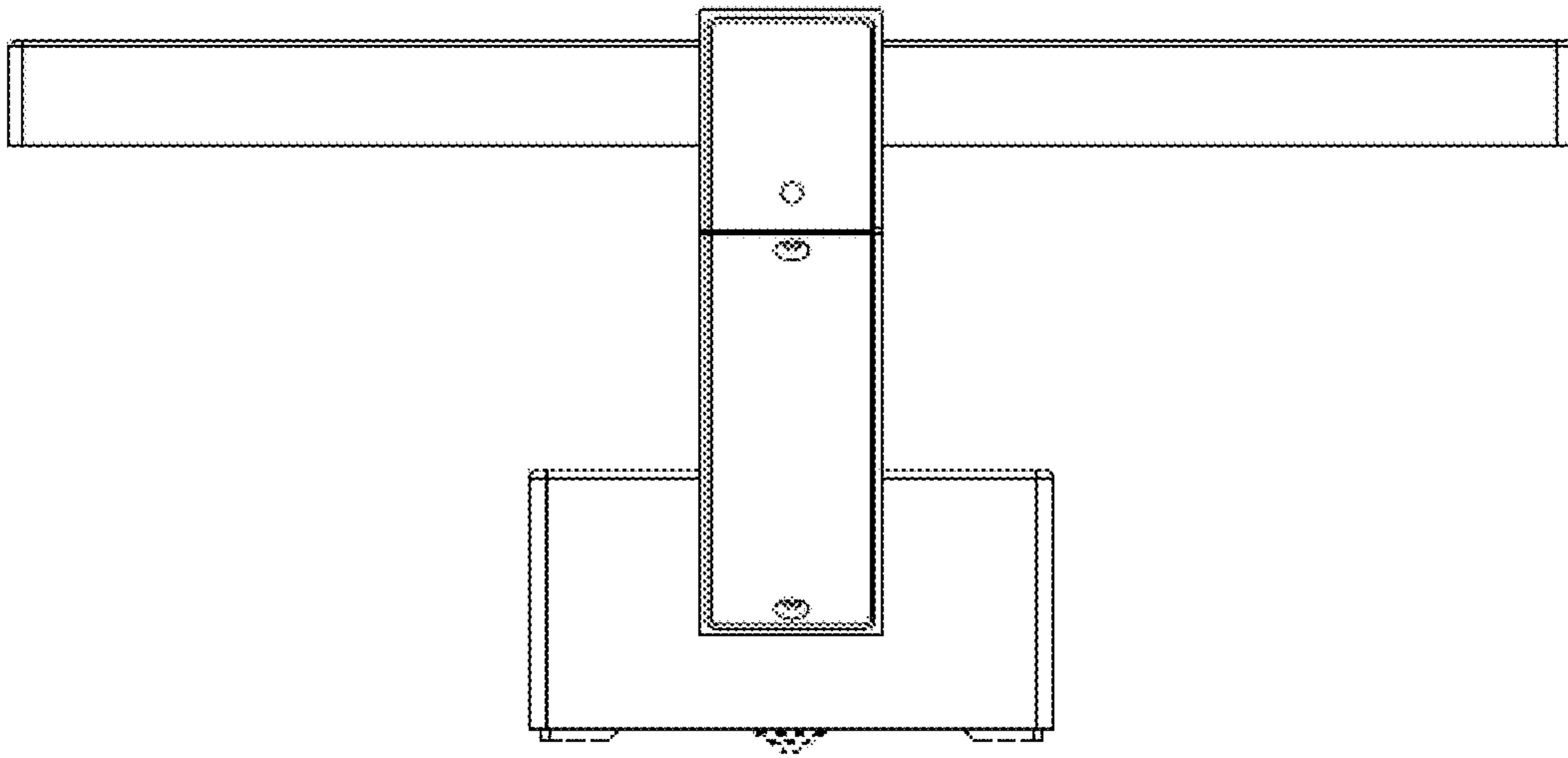


FIG. 6

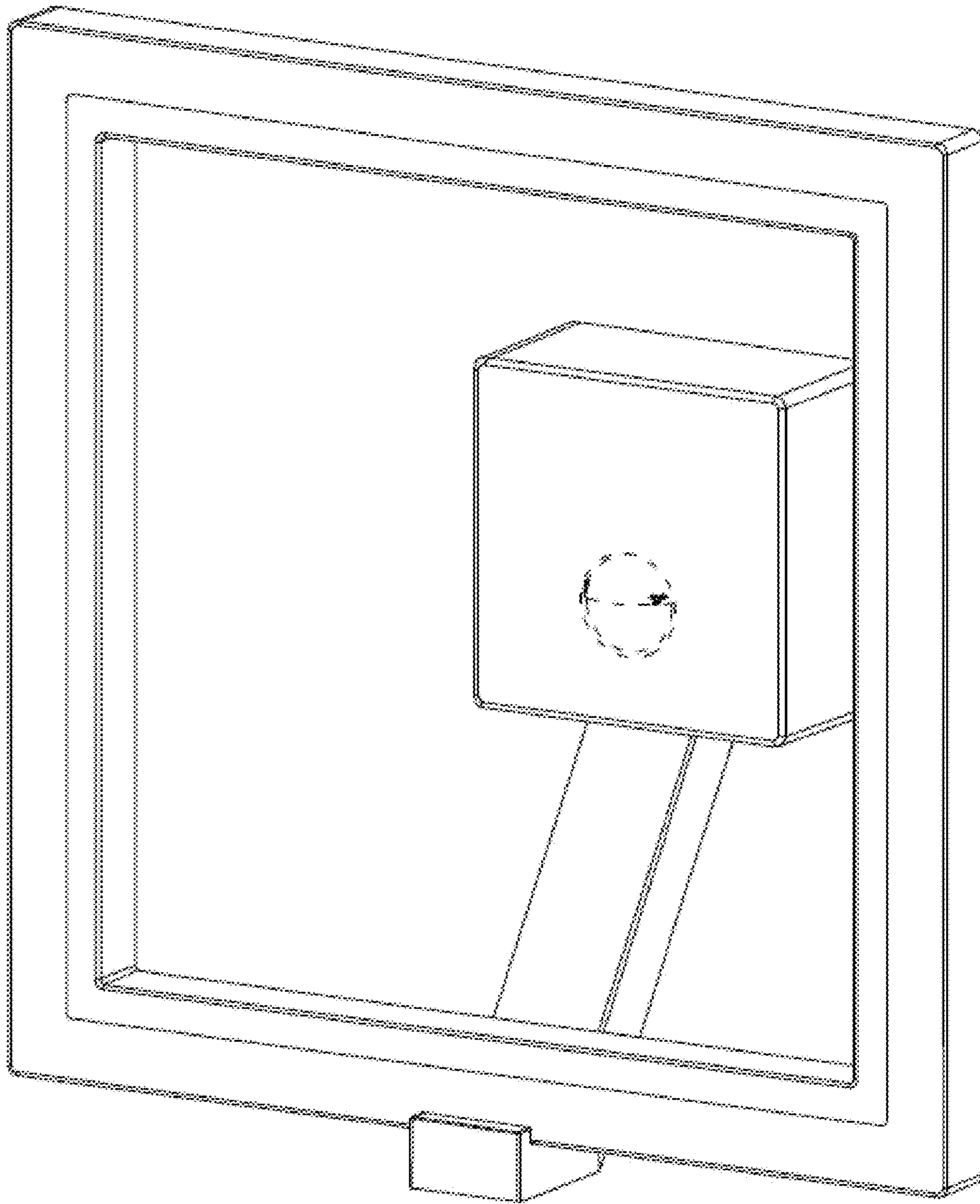


FIG. 7