



US00D827177S

(12) **United States Design Patent** (10) **Patent No.:** **US D827,177 S**  
**Thote** (45) **Date of Patent:** **\*\* Aug. 28, 2018**

(54) **LIGHT FIXTURE**

OTHER PUBLICATIONS

- (71) Applicant: **Prafulla Thote**, Pune (IN)
- (72) Inventor: **Prafulla Thote**, Pune (IN)
- (73) Assignee: **PRAFULLA THOTE**, Pune (IN)
- (\*\*) Term: **15 Years**
- (21) Appl. No.: **29/612,092**
- (22) Filed: **Jul. 28, 2017**
- (51) **LOC (11) Cl.** ..... **26-05**
- (52) **U.S. Cl.**  
USPC ..... **D26/71**
- (58) **Field of Classification Search**  
USPC ..... D10/111-115; D26/67-85, 92; D29/103  
CPC .. F21S 8/033; F21S 8/036; F21S 8/043; F21S  
8/081; F21S 8/085; F21S 8/086; F21S  
8/088; F21V 29/74; F21V 29/75; F21V  
29/83; F21V 29/507  
See application file for complete search history.

Laputa 30W 2400-3000lm Cool White Led Street Light (available online Sep. 19, 2016) Retrieved from the internet Mar. 9, 2018, retrieved from URL: <https://www.amazon.com/LAPUTA-2400-3000lm-Waterproof-Outdoor-Lighting/dp/B01M0HRB29>.\*

Samudra Light (available online) Retrieved from the internet Mar. 9, 2018, retrieved from google image at URL: [data:image/jpeg;base64,/9j/4AAQSkZJRgABAQAAQABAAAD/2wCEAAkGBxMSERUSERAWFRUVFhgXFhgVFRUSFRM-YFxmZGxgXFhYYHSggGBolGxUVITEhJSktLi4uGB8zOD-MuNygTLisBCgoKDg0OGxAPFy0dHx8vListKy0tLS0tKy0tL-S0tLSstLS0rKzAtLS0tLS0tLS0tK.\\*](data:image/jpeg;base64,/9j/4AAQSkZJRgABAQAAQABAAAD/2wCEAAkGBxMSERUSERAWFRUVFhgXFhgVFRUSFRM-YFxmZGxgXFhYYHSggGBolGxUVITEhJSktLi4uGB8zOD-MuNygTLisBCgoKDg0OGxAPFy0dHx8vListKy0tLS0tKy0tL-S0tLSstLS0rKzAtLS0tLS0tLS0tK.*)\*

\* cited by examiner

*Primary Examiner* — Kevin K Rudzinski  
*Assistant Examiner* — Richard Kearney  
 (74) *Attorney, Agent, or Firm* — Shumaker, Loop & Kendrick, LLP

(57) **CLAIM**

The ornamental design for a light fixture, as shown and described.

**DESCRIPTION**

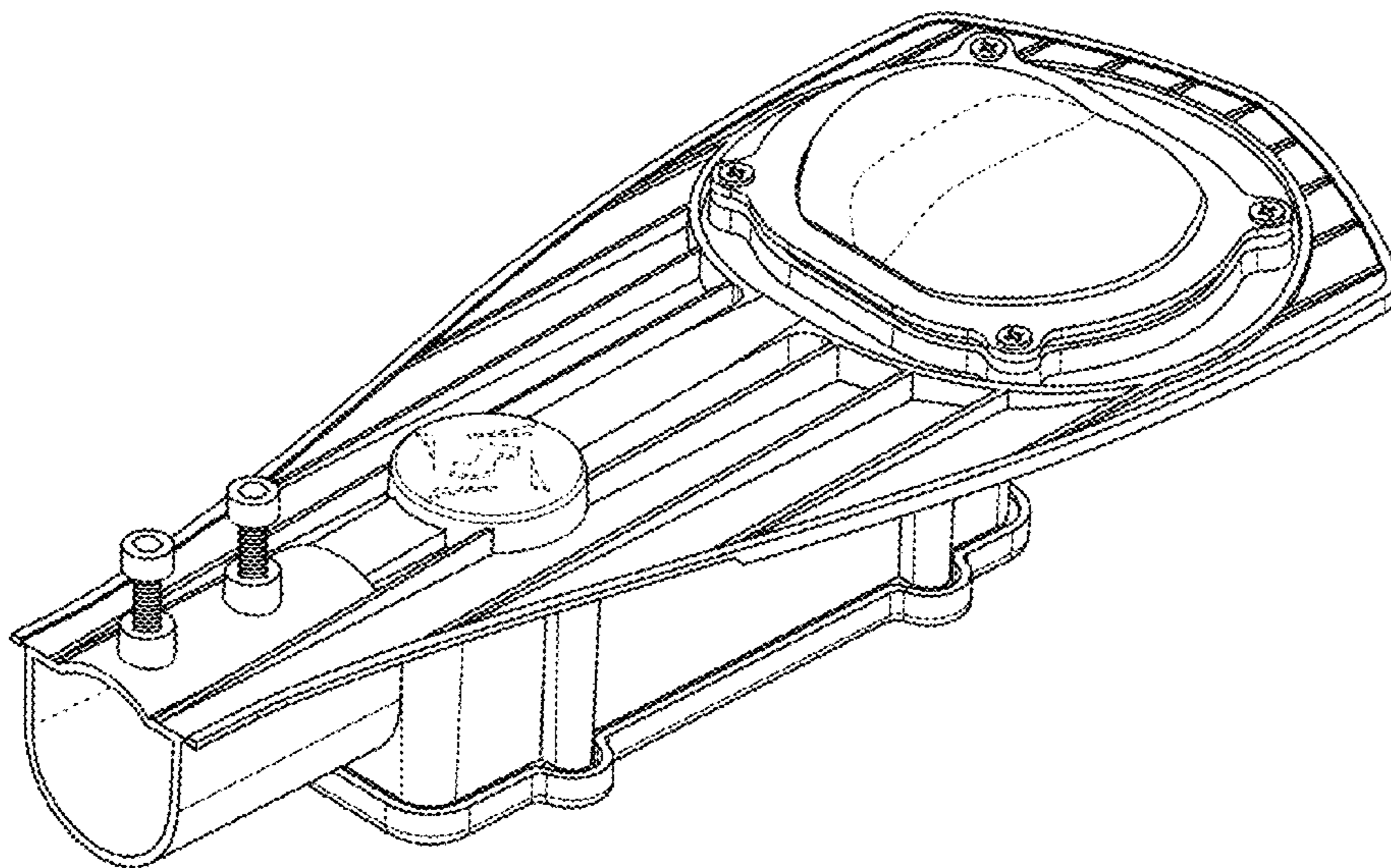
FIG. 1 is a perspective view of a light fixture showing my new design;  
 FIG. 2 is a front view thereof;  
 FIG. 3 is a back view thereof;  
 FIG. 4 is a left side view thereof;  
 FIG. 5 is a right side view thereof;  
 FIG. 6 is a top view thereof; and,  
 FIG. 7 is a bottom view thereof.  
 The broken lines in the drawings illustrate portions of the light fixture that form no part of the claimed design.

**1 Claim, 5 Drawing Sheets**

(56) **References Cited**

U.S. PATENT DOCUMENTS

7,420,811	B2 *	9/2008	Chan	.....	F21V 29/004
					361/707
D599,939	S *	9/2009	Zheng	.....	D26/71
D648,884	S *	11/2011	Tortel	.....	D26/71
D676,178	S *	2/2013	Akinrele	.....	D26/71
D693,513	S *	11/2013	Nibaldi	.....	D26/71
D694,449	S *	11/2013	Walker	.....	D26/63
D708,379	S *	7/2014	Ruffalo	.....	D26/71
D708,380	S *	7/2014	Ruffalo	.....	D26/71
D760,935	S *	7/2016	Jurdana	.....	D26/71
9,435,519	B2 *	9/2016	Kinnune	.....	F21V 29/74
2014/0169003	A1 *	6/2014	Wang	.....	F21V 29/763
					362/373



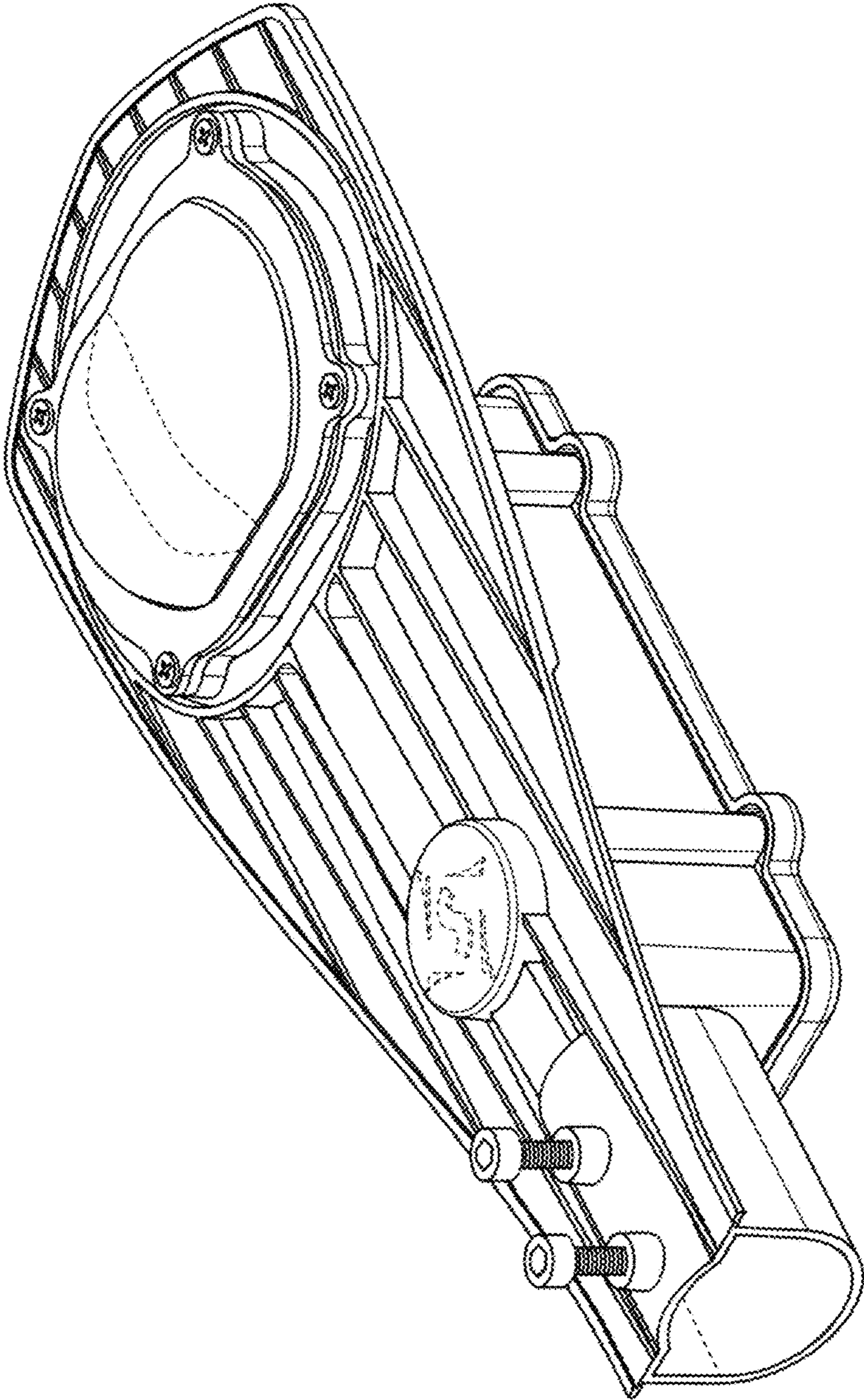


FIG. 1

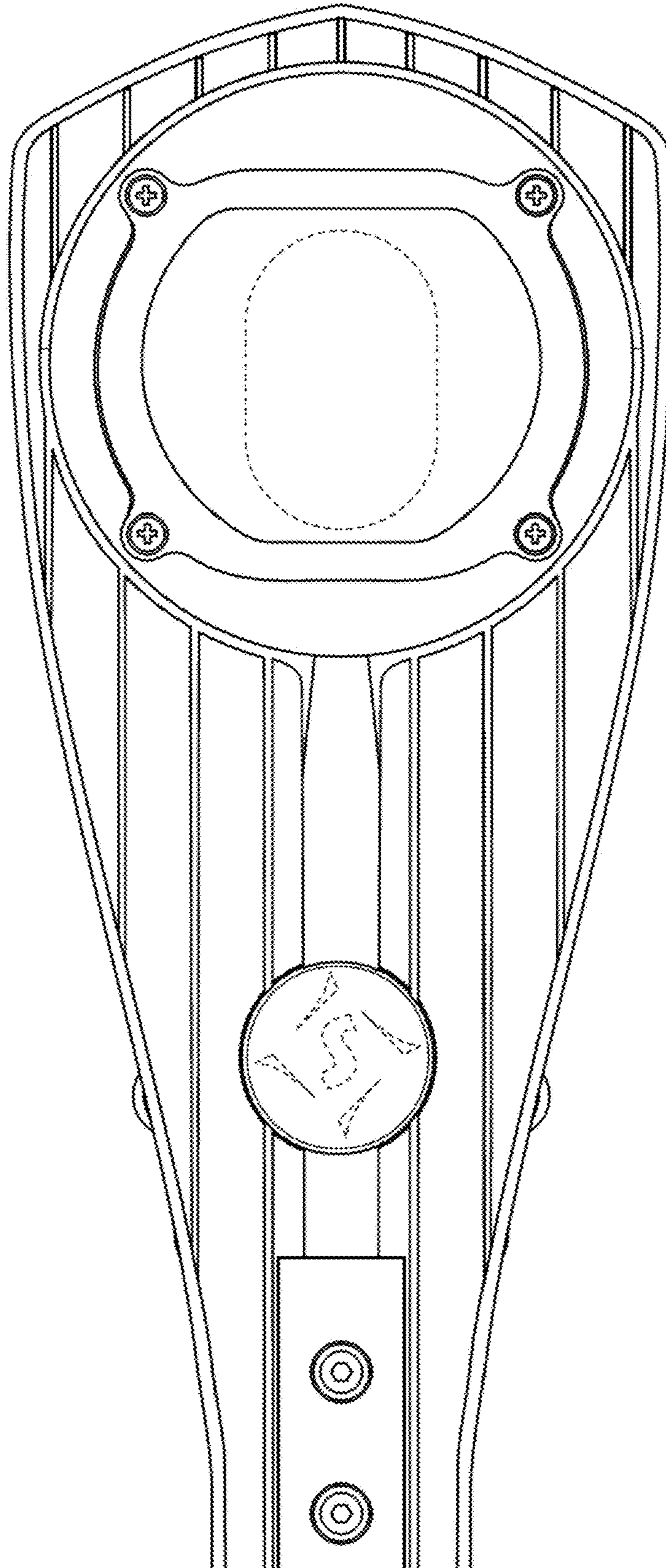


FIG. 2

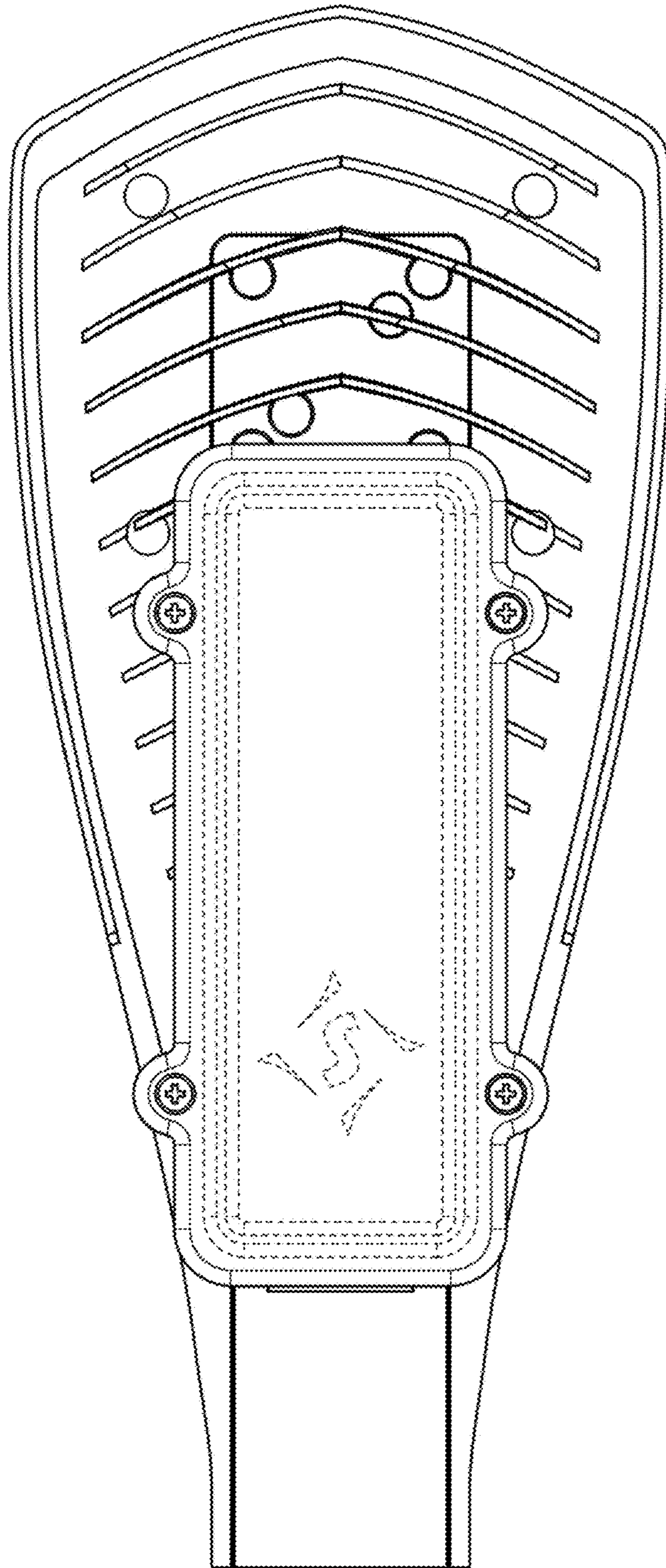


FIG. 3

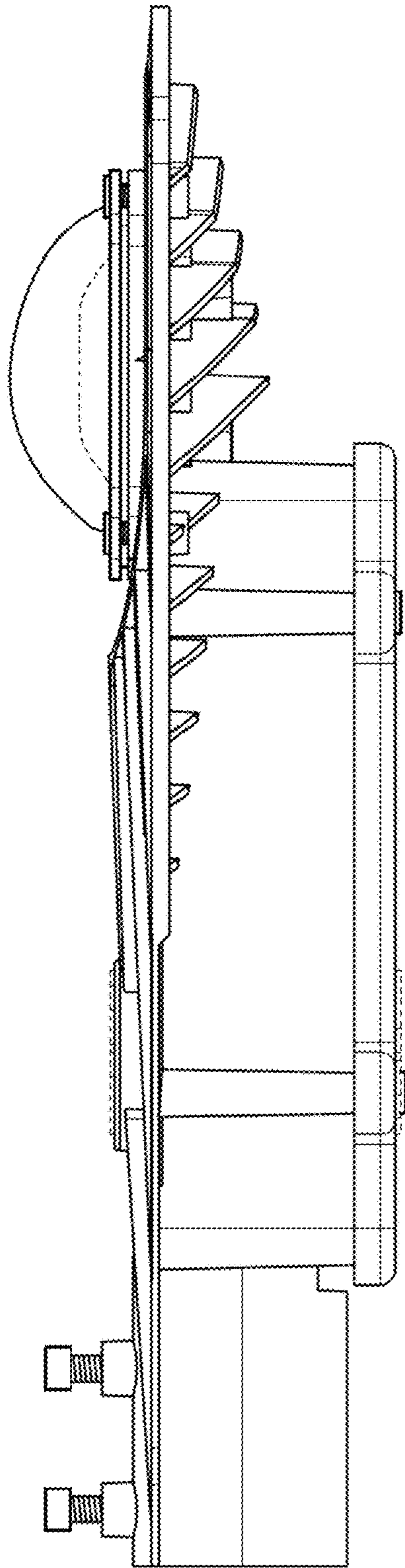


FIG. 4

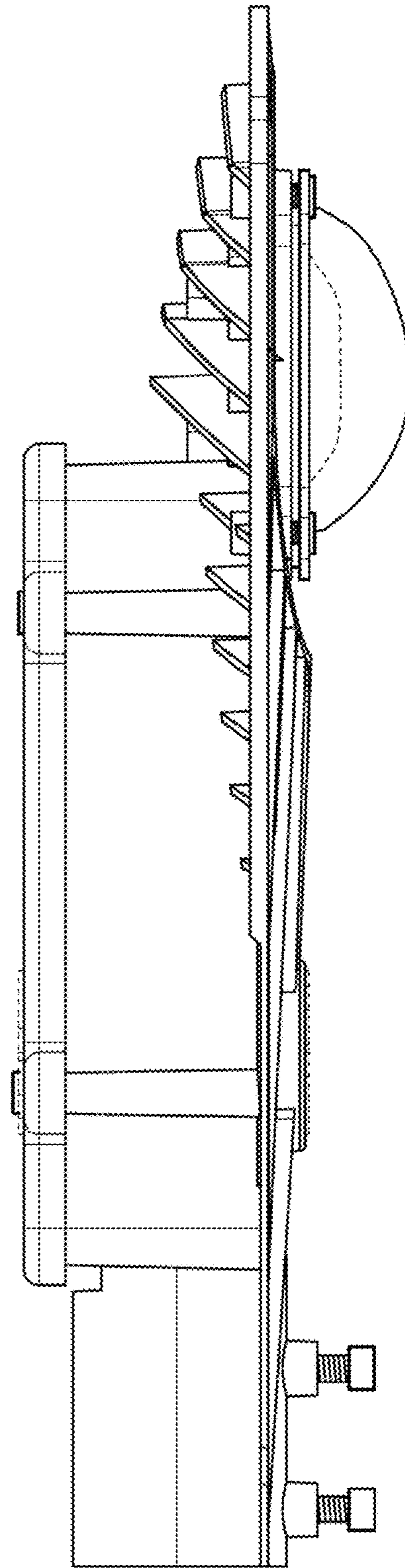


FIG. 5

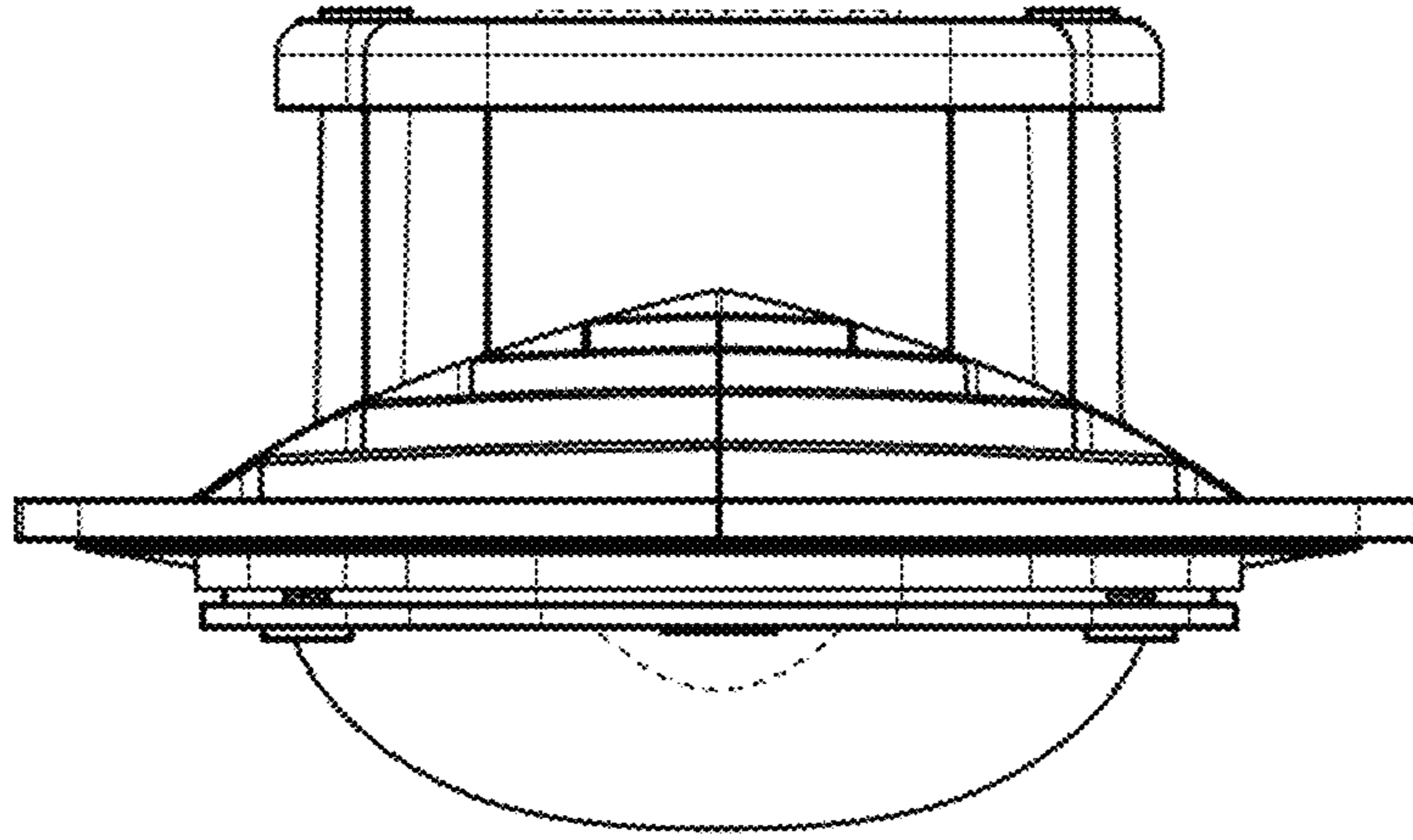


FIG. 6

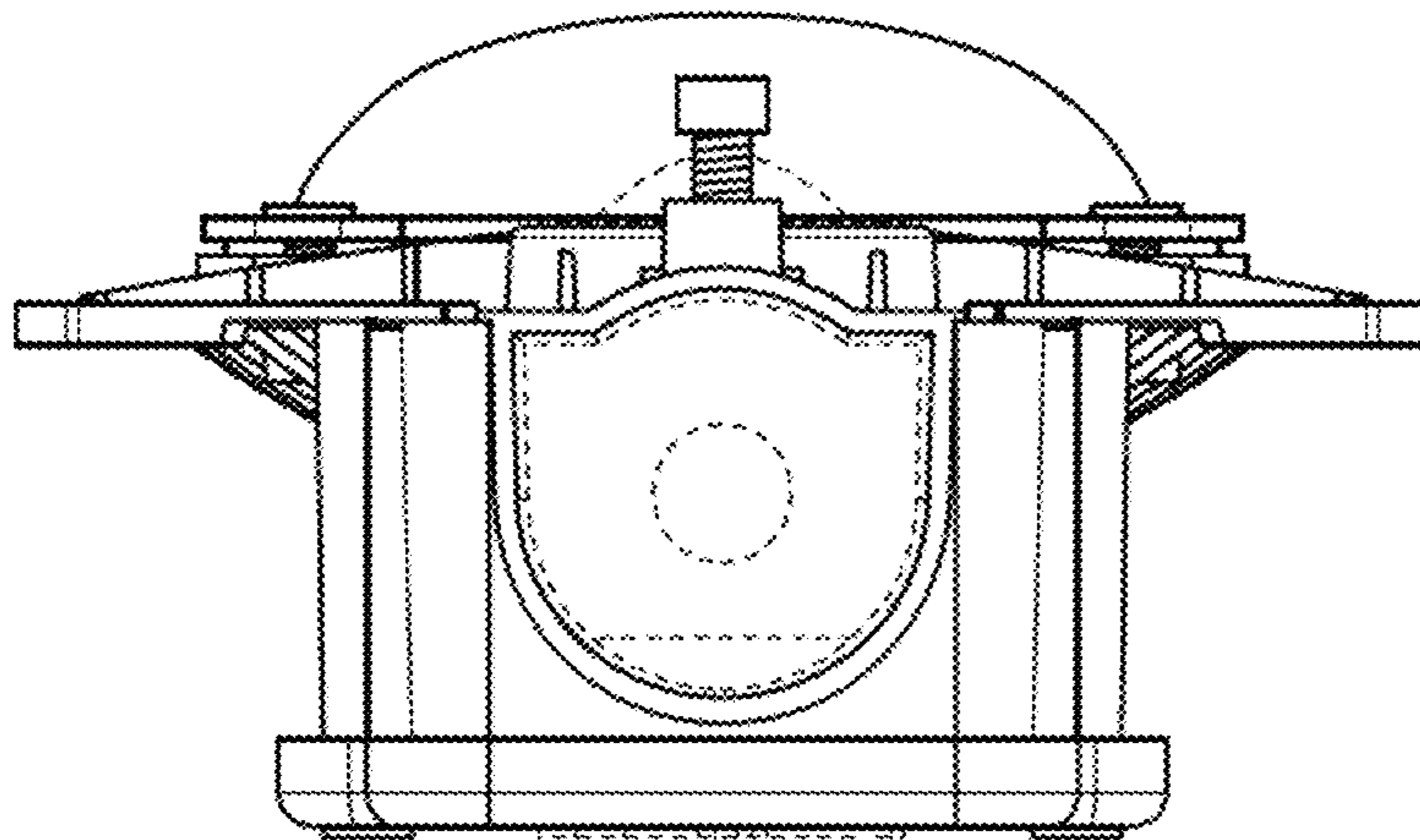


FIG. 7