



US00D827176S

(12) **United States Design Patent**  
**Mirchandani**

(10) **Patent No.:** **US D827,176 S**

(45) **Date of Patent:** **\*\* Aug. 28, 2018**

(54) **LASER LIGHT**

(71) Applicant: **Tristar Products, Inc.**, Fairfield, NJ  
(US)

(72) Inventor: **Keith Mirchandani**, Fairfield, NJ (US)

(73) Assignee: **Tristar Products, Inc.**, Fairfield, NJ  
(US)

(\*\*) Term: **15 Years**

(21) Appl. No.: **29/590,502**

(22) Filed: **Jan. 11, 2017**

**Related U.S. Application Data**

(63) Continuation of application No. 29/552,992, filed on  
Jan. 27, 2016, now Pat. No. Des. 777,965.

(51) **LOC (11) Cl.** ..... **26-05**

(52) **U.S. Cl.**  
USPC ..... **D26/67**

(58) **Field of Classification Search**

USPC ..... D26/63, 67, 68, 128, 138  
CPC .... F21S 8/003; F21S 8/08; F21S 8/081; F21S  
8/083; F21S 9/03; F21S 9/032; F21S  
9/035; F21S 9/037; F21S 10/007; F21V  
21/0824; F21V 21/26; F21V 21/30;  
F21W 2121/004; F21W 2121/006; F21W  
2121/008; F21W 2131/10; F21W  
2131/109; G02B 27/20; G03B 21/56  
See application file for complete search history.

(56) **References Cited**

**U.S. PATENT DOCUMENTS**

4,814,961 A \* 3/1989 O'Brien ..... F21S 8/083  
362/291  
5,003,439 A \* 3/1991 Yang ..... F21V 21/30  
362/153  
5,036,447 A \* 7/1991 Taylor ..... F21V 21/0824  
248/156

D365,169 S \* 12/1995 Fillipp ..... D26/138  
D413,996 S 9/1999 Andrus et al.  
6,695,452 B2 2/2004 Panasewicz et al.  
D542,959 S 5/2007 Yao  
D551,789 S 9/2007 Mullen  
D574,532 S 8/2008 Lee et al.  
RE41,050 E 12/2009 Panasewicz et al.  
D654,200 S 2/2012 Chen  
D654,605 S 2/2012 Chen  
D659,871 S 5/2012 Lee et al.  
D762,903 S 8/2016 Tsai

(Continued)

*Primary Examiner* — Clare E Heflin

(74) *Attorney, Agent, or Firm* — Alder Pollock &  
Sheehan P.C.; Daniel J. Holmander, Esq.

(57)

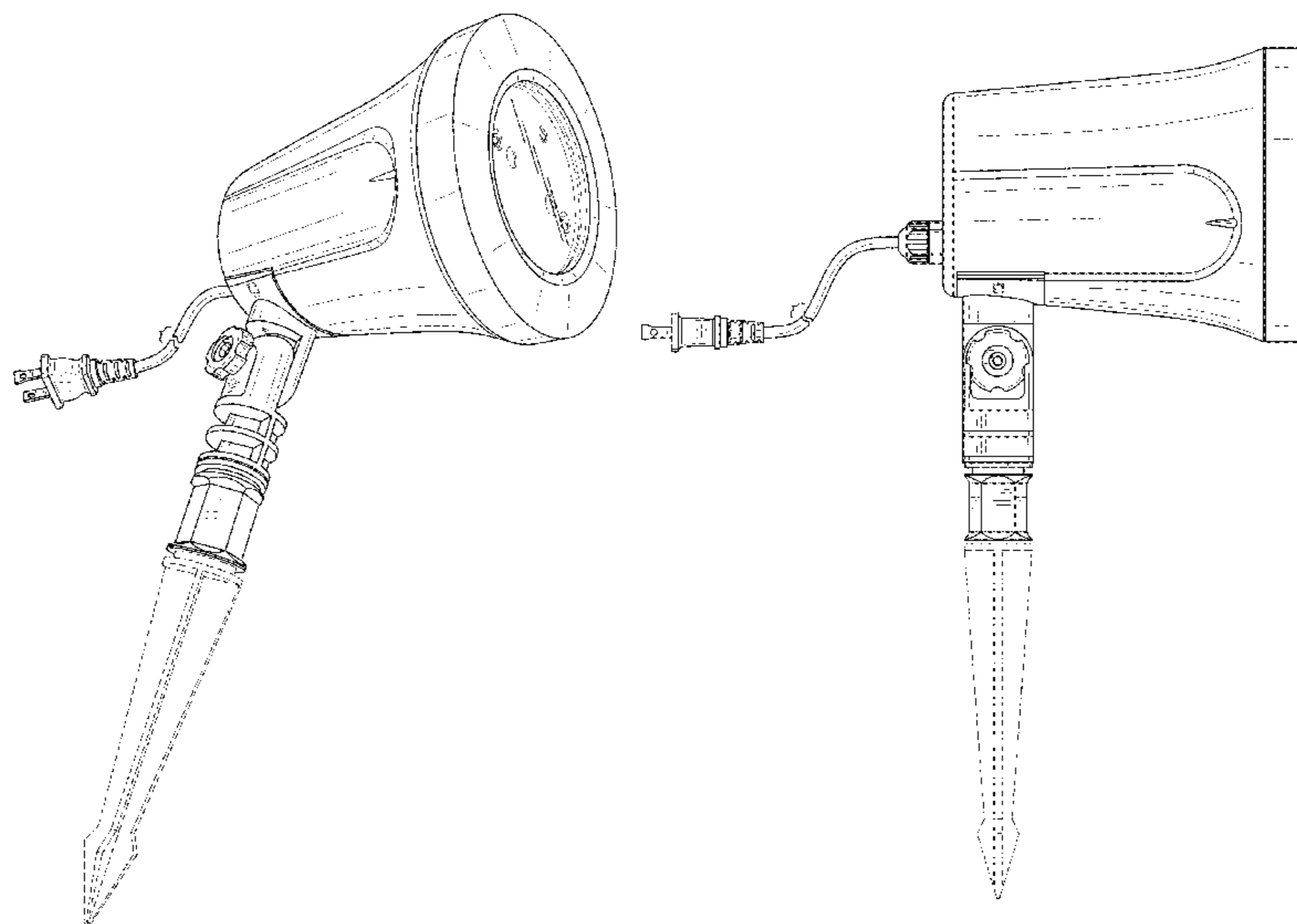
**CLAIM**

The ornamental design for a laser light, as shown and  
described.

**DESCRIPTION**

FIG. 1 is a perspective view of a laser light.  
FIG. 2 is a front view of the laser light of FIG. 1.  
FIG. 3 is a rear view of the laser light of FIG. 1.  
FIG. 4 is a side view of the laser light of FIG. 1.  
FIG. 5 is the other side view of the laser light of FIG. 1.  
FIG. 6 is a top view of the laser light of FIG. 1.  
FIG. 7 is a bottom view of the laser light of FIG. 1.  
FIG. 8 is a perspective view of another laser light.  
FIG. 9 is a front view of the laser light of FIG. 8.  
FIG. 10 is a rear perspective view of the laser light of FIG.  
8.  
FIG. 11 is a side view of the laser light of FIG. 8.  
FIG. 12 is the other side view of the laser light of FIG. 8.  
FIG. 13 is a top view of the laser light of FIG. 8; and,  
FIG. 14 is a bottom view of the laser light of FIG. 8.  
The broken line showings of the laser light are included for  
the purpose of illustrating portions of the laser light and form  
no part of the claimed design.

**1 Claim, 14 Drawing Sheets**



(56)

## References Cited

## U.S. PATENT DOCUMENTS

D764,694 S 8/2016 Tsai  
D765,906 S 9/2016 Khubani et al.  
D766,483 S 9/2016 Khubani et al.  
D766,484 S 9/2016 Khubani et al.  
9,458,994 B1 10/2016 Khubani et al.  
D777,965 S \* 1/2017 Mirchandani ..... D26/67  
D779,098 S \* 2/2017 Tsai ..... D26/67  
D797,974 S \* 9/2017 Liang ..... D26/67  
D797,975 S \* 9/2017 Lentine ..... D26/67  
D799,106 S \* 10/2017 Adams, IV ..... D26/138  
2002/0101571 A1 \* 8/2002 Panasewicz ..... F21V 21/0824  
353/119  
2004/0119951 A1 6/2004 Vitantonio et al.  
2005/0103378 A1 \* 5/2005 Pu ..... F21S 9/032  
136/244  
2009/0122564 A1 \* 5/2009 Beadle ..... F21S 8/081  
362/431  
2009/0153807 A1 6/2009 Jackson  
2014/0119022 A1 \* 5/2014 Beausoleil ..... F21S 8/083  
362/294  
2015/0308666 A1 \* 10/2015 Jepson ..... F21S 8/08  
362/418  
2016/0369996 A1 \* 12/2016 Qin ..... F21V 21/0824  
2017/0082254 A1 \* 3/2017 Zhang ..... F21S 10/007  
2017/0175963 A1 \* 6/2017 Lentine ..... F21S 10/007  
2017/0191630 A1 \* 7/2017 Lentine ..... F21S 10/007  
2017/0191631 A1 \* 7/2017 Lentine ..... F21V 21/0824

\* cited by examiner

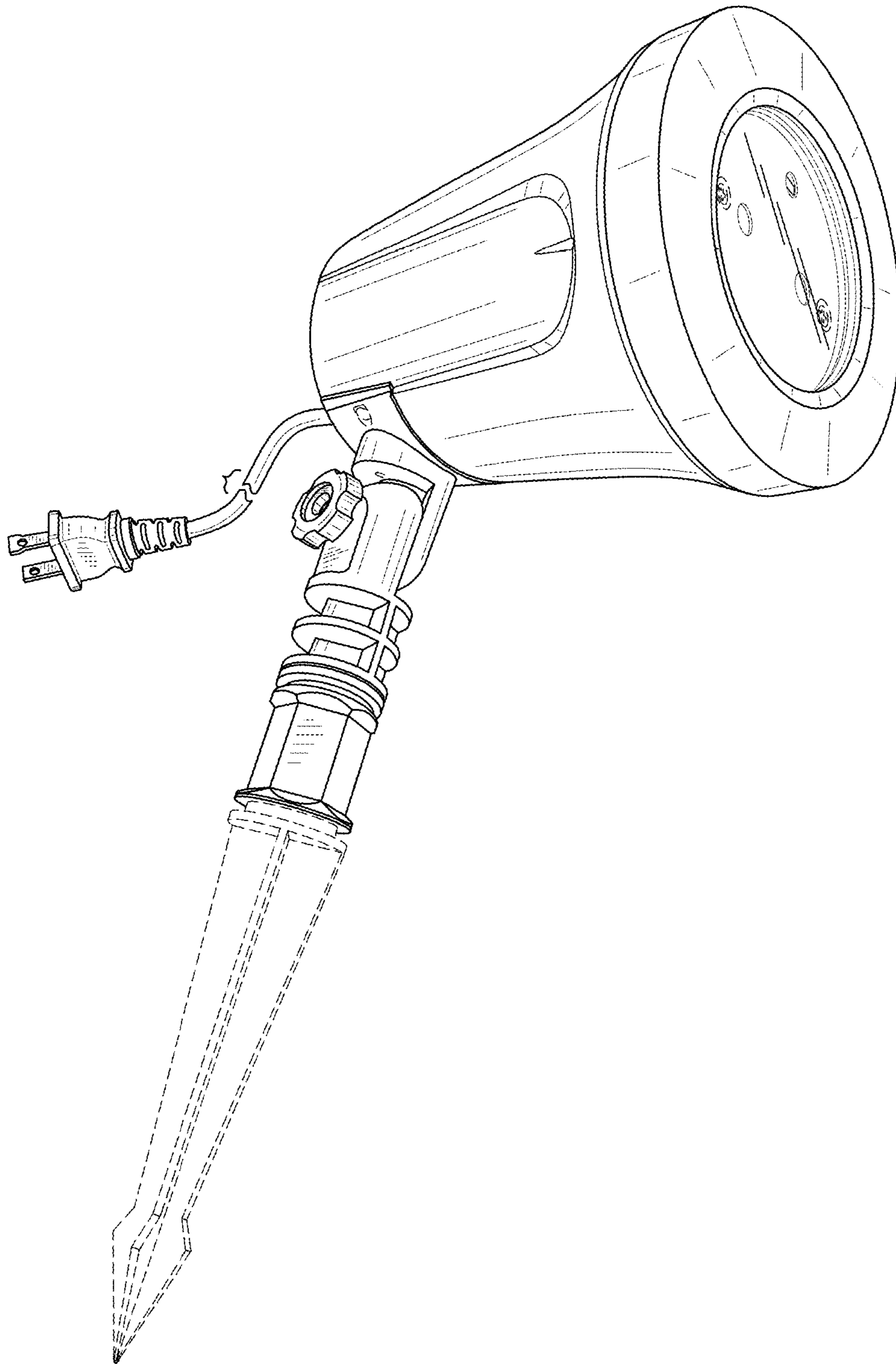


FIG. 1

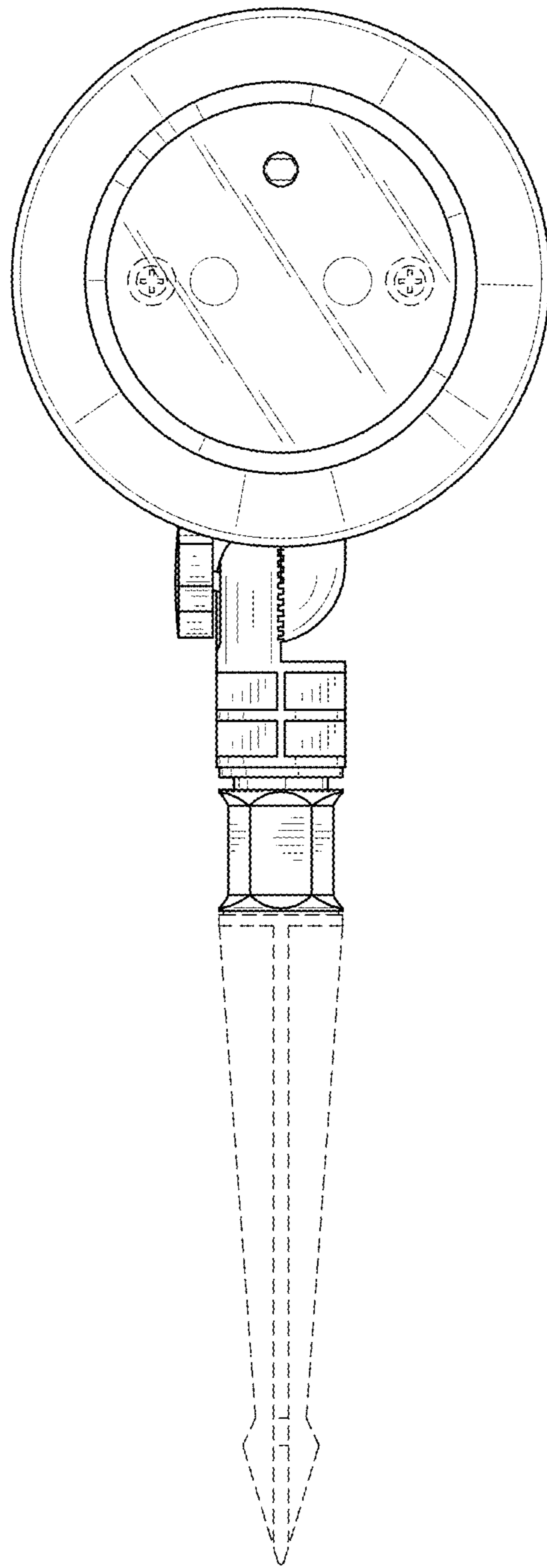


FIG. 2

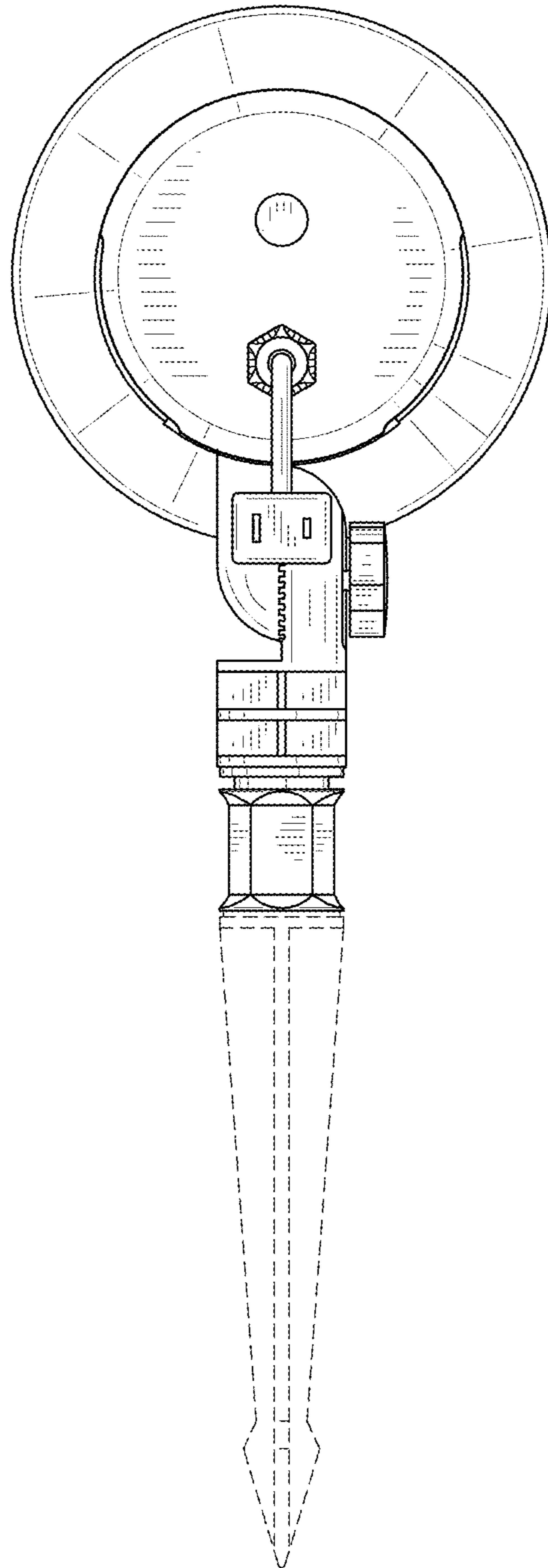


FIG. 3

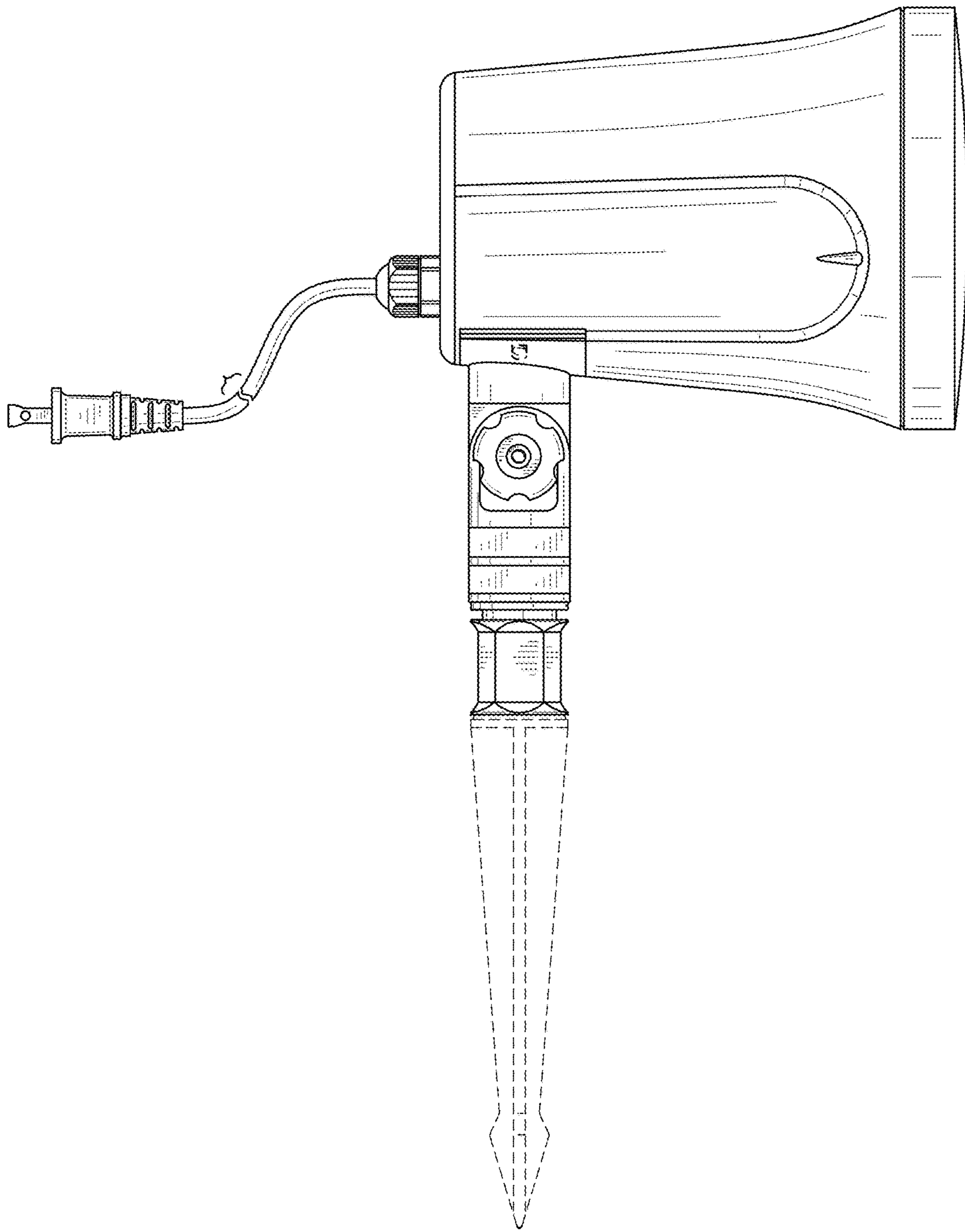


FIG. 4

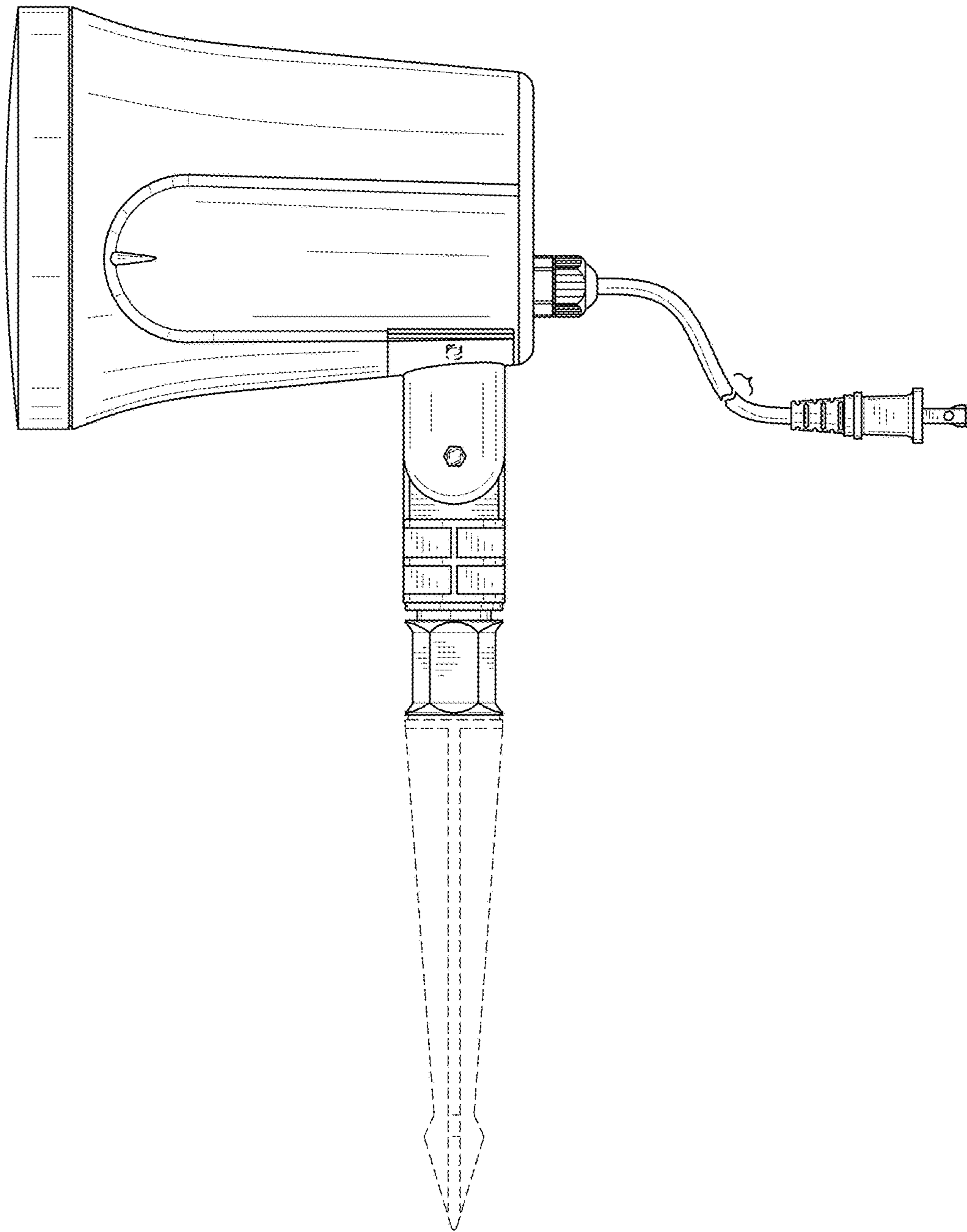


FIG. 5

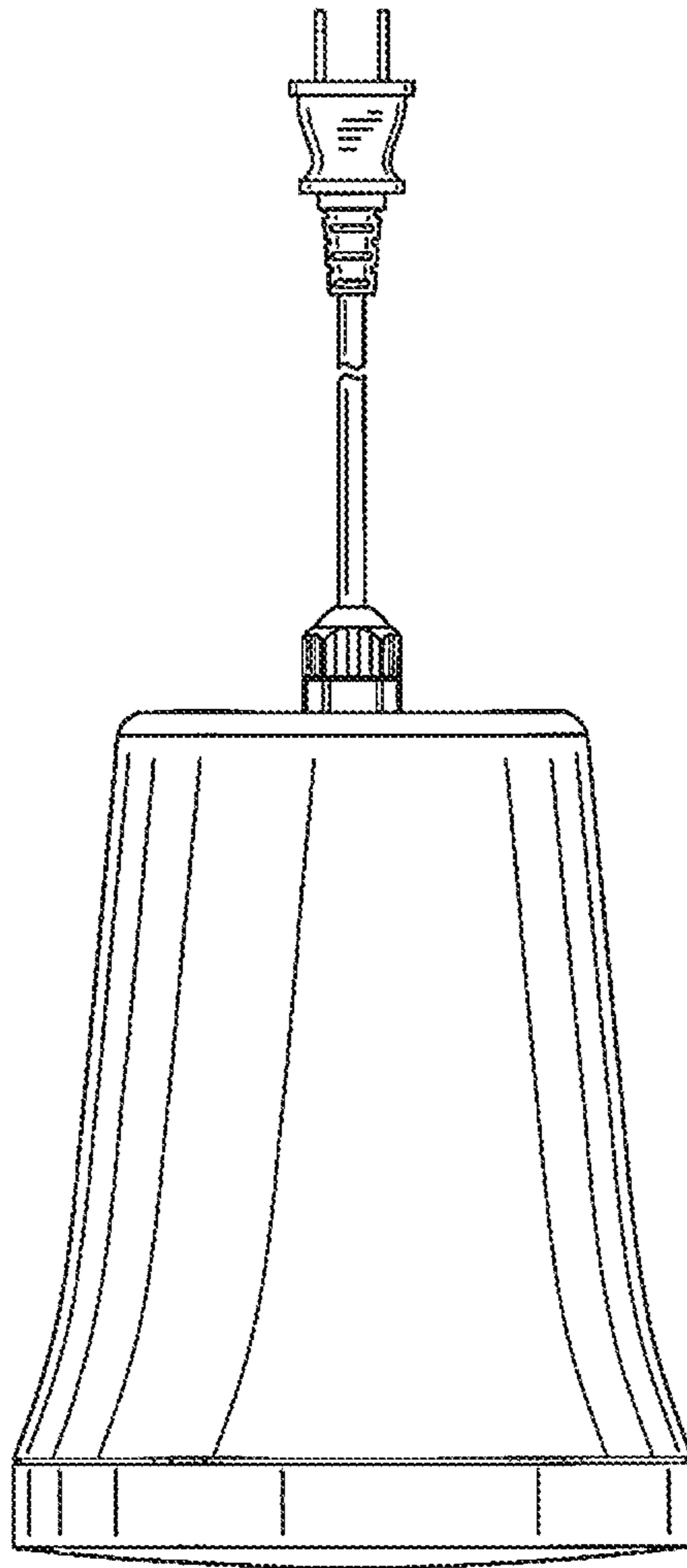


FIG. 6



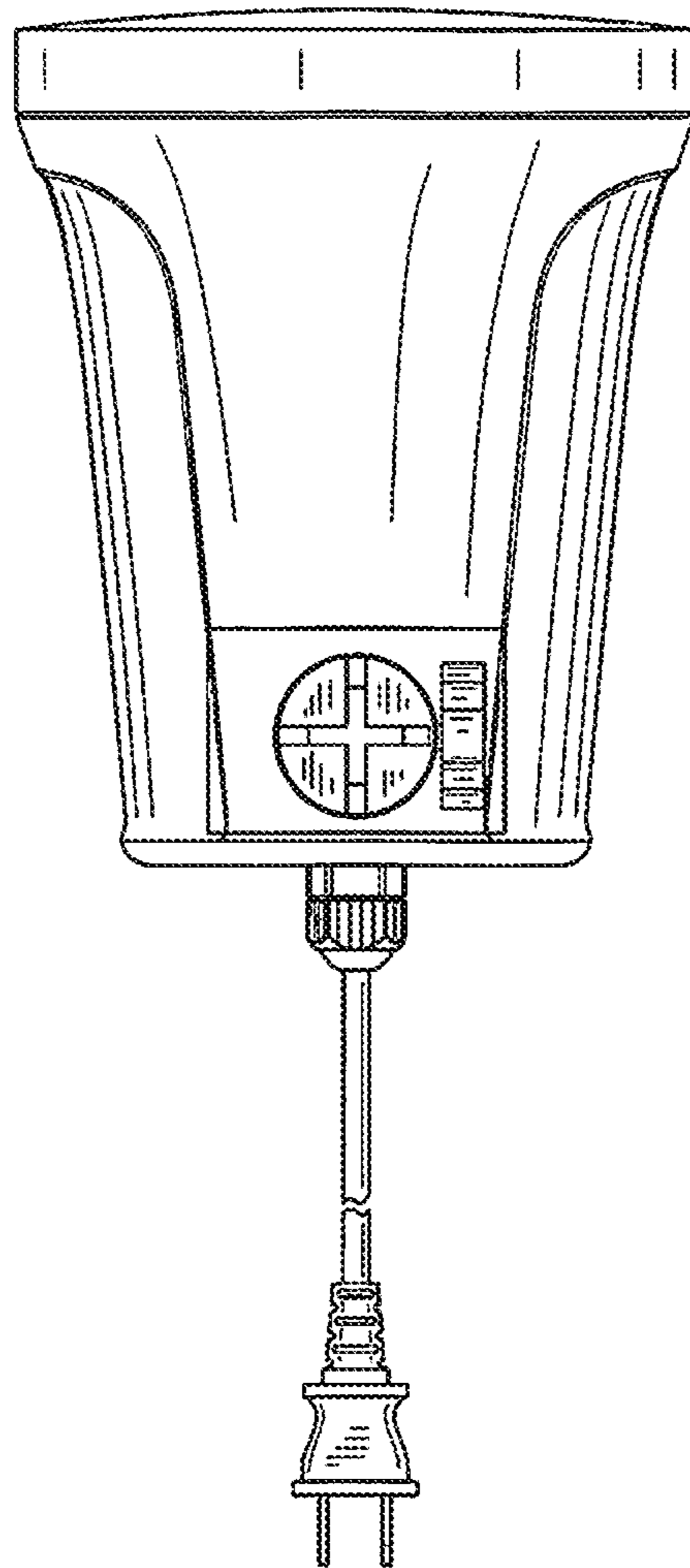


FIG. 7

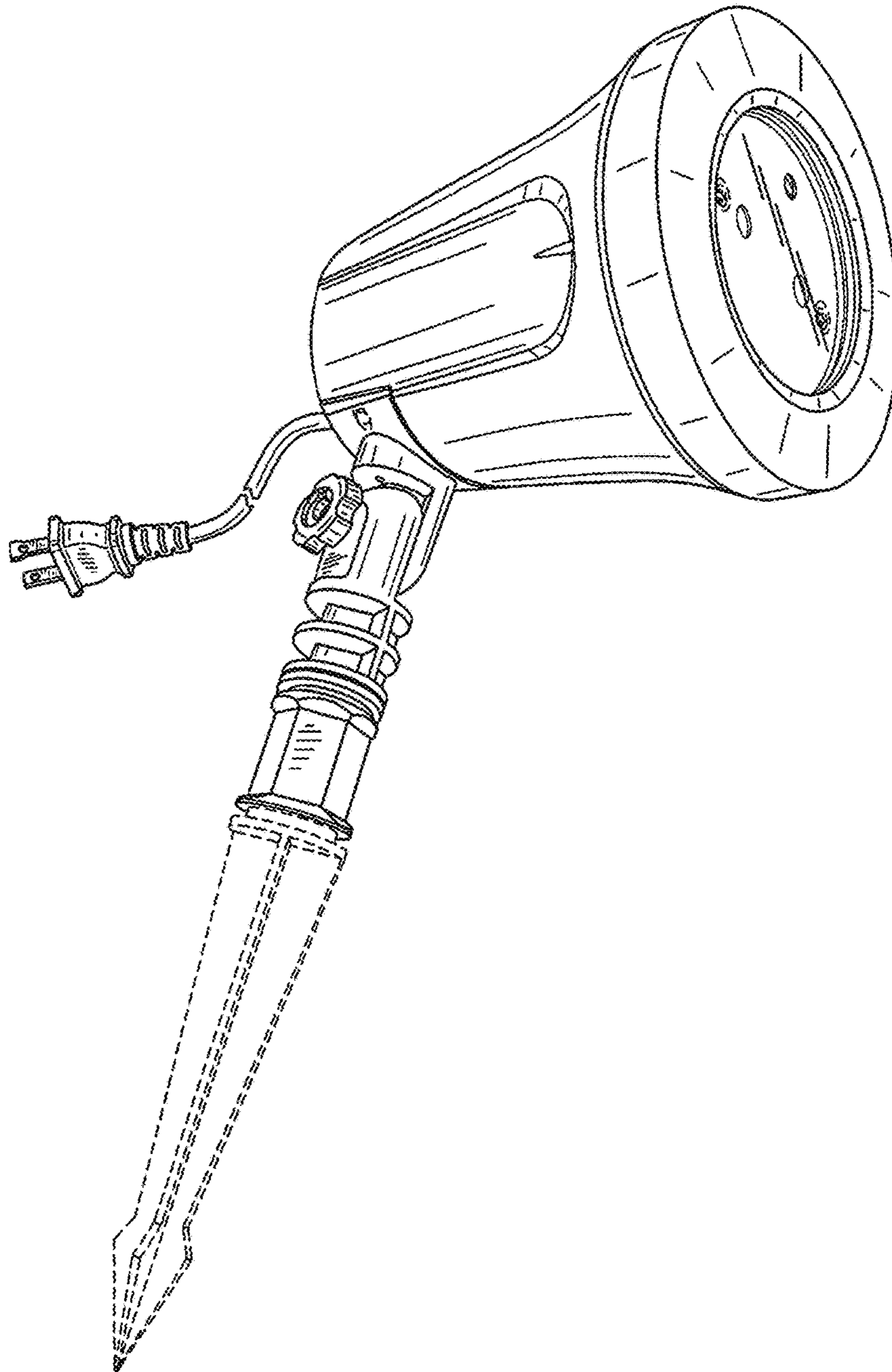


FIG. 8

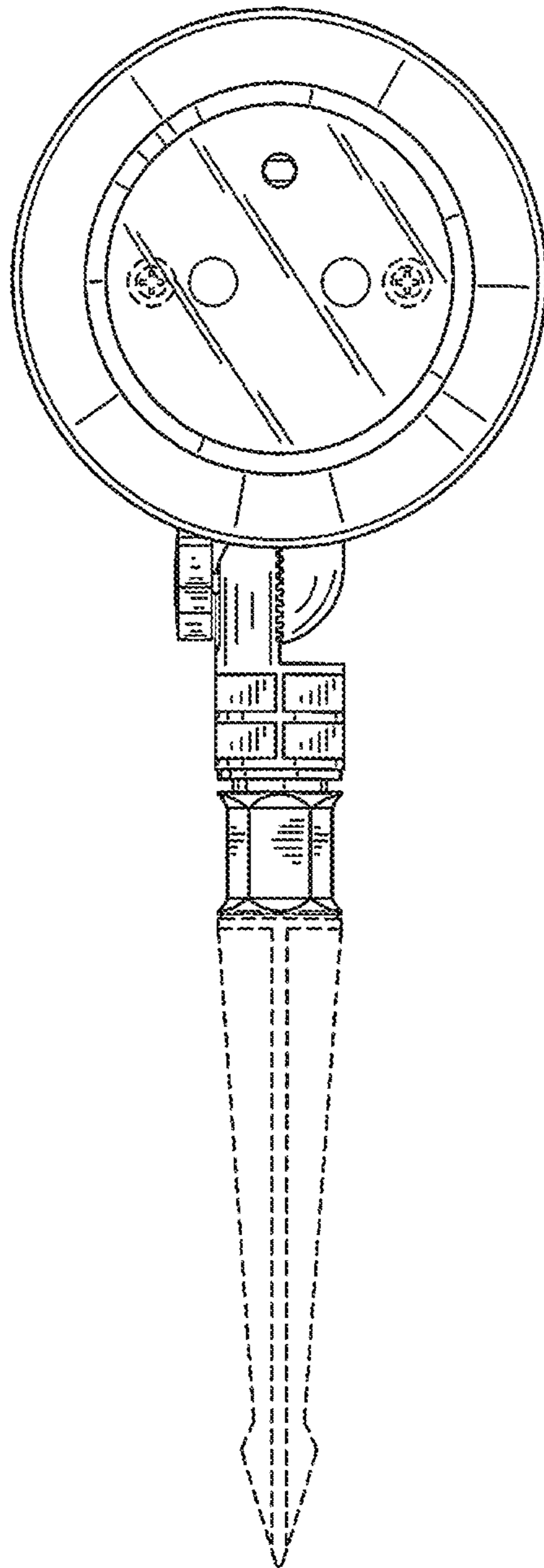


FIG. 9

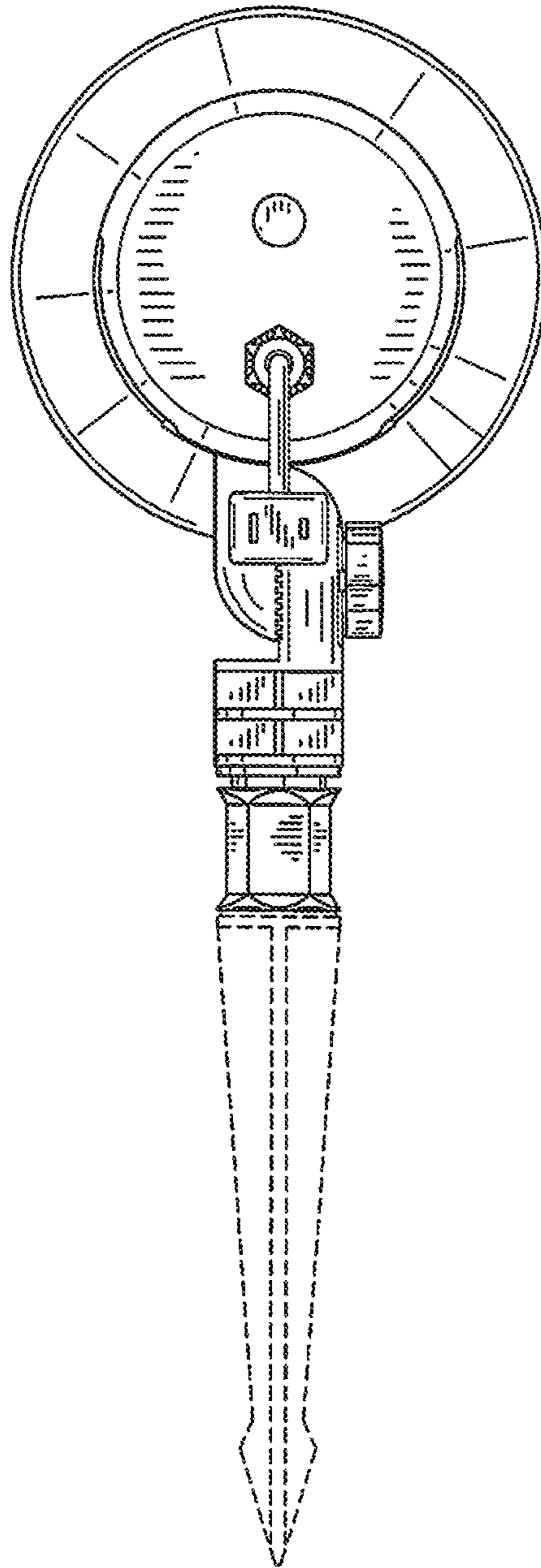


FIG. 10

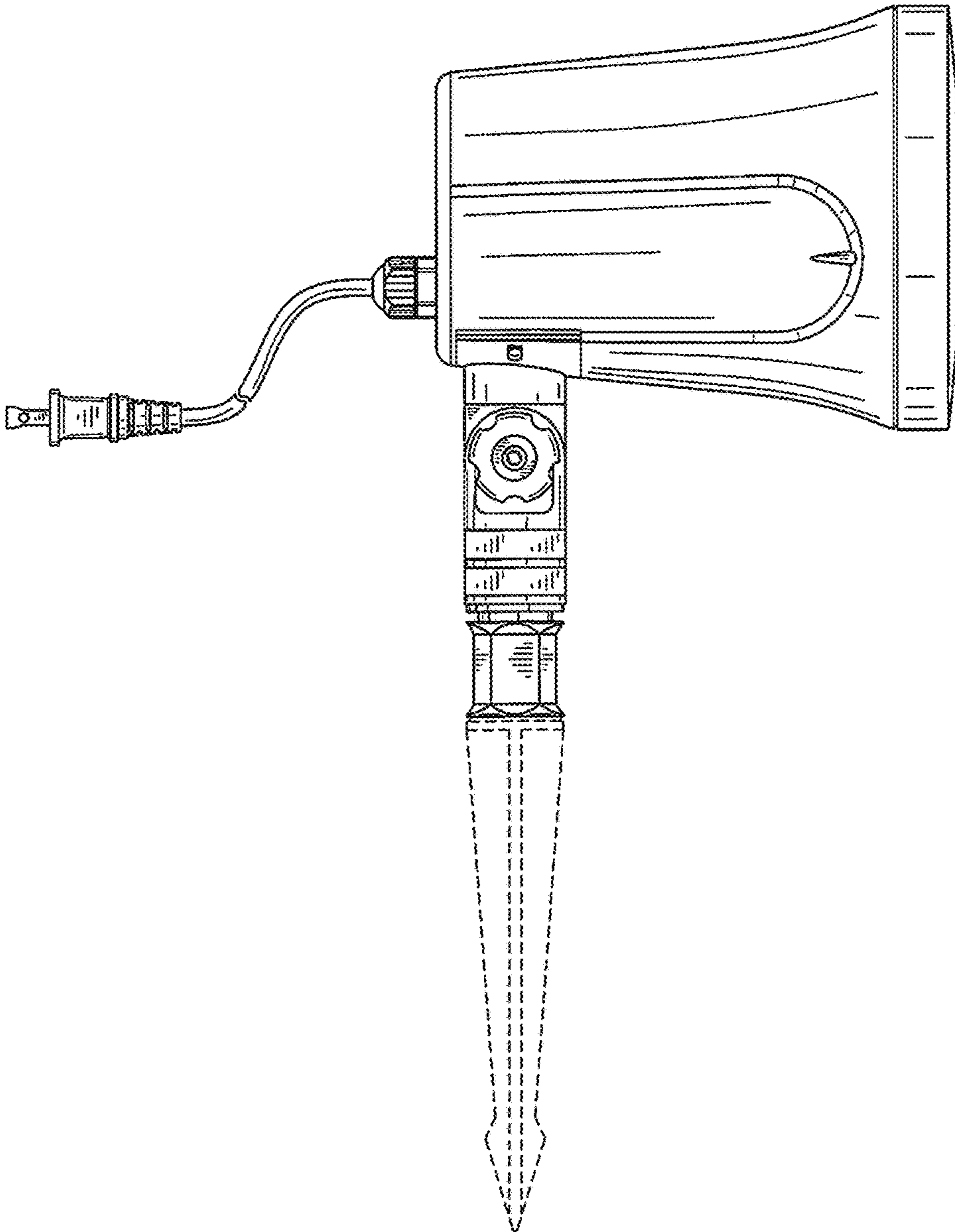


FIG. 11

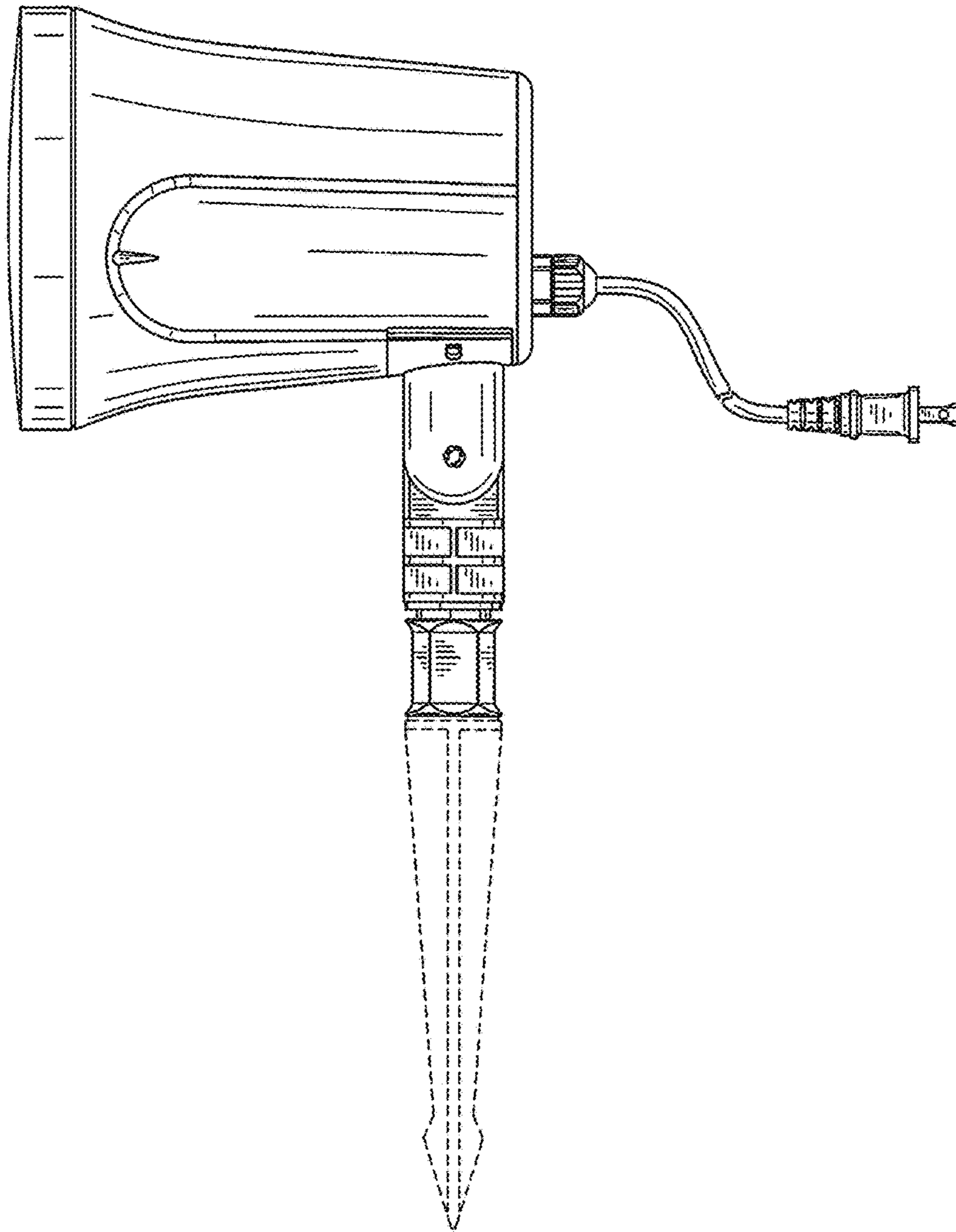


FIG. 12

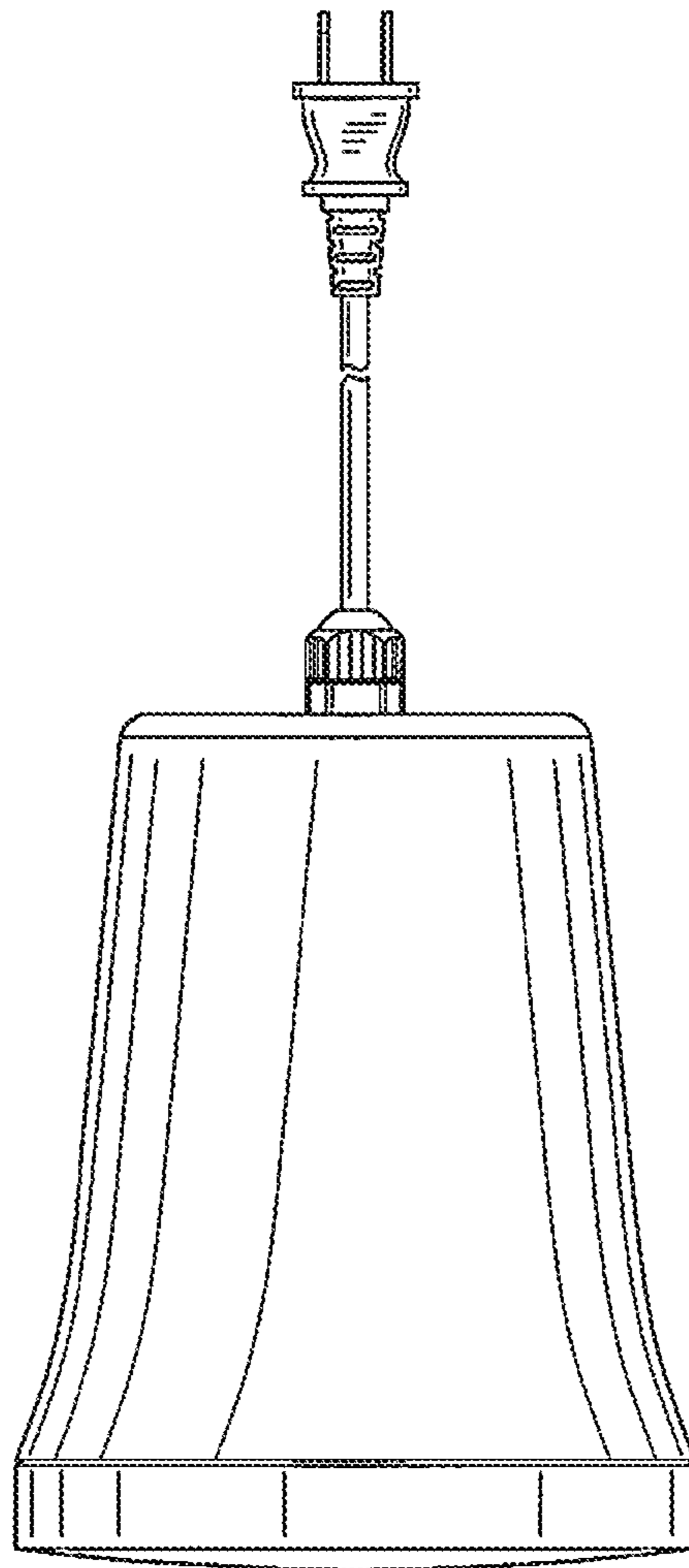


FIG. 13

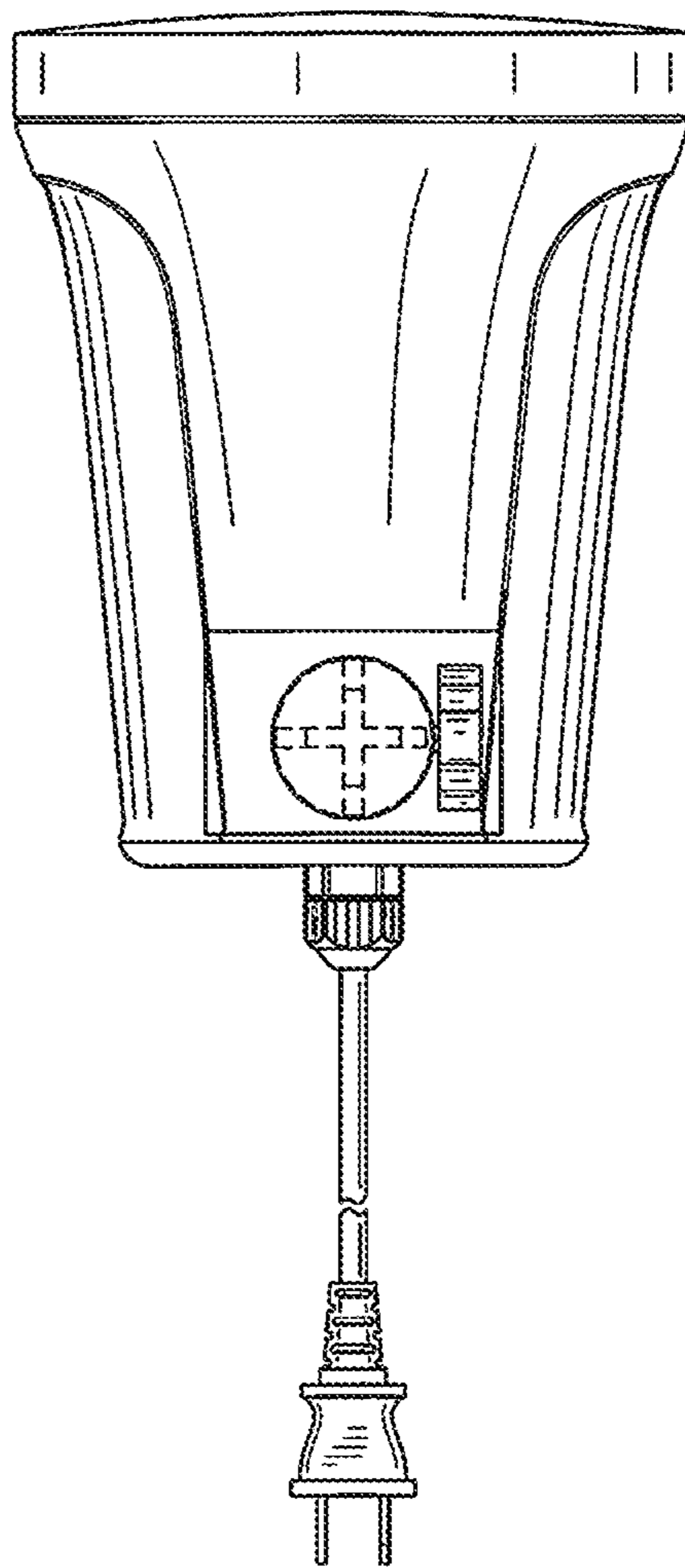


FIG. 14