



US00D827174S

(12) **United States Design Patent**
Yu

(10) **Patent No.:** **US D827,174 S**

(45) **Date of Patent:** **** Aug. 28, 2018**

(54) **LED HOUSING**

(71) Applicant: **Chung Han Yu**, City of Industry, CA
(US)

(72) Inventor: **Chung Han Yu**, City of Industry, CA
(US)

(**) Term: **15 Years**

(21) Appl. No.: **29/599,287**

(22) Filed: **Mar. 31, 2017**

(51) **LOC (11) Cl.** **26-03**

(52) **U.S. Cl.**
USPC **D26/63**

(58) **Field of Classification Search**
USPC D26/1, 24, 61, 63, 65, 85, 92
CPC F21V 21/14; F21V 15/01; F21V 14/02;
F21V 21/30; F21V 21/00; F21V 14/00;
F21S 8/00; F21S 8/003; F21S 8/043;
F21Y 2105/001

See application file for complete search history.

(56) **References Cited**

U.S. PATENT DOCUMENTS

D322,135 S * 12/1991 Wierzbicki D26/24
D695,435 S * 12/2013 Pedersen D26/63

D700,726 S * 3/2014 Kim D26/63
D767,806 S * 9/2016 Colacilli D26/63
D782,718 S * 3/2017 Ko D26/63
D799,094 S * 10/2017 Li D26/63
D799,729 S * 10/2017 Zhong D26/63

* cited by examiner

Primary Examiner — Brian N. Vinson

(74) *Attorney, Agent, or Firm* — Saul Ewing Arnstein & Lehr LLP

(57) **CLAIM**

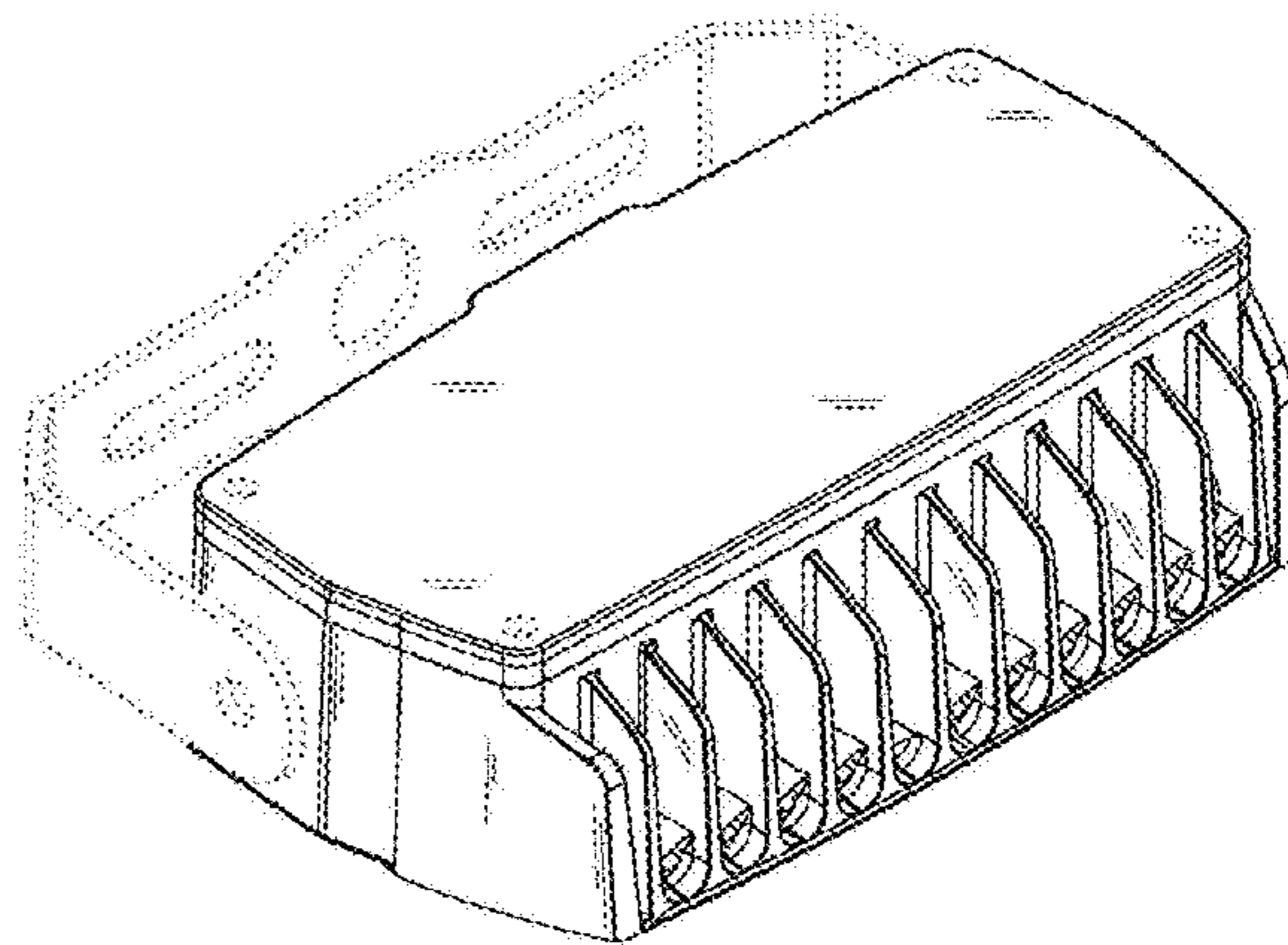
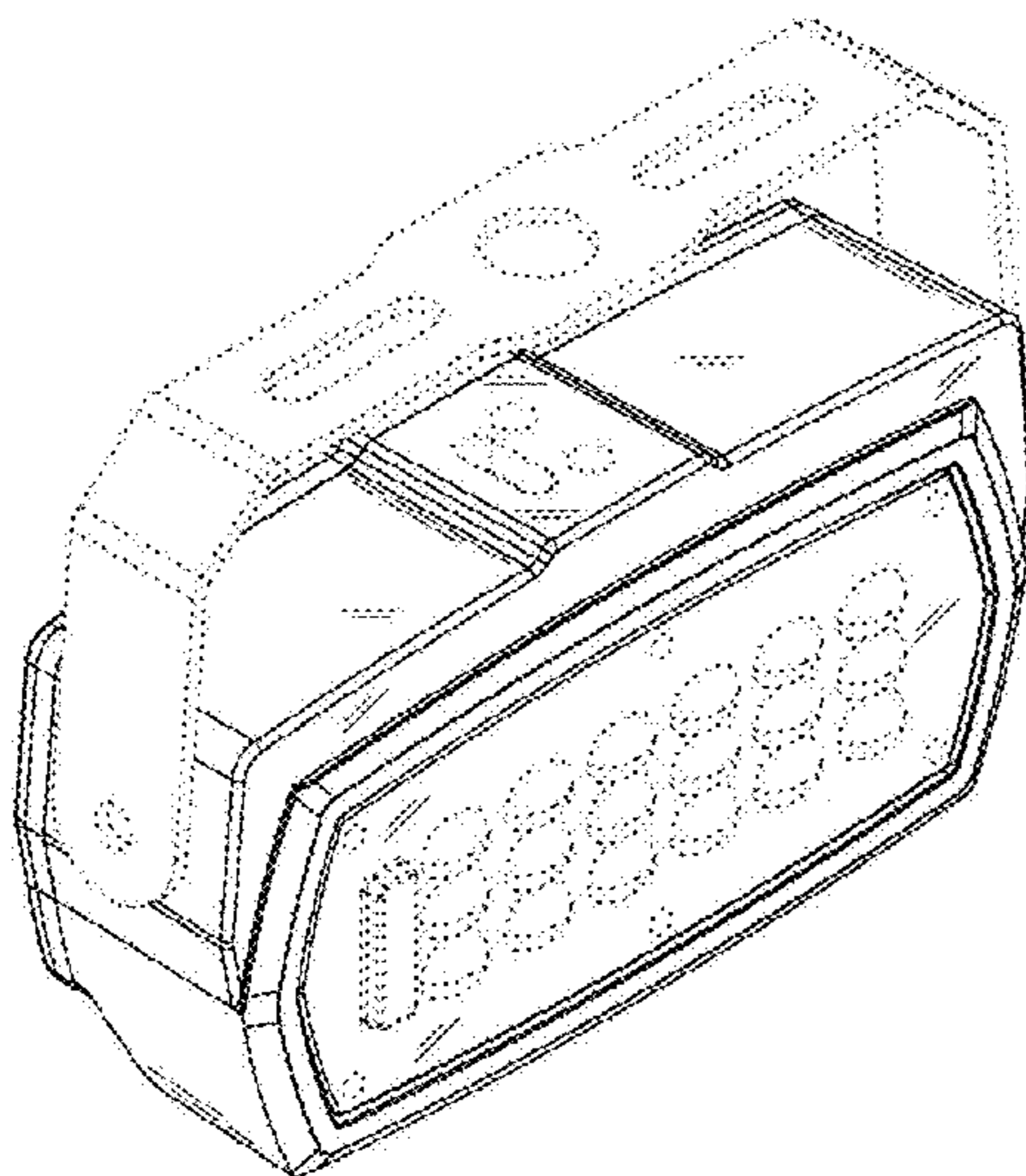
The ornamental design of an LED housing, as shown and described.

DESCRIPTION

FIG. 1 is a top, front, and left side perspective view of an LED housing showing my new design; FIG. 2 is a front elevational view thereof; FIG. 3 is a rear elevational view thereof; FIG. 4 is a right side elevational view thereof; FIG. 5 is a left side elevational view thereof; FIG. 6 is a top plan view thereof; FIG. 7 is a bottom plan view thereof; and, FIG. 8 is a bottom, rear, and right side perspective view thereof.

The broken-line disclosure represents portions of the housing which form no part of the claimed design.

1 Claim, 5 Drawing Sheets



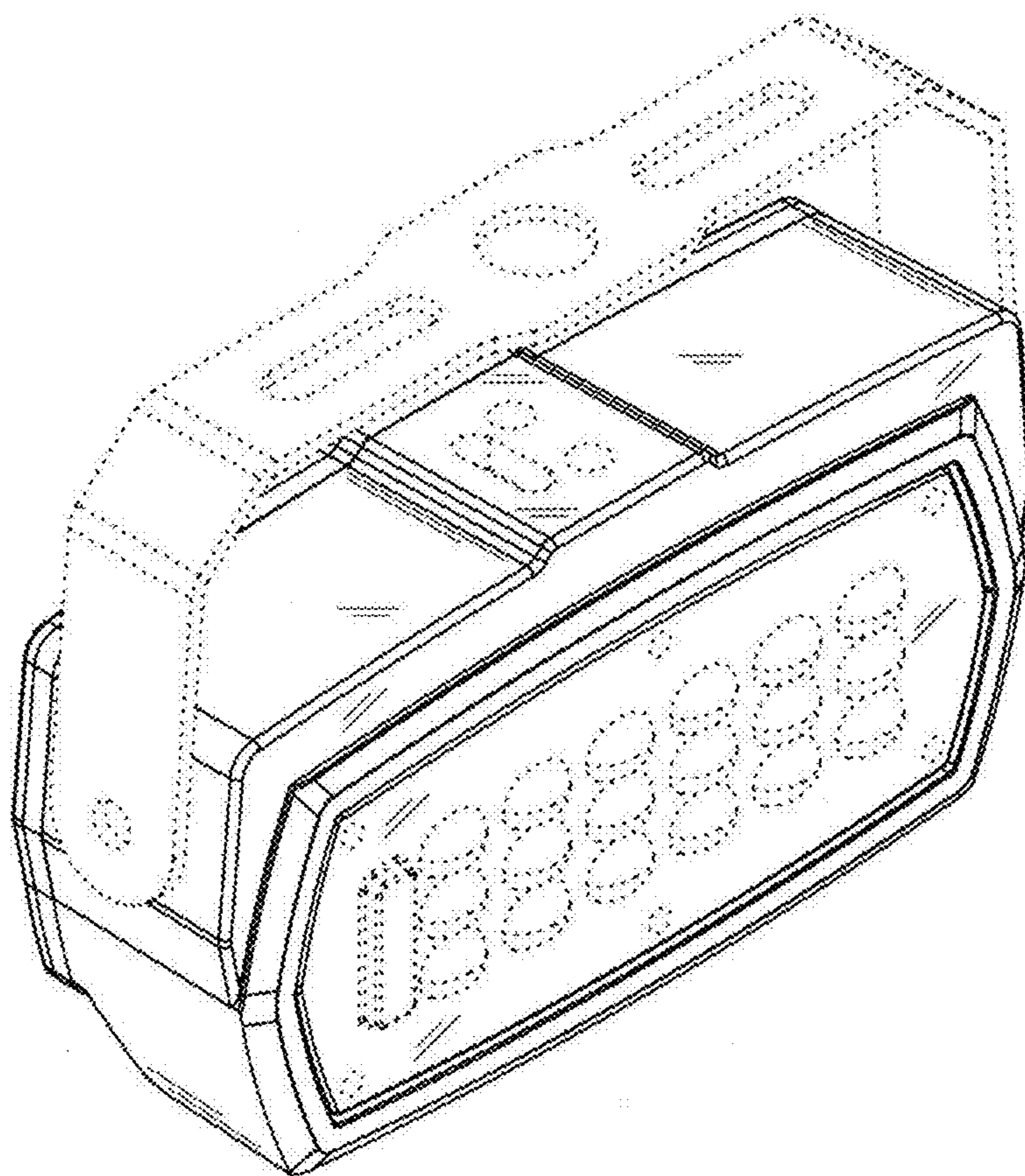


FIG. 1

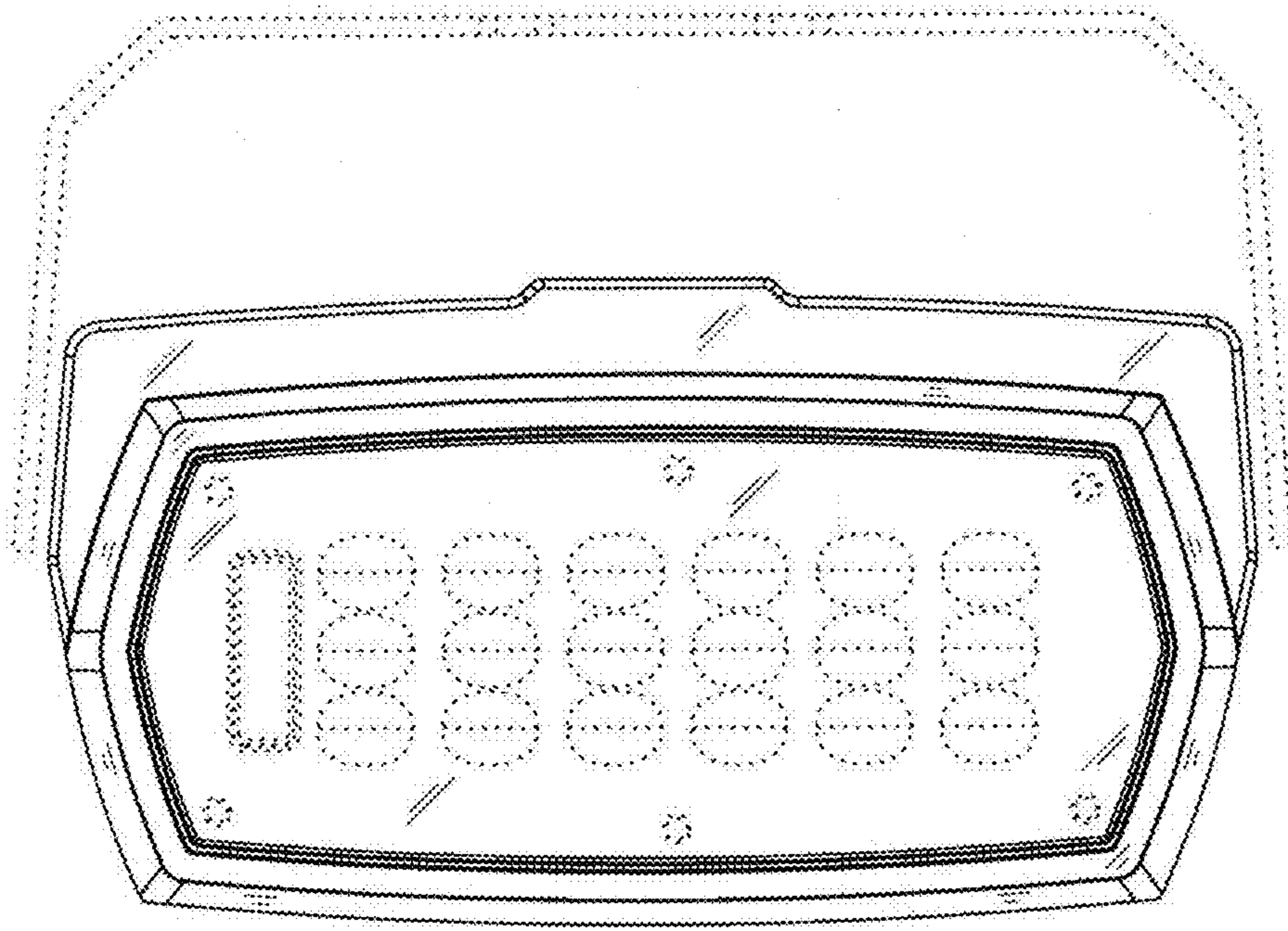


FIG. 2



FIG. 3

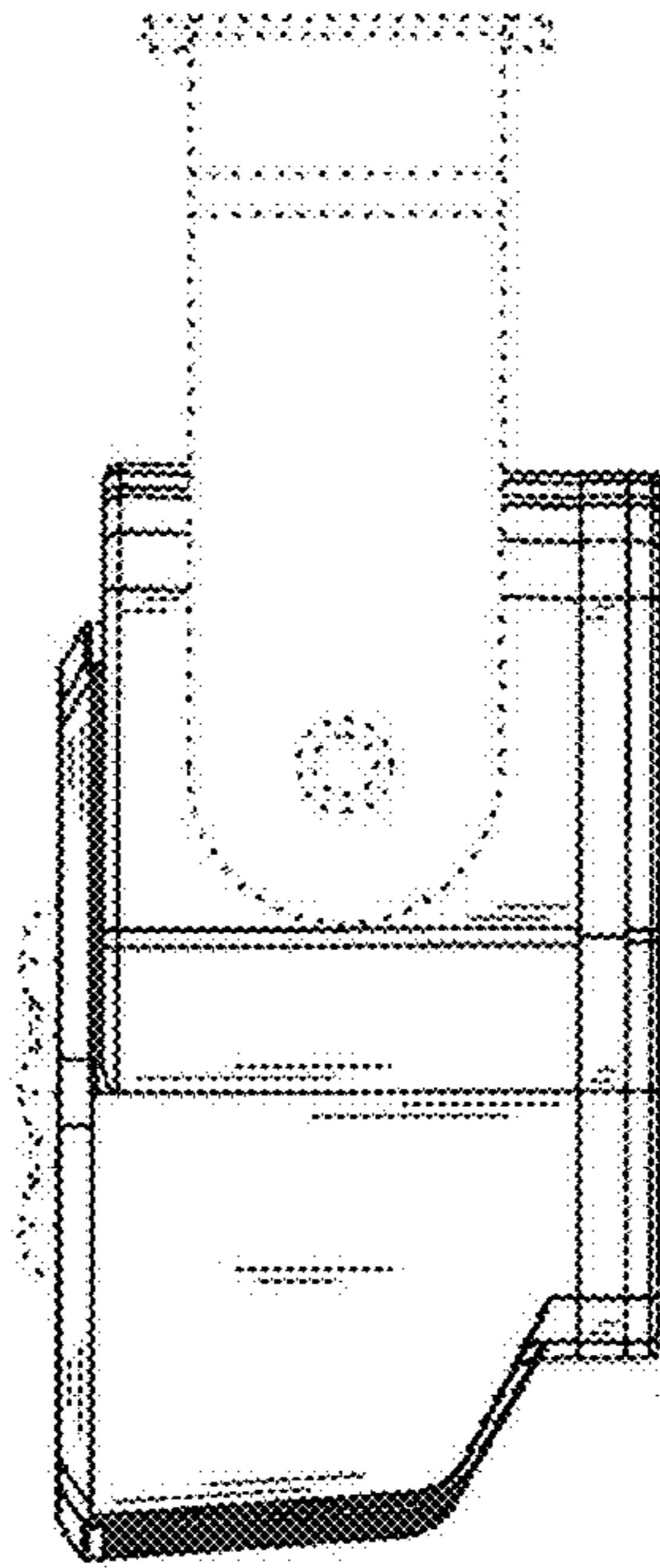


FIG. 4

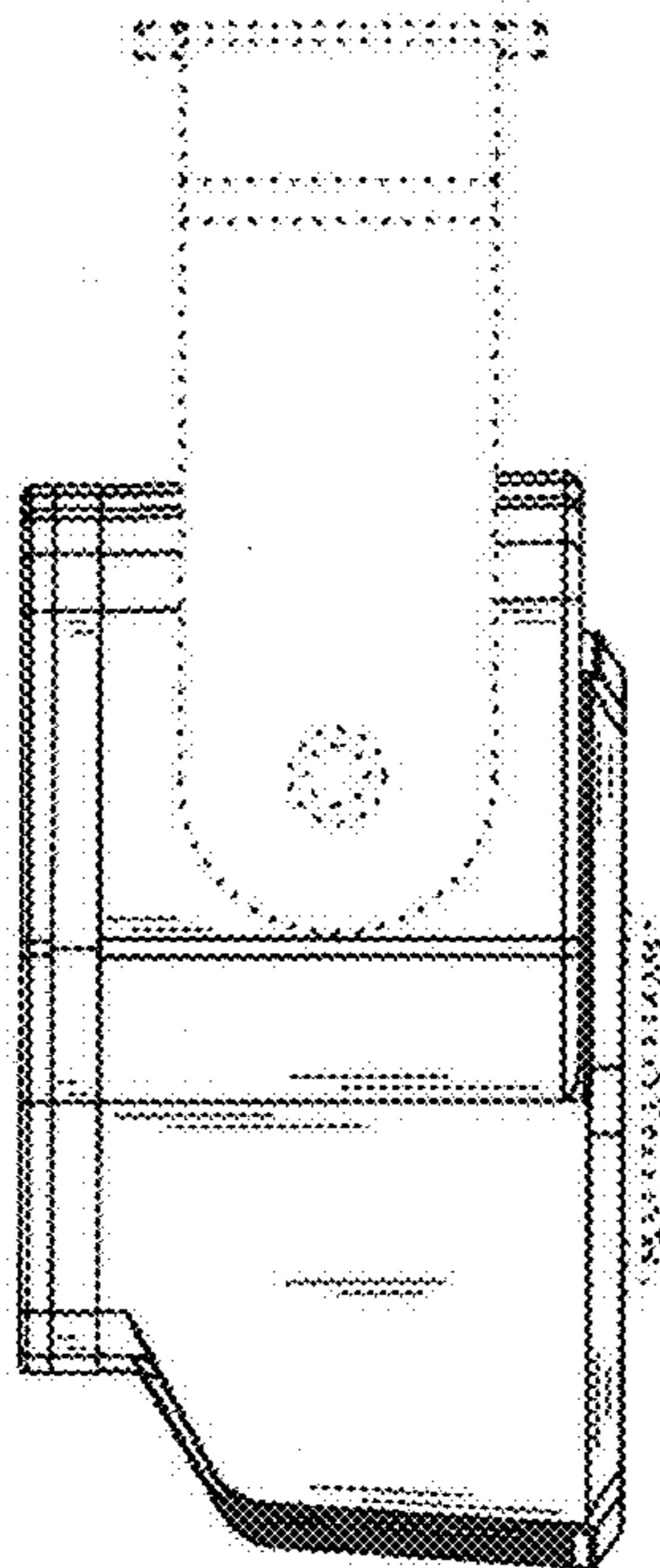


FIG. 5

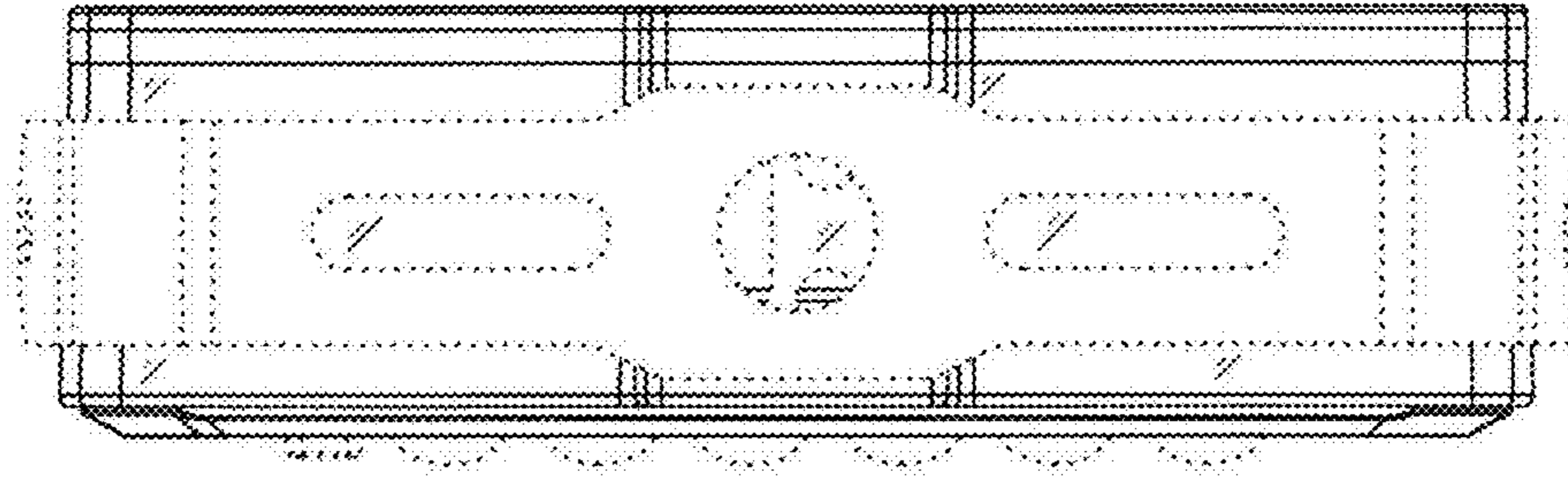


FIG. 6

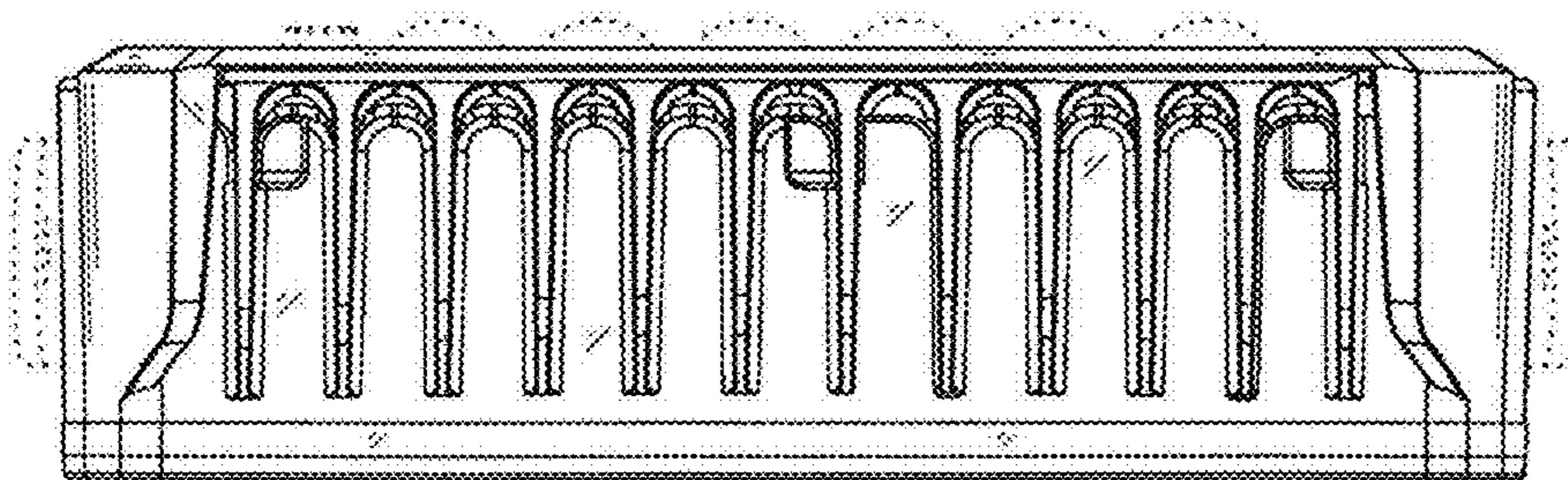


FIG. 7

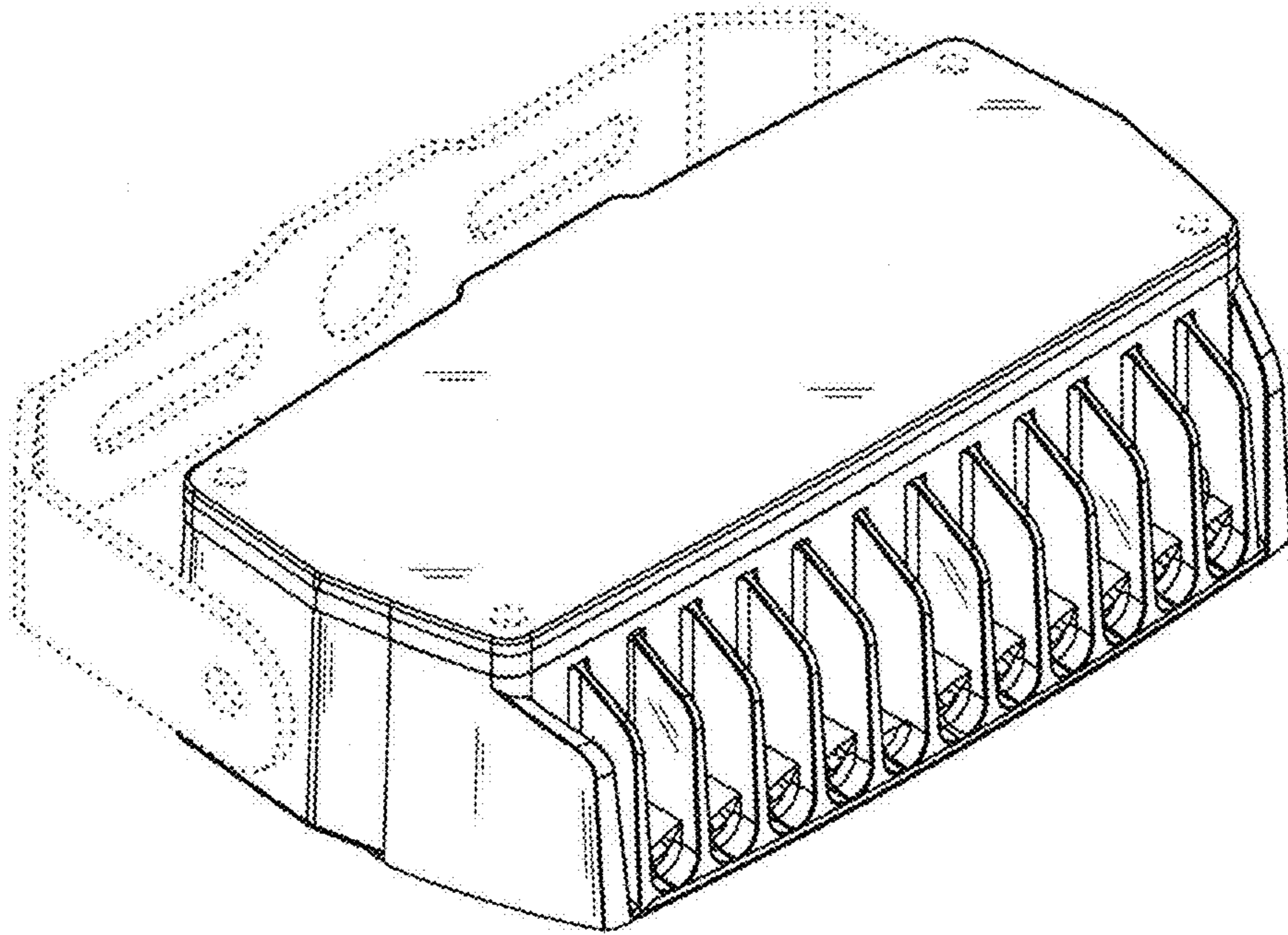


FIG. 8