



US00D827170S

(12) **United States Design Patent**
Zhang

(10) **Patent No.:** **US D827,170 S**

(45) **Date of Patent:** **** Aug. 28, 2018**

(54) **WORK LIGHT**

(71) Applicant: **Yuyao Jinfeng Electric Appliance Co., Ltd., Yuyao (CN)**

(72) Inventor: **Jifeng Zhang, Yuyao (CN)**

(73) Assignee: **Yuyao Jinfeng Electric Appliance Co., Ltd., Yuyao (CN)**

(**) Term: **15 Years**

(21) Appl. No.: **29/556,123**

(22) Filed: **Feb. 26, 2016**

(30) **Foreign Application Priority Data**

Aug. 27, 2015 (CN) 2015 3 0325508

(51) **LOC (11) Cl.** **26-02**

(52) **U.S. Cl.**
USPC **D26/44; D26/49; D26/41**

(58) **Field of Classification Search**
USPC D26/37, 38, 40, 42, 44, 46, 51, 63, 61,
D26/49

CPC F21L 2003/00; F21L 4/00; F21L 4/005;
F21L 4/02; F21L 4/025; F21L 4/027;
F21L 4/04; F21L 4/08; F21L 2005/00;
F21L 7/00; F21L 11/00; F21L 13/00;
F21L 13/04; F21L 13/08; F21L 14/02;
F21L 17/00; F21L 19/00

See application file for complete search history.

(56) **References Cited**

U.S. PATENT DOCUMENTS

D403,094 S * 12/1998 Grossman D26/119
D403,455 S * 12/1998 Duennes D26/119
D462,802 S * 9/2002 Kovacik D26/63
D486,599 S * 2/2004 Bayat D26/63
D549,859 S * 8/2007 Kovacik D26/37
D553,771 S * 10/2007 Watson D26/37

D558,369 S * 12/2007 O'Hern D26/42
D583,988 S * 12/2008 Sandell D26/138
D588,733 S * 3/2009 O'Hern D26/42
D593,236 S * 5/2009 Ng D26/37
D596,774 S * 7/2009 Vines D26/51
D611,632 S * 3/2010 Diehl D26/50
D611,633 S * 3/2010 Thomson D26/51
D625,872 S * 10/2010 Leen D26/63
D679,845 S * 4/2013 Huang D26/37
D698,471 S * 1/2014 Poon D26/37
D701,339 S * 3/2014 Opolka D26/49
D732,721 S * 6/2015 Popper D26/49
D736,442 S * 8/2015 Kovacik D26/37
D742,058 S * 10/2015 Chen D26/109
D747,024 S * 1/2016 Windom D26/49
D761,472 S * 7/2016 Zhu D26/63
D761,473 S * 7/2016 Zhang D26/63

(Continued)

Primary Examiner — Lakiya G Rogers

Assistant Examiner — Carissa C Fitts

(74) *Attorney, Agent, or Firm* — Wang Law Firm, Inc.

(57) **CLAIM**

The ornamental design for a work light, as shown and described.

DESCRIPTION

FIG. 1 is a front view of the work light showing my new design;

FIG. 2 is a left view thereof;

FIG. 3 is a top view thereof;

FIG. 4 is a bottom view thereof;

FIG. 5 is a right view thereof;

FIG. 6 is a rear view thereof;

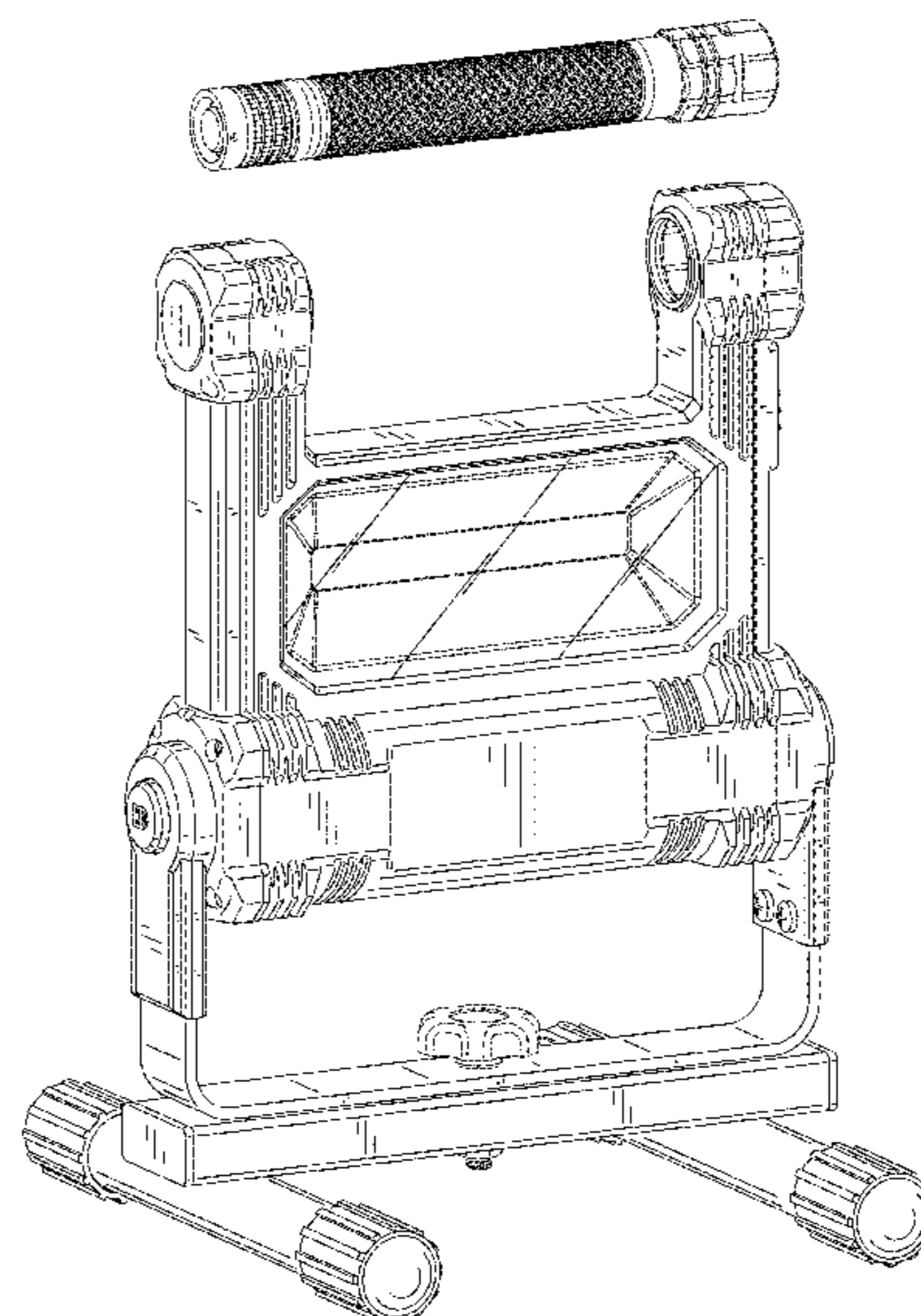
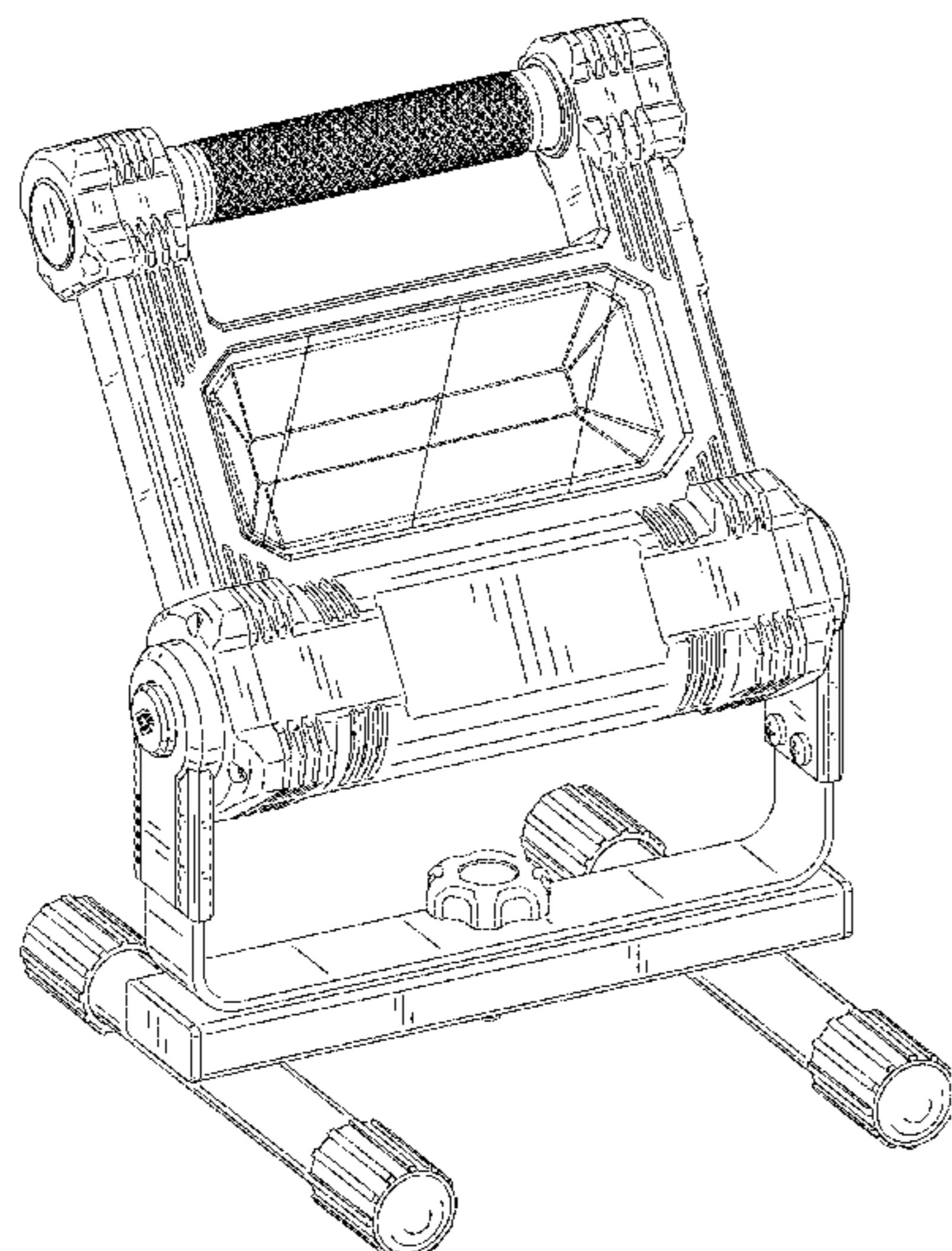
FIG. 7 is a front perspective view thereof;

FIG. 8 is a front perspective view thereof; and,

FIG. 9 is a front perspective view thereof with a flashlight detached.

The broken lines shown on the drawings delineate the unclaimed portion of the ornamental design.

1 Claim, 9 Drawing Sheets



(56)

References Cited

U.S. PATENT DOCUMENTS

D767,805	S	*	9/2016	Son	D26/49
D774,231	S	*	12/2016	Recker	D26/63
D779,094	S	*	2/2017	Xu	D26/63
D779,097	S	*	2/2017	Xu	D26/63
D780,969	S	*	3/2017	Zhu	D26/63
D781,480	S	*	3/2017	Zhan	D26/63
2006/0146523	A1	*	7/2006	Yuen	F21L 14/026 362/183

* cited by examiner

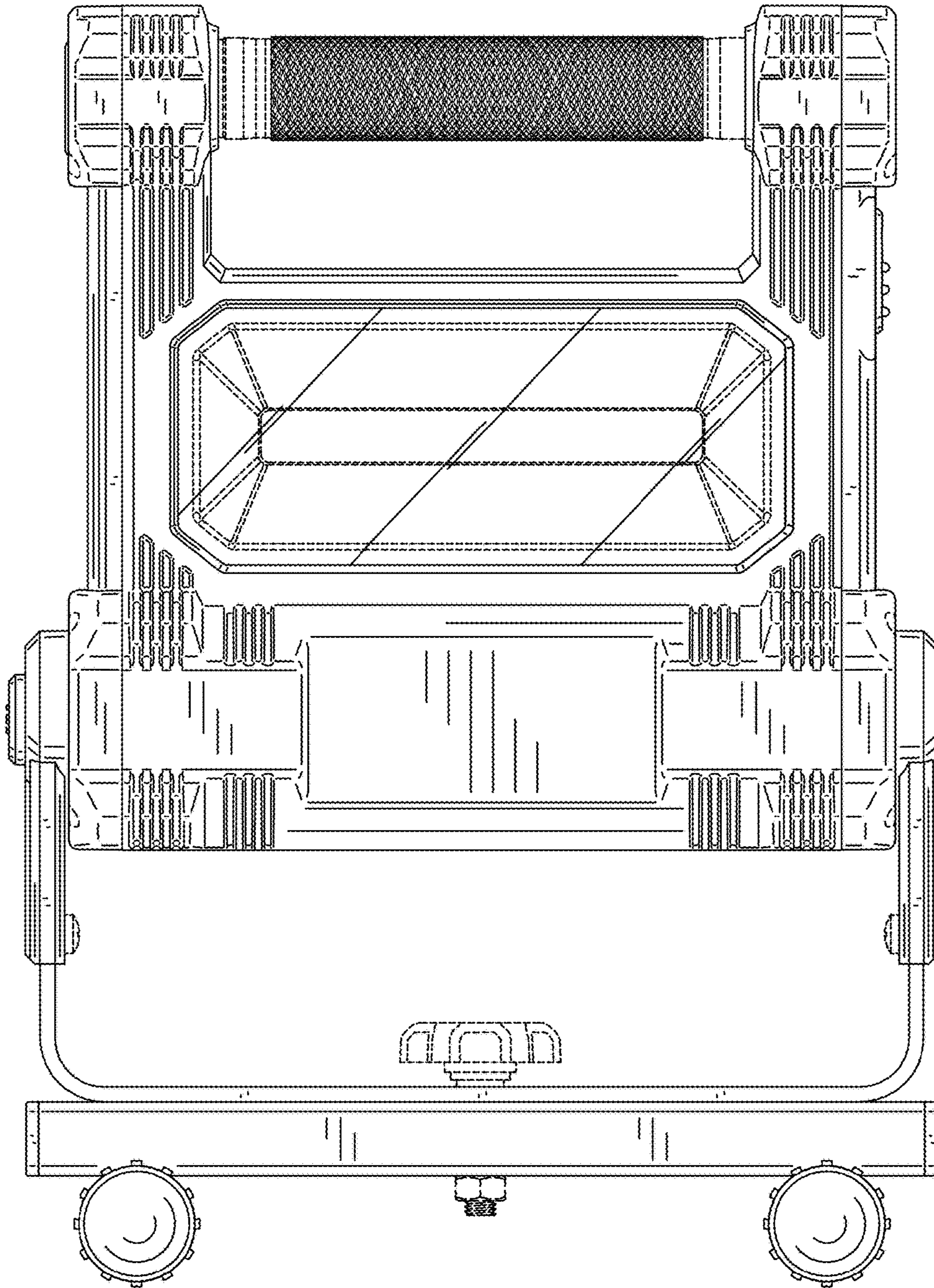


FIG. 1

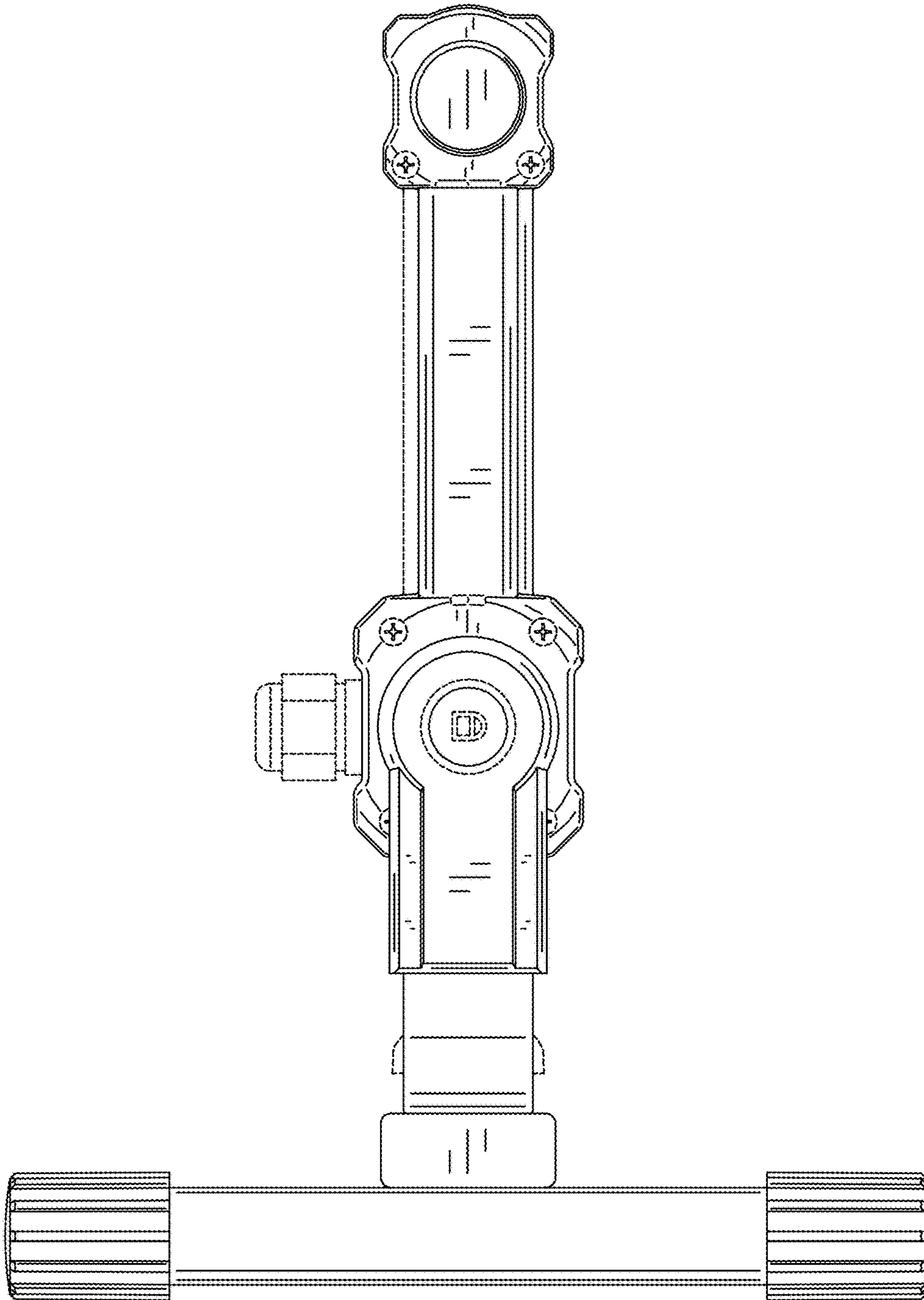


FIG. 2

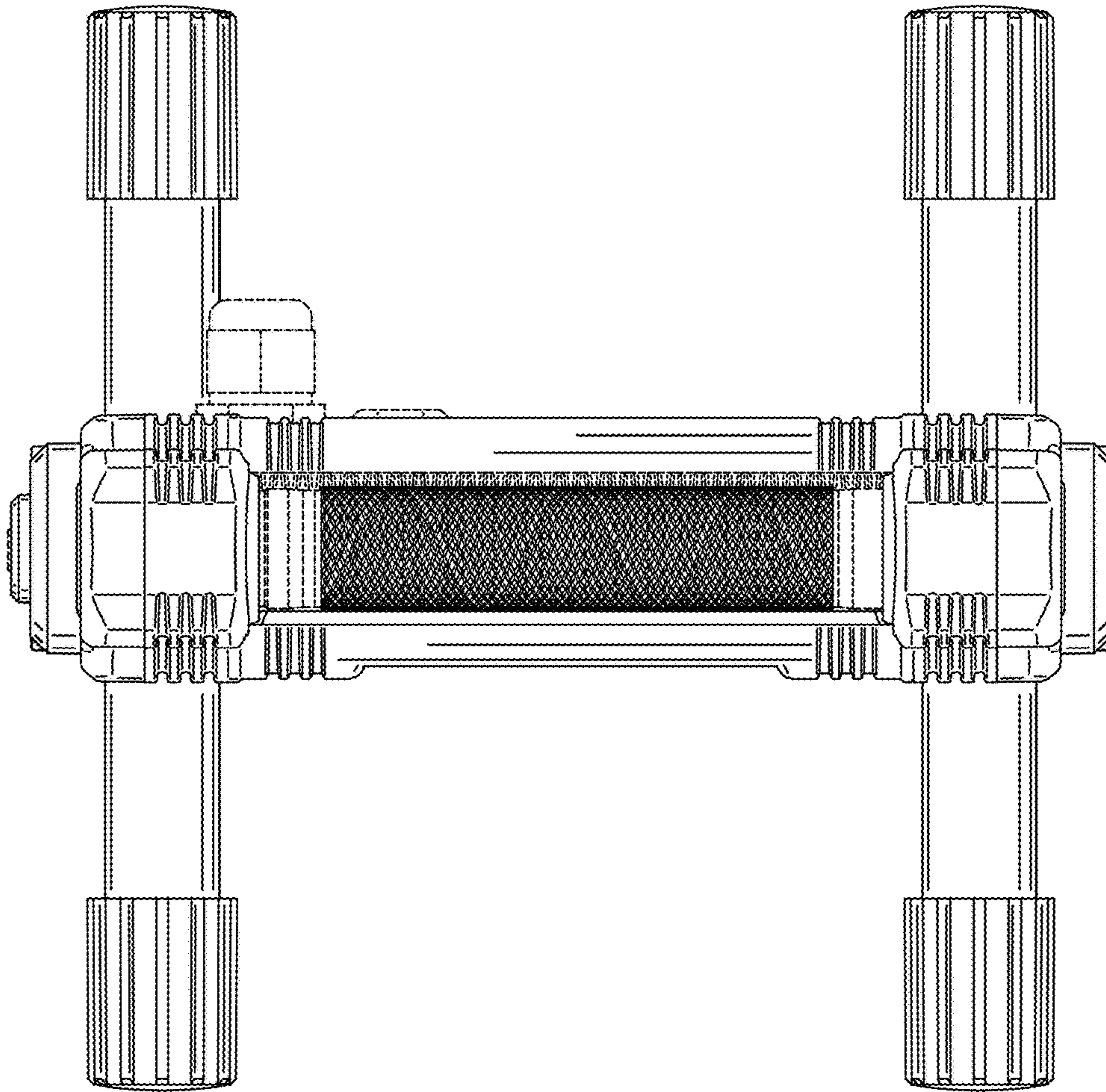


FIG. 3

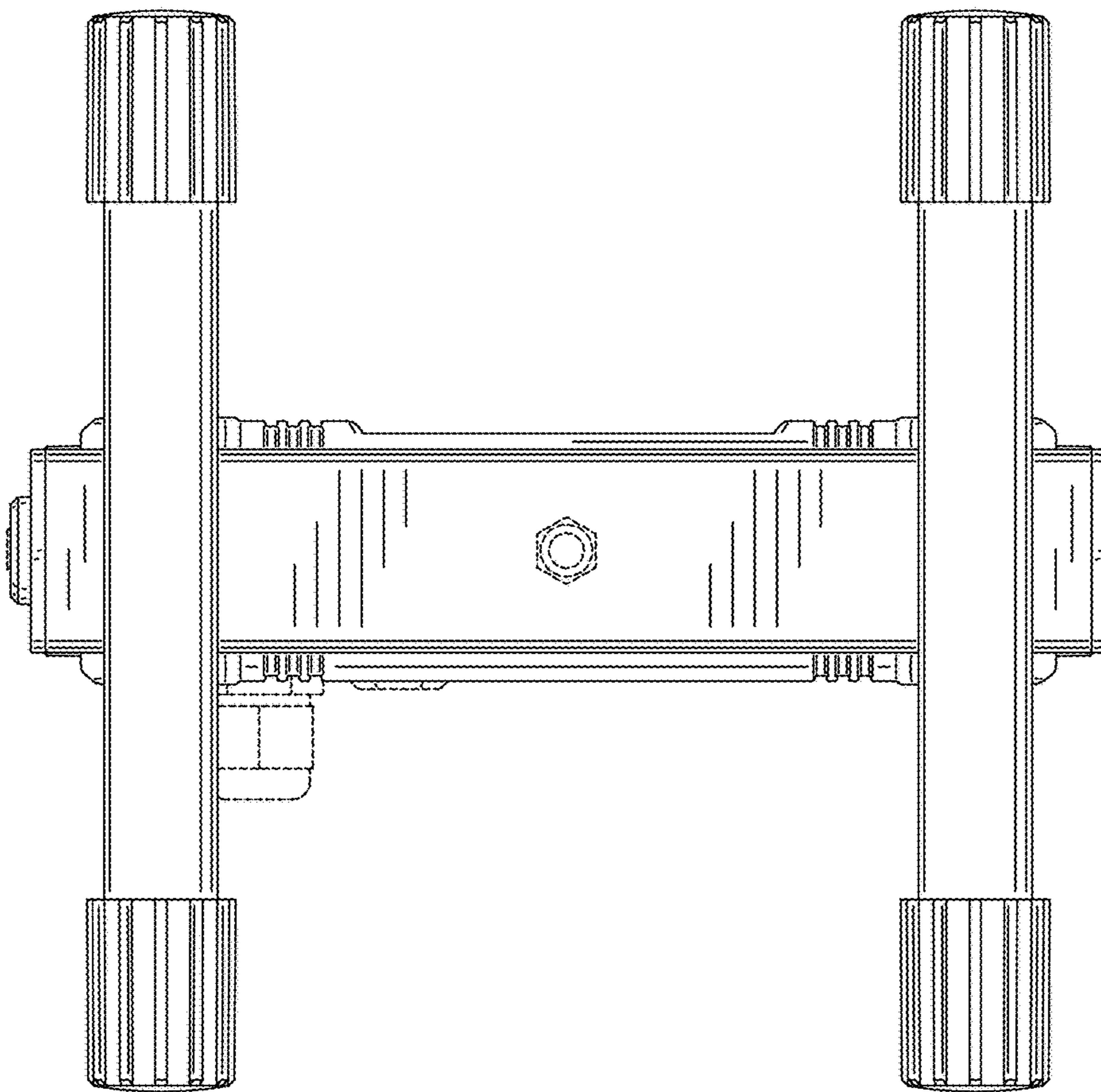


FIG. 4

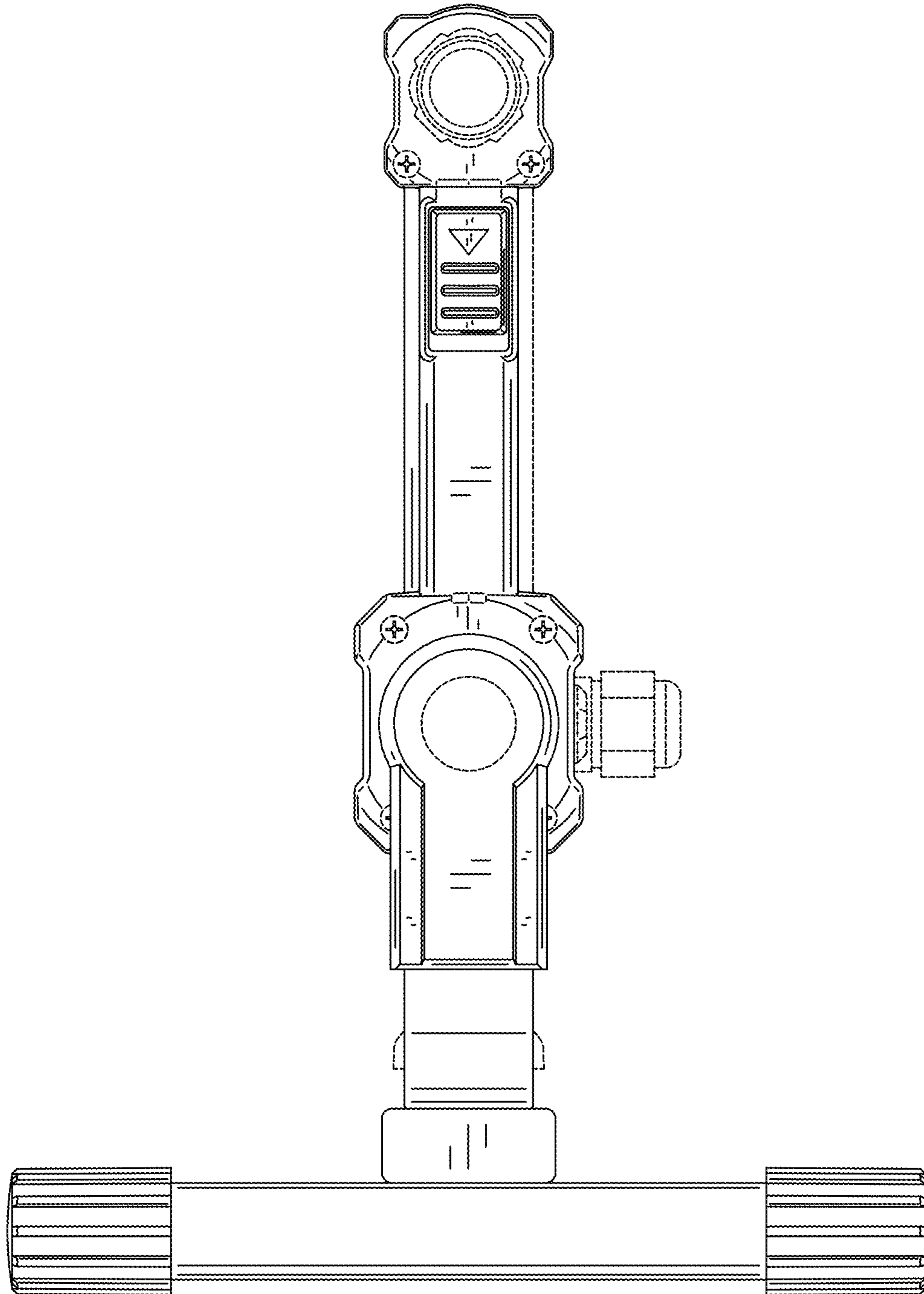


FIG. 5

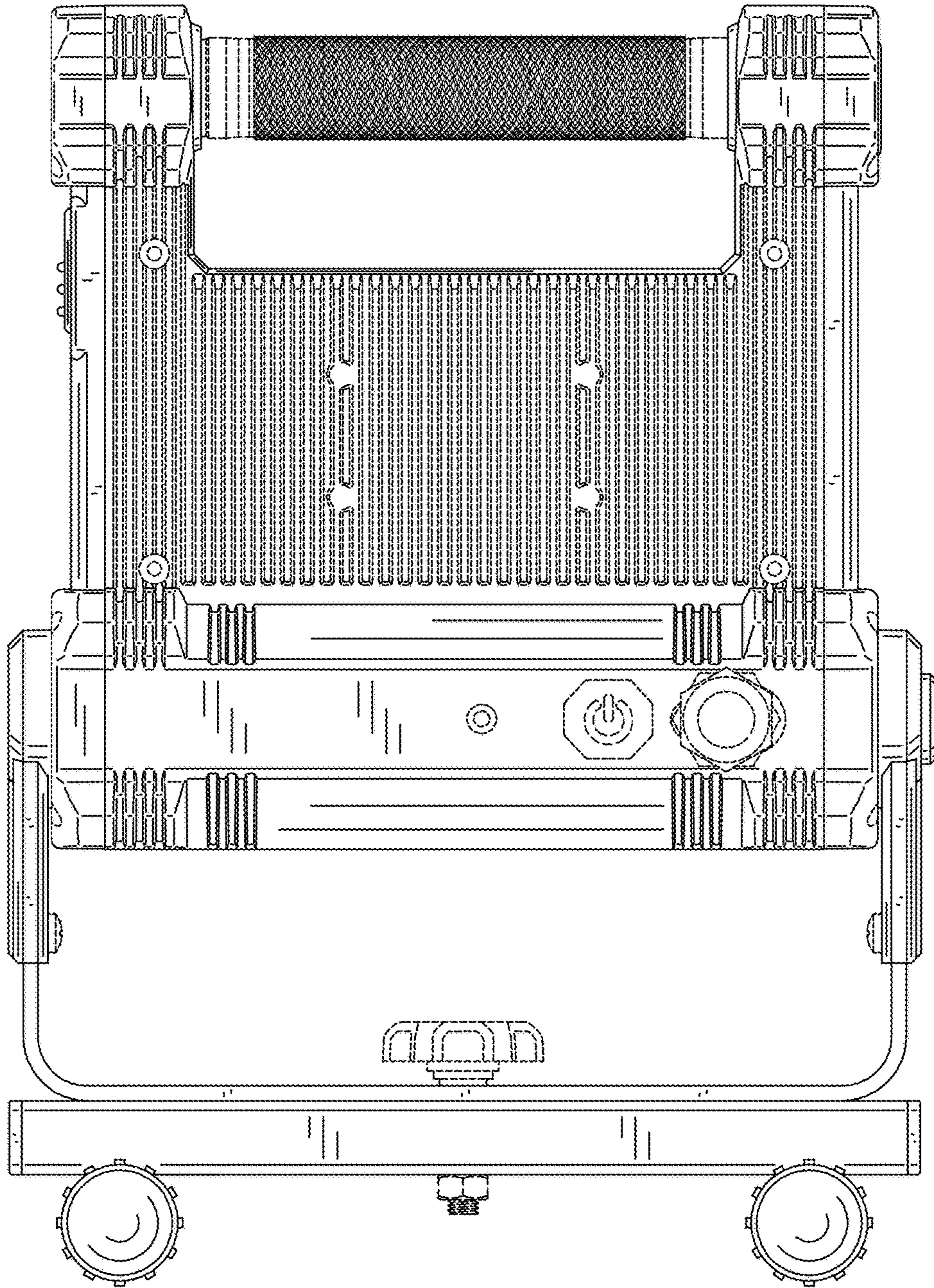


FIG. 6

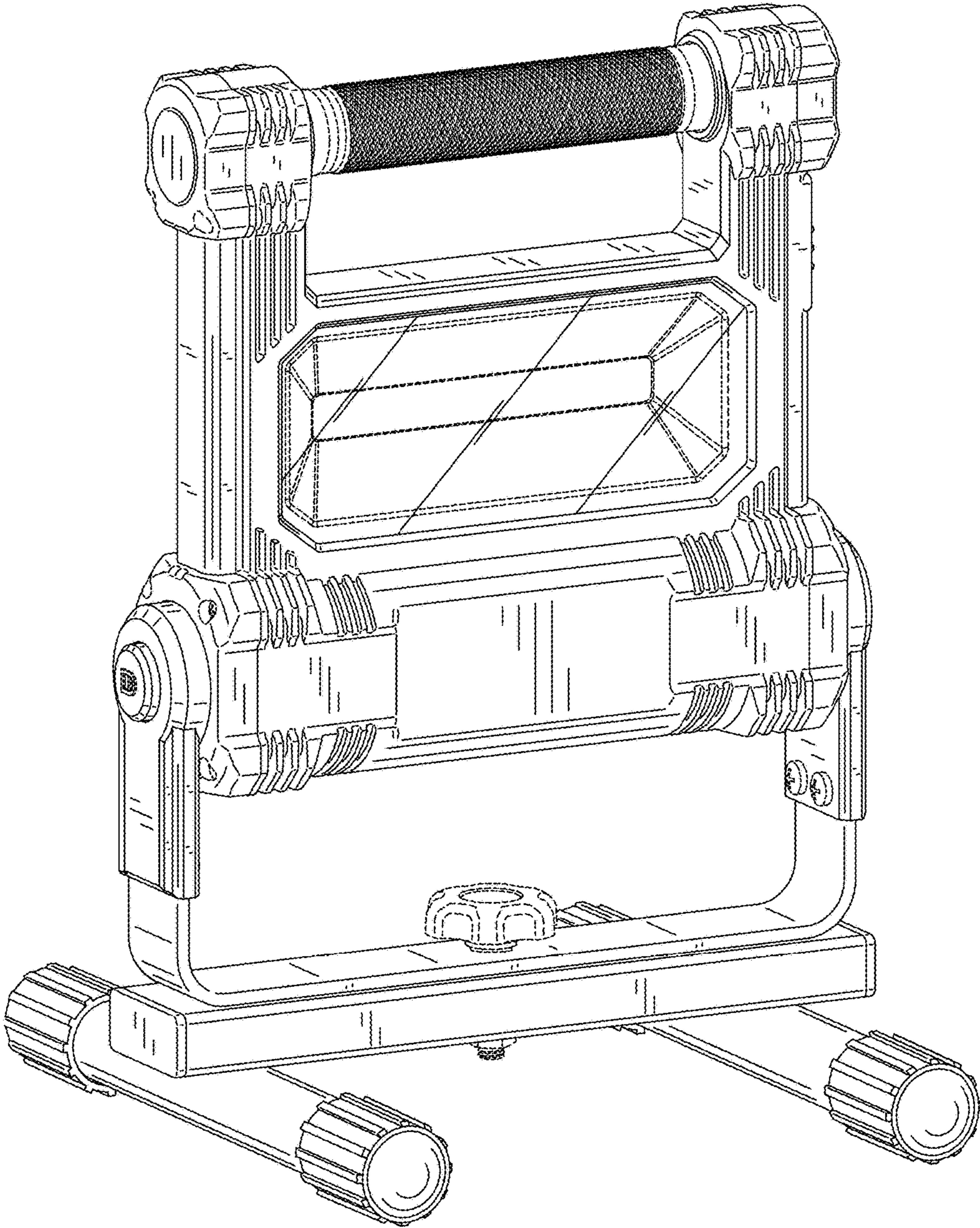


FIG. 7

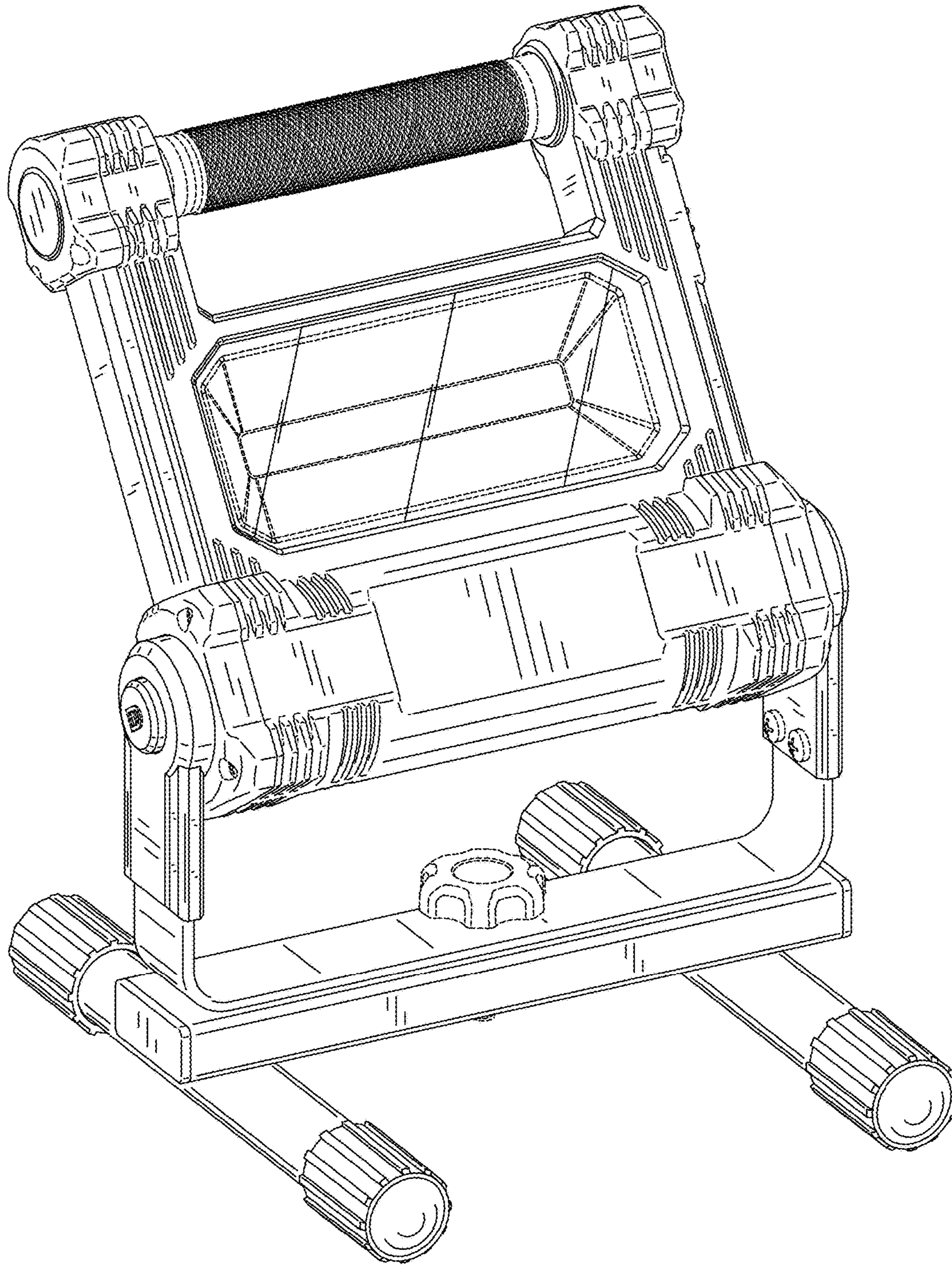


FIG. 8

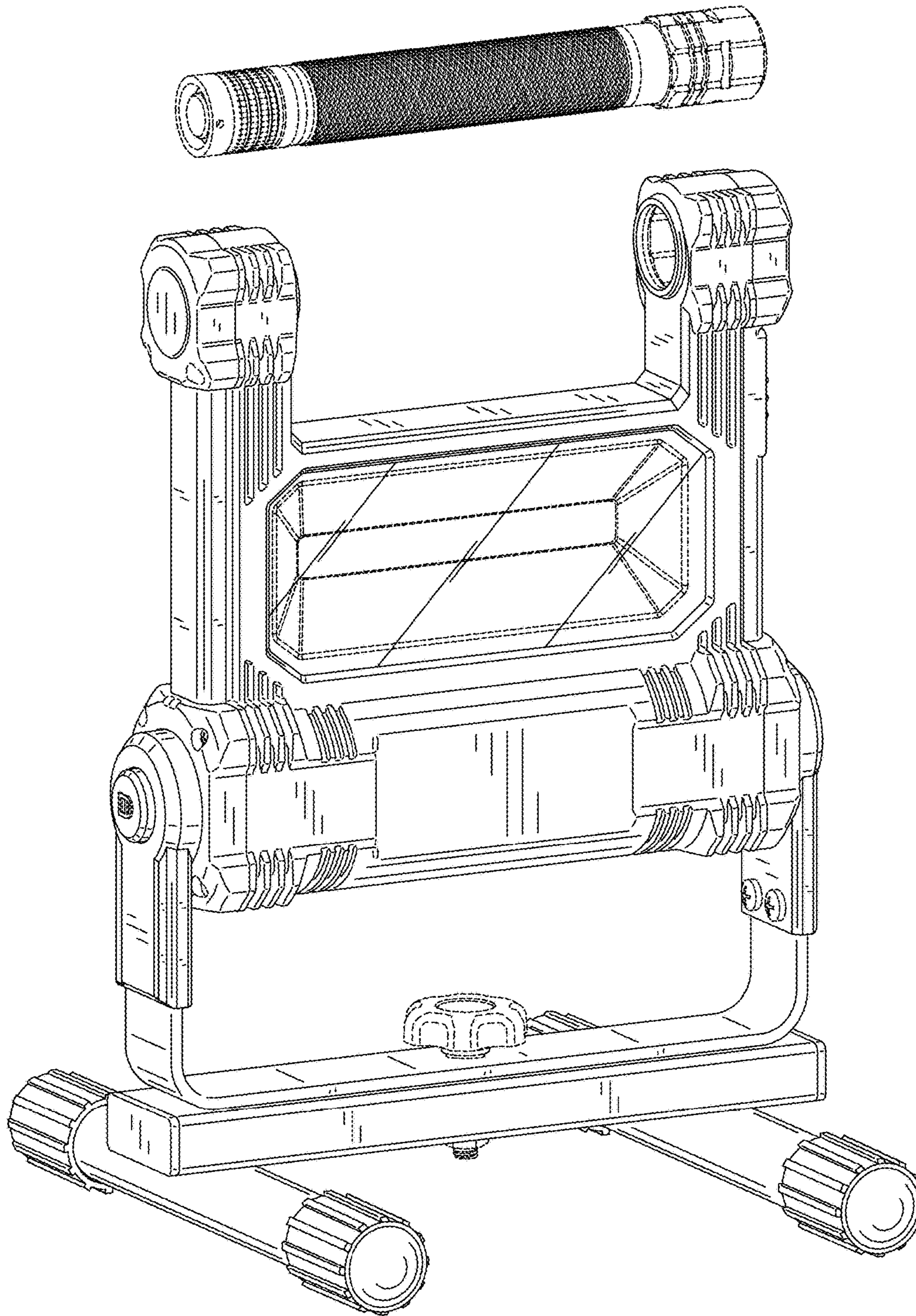


FIG. 9