



US00D827165S

(12) **United States Design Patent**  
**Kobayashi**

(10) **Patent No.:** **US D827,165 S**

(45) **Date of Patent:** **\*\* Aug. 28, 2018**

(54) **LED WORKING LAMP FOR A VEHICLE**

(71) Applicant: **KOITO MANUFACTURING CO., LTD**, Tokyo (JP)

(72) Inventor: **Norihiko Kobayashi**, Shizuoka (JP)

(73) Assignee: **KOITO MANUFACTURING CO., LTD**, Tokyo (JP)

(\*\*) Term: **15 Years**

(21) Appl. No.: **29/575,210**

(22) Filed: **Aug. 23, 2016**

(30) **Foreign Application Priority Data**

Mar. 3, 2016 (JP) ..... 2016-004686

(51) **LOC (11) Cl.** ..... **26-06**

(52) **U.S. Cl.**  
USPC ..... **D26/28**

(58) **Field of Classification Search**  
USPC ..... D26/28-36; 362/80-83, 267-269,  
362/459-468, 475-478, 485-487  
CPC ..... B60Q 9/13; B60Q 9/135; B60Q 9/1375;  
F21S 48/00; F21S 48/10; F21S 48/115;  
F21S 48/1233; F21S 48/1266; F21S  
48/1388; F21S 48/2268; F21V 21/04  
See application file for complete search history.

(56) **References Cited**

**U.S. PATENT DOCUMENTS**

D490,172 S \* 5/2004 Yamamoto ..... D26/28  
D578,685 S \* 10/2008 Manus ..... D26/28

D626,670 S \* 11/2010 Metzger ..... D26/28  
D688,400 S \* 8/2013 Haumann ..... D26/28  
D708,373 S \* 7/2014 Kani ..... D26/28  
D711,023 S \* 8/2014 Wu ..... D26/28  
D716,477 S \* 10/2014 Chu ..... D26/28  
D718,478 S \* 11/2014 Adams ..... D26/28  
D741,528 S \* 10/2015 Glover ..... D26/28  
D757,969 S \* 5/2016 Fan ..... D26/28  
D760,407 S \* 6/2016 Yang ..... D26/28

\* cited by examiner

*Primary Examiner* — Marcus Jackson

(74) *Attorney, Agent, or Firm* — Wenderoth, Lind & Ponack, L.L.P.

(57) **CLAIM**

The ornamental design for a LED working lamp for a vehicle, as shown and described.

**DESCRIPTION**

FIG. 1 is a front view of a LED working lamp for a vehicle according to the present design;  
FIG. 2 is a rear view of the LED working lamp for a vehicle according to the present design;  
FIG. 3 is a plan view of the LED working lamp for a vehicle according to the present design;  
FIG. 4 is a bottom view of the LED working lamp for a vehicle according to the present design;  
FIG. 5 is a right side view of the LED working lamp for a vehicle according to the present design;  
FIG. 6 is a left side view of the LED working lamp for a vehicle according to the present design; and,  
FIG. 7 is a perspective view of the LED working lamp for a vehicle according to the present design.

**1 Claim, 7 Drawing Sheets**



FIG. 1



FIG. 2

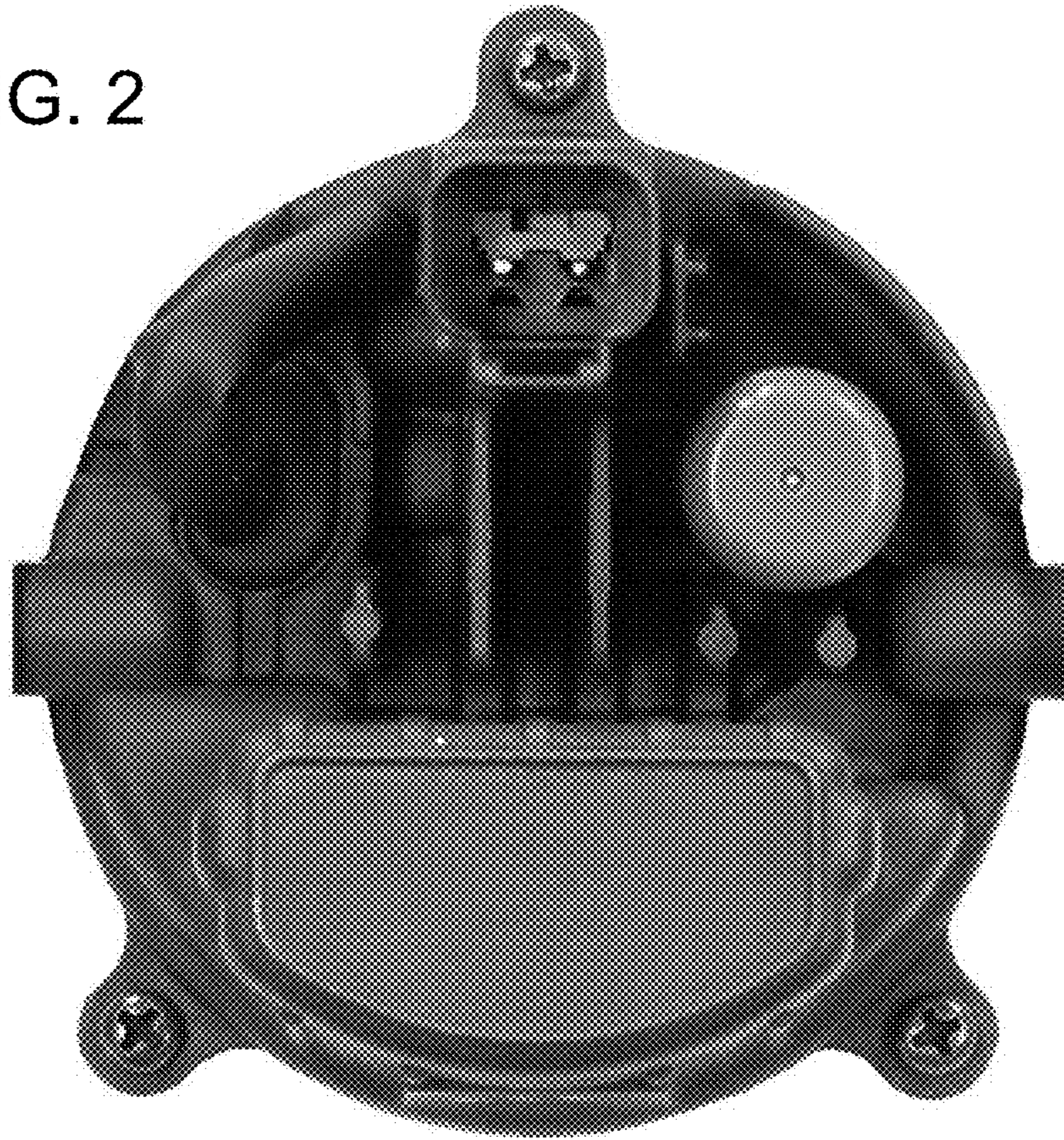


FIG. 3

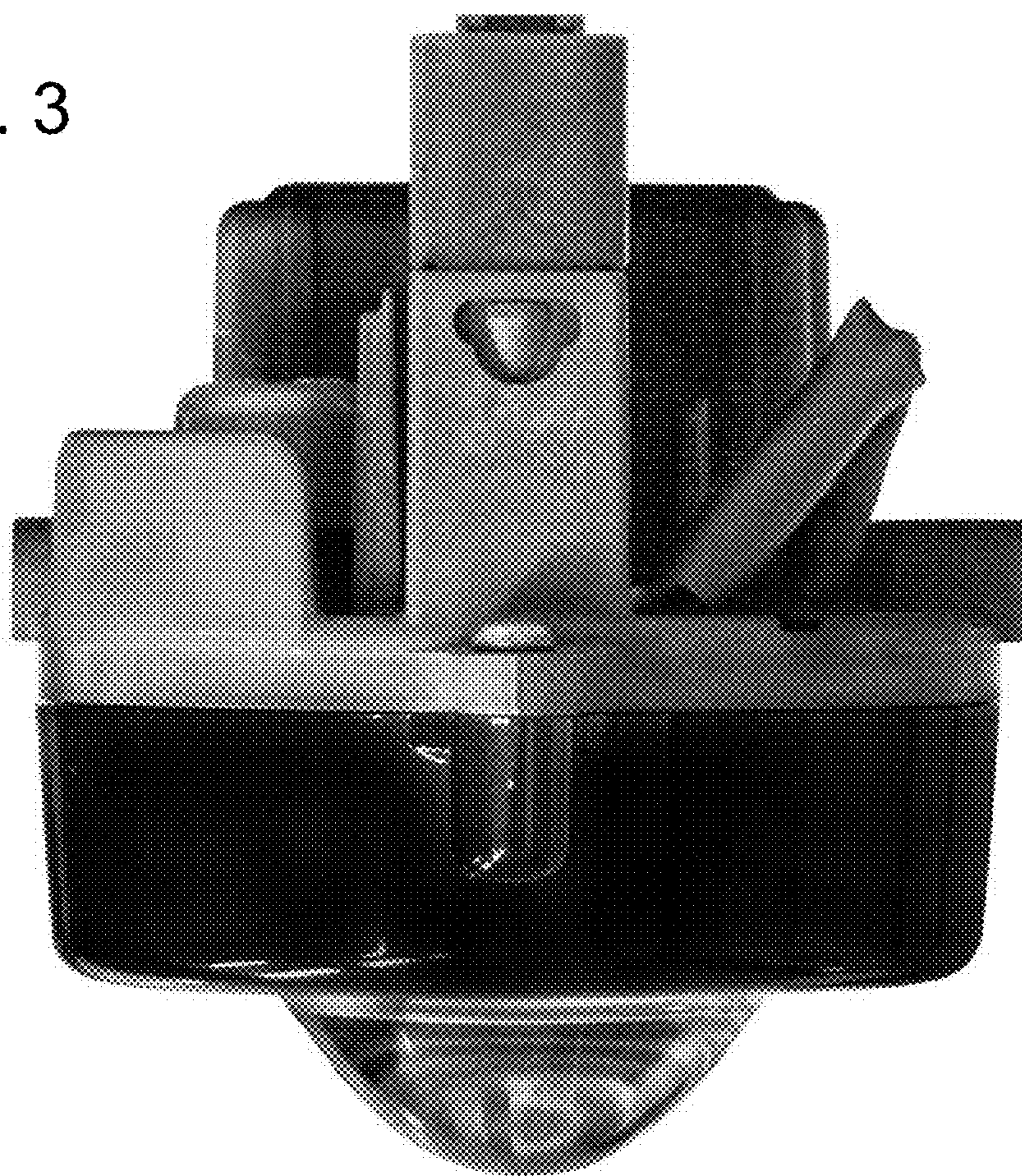


FIG. 4

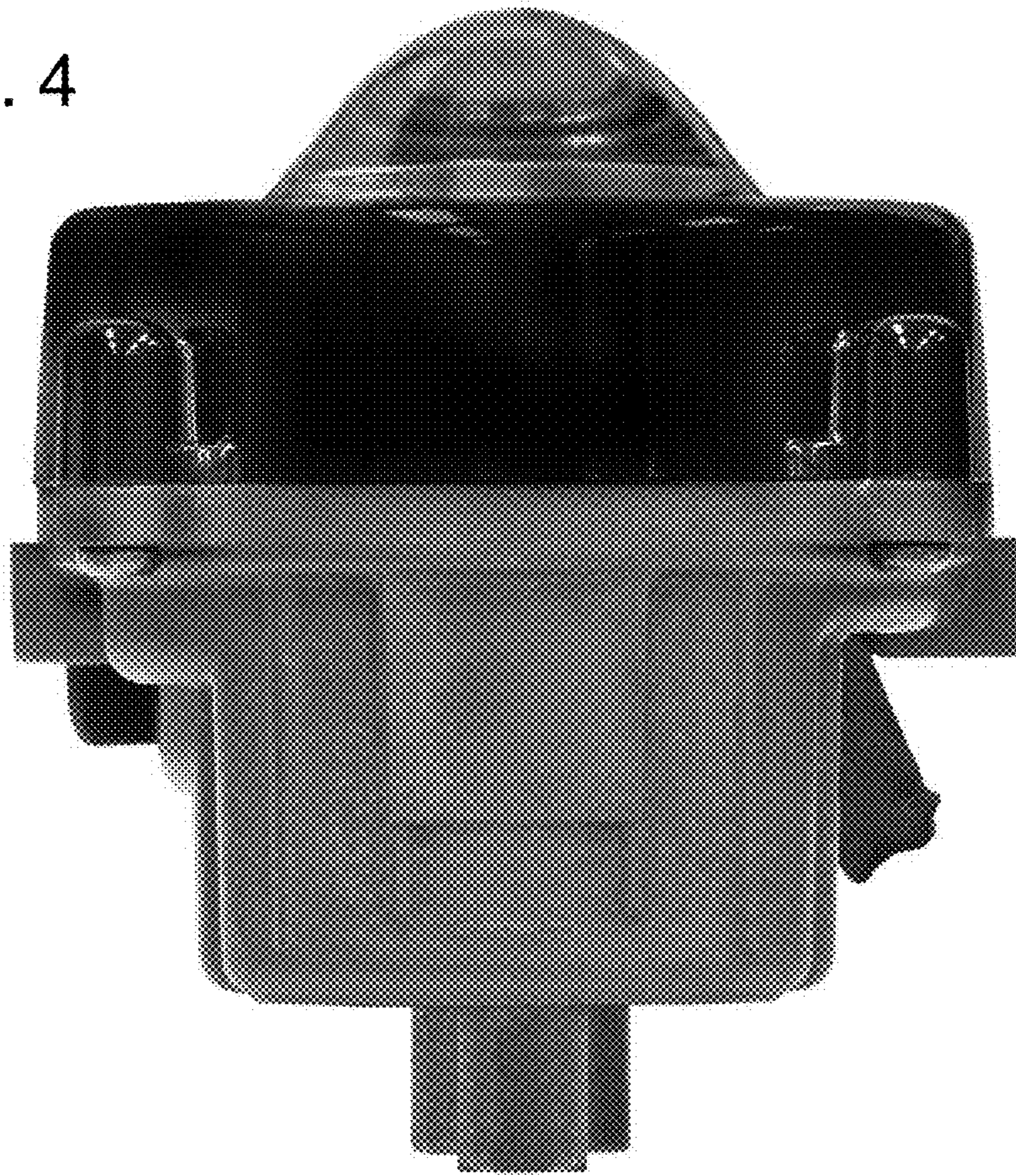


FIG. 5

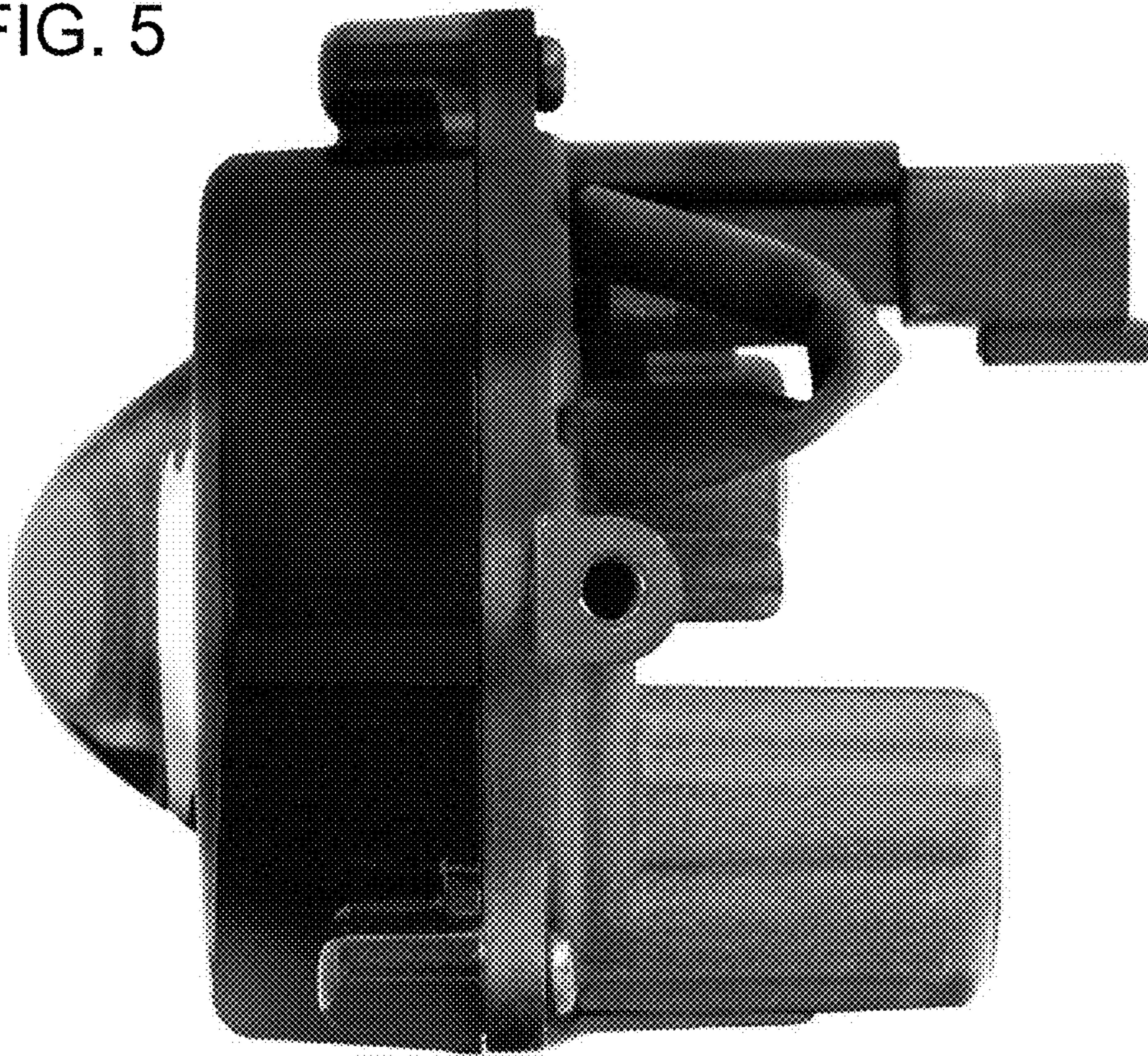


FIG. 6

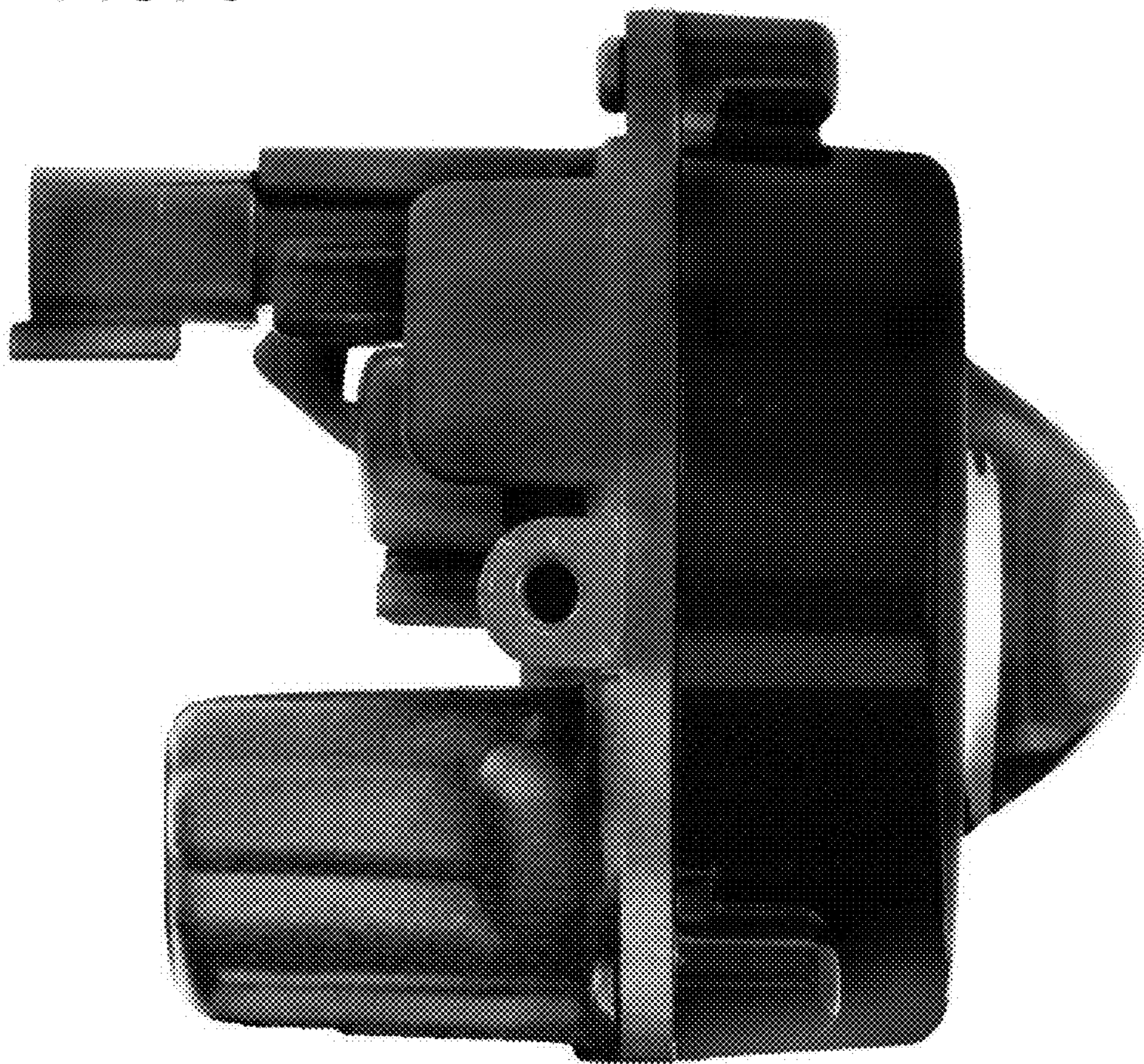


FIG. 7

