



US00D827162S

(12) **United States Design Patent** (10) **Patent No.:** **US D827,162 S**
Pan (45) **Date of Patent:** **** Aug. 28, 2018**

(54) **LED LAMP** 8,092,045 B2 * 1/2012 Xiao F21V 19/0055
362/249.02
(71) Applicant: **SHENZHEN SNC OPTO** D669,200 S * 10/2012 Chen D26/2
ELECTRONIC CO., LTD., Shenzhen D721,828 S * 1/2015 Chen D26/2
(CN) D739,967 S * 9/2015 Qin D26/2
D739,968 S * 9/2015 Qin D26/2
D739,969 S * 9/2015 Qin D26/2
(72) Inventor: **Nianhua Pan, Shenzhen (CN)** D739,970 S * 9/2015 Qin D26/2
D753,322 S * 4/2016 Taylor D26/2
D762,884 S * 8/2016 Shalvi D26/2
(73) Assignee: **SHENZHEN SNC OPTO** D768,890 S * 10/2016 Pan D26/2
ELECTRONIC CO., LTD., Shenzhen D782,082 S * 3/2017 Shalvi D26/2
(CN) 2008/0316755 A1 * 12/2008 Zheng F21V 29/004
362/373
(**) Term: **15 Years** 2012/0049732 A1 * 3/2012 Chuang F21V 29/83
315/32

(21) Appl. No.: **29/606,367**
(22) Filed: **Jun. 4, 2017**
(51) **LOC (11) Cl.** **26-04**
(52) **U.S. Cl.**
USPC **D26/2**
(58) **Field of Classification Search**
USPC D26/1-4; 313/313, 315, 316, 317, 318,
313/493; 315/32, 52, 53, 56, 57, 58;
362/373, 294, 249.02
CPC F21V 29/83; F21K 9/00
See application file for complete search history.

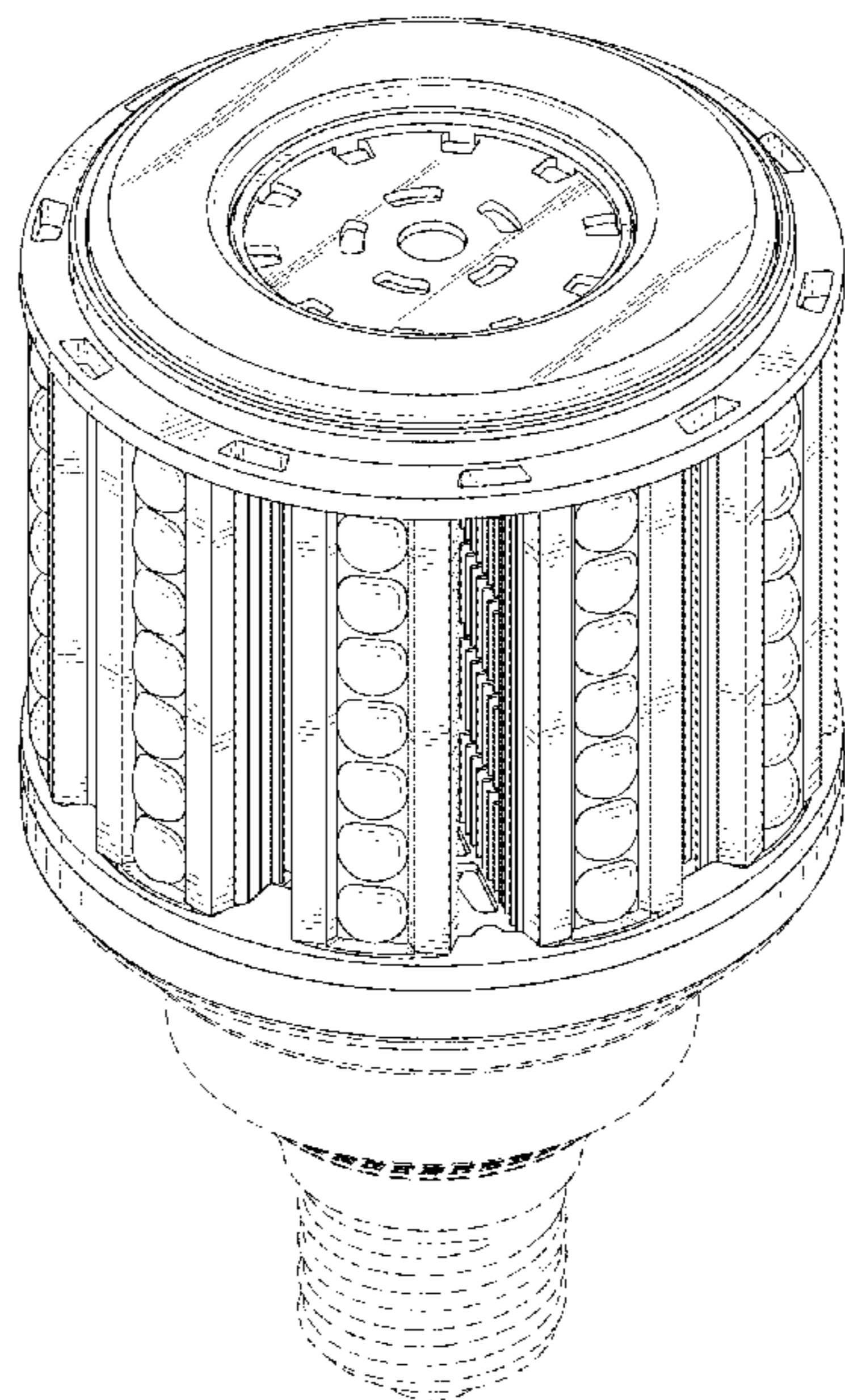
* cited by examiner
Primary Examiner — Brandon M Rosati
Assistant Examiner — Harold E Blackwell, II

(57) **CLAIM**
The ornamental design for a LED lamp, as shown and described.

DESCRIPTION
FIG. 1 is a perspective view of the LED lamp showing my new design;
FIG. 2 is similar to FIG. 1, viewed from another aspect;
FIG. 3 is a front elevational view thereof;
FIG. 4 is a rear elevational view thereof;
FIG. 5 is a left side elevational view thereof;
FIG. 6 is a right side elevational view thereof;
FIG. 7 is a top plan view thereof;
FIG. 8 is a bottom plan view thereof; and,
FIG. 9 is an enlarged view of a circle portion IX of FIG. 3.
The broken lines are for the purposes of illustrating portions of the LED lamp and form no part of the claimed design.

(56) **References Cited**
U.S. PATENT DOCUMENTS
D574,091 S * 7/2008 Sun D26/2
7,585,090 B2 * 9/2009 Wu H05B 33/0803
340/815.45
7,637,636 B2 * 12/2009 Zheng F21S 2/005
362/294
D631,567 S * 1/2011 Lodhie D26/2
D647,226 S * 10/2011 Huang D26/2
8,072,123 B1 * 12/2011 Han F21K 9/23
313/45

1 Claim, 9 Drawing Sheets



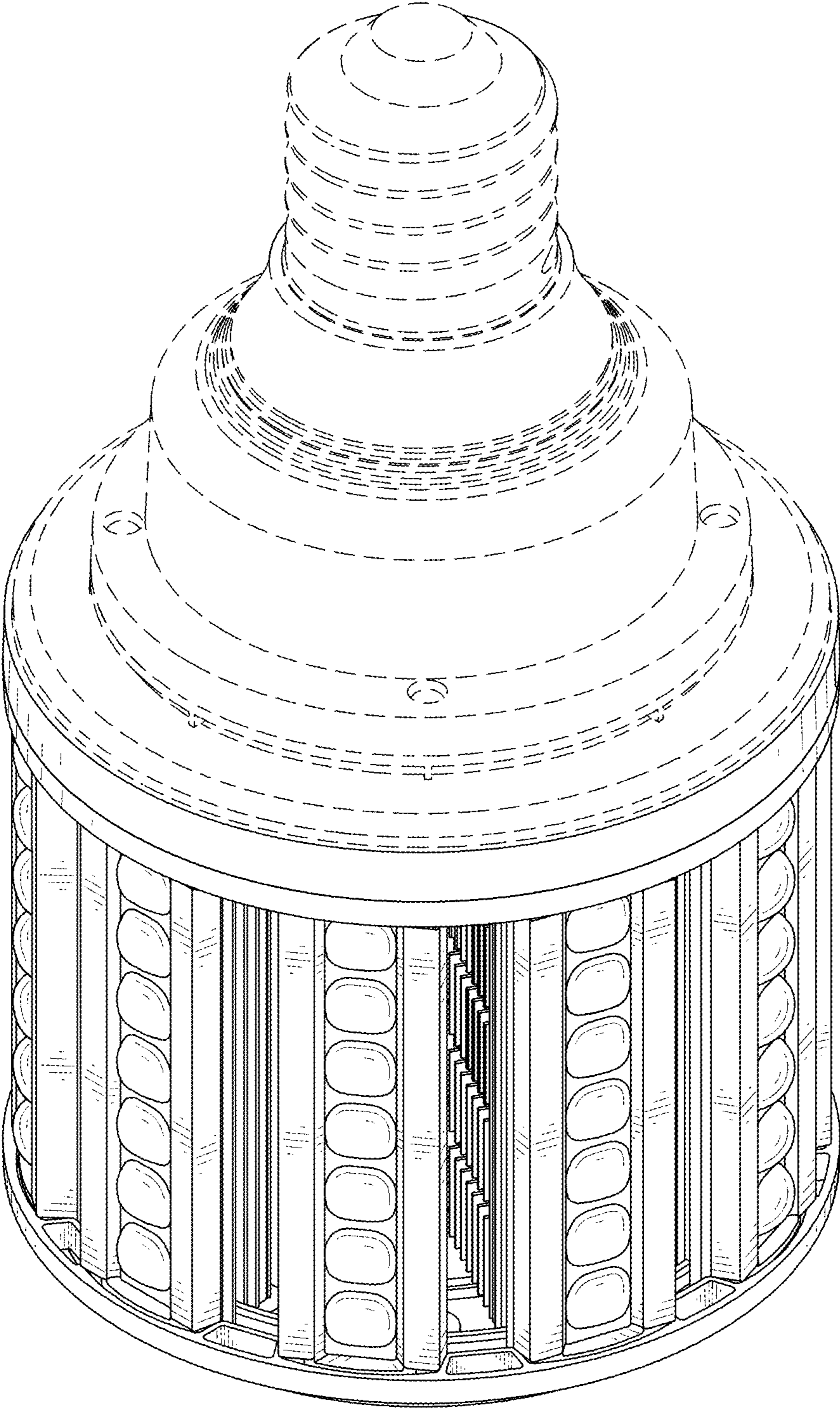


FIG. 1

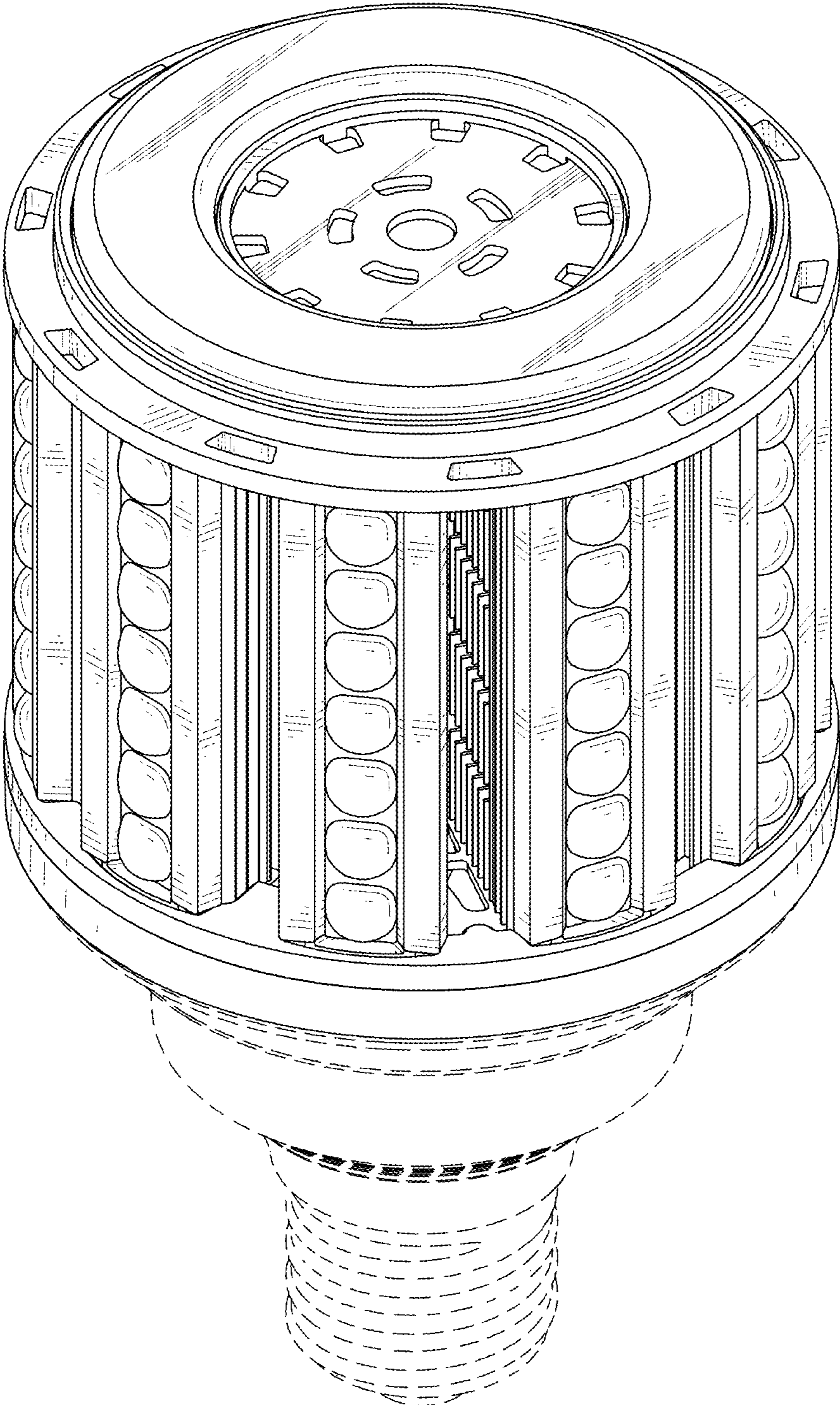


FIG. 2

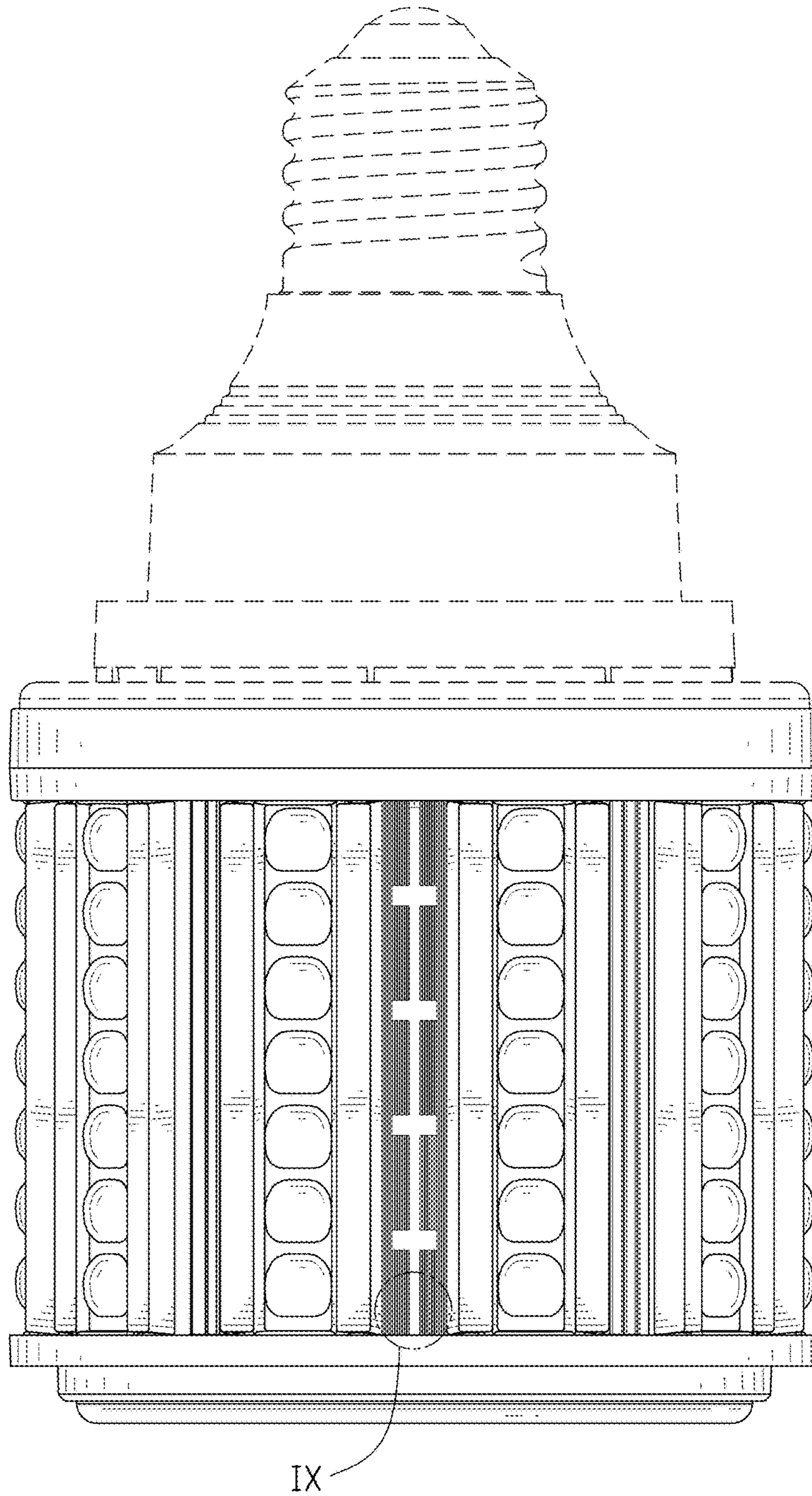


FIG. 3

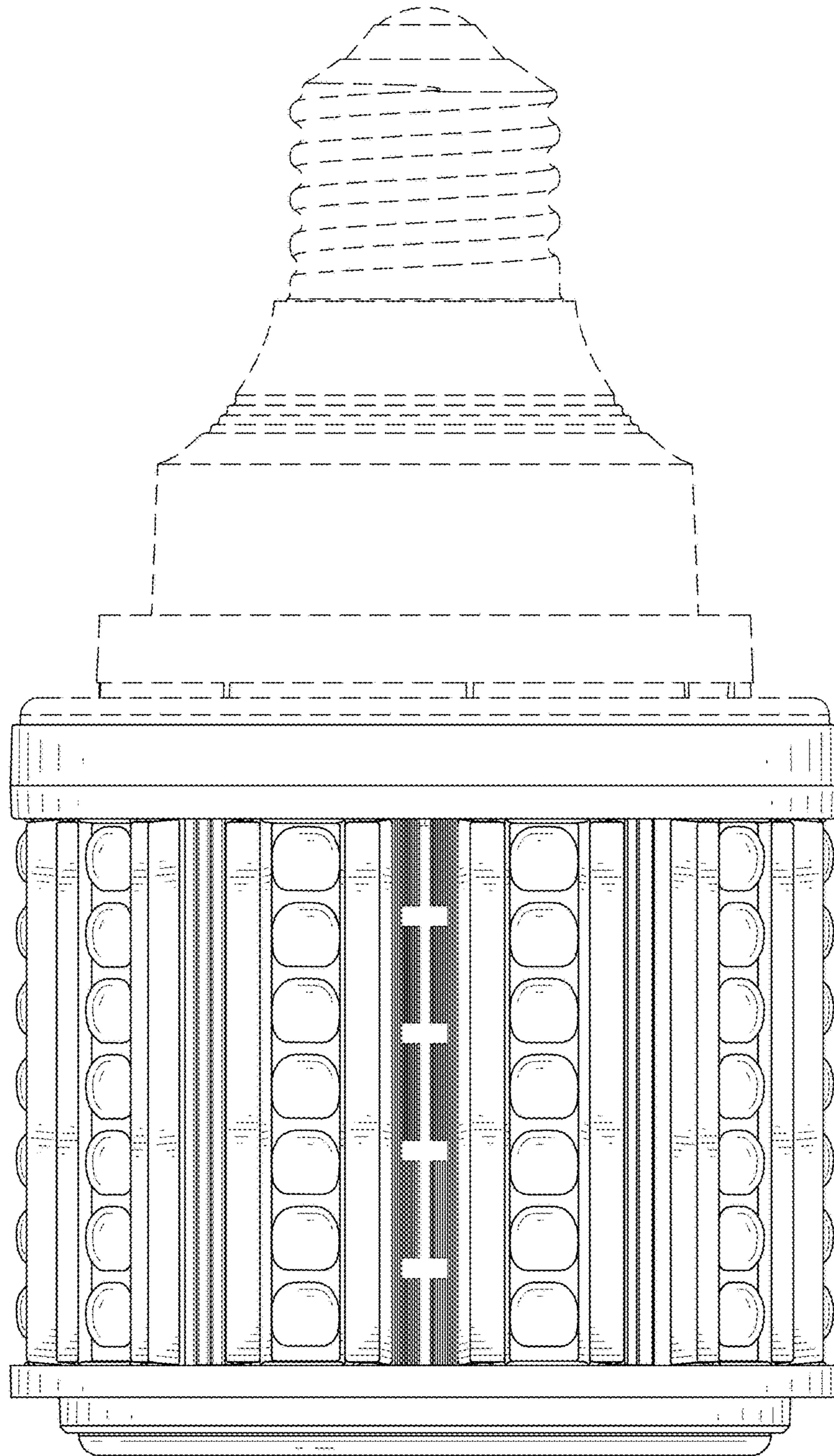


FIG. 4

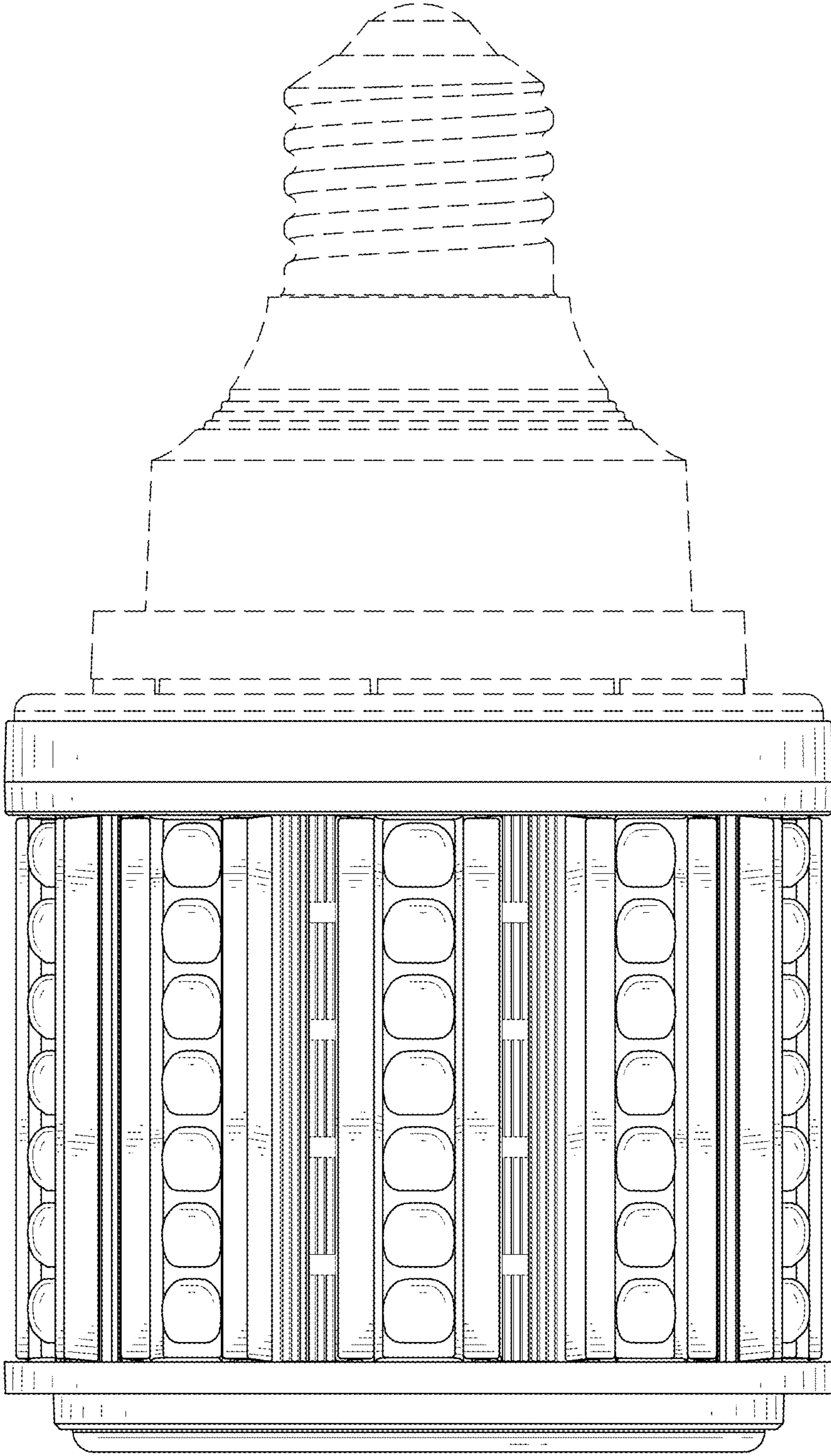


FIG. 5

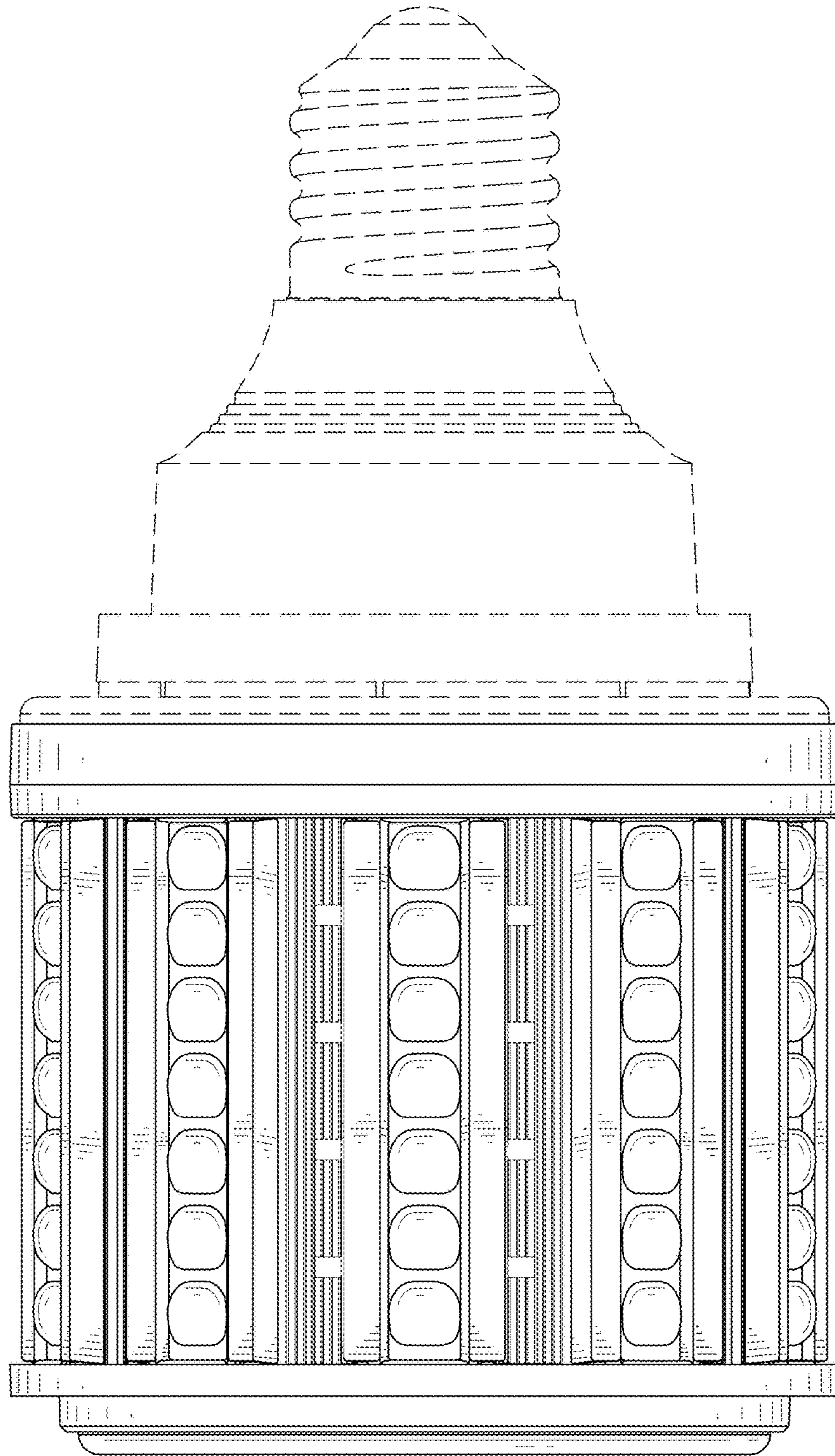


FIG. 6

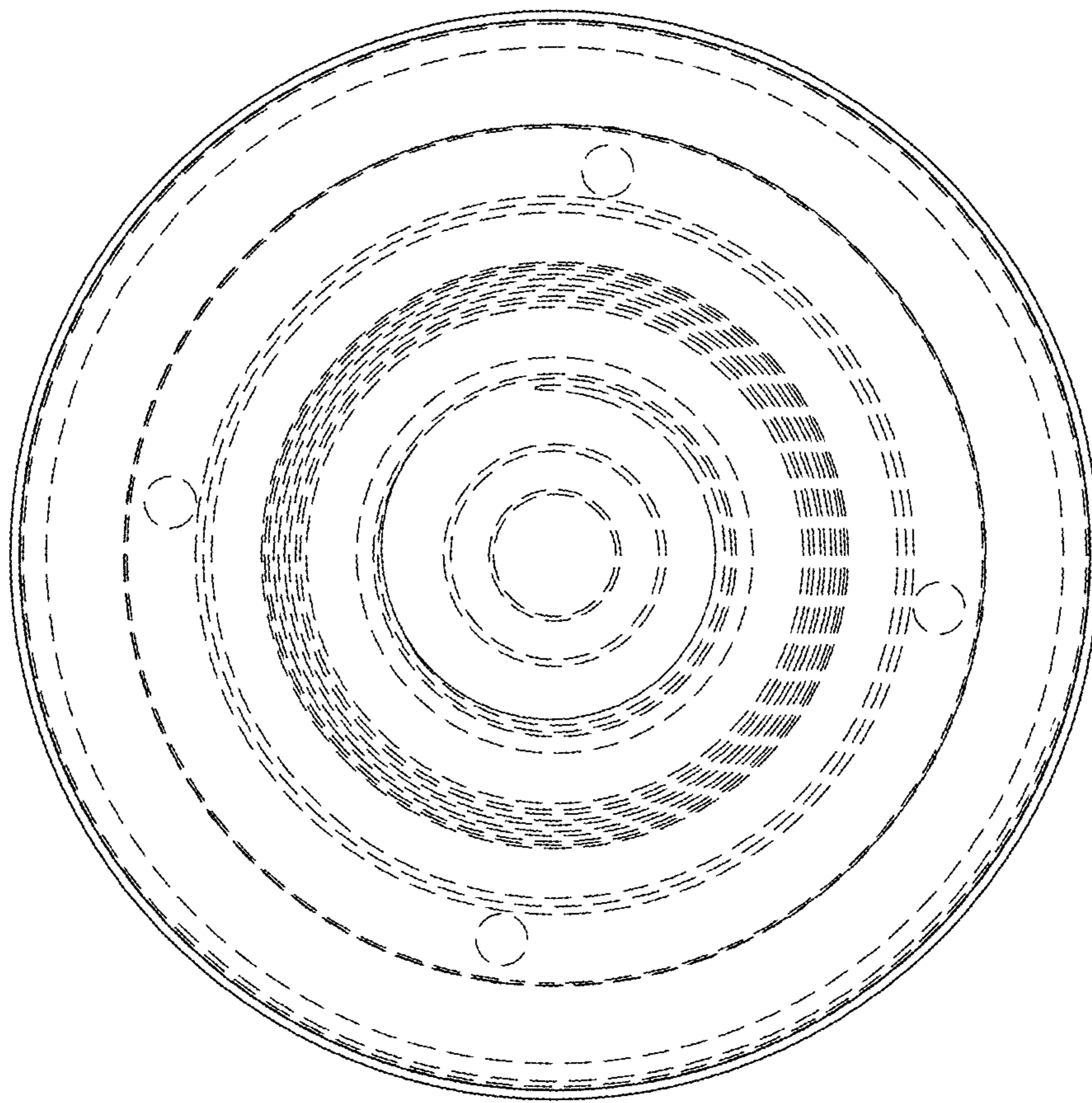


FIG. 7

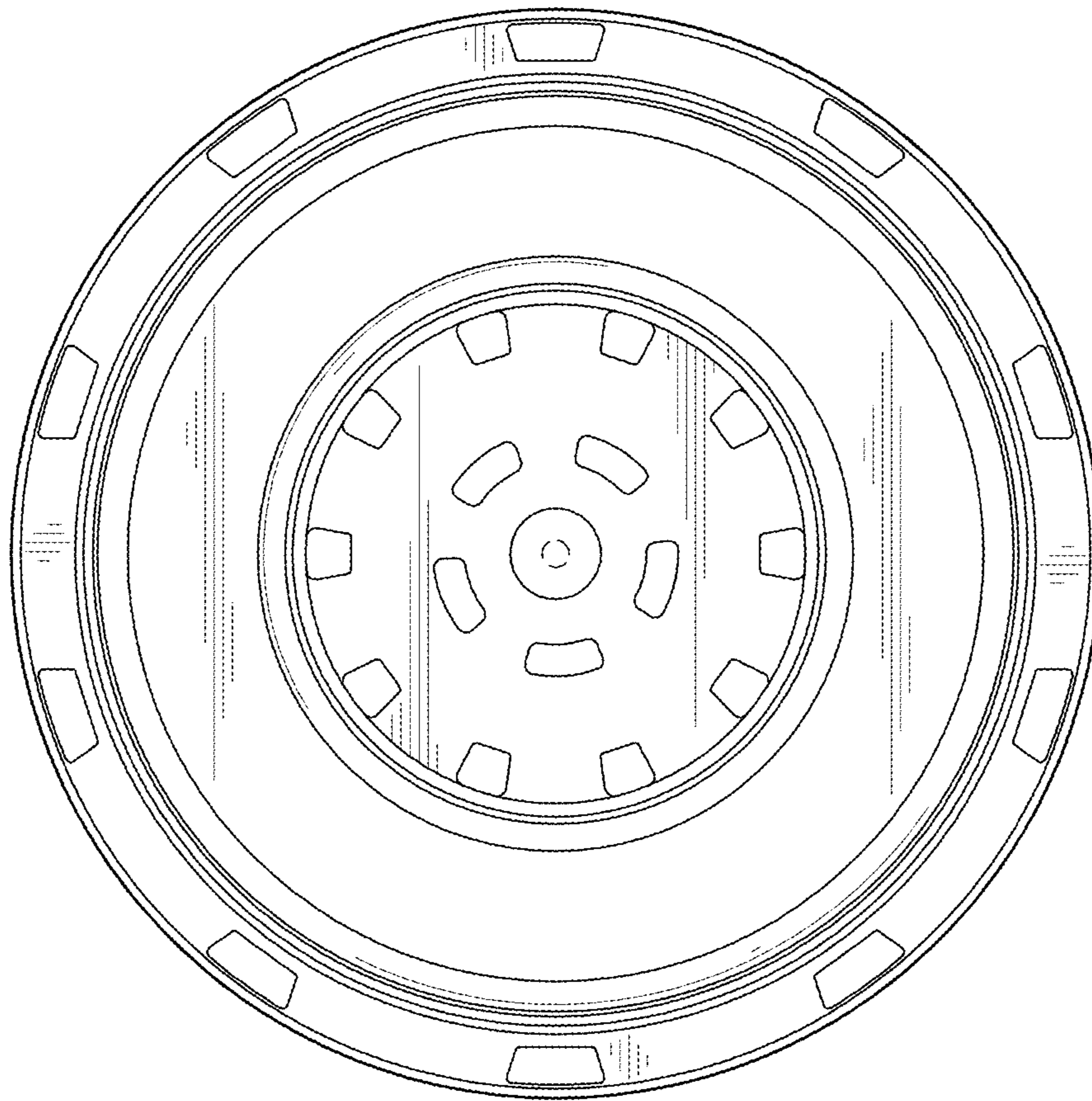


FIG. 8

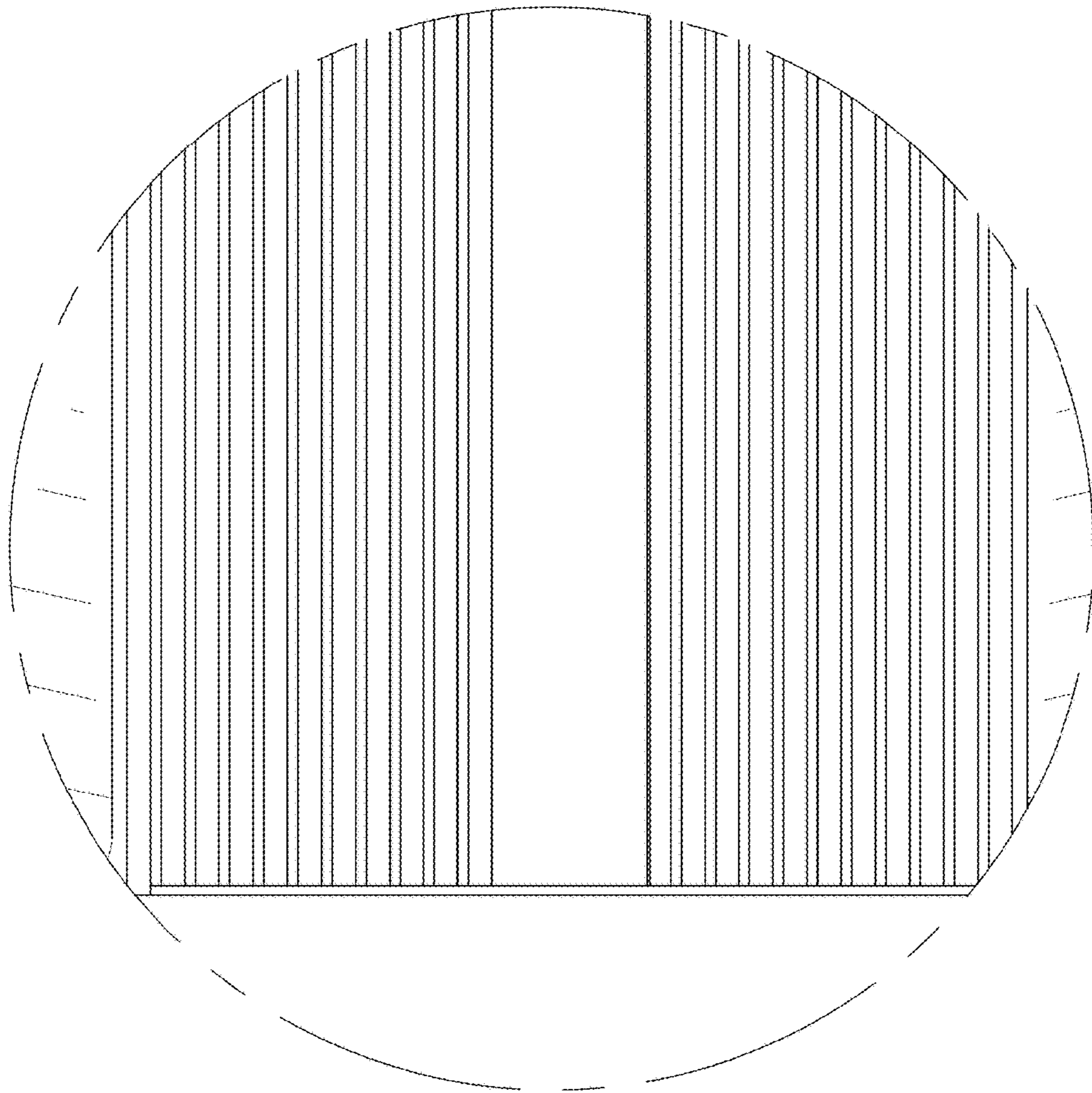


FIG. 9