



US00D827154S

(12) **United States Design Patent** (10) **Patent No.:** **US D827,154 S**  
**Lee et al.** (45) **Date of Patent:** **\*\* Aug. 28, 2018**

(54) **BUILDING**  
(71) Applicant: **Apple Inc.**, Cupertino, CA (US)  
(72) Inventors: **Doo Ho Lee**, San Francisco, CA (US);  
**Ted Nordstrom**, San Francisco, CA (US); **Winston Shu**, Kowloon (HK);  
**Mung Fei Yim**, Kowloon (HK)  
(73) Assignee: **Apple Inc.**, Cupertino, CA (US)  
(\*\*) Term: **15 Years**  
(21) Appl. No.: **29/553,505**  
(22) Filed: **Feb. 2, 2016**  
(51) **LOC (11) Cl.** ..... **25-03**  
(52) **U.S. Cl.**  
USPC ..... **D25/31**  
(58) **Field of Classification Search**  
USPC ..... D25/1, 3-6, 12-34, 56  
CPC ..... E04H 1/00-1/06; E04H 3/00-3/14; E04H  
1/12-1/1272  
See application file for complete search history.

D436,184 S 1/2001 Reiter  
D458,688 S 6/2002 Phifer  
D462,545 S 9/2002 Malle  
D462,777 S 9/2002 Phifer  
D473,075 S 4/2003 Malle  
(Continued)

**OTHER PUBLICATIONS**

Kyle Vanhemert, Look Inside Apple's Spaceship Headquarters with 24 All-New Renderings, Nov. 11, 2013, Wired, <https://www.wired.com/2013/11/a-glimpse-into-apples-crazy-new-spaceship-headquarters/> (Year: 2013).\*

(Continued)

*Primary Examiner* — Susan Bennett Hattan  
*Assistant Examiner* — Brett Miller  
(74) *Attorney, Agent, or Firm* — Sterne, Kessler, Goldstein & Fox P.L.L.C.

(57) **CLAIM**

The ornamental design for a building, as shown and described.

(56) **References Cited**

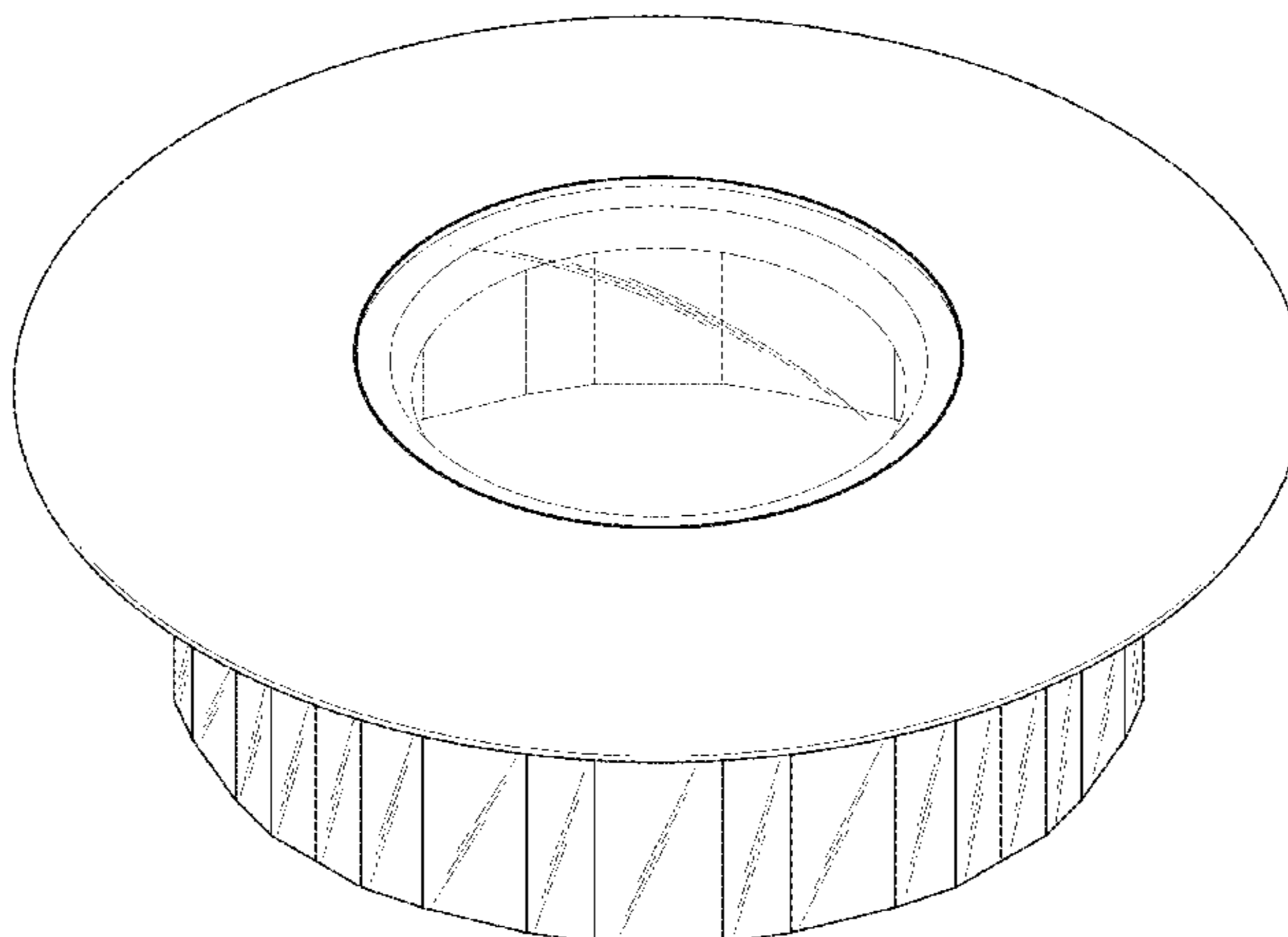
**U.S. PATENT DOCUMENTS**

1,905,413 A 4/1933 Kramer  
D197,217 S \* 12/1963 Dreyfuss ..... D25/31  
D197,218 S \* 12/1963 Dreyfuss ..... D25/31  
D202,771 S \* 11/1965 Wokas ..... D25/31  
3,453,786 A 7/1969 Rebarcheck  
D225,517 S \* 12/1972 Coplon ..... D25/31  
D244,381 S 5/1977 Crump et al.  
D248,570 S \* 7/1978 Smith ..... D25/31  
D250,482 S \* 12/1978 Forstrom ..... D25/31  
D253,781 S \* 12/1979 Engalitcheff, Jr. .... D25/31  
D253,844 S \* 1/1980 Engalitcheff, Jr. .... D25/31  
D259,280 S 5/1981 Mark  
4,434,595 A 3/1984 de Brabant  
D275,306 S 8/1984 Edwards et al.  
4,805,738 A \* 2/1989 Vayda ..... E04H 3/04  
186/36  
4,910,928 A 3/1990 Celler, Jr.

**DESCRIPTION**

FIG. 1 is a top, front, right perspective view of a building showing our new design.  
FIG. 2 is a front view thereof;  
FIG. 3 is a rear view thereof;  
FIG. 4 is a left side view thereof;  
FIG. 5 is a right side view thereof; and,  
FIG. 6 is a top view thereof.  
The shade lines in the figures show contour and not surface ornamentation.  
The oblique shade lines in the figures show transparency or translucency.  
Portions of the building not shown in the figures form no part of the claimed design.

**1 Claim, 4 Drawing Sheets**



(56)

**References Cited**

U.S. PATENT DOCUMENTS

D485,420 S 1/2004 Cannon  
D490,906 S 6/2004 Small  
D589,627 S 3/2009 Shreck et al.  
D617,003 S 6/2010 Linley  
D621,524 S 8/2010 Olsen et al.  
D641,090 S 7/2011 Clark  
D642,701 S 8/2011 Howard  
D643,131 S 8/2011 Howard  
D648,864 S 11/2011 Backus et al.  
D656,240 S 3/2012 Andreini et al.  
D712,067 S 8/2014 Backus et al.  
D720,082 S 12/2014 O'Callaghan et al.  
D797,305 S \* 9/2017 Peak ..... D25/25  
2010/0154318 A1 6/2010 Shockley et al.  
2010/0154319 A1 6/2010 Shockley et al.  
2012/0060437 A1\* 3/2012 McCune ..... E04H 1/1205  
52/204.1

OTHER PUBLICATIONS

GoKunming Staff, Apple opens official flagship store in Kunming, Jan. 21, 2017, GoKunming, [https://www.gokunming.com/en/blog/item/3880/apple\\_opens\\_official\\_flagship\\_store\\_in\\_kunming](https://www.gokunming.com/en/blog/item/3880/apple_opens_official_flagship_store_in_kunming) (Year: 2017).\*

\* cited by examiner

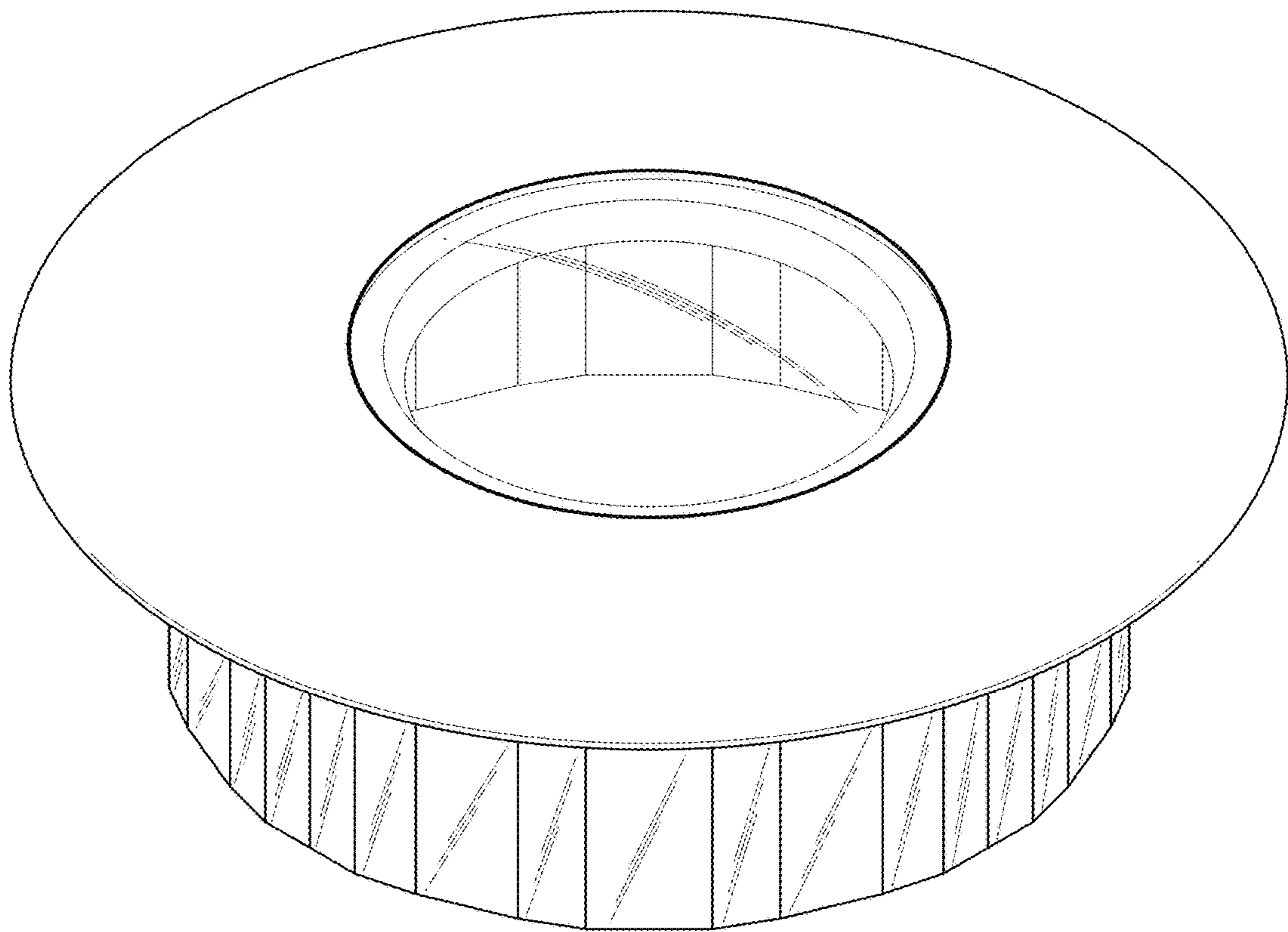


FIG. 1

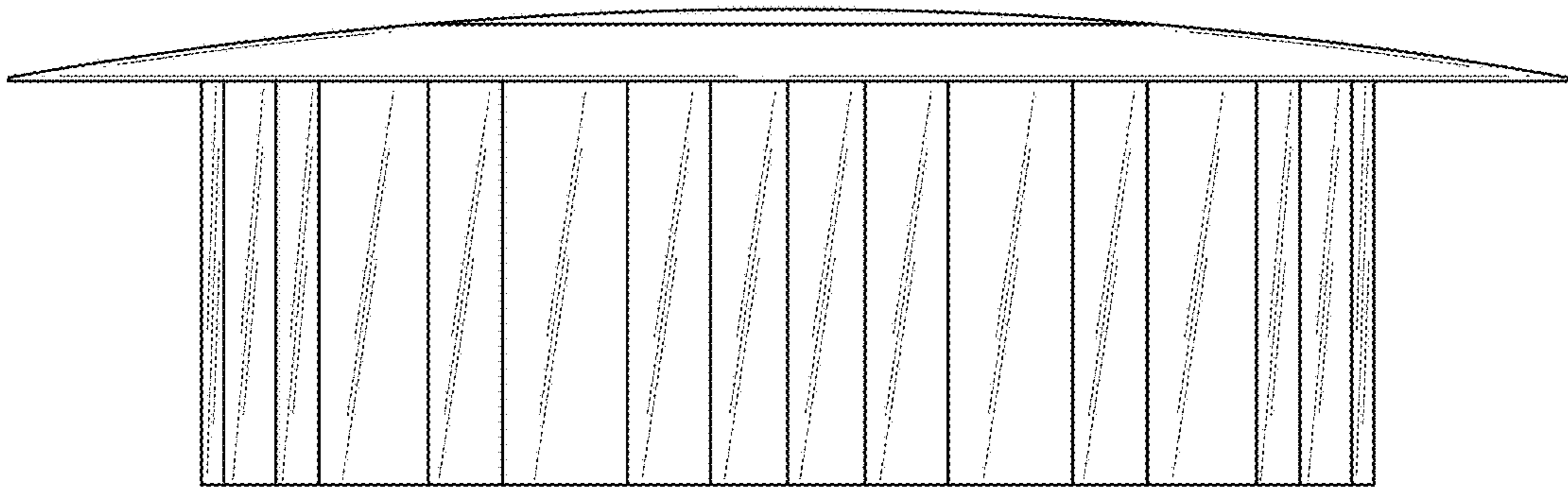


FIG. 2

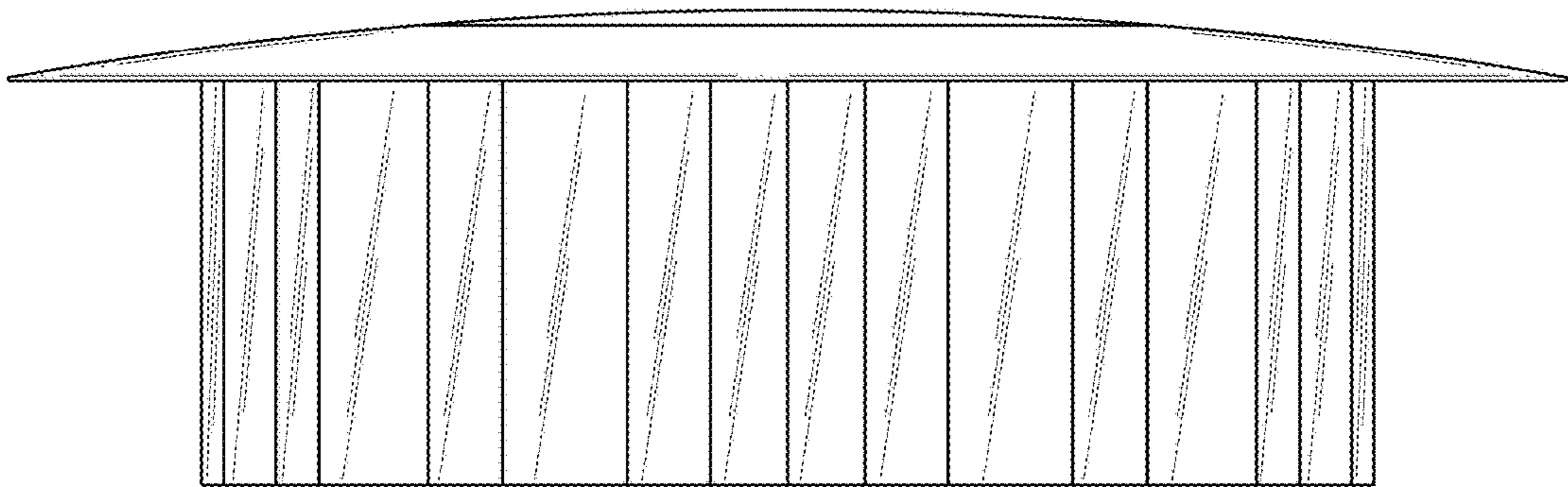


FIG. 3

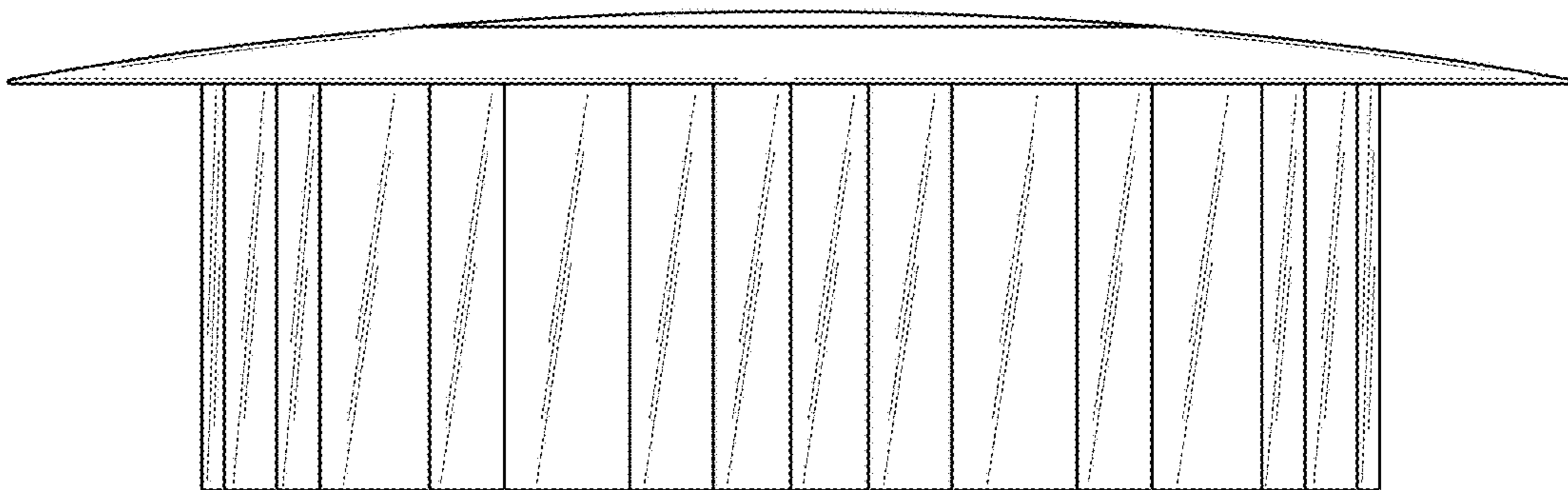


FIG. 4

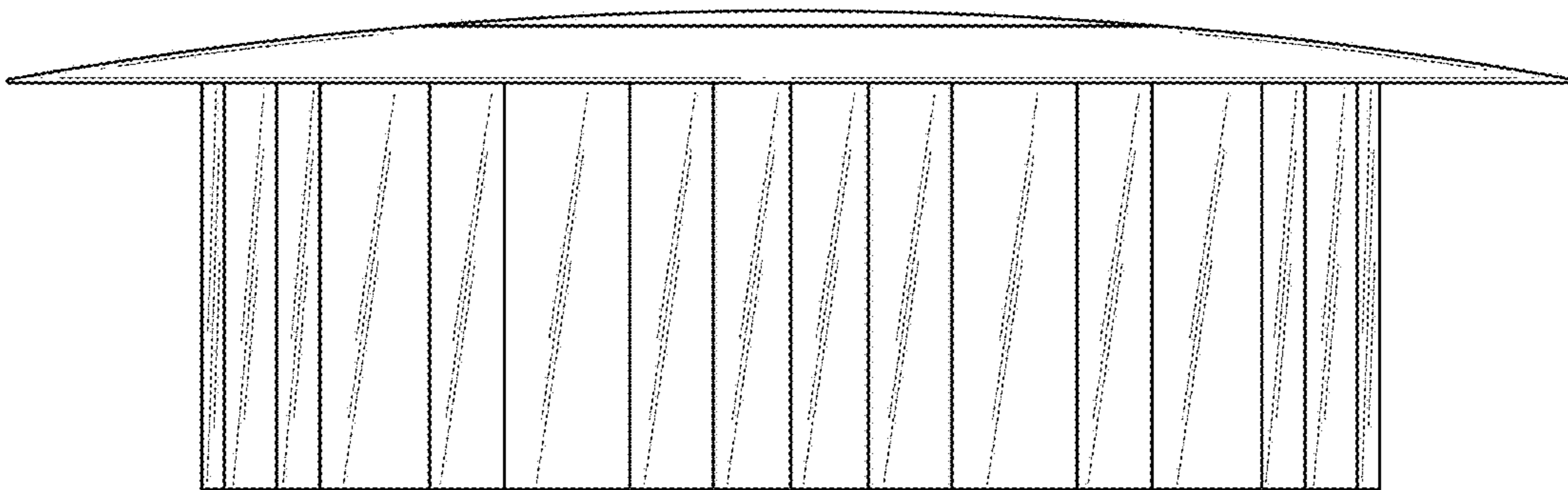


FIG. 5

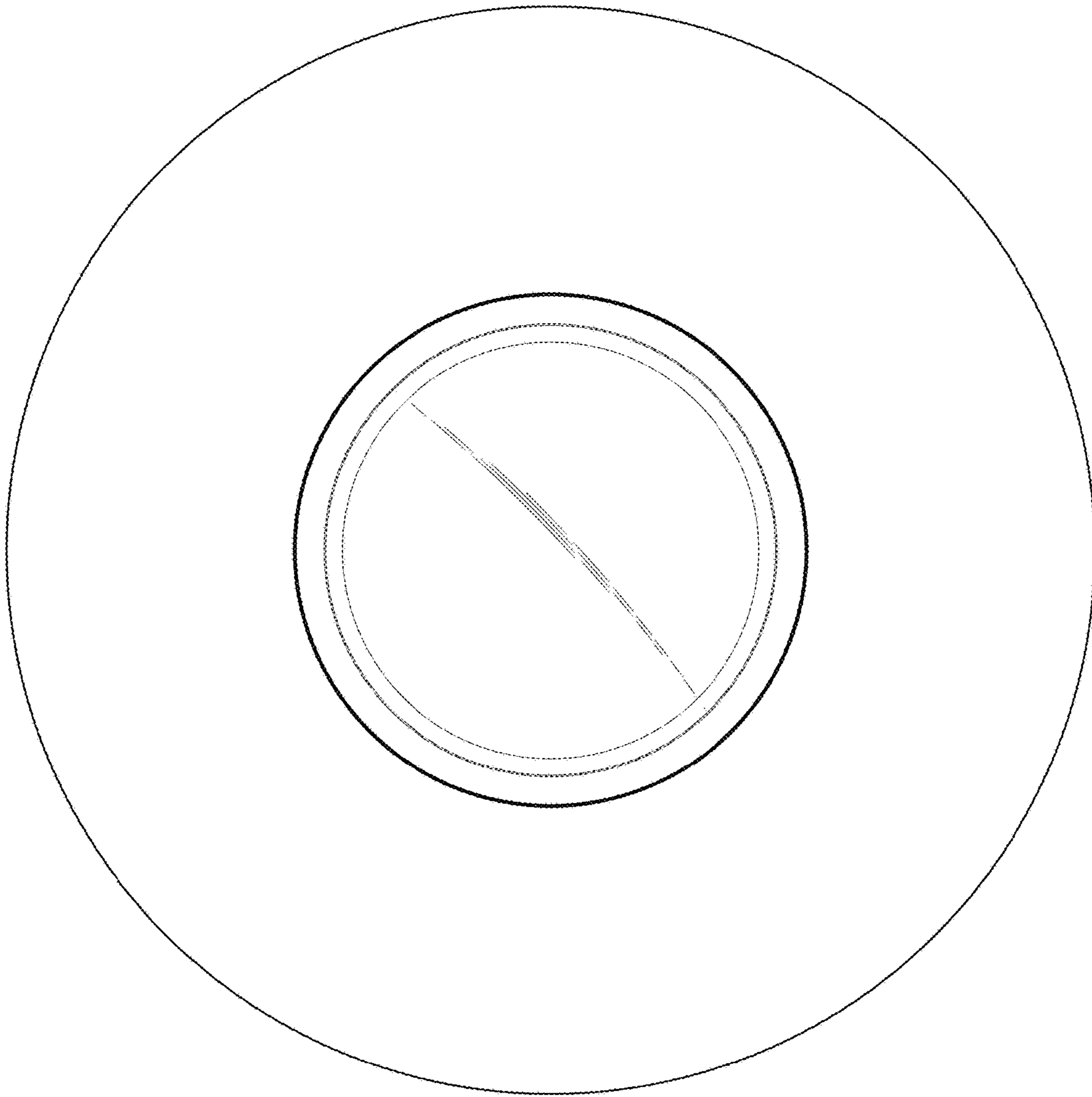


FIG. 6