



US00D827152S

(12) **United States Design Patent** (10) **Patent No.:** **US D827,152 S**
Ou (45) **Date of Patent:** **** Aug. 28, 2018**

- (54) **DISPOSABLE VIAL**
- (71) Applicant: **Pacific Vial Mfg., Inc.**, Commerce, CA (US)
- (72) Inventor: **Suk Hwan Ou**, Commerce, CA (US)
- (73) Assignee: **R.Y.L. INC.**, Commerce, CA (US)
- (**) Term: **15 Years**
- (21) Appl. No.: **29/606,518**
- (22) Filed: **Jun. 5, 2017**

6,148,826 A	11/2000	Lancaster et al.	
D445,908 S *	7/2001	Conway	D24/216
D447,812 S *	9/2001	Conway	D24/216
D730,735 S *	6/2015	Sommer	D9/500
D755,957 S *	5/2016	Larson	D24/121
D774,247 S *	12/2016	Chen	D27/101

(Continued)

FOREIGN PATENT DOCUMENTS

CA	2271404	11/2000
GB	2096564 A	10/1982
WO	WO-2014093181	6/2014

OTHER PUBLICATIONS

Non-Final Office Action dated Aug. 3, 2017, U.S. Appl. No. 15/593,242.

(Continued)

Primary Examiner — Anhdao Doan
Assistant Examiner — Mary Shannon Malley
(74) *Attorney, Agent, or Firm* — Womble Bond Dickinson (US) LLP

Related U.S. Application Data

- (60) Continuation-in-part of application No. 15/593,242, filed on May 11, 2017, which is a division of application No. 15/417,010, filed on Jan. 26, 2017, which is a continuation of application No. 15/003,442, filed on Jan. 21, 2016.
- (51) **LOC (11) Cl.** **24-01**
- (52) **U.S. Cl.**
USPC **D24/224; D27/163**
- (58) **Field of Classification Search**
USPC D24/169, 216, 222–227, 229–232; D3/203.1, 203.2; D10/78–81; D9/503, D9/504, 516, 517, 520, 521, 529, 547, D9/549; D27/100, 101, 163
CPC .. B01L 3/52; B01L 3/523; B01L 3/545; B01L 3/5453; B01L 3/56; B01L 3/5021; B01L 3/5025; B01L 3/5082; G01N 33/491; G01N 33/5005; A24F 1/32; A24F 1/28; C03B 23/043; C03B 23/045; C03B 23/0473; C03B 23/0493
See application file for complete search history.

(57) **CLAIM**

The ornamental design for a disposable vial, as shown and described.

DESCRIPTION

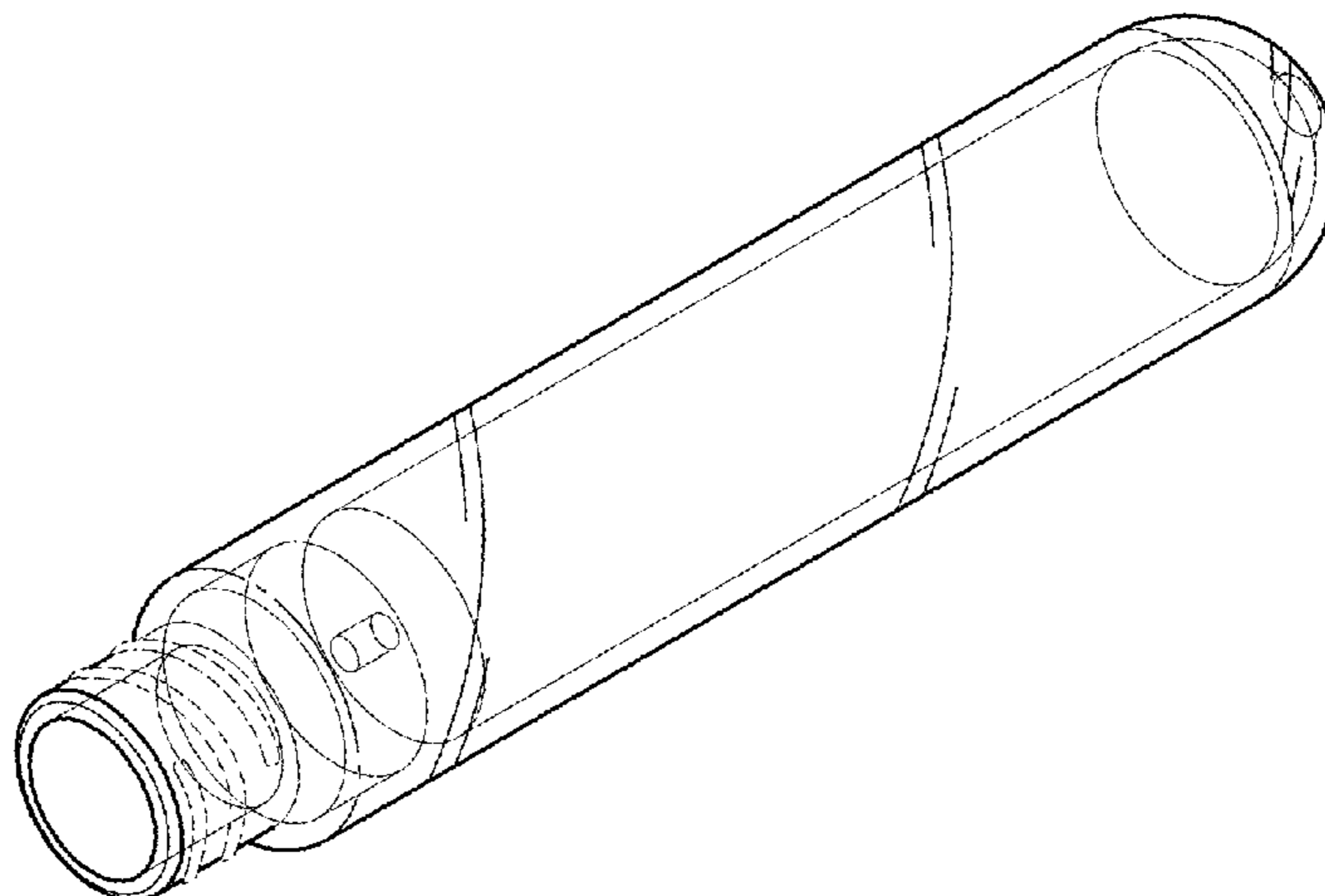
FIG. 1 is a front, side perspective view of my disposable vial.
FIG. 2 is a top plan view thereof.
FIG. 3 is a front elevation view thereof.
FIG. 4 is a rear elevation view thereof.
FIG. 5 is a bottom plan view thereof.
FIG. 6 is a side elevation view thereof; and,
FIG. 7 is a side elevation view thereof from a side opposite to FIG. 6.
The broken lines show portions of the disposable vial that form no part of the claimed design.

(56) **References Cited**

U.S. PATENT DOCUMENTS

4,516,998 A	5/1985	Ritt et al.	
D357,985 S *	5/1995	Burns	D24/224

1 Claim, 2 Drawing Sheets



(56)

References Cited

U.S. PATENT DOCUMENTS

D810,355 S * 2/2018 Liu D27/101
D814,103 S * 3/2018 Levinson D27/101
2008/0271744 A1 11/2008 Danforth
2010/0218778 A1 9/2010 Borden
2014/0158143 A1* 6/2014 Barrett A24F 1/02
131/202
2014/0360513 A1* 12/2014 Morgan A24F 1/28
131/328
2015/0336320 A1* 11/2015 Poulat B65D 1/0207
53/453
2017/0238604 A1* 8/2017 Ou A24F 1/32

OTHER PUBLICATIONS

Pacific Vial MFG., Inc., International Search Report and Written
Opinion dated Apr. 18, 2017, Application No. PCT/US2017/
014185.

Pacific Vial MFG., Inc., Notice of Allowance dated May 9, 2017,
U.S. Appl. No. 15/417,010.

* cited by examiner

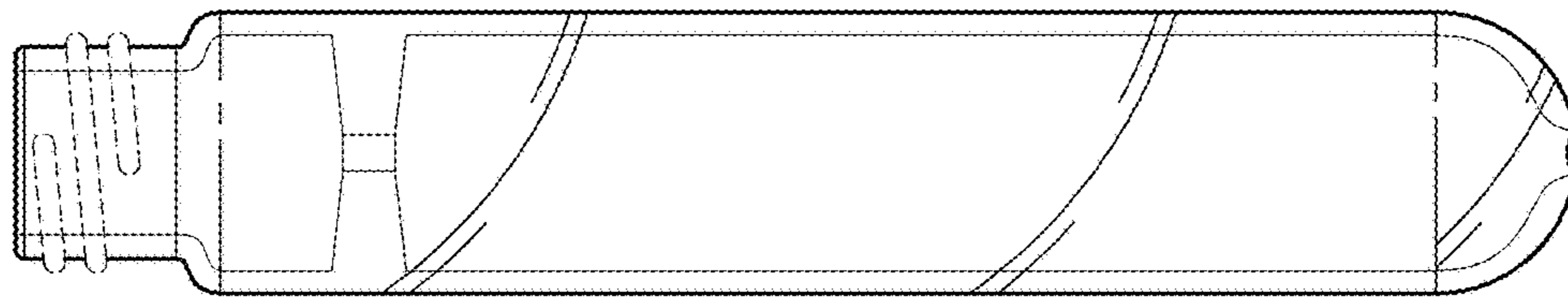
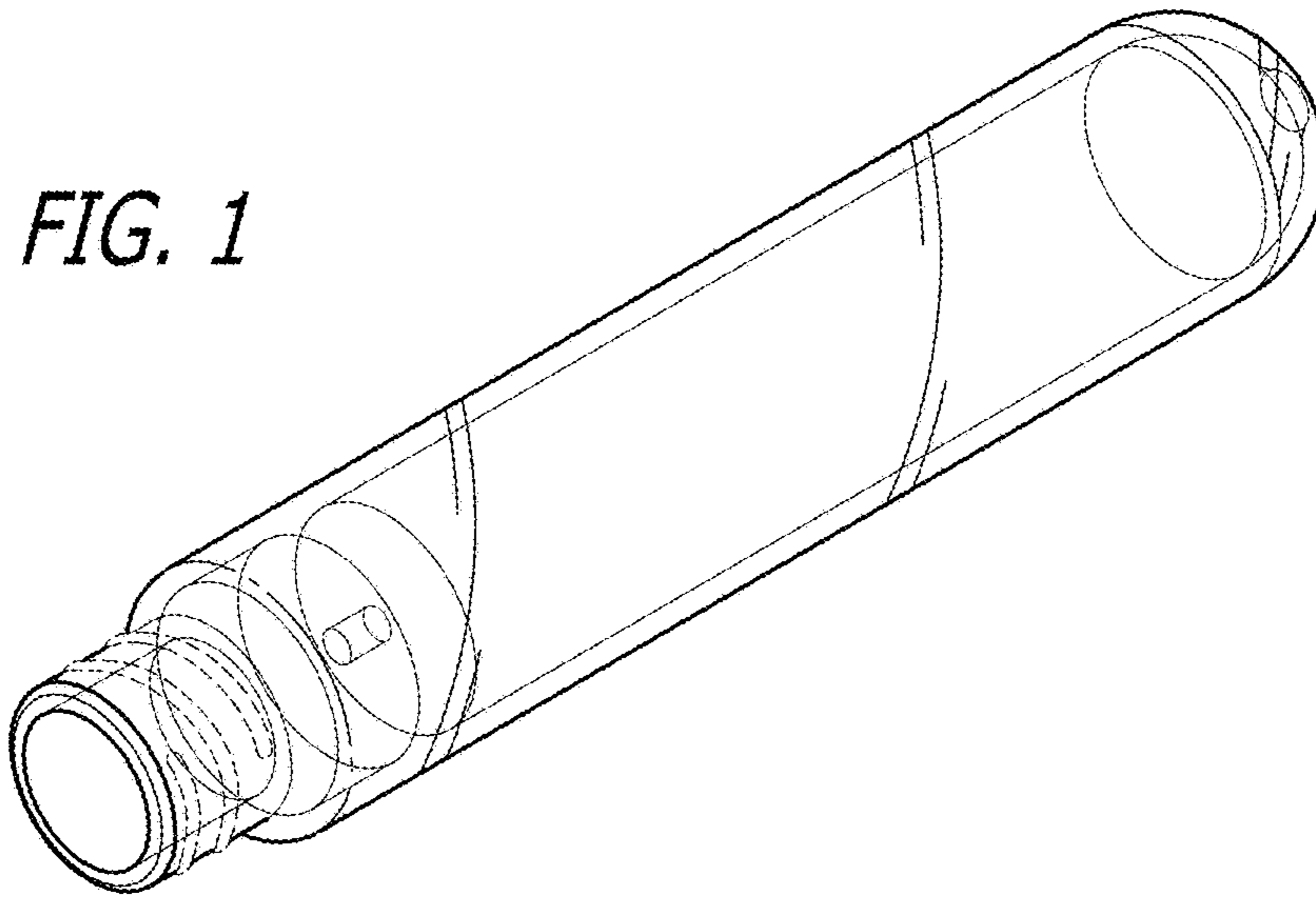


FIG. 2

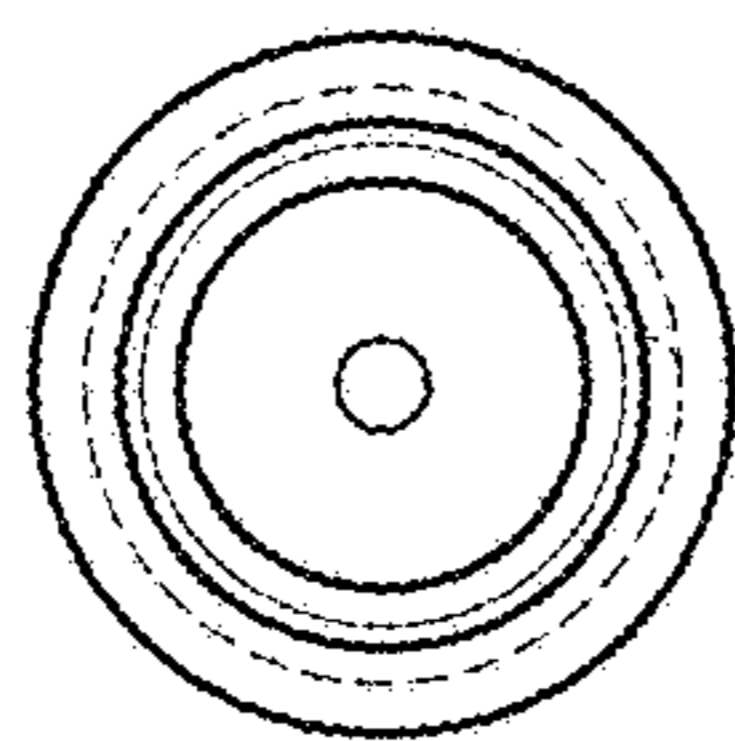


FIG. 3

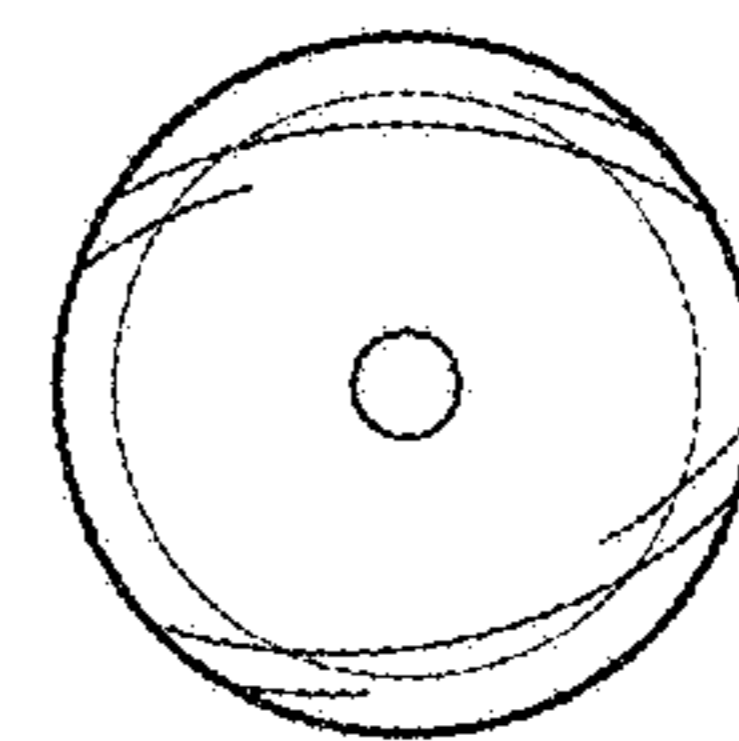


FIG. 4

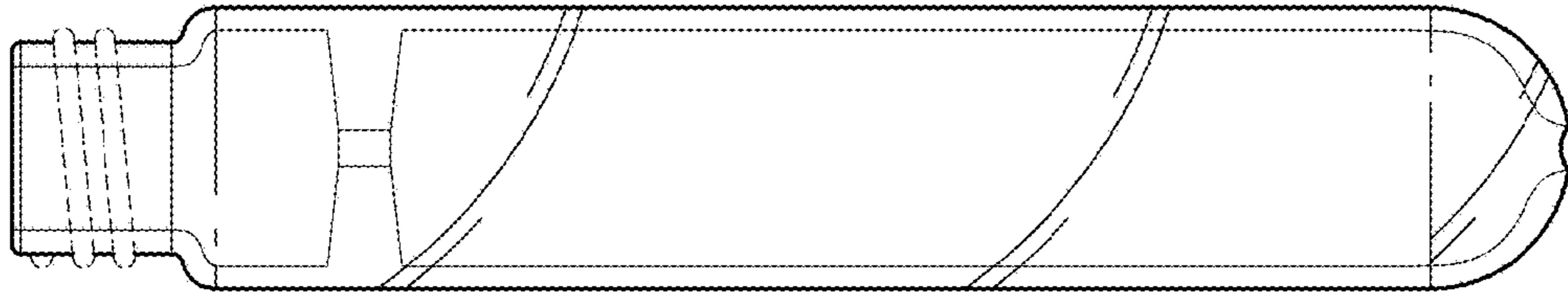


FIG. 5



FIG. 6

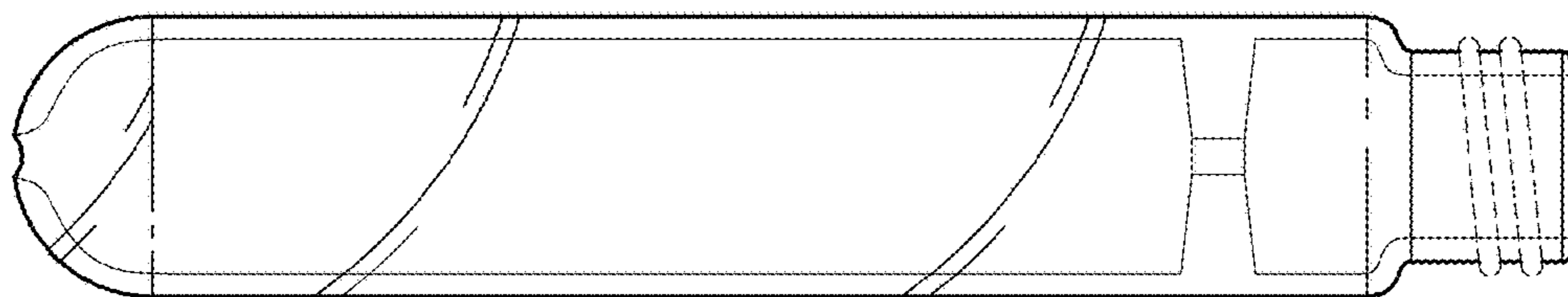


FIG. 7