



US00D827150S

(12) **United States Design Patent**
Nakagawa et al.

(10) **Patent No.:** **US D827,150 S**
(45) **Date of Patent:** **** Aug. 28, 2018**

(54) **COLUMN PIPE**

(71) Applicant: **Hitachi High-Technologies Corporation**, Minato-ku, Tokyo (JP)

(72) Inventors: **Hiroaki Nakagawa**, Tokyo (JP); **Kengo Muramatsu**, Yokohama (JP)

(73) Assignee: **Hitachi High-Technologies Corporation**, Tokyo (JP)

(**) Term: **15 Years**

(21) Appl. No.: **29/594,888**

(22) Filed: **Feb. 23, 2017**

(30) **Foreign Application Priority Data**

Aug. 29, 2016 (JP) 2016-018333

(51) **LOC (11) Cl.** **24-02**

(52) **U.S. Cl.**
USPC **D24/224; D10/81**

(58) **Field of Classification Search**

USPC D23/259, 262–266, 268; D8/382;
251/147–149; 285/39; D24/112, 129,
D24/166, 232, 107–108, 165, 216, 231,
D24/224; 422/70, 405; 96/105–107;
73/23.39; D10/81
CPC F16L 33/225; F16L 37/091; F16L 35/00;
F16L 21/035; F16L 41/02; F16K 49/002;
B01D 15/22; G01N 30/02; G01N
2030/022; G01N 2030/025; G01N
2030/027

See application file for complete search history.

(56) **References Cited**

U.S. PATENT DOCUMENTS

2,040,155 A * 5/1936 Shoemaker F16L 37/088
285/111
4,156,531 A * 5/1979 Boucquey F16L 27/10
277/562

D254,445 S * 3/1980 Boghosian D24/224
D255,145 S * 5/1980 Nederman 285/148.19
D270,819 S * 10/1983 Simons D10/83
4,927,192 A * 5/1990 Ungchusri F16L 19/0231
285/305
D426,165 S * 6/2000 Tuvim D10/78
6,387,256 B1 * 5/2002 Tuvim B01D 15/22
210/198.2
D465,030 S * 10/2002 Lodge D24/224
D533,670 S * 12/2006 Py D24/224
D613,873 S * 4/2010 Jia D24/224

(Continued)

Primary Examiner — Eric L Goodman

Assistant Examiner — Amy C Wierenga

(74) *Attorney, Agent, or Firm* — Crowell & Moring LLP

(57) **CLAIM**

The ornamental design for a column pipe, as shown and described.

DESCRIPTION

This application contains subject matter related to the following co-pending U.S. design patent applications:

Application Ser. No. 29/594,886, filed herewith and entitled “Column”; and

Application Ser. No. 29/594,889, filed herewith and entitled “Column End Cap”.

FIG. 1 is a front and top perspective view of a column pipe according to the design;

FIG. 2 is a front elevational view thereof;

FIG. 3 is a right side elevational view thereof;

FIG. 4 is a top plan view thereof; and,

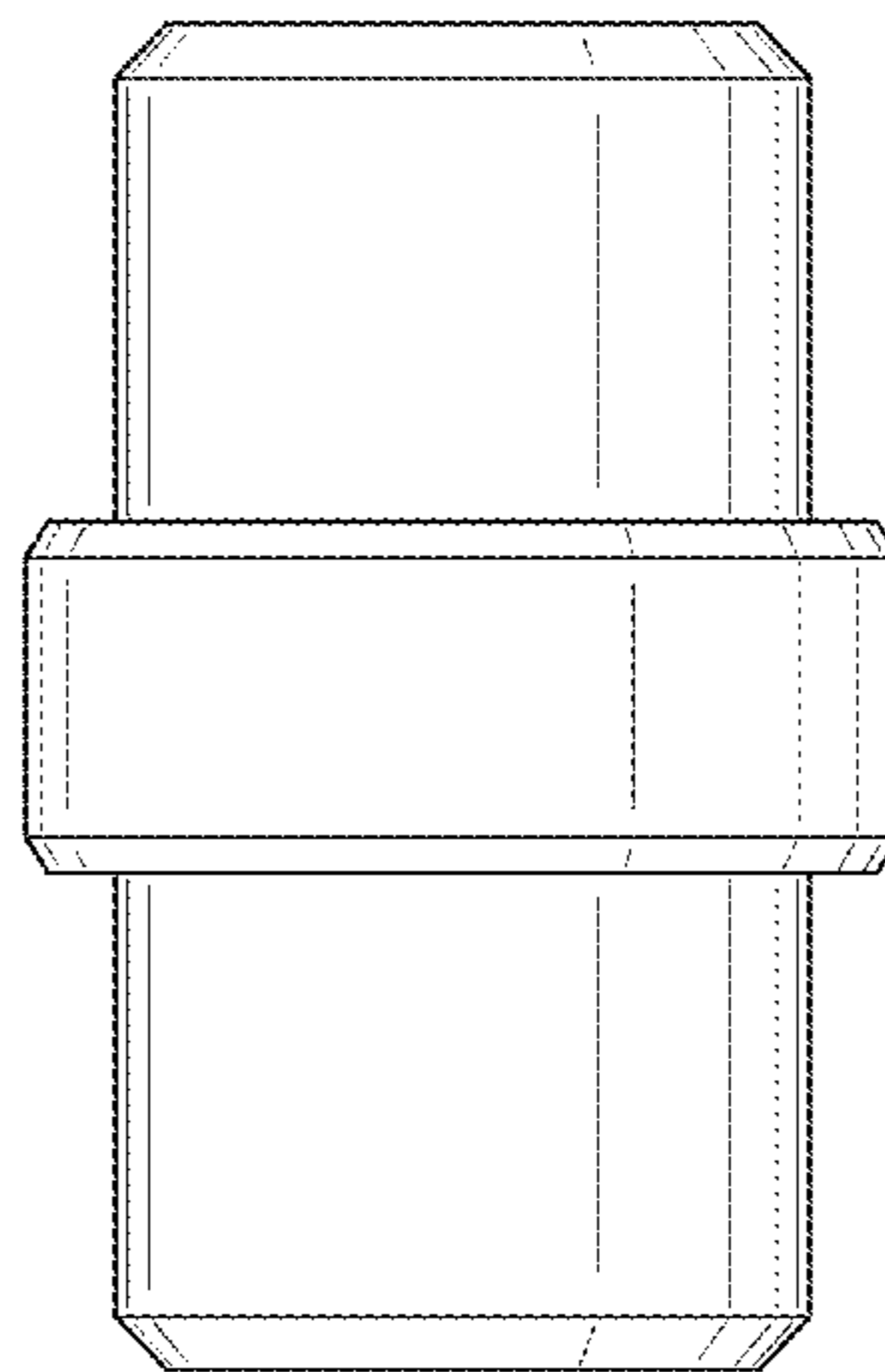
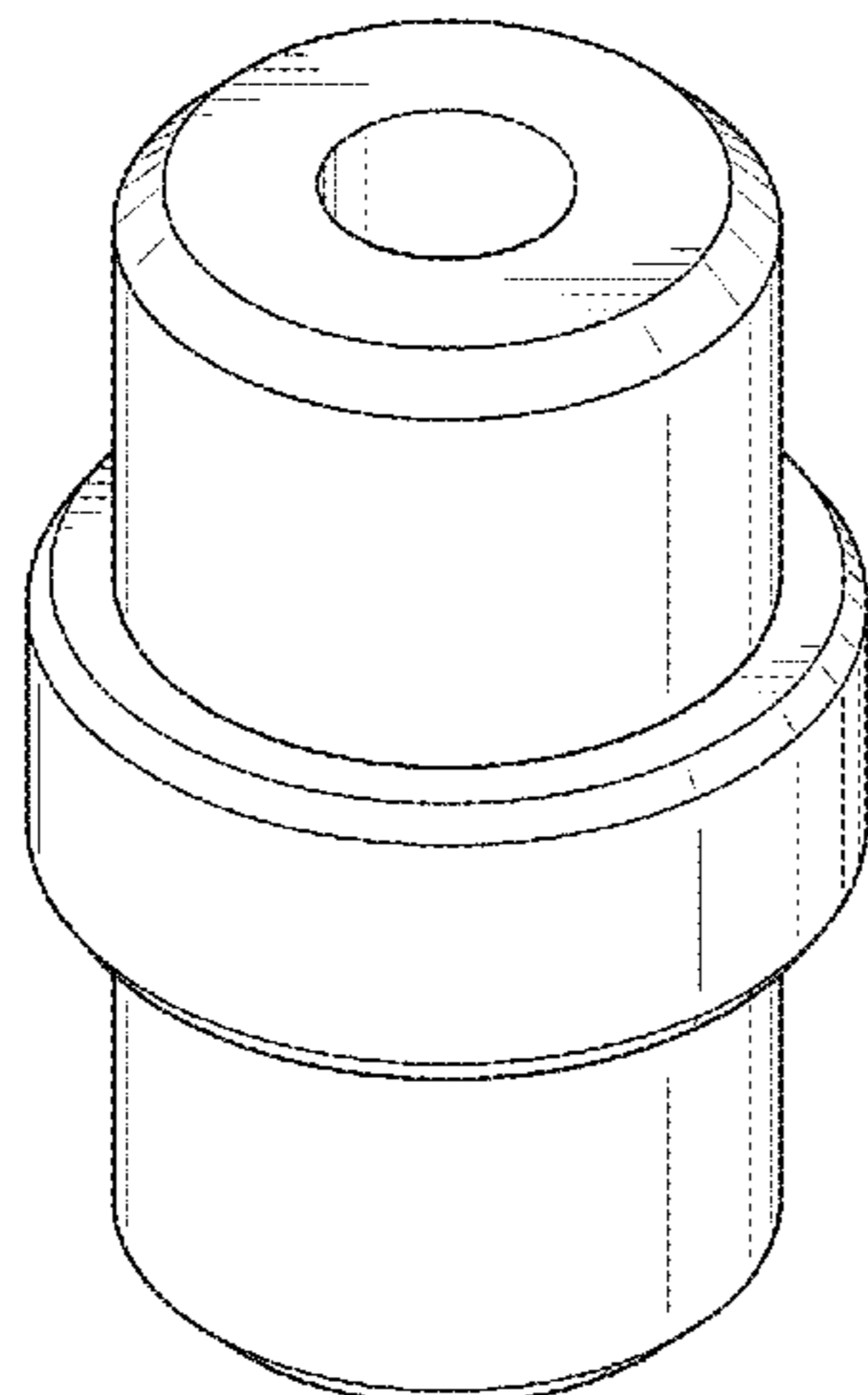
FIG. 5 is a cross-sectional view thereof taken along line 5-5 of FIG. 2.

A rear elevational view is the same as the front elevational view.

A left side elevational view is the same as the right side elevational view.

A bottom plan view is the same as the top plan view.

1 Claim, 2 Drawing Sheets



(56)

References Cited

U.S. PATENT DOCUMENTS

9,457,504 B2 * 10/2016 Beemer G01N 30/26
2014/0183857 A1 * 7/2014 Matula, Jr. A61M 16/0816
285/285.1

* cited by examiner

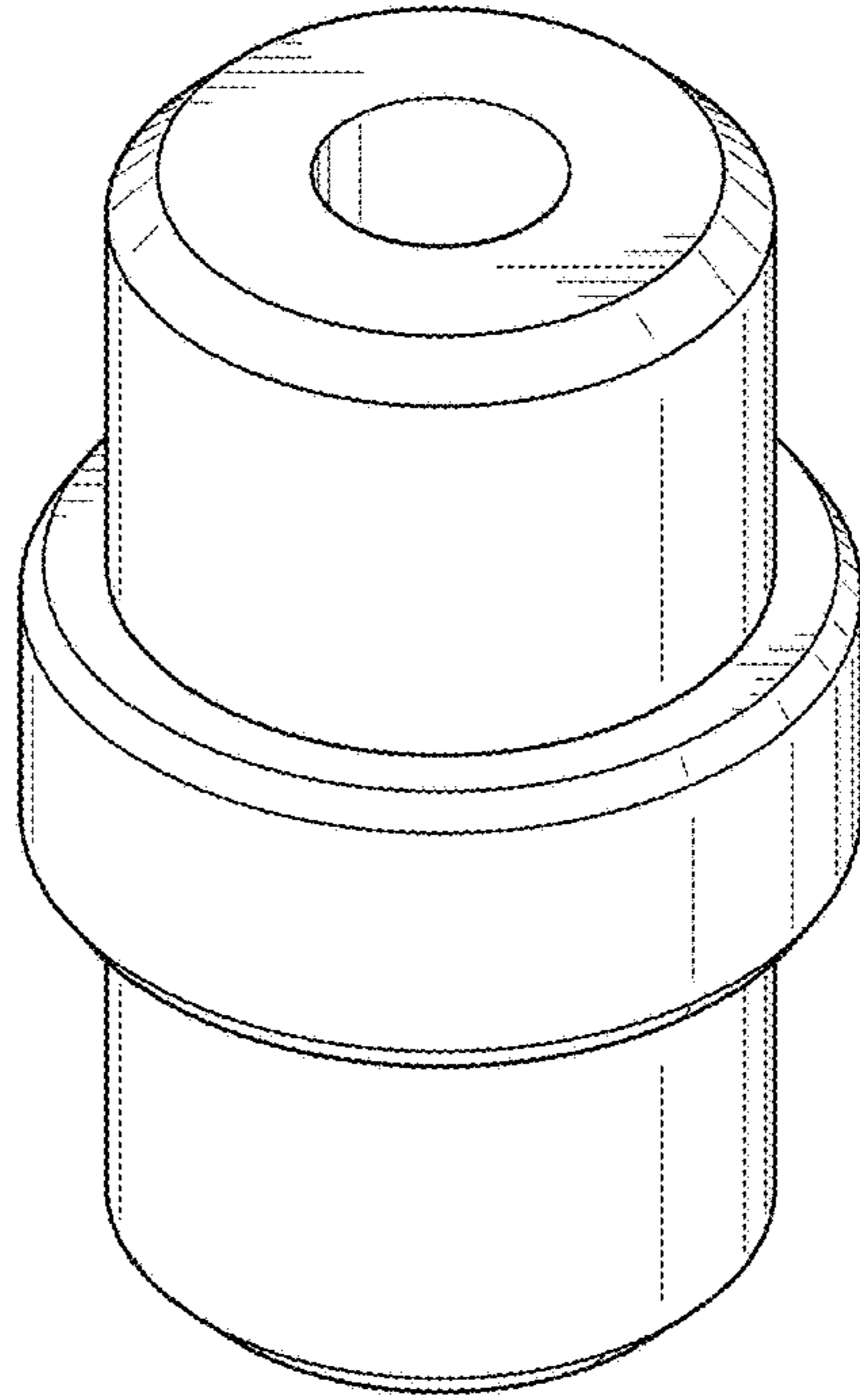


FIG. 1

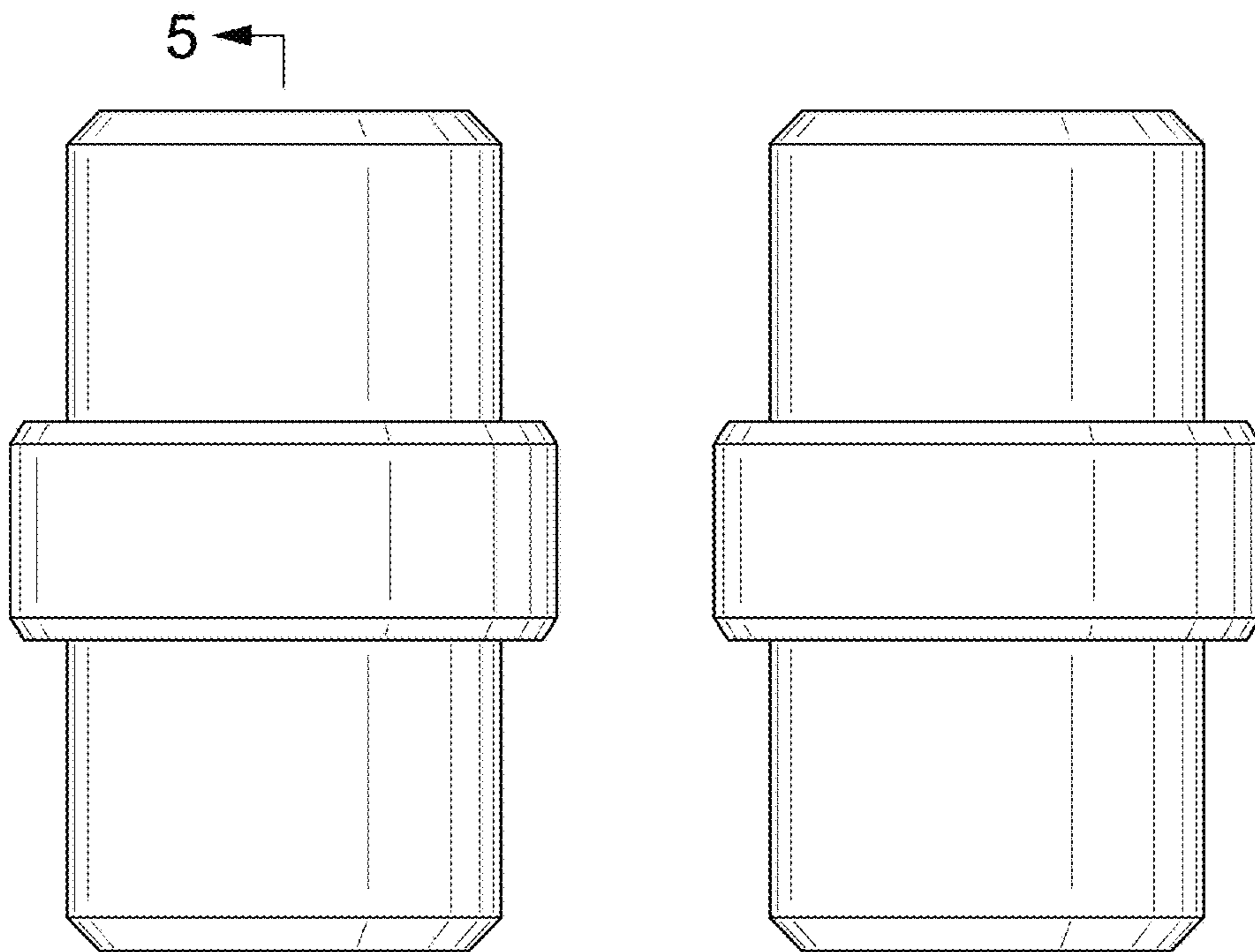


FIG. 2

FIG. 3

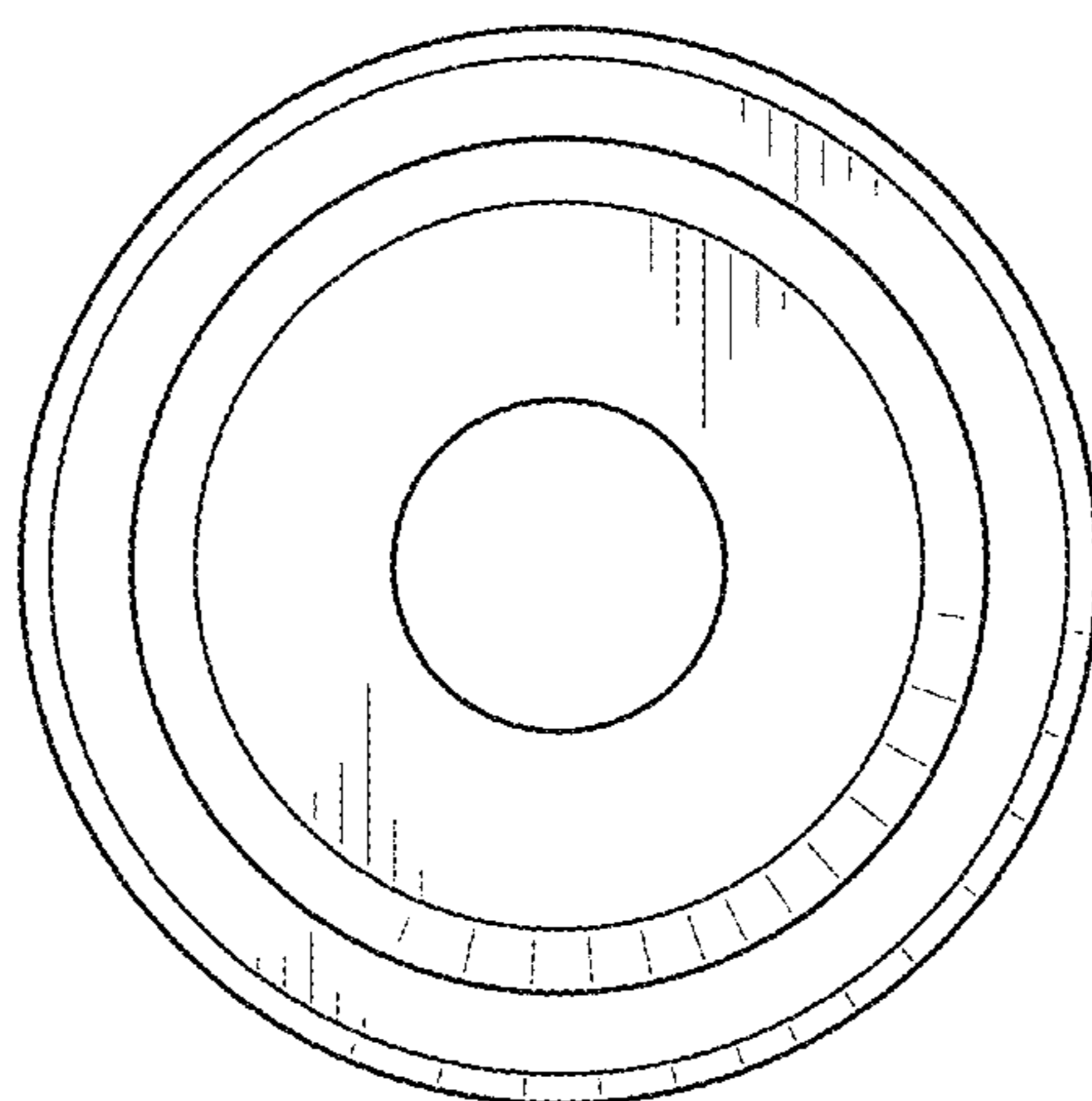


FIG. 4

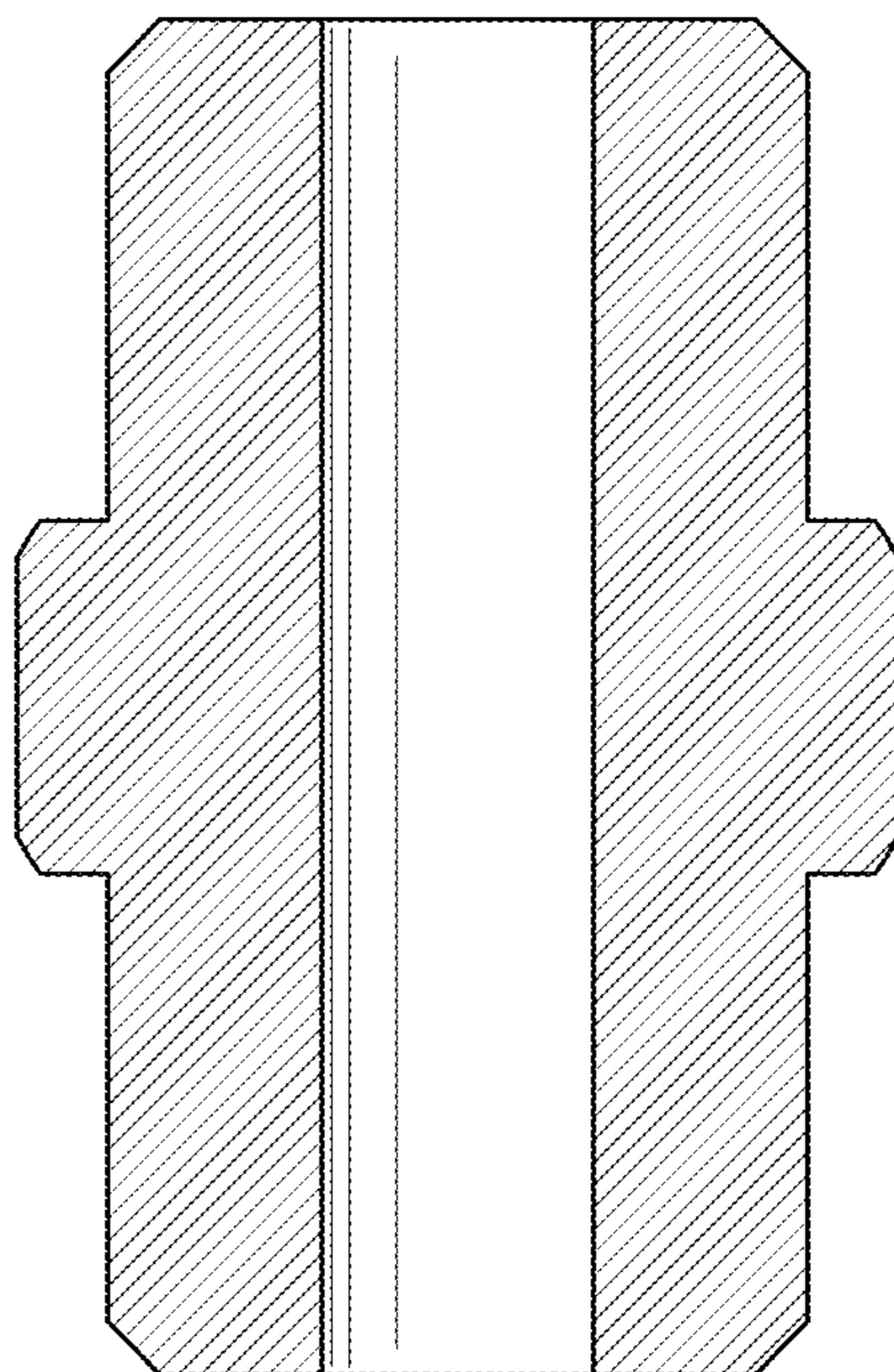


FIG. 5