



US00D827149S

(12) **United States Design Patent** (10) **Patent No.:** **US D827,149 S**  
**Self et al.** (45) **Date of Patent:** **\*\* Aug. 28, 2018**

(54) **PROCESS PLATE**  
(71) Applicant: **Becton, Dickinson and Company**,  
Franklin Lakes, NJ (US)  
(72) Inventors: **Brian A. Self**, Monkton, MD (US);  
**Dwight Livingston**, Fallston, MD (US)  
(73) Assignee: **Becton, Dickinson and Company**,  
Franklin Lakes, NJ (US)

D699,371 S \* 2/2014 Williams ..... D24/230  
8,728,415 B2 \* 5/2014 Seippel ..... B01L 3/5085  
422/553  
D710,024 S \* 7/2014 Guo ..... D24/230  
D718,465 S \* 11/2014 Tajima ..... D24/224  
D729,942 S \* 5/2015 Keizer ..... D24/226  
9,180,456 B2 \* 11/2015 Malinoski ..... C08L 67/02  
D778,459 S \* 2/2017 Tajima ..... D24/224  
D792,981 S \* 7/2017 Tajima ..... D24/224  
D793,573 S \* 8/2017 Karmeniemi ..... D24/226

(\*\*) Term: **15 Years**  
(21) Appl. No.: **29/575,809**  
(22) Filed: **Aug. 29, 2016**

**Related U.S. Application Data**

(63) Continuation-in-part of application No. 29/564,484,  
filed on May 13, 2016.  
(51) **LOC (11) Cl.** ..... **24-02**  
(52) **U.S. Cl.**  
USPC ..... **D24/224**  
(58) **Field of Classification Search**  
USPC ..... D24/224; 422/562, 561, 560, 564, 500  
CPC ..... B01L 3/5085; A61B 10/0096; A61B  
10/0038; A61B 10/02  
See application file for complete search history.

(56) **References Cited**

**U.S. PATENT DOCUMENTS**

6,601,725 B2 \* 8/2003 Lafond ..... B01L 3/50853  
220/23.4  
D574,506 S \* 8/2008 Monks ..... D24/224  
D608,013 S \* 1/2010 Coulling ..... D24/224  
D618,820 S \* 6/2010 Wilson ..... D24/227  
D624,194 S \* 9/2010 Pack ..... D24/224  
D673,294 S \* 12/2012 Motadel ..... D24/227  
D690,027 S \* 9/2013 Motadel ..... D24/227

**FOREIGN PATENT DOCUMENTS**

AU 201614442 C1 11/2016

\* cited by examiner

*Primary Examiner* — Susan Bennett Hattan  
*Assistant Examiner* — Rebecca Tsehaye  
(74) *Attorney, Agent, or Firm* — Lerner, David,  
Littenberg, Krumholz & Mentlik, LLP

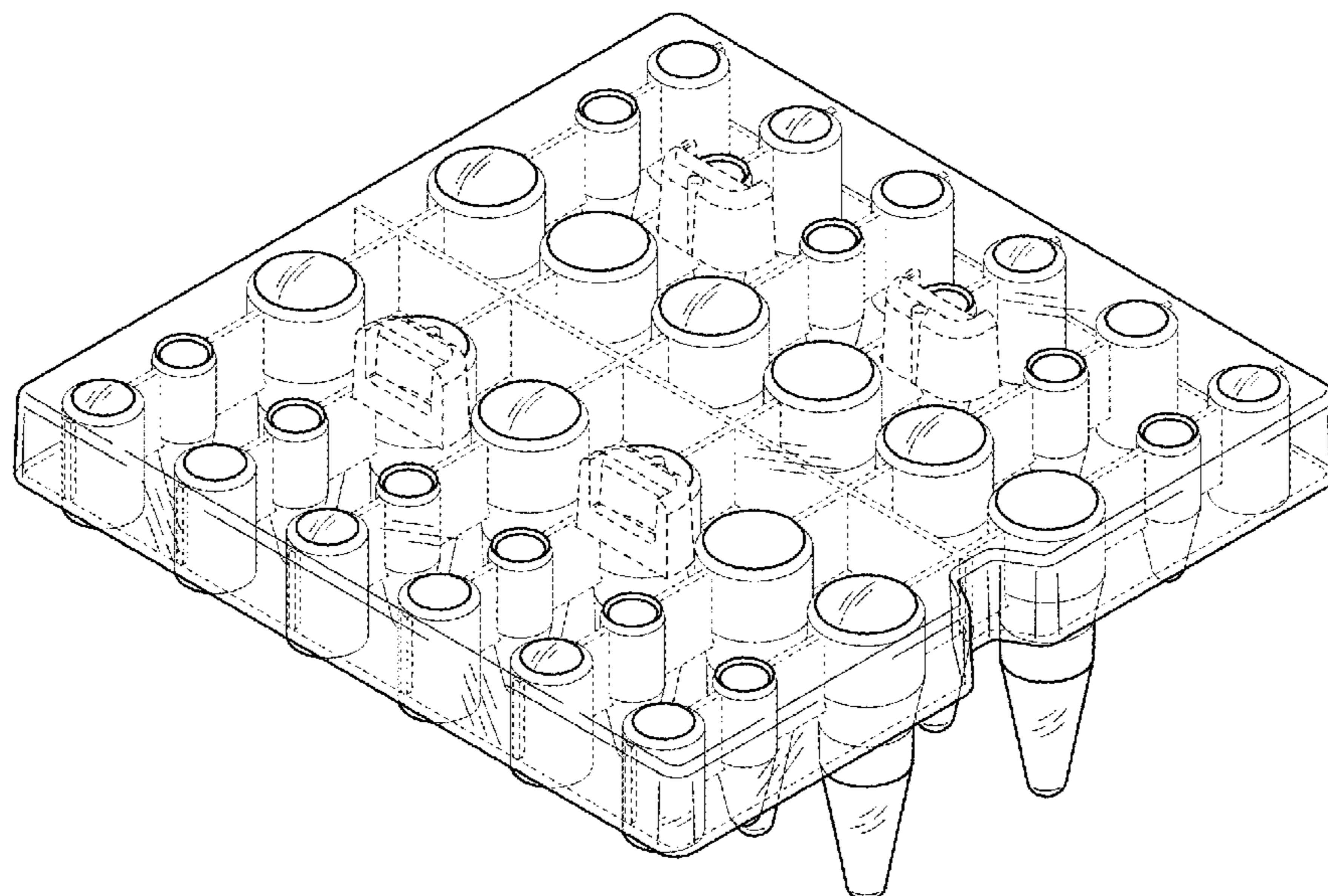
(57) **CLAIM**

The ornamental design for a process plate, as shown and described.

**DESCRIPTION**

FIG. 1 is a front perspective view of a process plate according to our design;  
FIG. 2 is a front elevational view thereof;  
FIG. 3 is a rear elevational view thereof;  
FIG. 4 is a right side elevational view thereof;  
FIG. 5 is a left side elevational view thereof;  
FIG. 6 is a top plan view thereof; and,  
FIG. 7 is a bottom plan view thereof.  
The broken lines illustrate unclaimed environmental structure and form no part of the claimed design. The oblique shade lines shown in the drawings indicate a transparent surface.

**1 Claim, 4 Drawing Sheets**



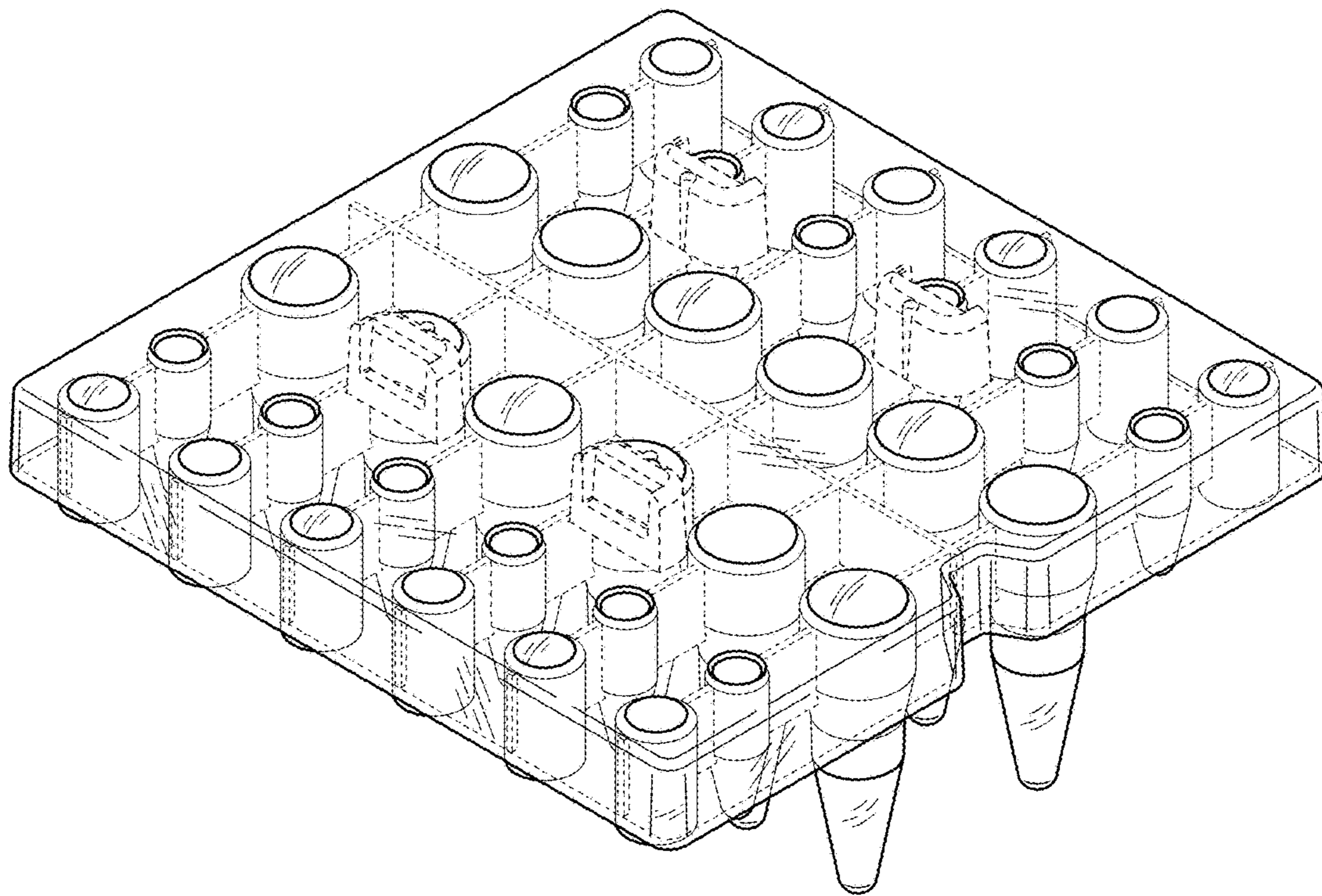


FIG. 1

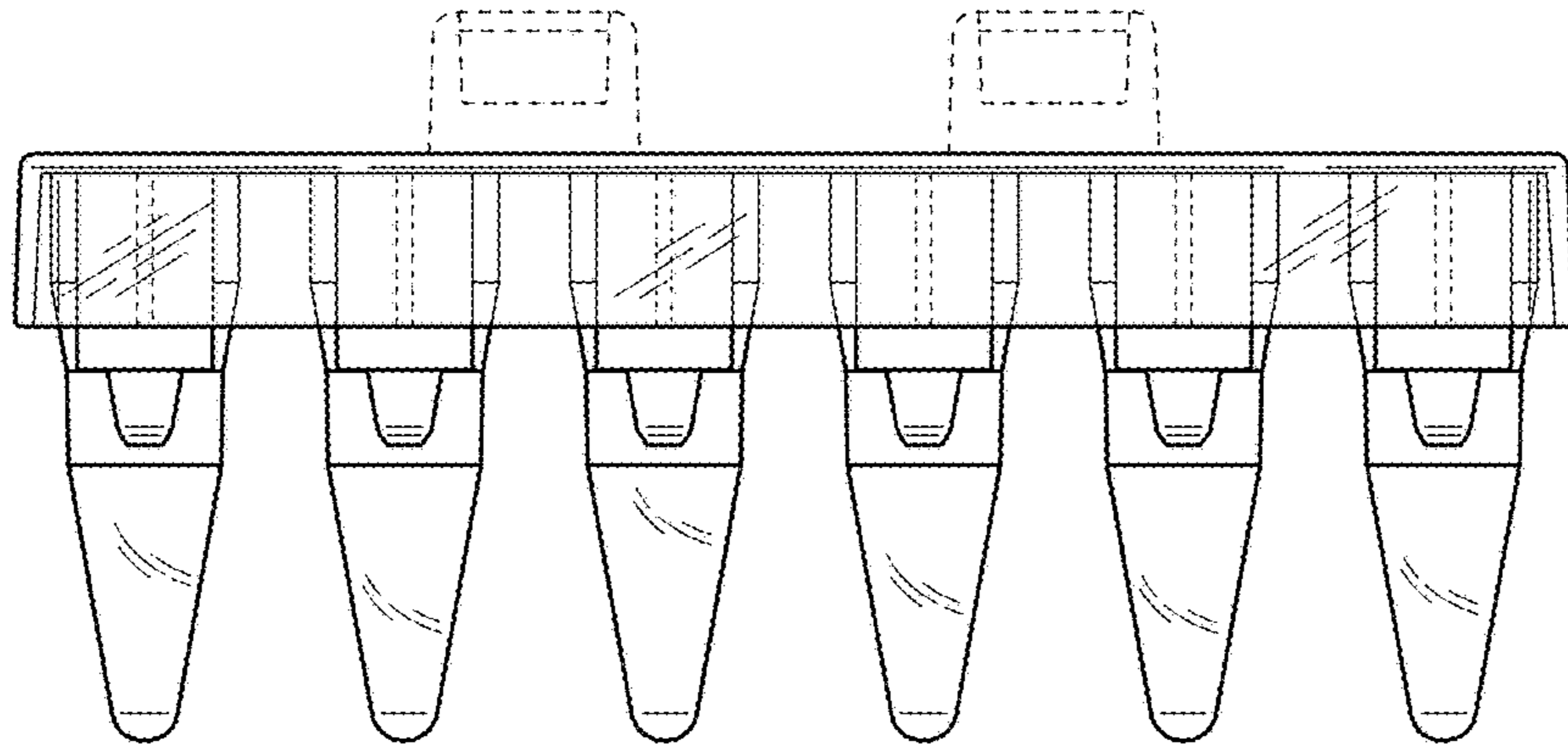


FIG. 2

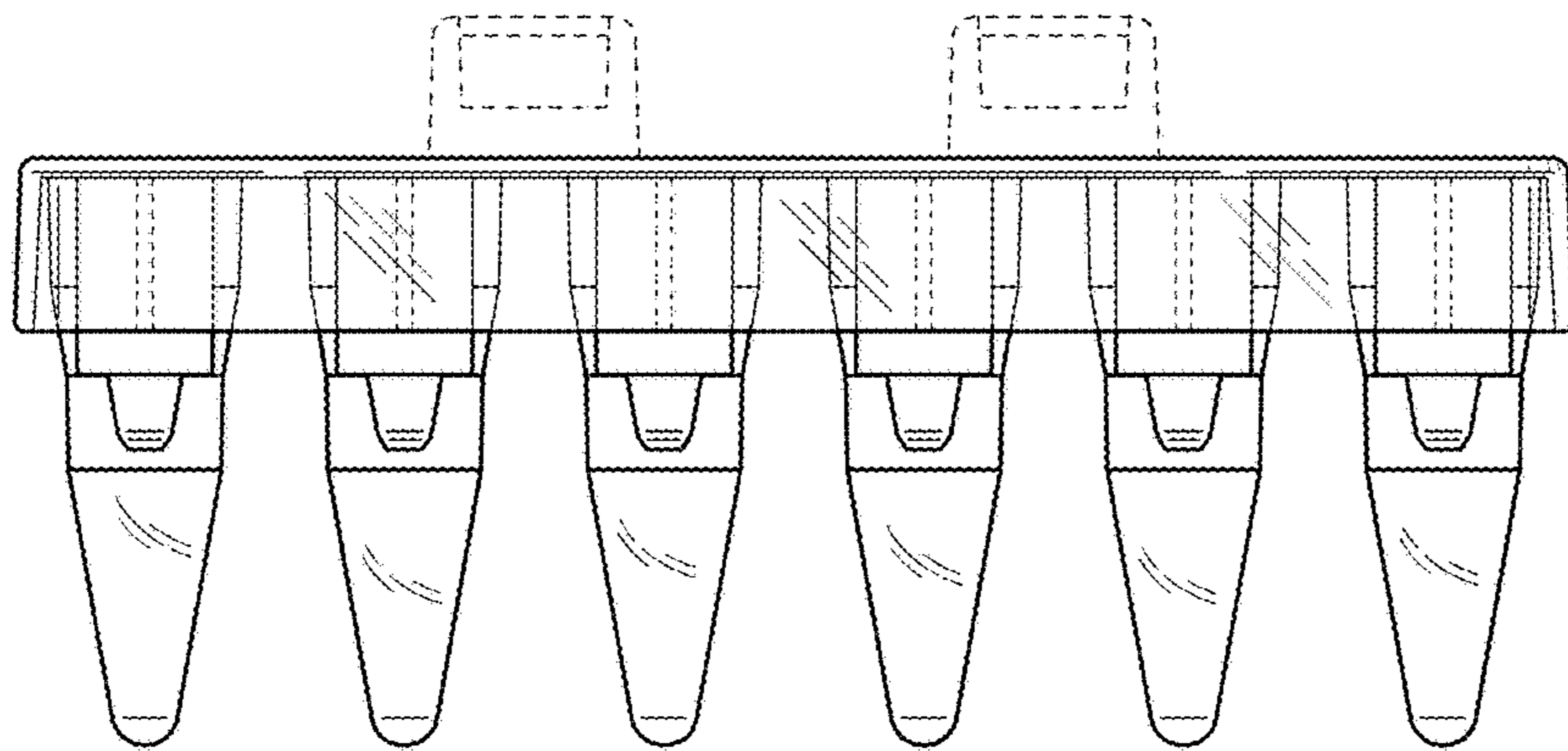


FIG. 3

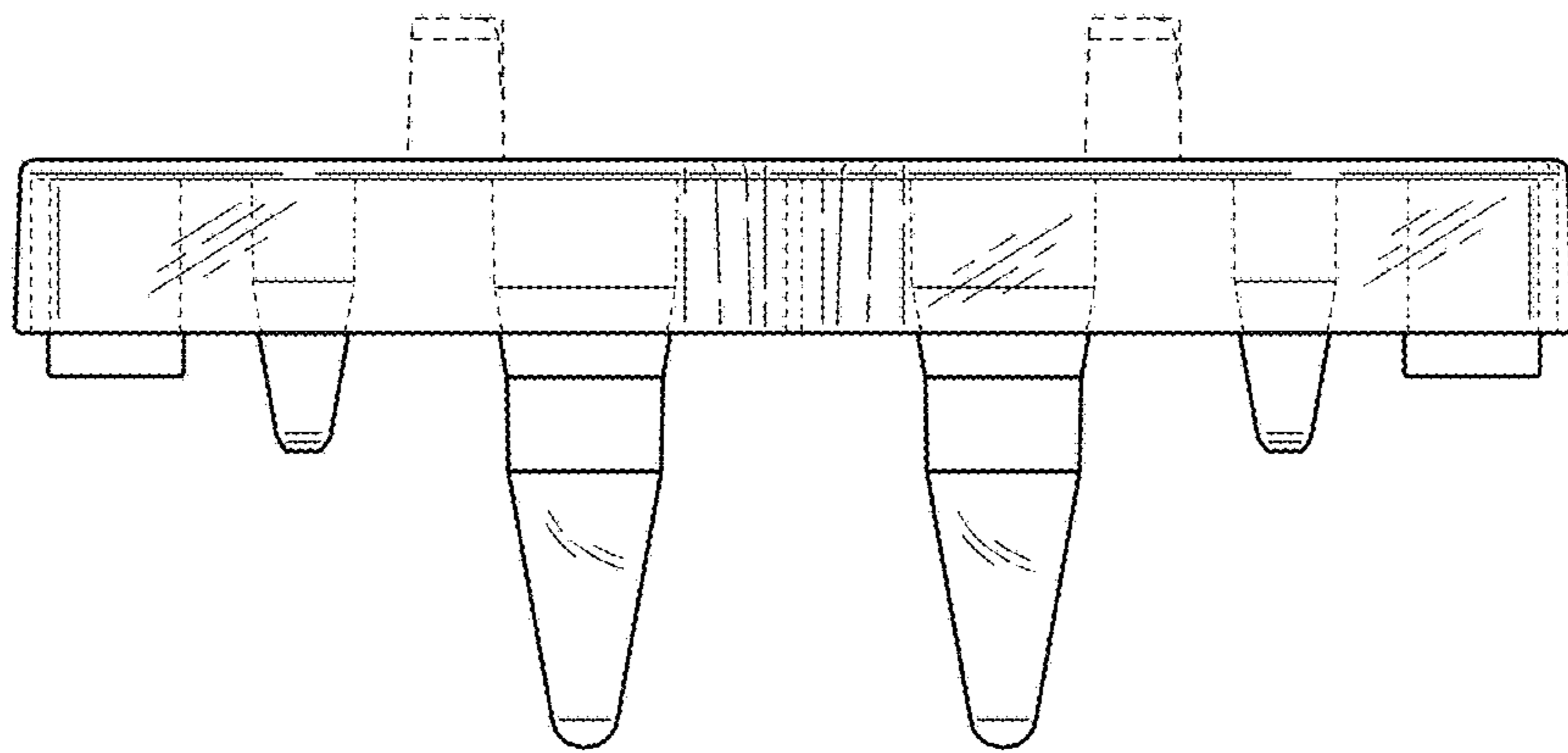


FIG. 4

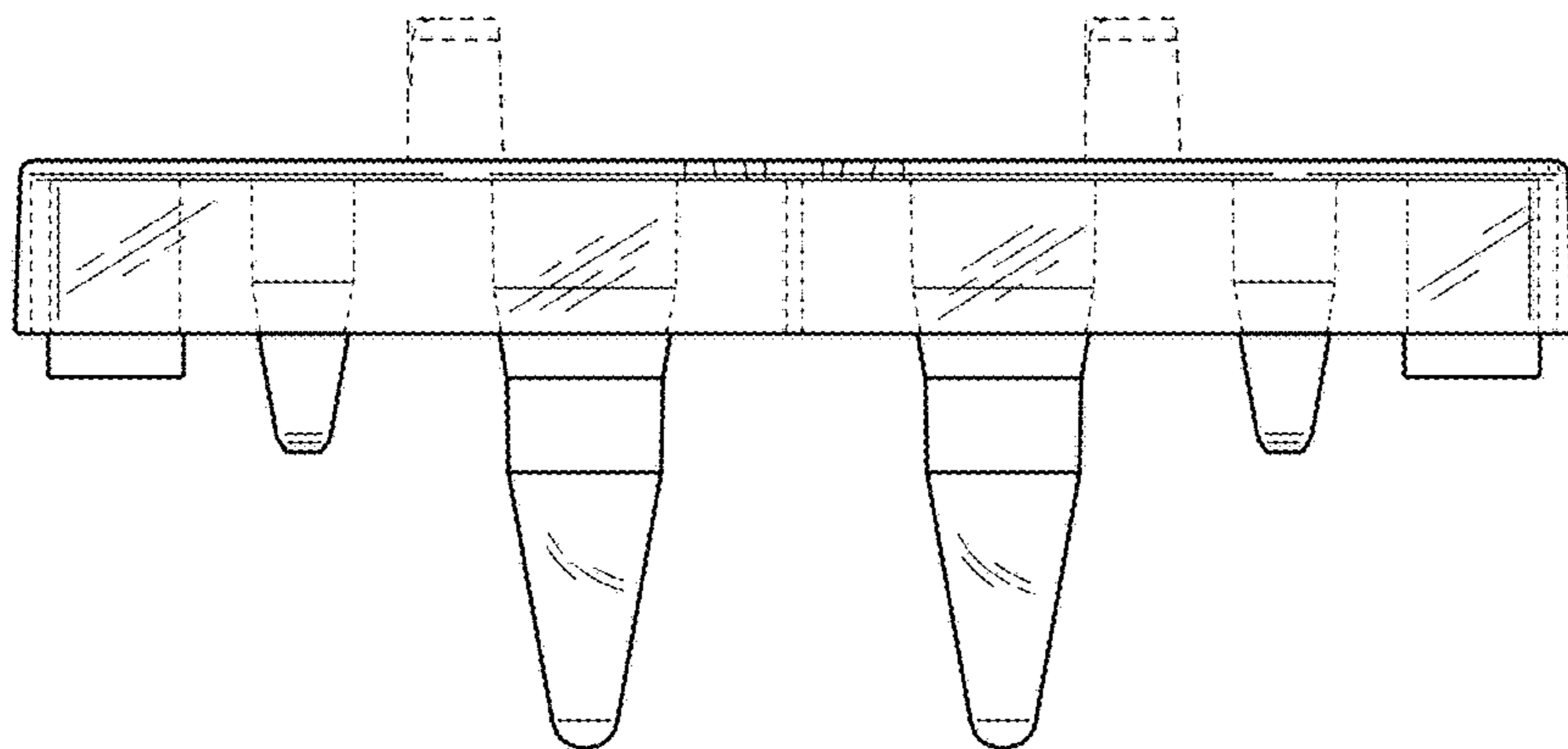


FIG. 5

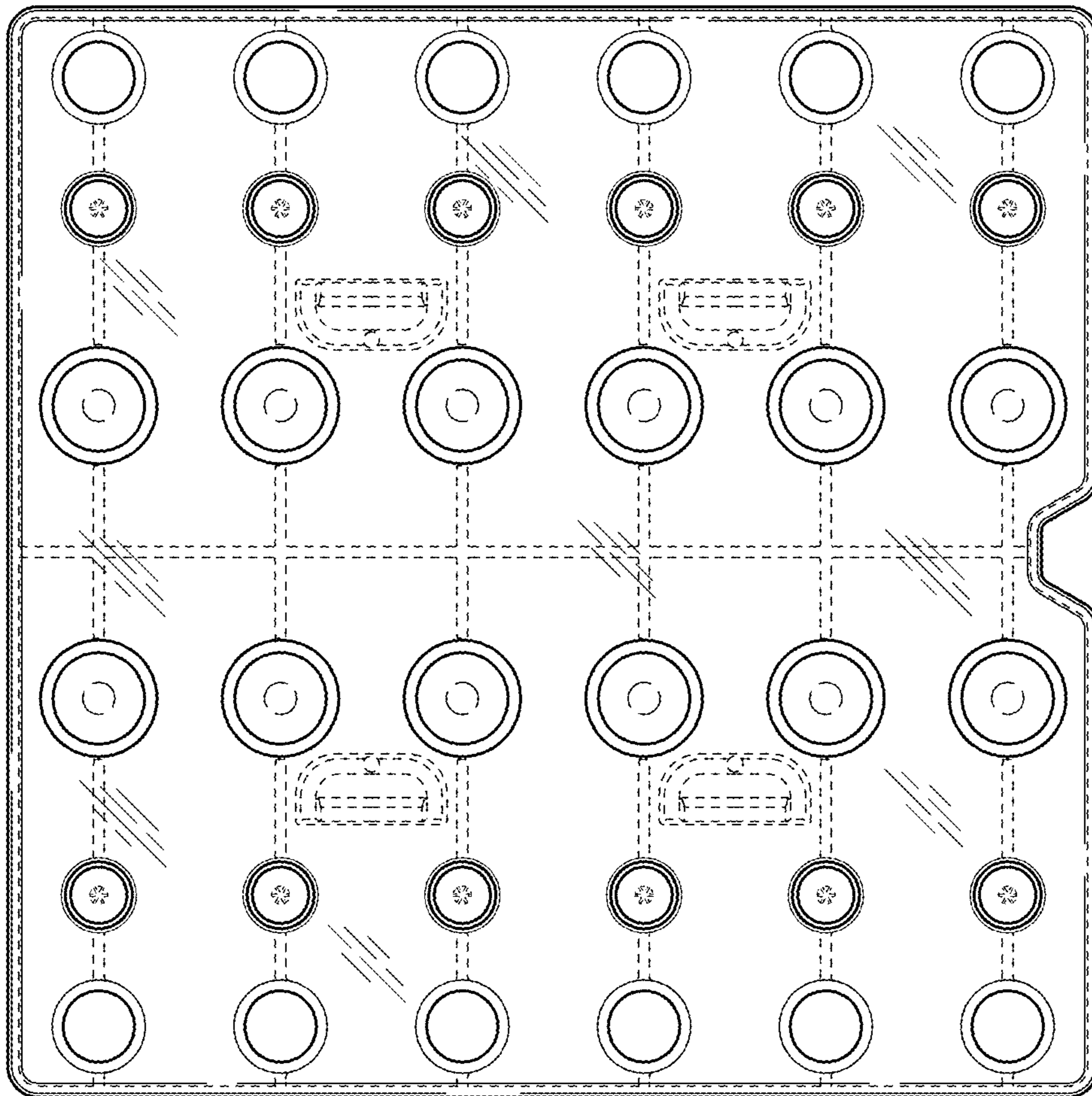


FIG. 6

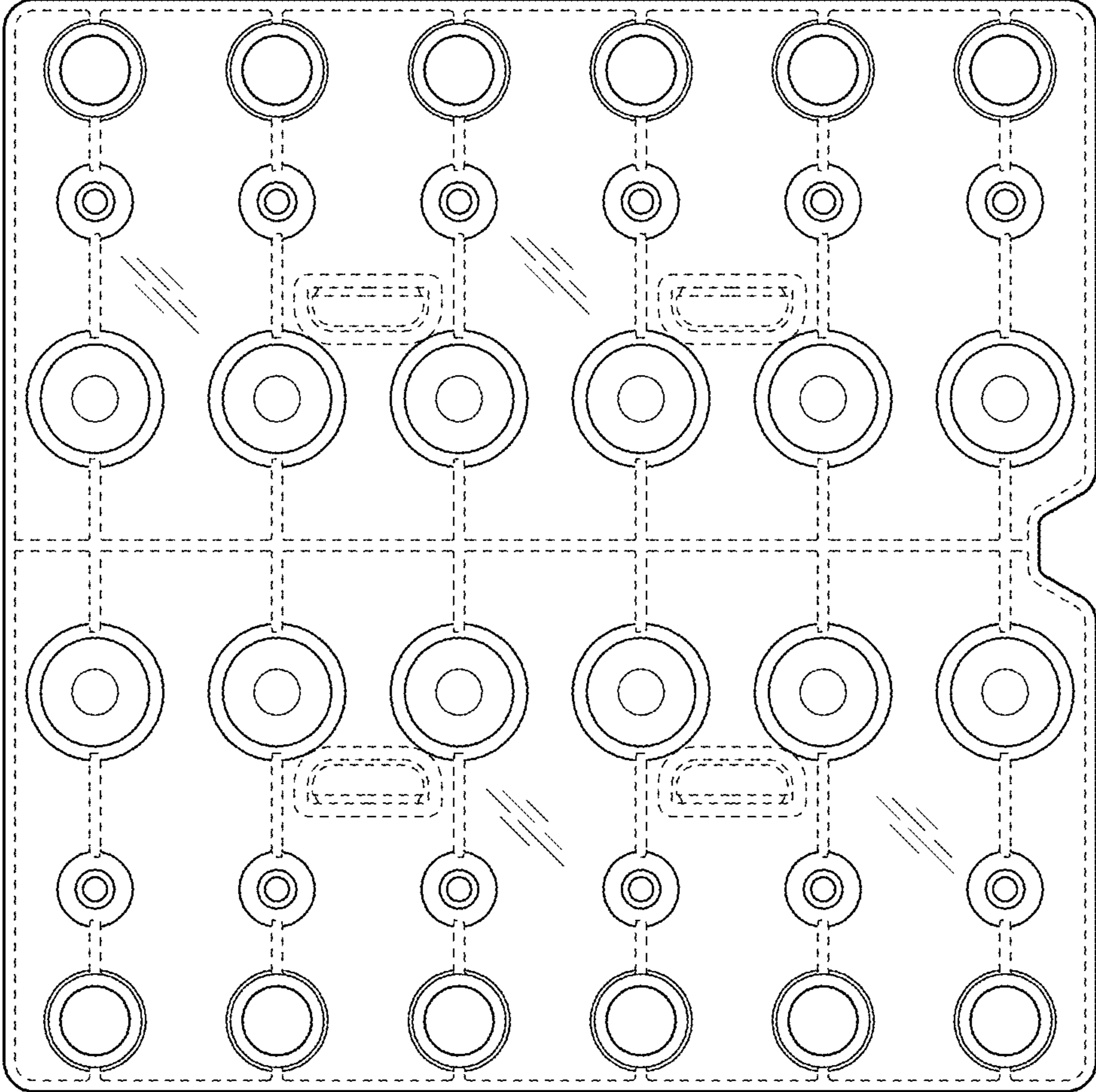


FIG. 7