



US00D827147S

(12) **United States Design Patent** (10) **Patent No.:** **US D827,147 S**  
**Jacobs** (45) **Date of Patent:** **\*\* Aug. 28, 2018**

(54) **FASCIA RELEASE TOOL**  
(71) Applicant: **Joseph Jacobs**, Mission Viejo, CA (US)  
(72) Inventor: **Joseph Jacobs**, Mission Viejo, CA (US)  
(\*\*) Term: **15 Years**  
(21) Appl. No.: **29/619,327**  
(22) Filed: **Sep. 28, 2017**  
(51) **LOC (11) Cl.** ..... **28-03**  
(52) **U.S. Cl.**  
USPC ..... **D24/214**  
(58) **Field of Classification Search**  
USPC .. 601/15, 18, 19, 27, 28-32, 46, 47, 48, 52,  
601/72, 99, 112, 113, 118, 135, 137,  
601/DIG. 12, DIG. 14, DIG. 15, DIG. 16,  
601/DIG. 17; D24/200, 211, 212, 213,  
D24/214, 215; D30/160; 600/38  
CPC ..... A61H 19/44; A61H 2007/009; A61H  
2201/0134; A61H 23/0254; A61H 7/007  
See application file for complete search history.

D676,566 S \* 2/2013 Tucker ..... D24/214  
D687,958 S \* 8/2013 Turner ..... D24/215  
D697,630 S \* 1/2014 Turner ..... D24/215  
D727,524 S \* 4/2015 Qian ..... D24/215  
D727,525 S \* 4/2015 Qian ..... D24/215  
D769,453 S \* 10/2016 Ma ..... D24/215

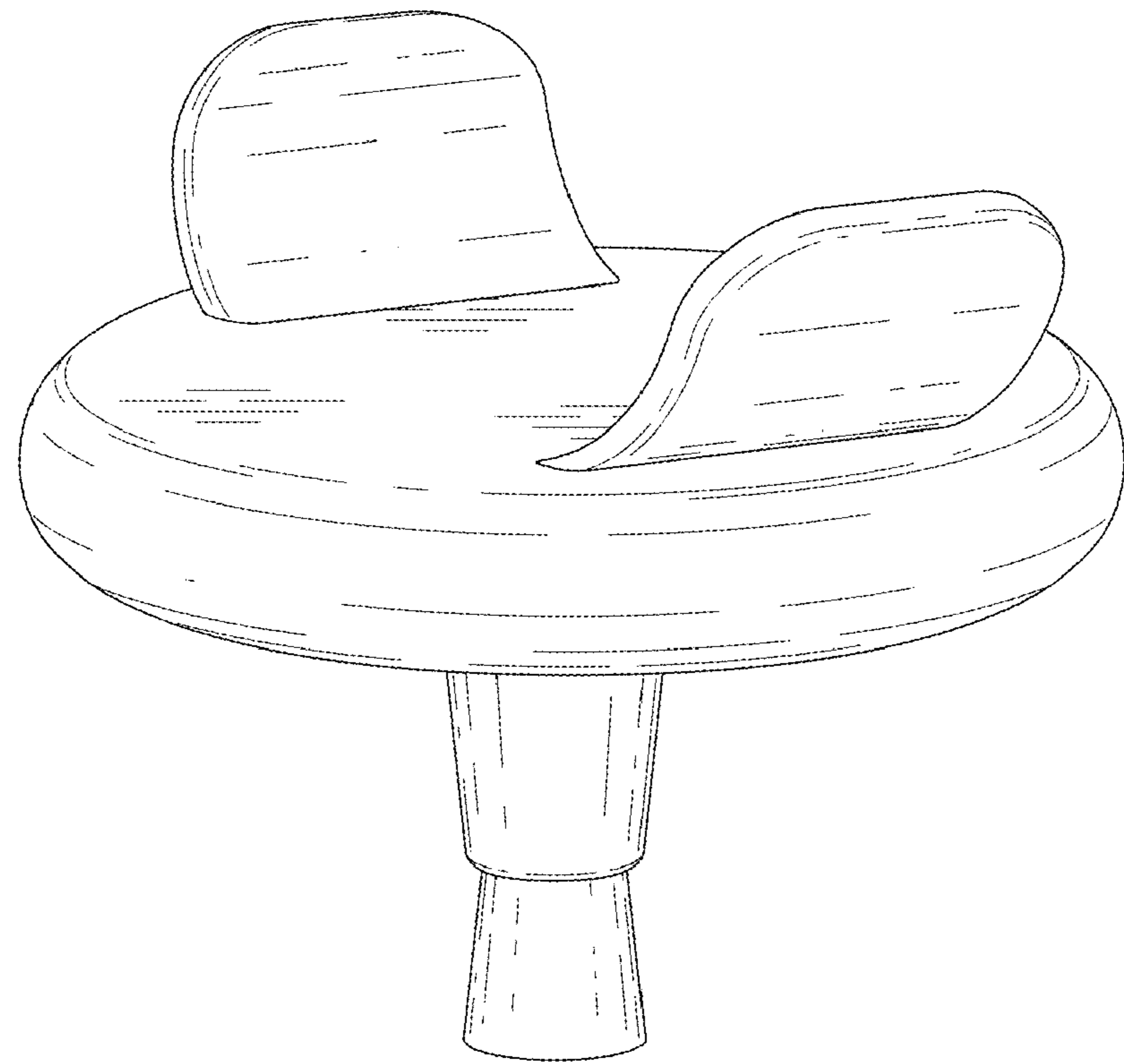
\* cited by examiner  
*Primary Examiner* — Cynthia Ramirez  
*Assistant Examiner* — Michael A Maharajh  
(74) *Attorney, Agent, or Firm* — Eric Karich; Karich & Associates

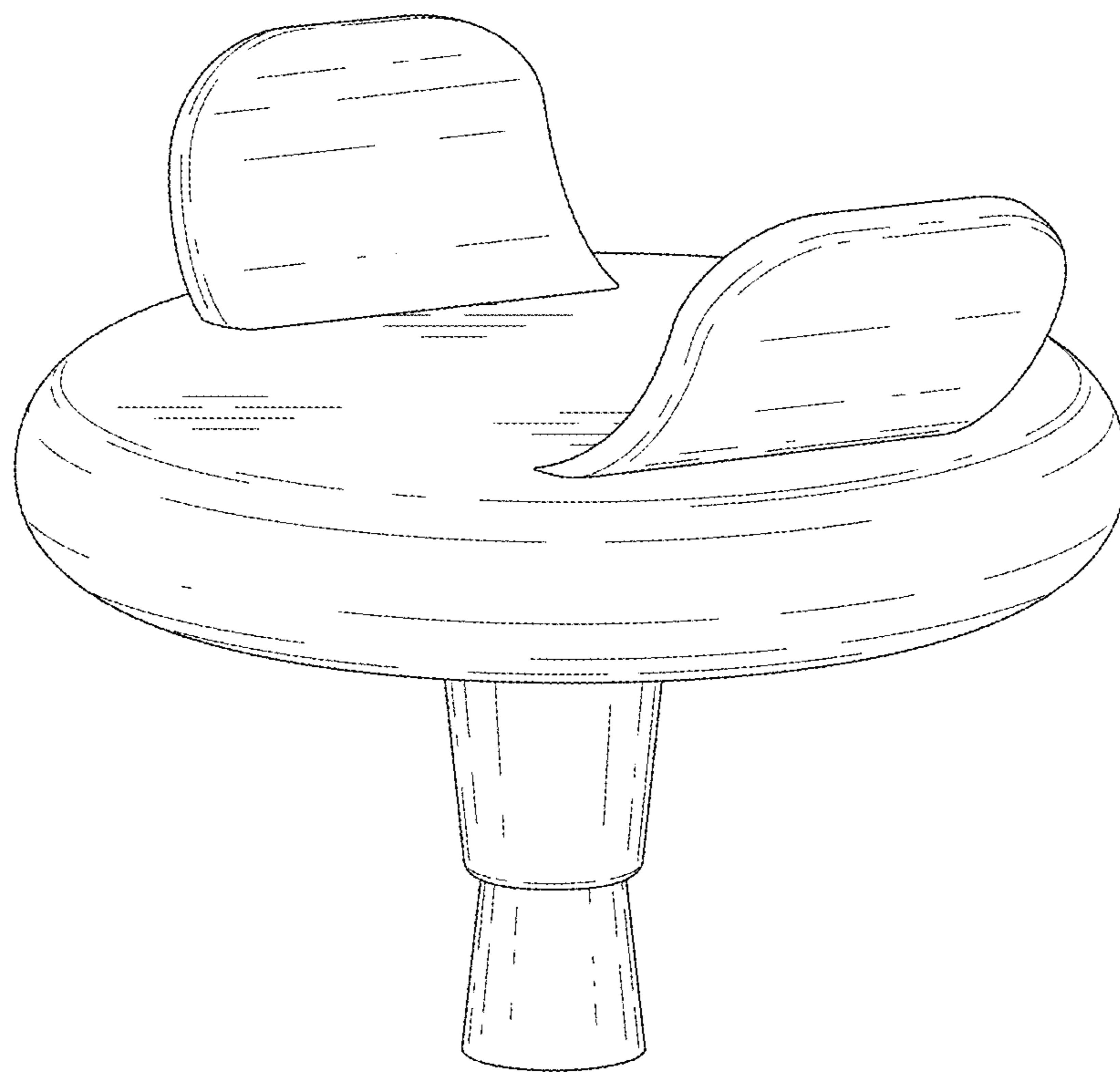
(56) **References Cited**  
U.S. PATENT DOCUMENTS  
D444,884 S \* 7/2001 Huang ..... D24/213  
D615,662 S \* 5/2010 Turner ..... D24/200

(57) **CLAIM**  
The ornamental design for a fascia release tool, as shown and described.

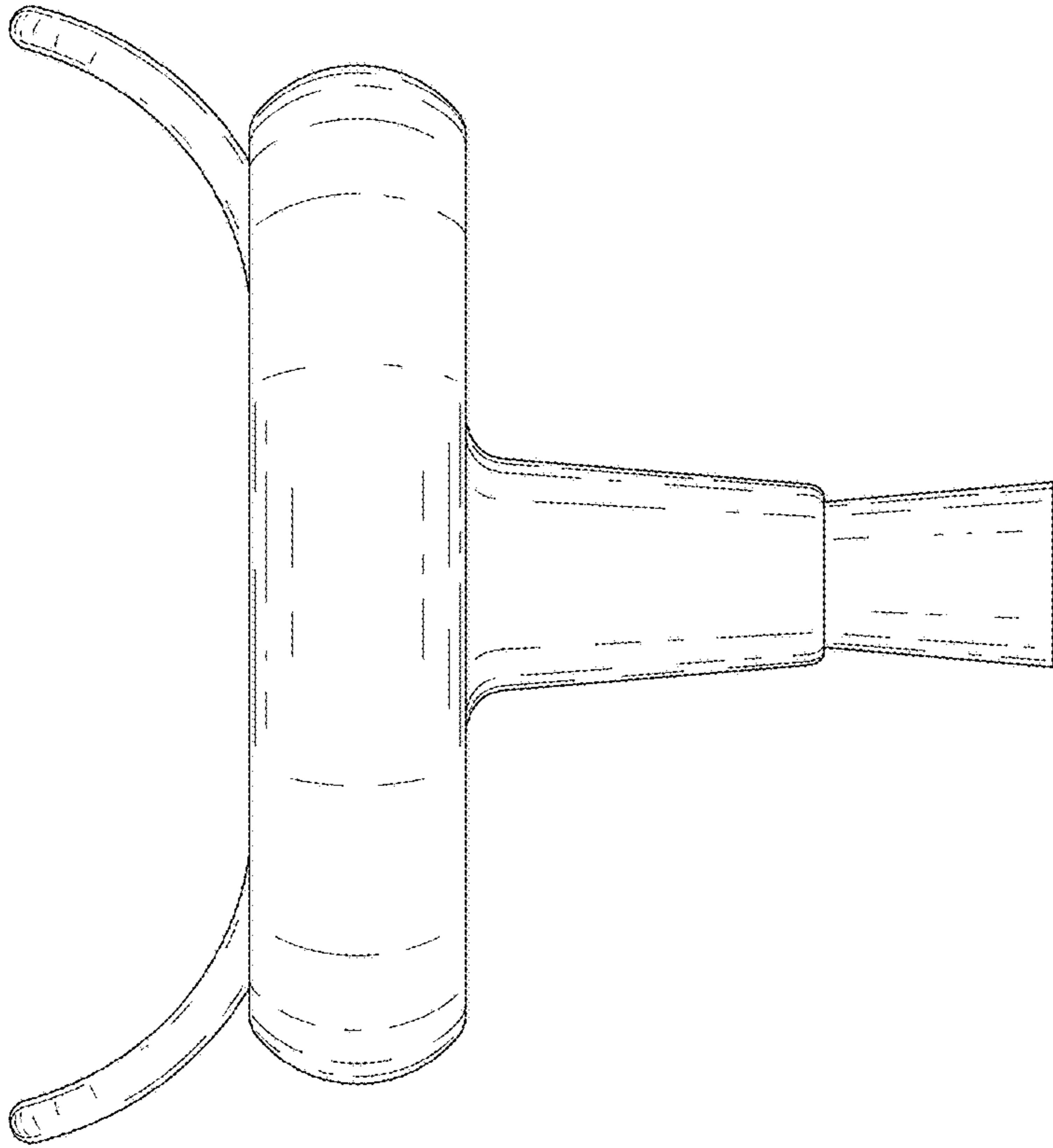
**DESCRIPTION**  
FIG. 1 is a perspective view of a fascia release tool, showing my new design;  
FIG. 2 is a front elevational view thereof;  
FIG. 3 is a rear elevational view thereof;  
FIG. 4 is a left side elevational view thereof  
FIG. 5 is a right side elevational view thereof;  
FIG. 6 is a top plan view thereof; and,  
FIG. 7 is a bottom plan view thereof.

**1 Claim, 4 Drawing Sheets**

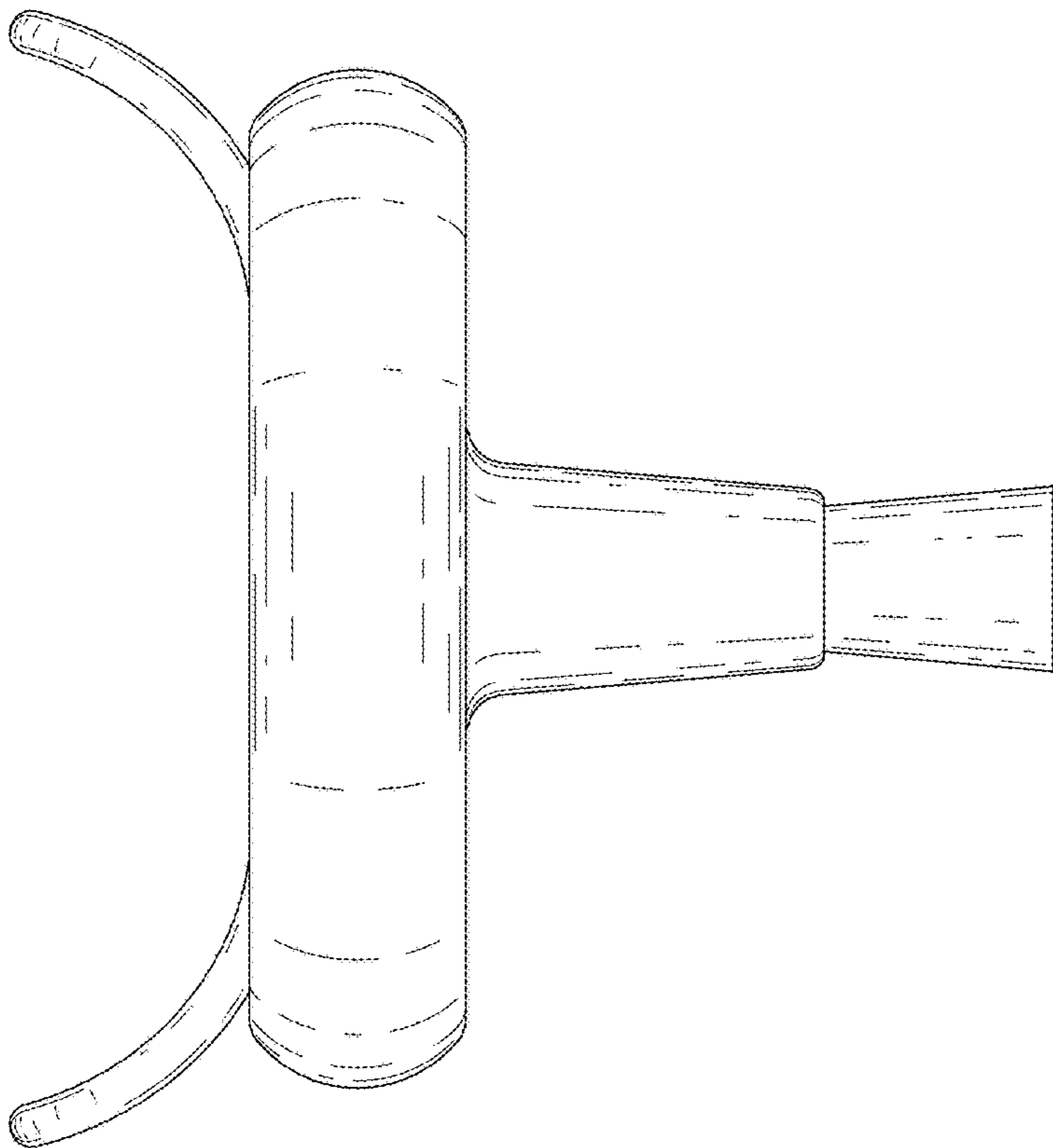




*Fig. 1*



*Fig. 3*



*Fig. 2*

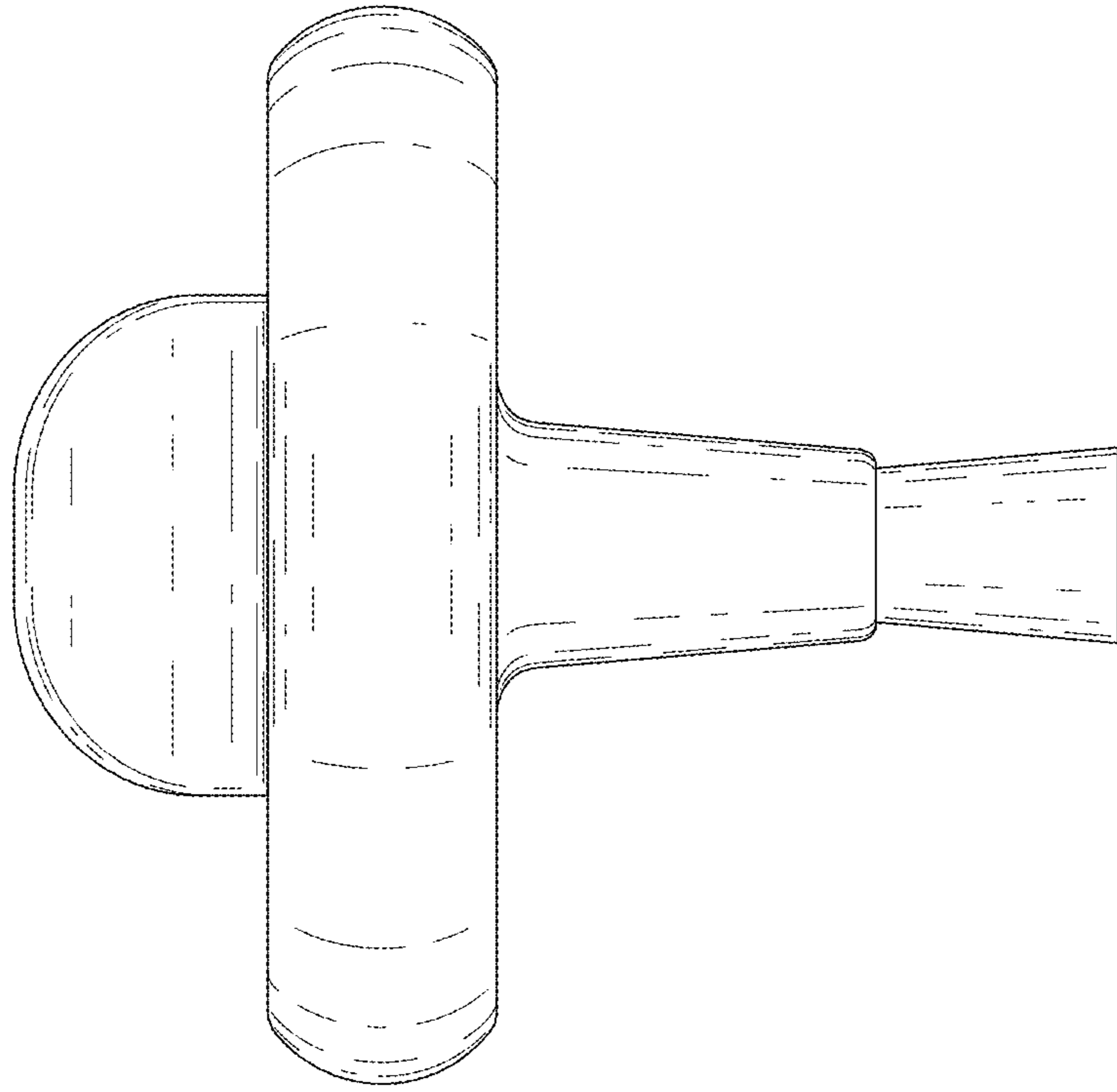


Fig. 5

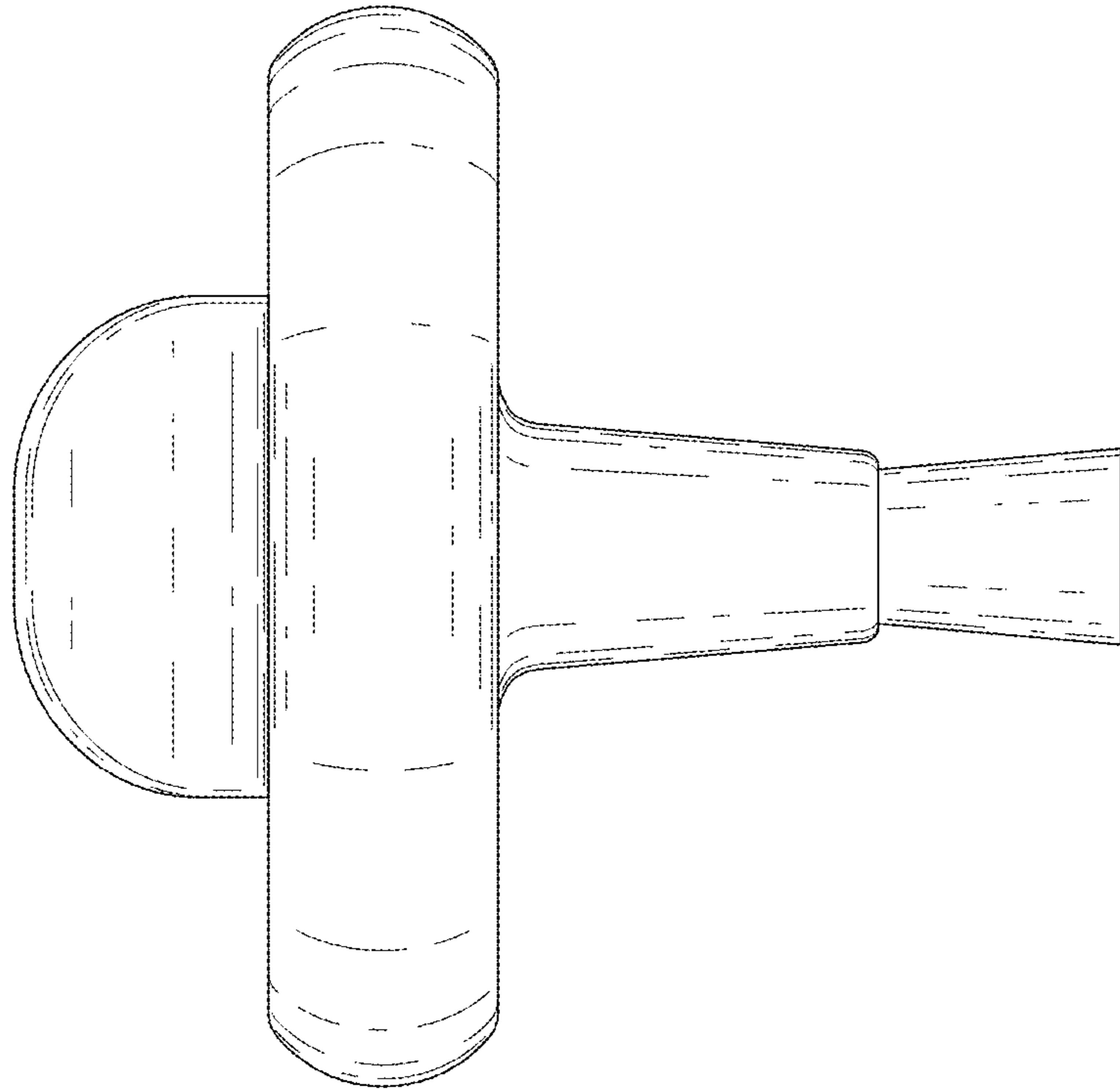
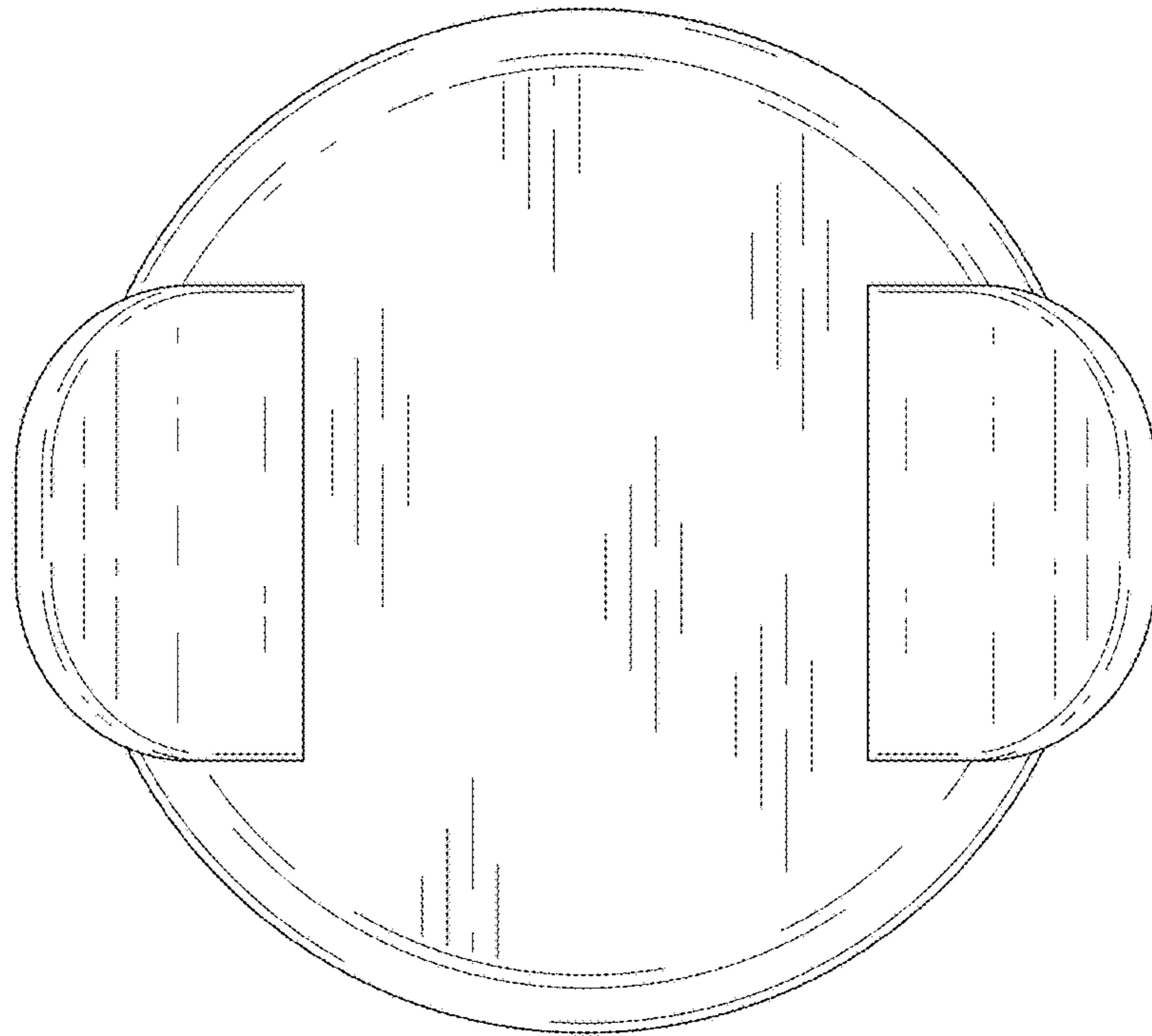
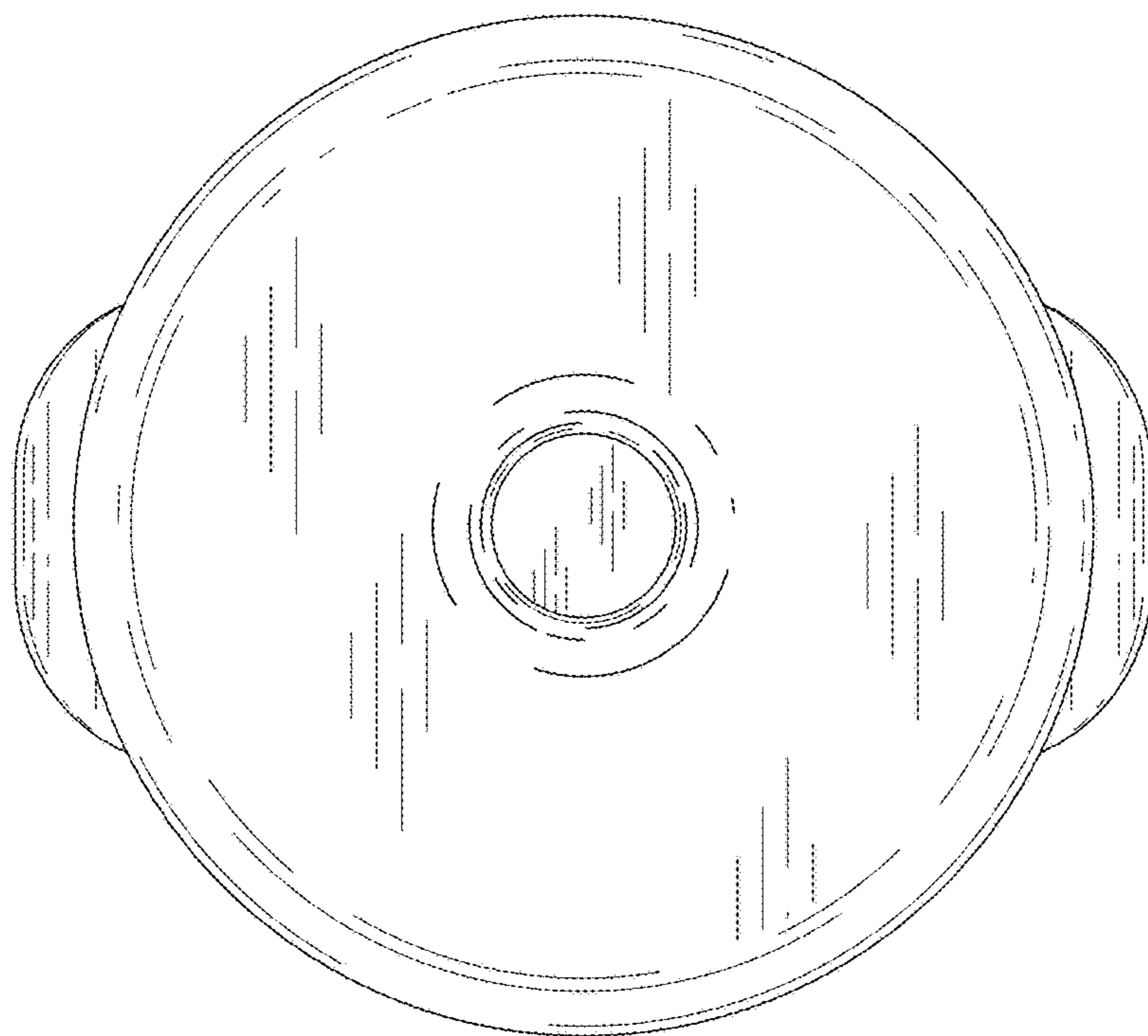


Fig. 4



*Fig. 6*



*Fig. 7*