



US00D827141S

(12) **United States Design Patent** (10) **Patent No.:** **US D827,141 S**  
**Pichette** (45) **Date of Patent:** **\*\* Aug. 28, 2018**

(54) **ORTHOPEdic POST PAD**

(71) Applicant: **Timothy Kelley Pichette**, Nashville, TN (US)

(72) Inventor: **Timothy Kelley Pichette**, Nashville, TN (US)

(\*\*) Term: **15 Years**

(21) Appl. No.: **29/599,399**

(22) Filed: **Apr. 3, 2017**

(51) **LOC (11) Cl.** ..... **24-04**

(52) **U.S. Cl.**  
USPC ..... **D24/184**

(58) **Field of Classification Search**  
USPC ..... D24/183, 184, 190, 191, 192;  
D29/101.3, 120.1, 121.1, 121.2, 122;  
D6/382, 383, 384, 406.1-406.6, 596, 601,  
D6/604, 610, 611, 710, 712, 716.2, 716.4,  
D6/716.6, 718, 718.3; D2/720, 826, 860,  
D2/861

CPC ..... A61G 1/003-1/013; A61G 1/04-1/052;  
A61G 7/1036; A61G 7/1053-7/1057;  
A61G 13/00; A47C 20/021-20/027; A47C  
7/18; A47C 7/50

See application file for complete search history.

(56) **References Cited**

**U.S. PATENT DOCUMENTS**

- D456,516 S \* 4/2002 Chshaek ..... 5/638
- D469,541 S \* 1/2003 Cheatham ..... D24/191
- 7,100,641 B2 \* 9/2006 Tyrer ..... F16L 1/123  
138/110
- D641,859 S \* 7/2011 van Walraven ..... D23/393
- D675,881 S \* 2/2013 Wamack, Jr. .... D7/608
- D743,557 S \* 11/2015 Pichette ..... D24/184
- D769,079 S \* 10/2016 Kotani ..... D7/608
- D815,460 S \* 4/2018 Beyda ..... D6/601

- 2009/0151076 A1\* 6/2009 Cararra ..... A47G 9/10  
5/636
- 2010/0043147 A1\* 2/2010 Popp ..... A47D 13/083  
5/636
- 2010/0275378 A1\* 11/2010 Xiao ..... A47G 9/1045  
5/639

**OTHER PUBLICATIONS**

OR Specialty Products American Surgical Specialties Company.  
[online] Retrieved Jun. 11, 2018 from URL:<http://www.americansurg.com/or-specialty-products.html>.\*

Carson Perineal Post Pad—Patient Positioning Solutions, Inc.  
[online] Retrieved Jun. 11, 2018 from URL: <https://pps-products.com/orthopedic-surgery-disposables/carson-perineal-post-pad/>.\*

\* cited by examiner

*Primary Examiner* — Vy N Koenig

(74) *Attorney, Agent, or Firm* — Michael A. Blake

(57) **CLAIM**

The ornamental design for an orthopedic post pad, as shown and described.

**DESCRIPTION**

FIG. 1 is a perspective view of an orthopedic post pad showing my new design;

FIG. 2 is a front elevation view of the orthopedic post pad;

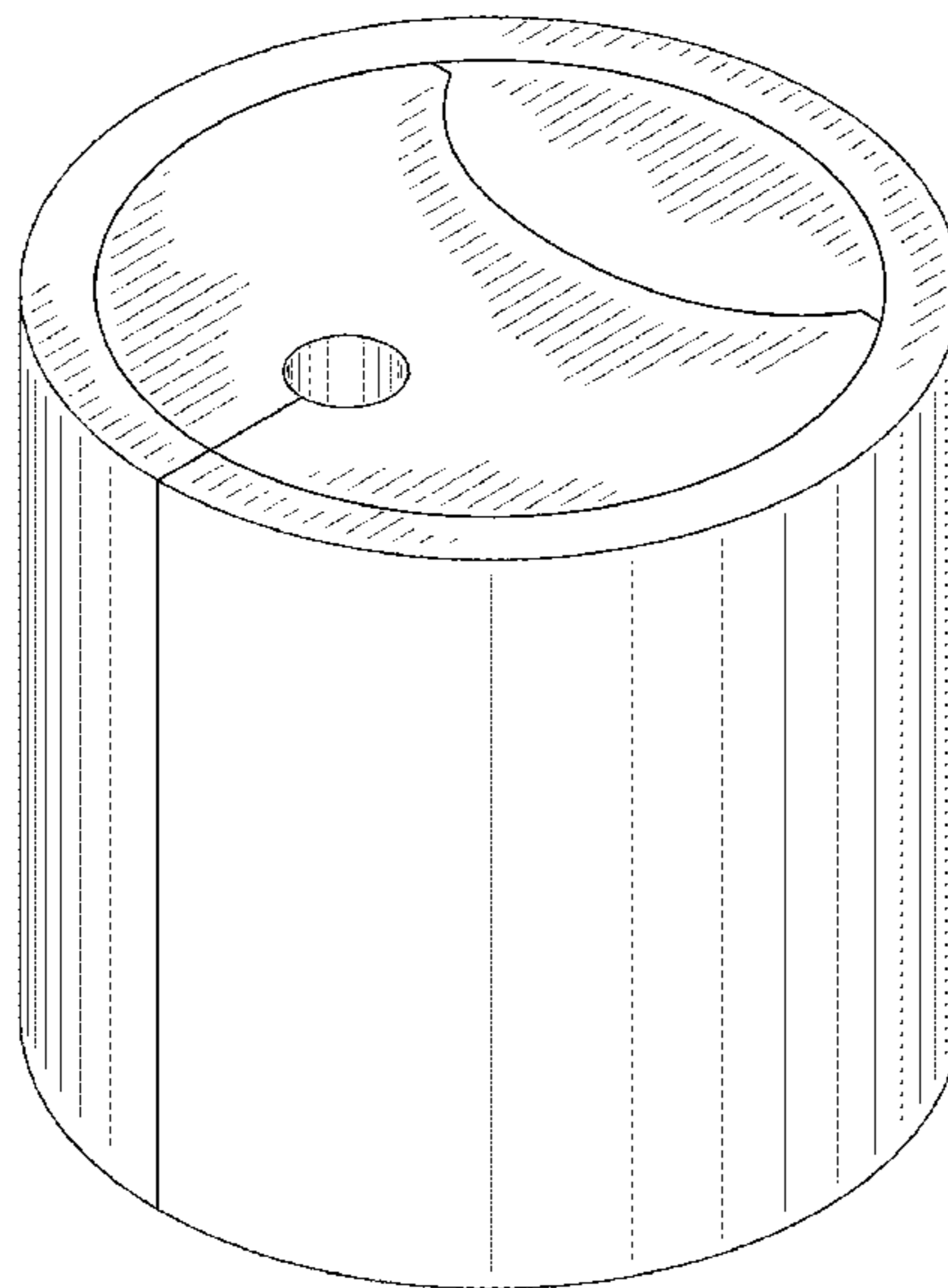
FIG. 3 is a rear elevation view of the orthopedic post pad;

FIG. 4 is a top view of the orthopedic post pad; and,

FIG. 5 is a perspective view of the orthopedic post pad in a configuration of use, inserted between the legs of a patient about to have an arthroscopic procedure.

The broken lines in FIG. 5 represent environmental subject matter, specifically the patient and distraction and positioning system in a configuration of use, and form no part of the claimed design.

**1 Claim, 5 Drawing Sheets**



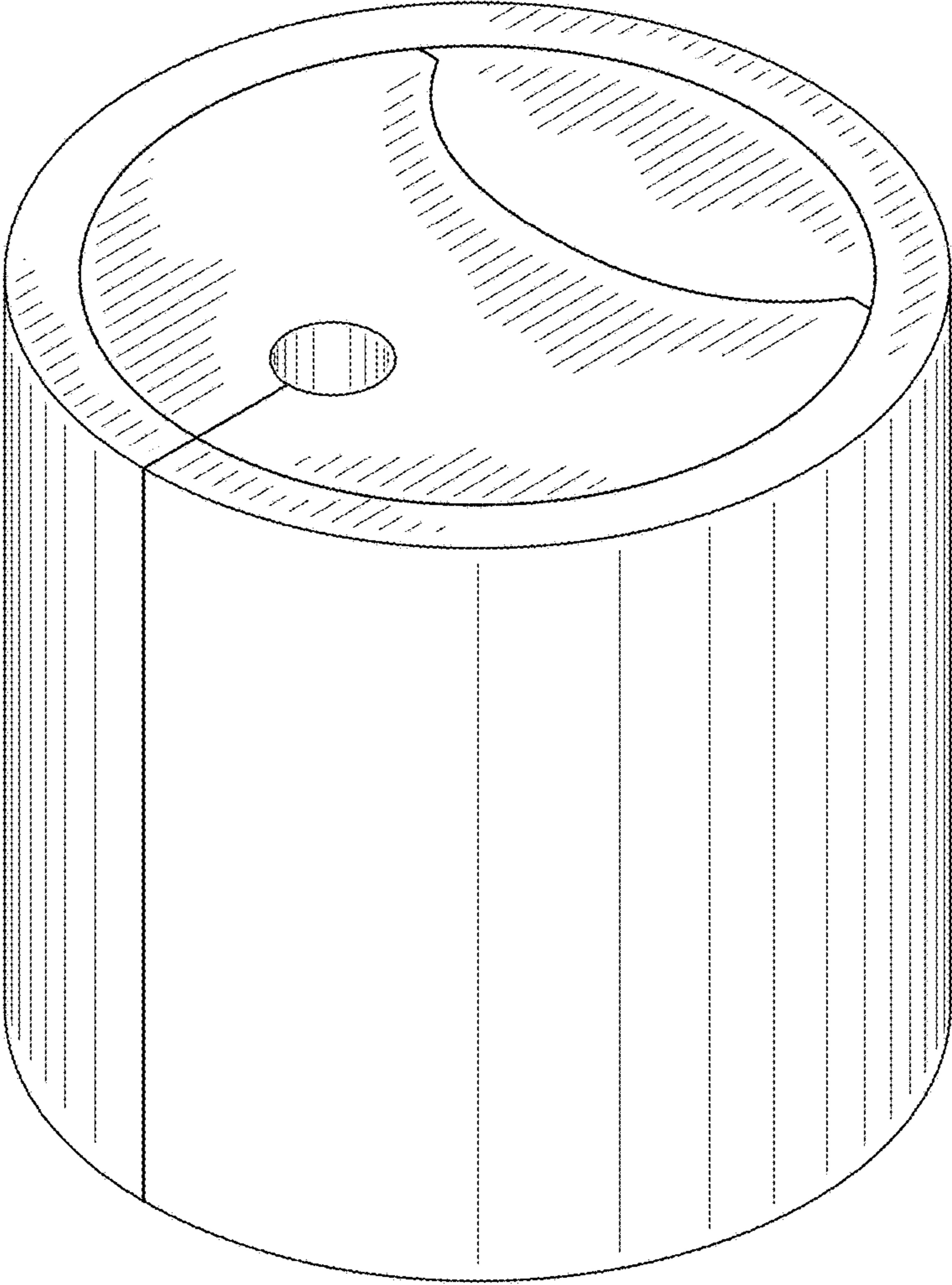


FIG. 1

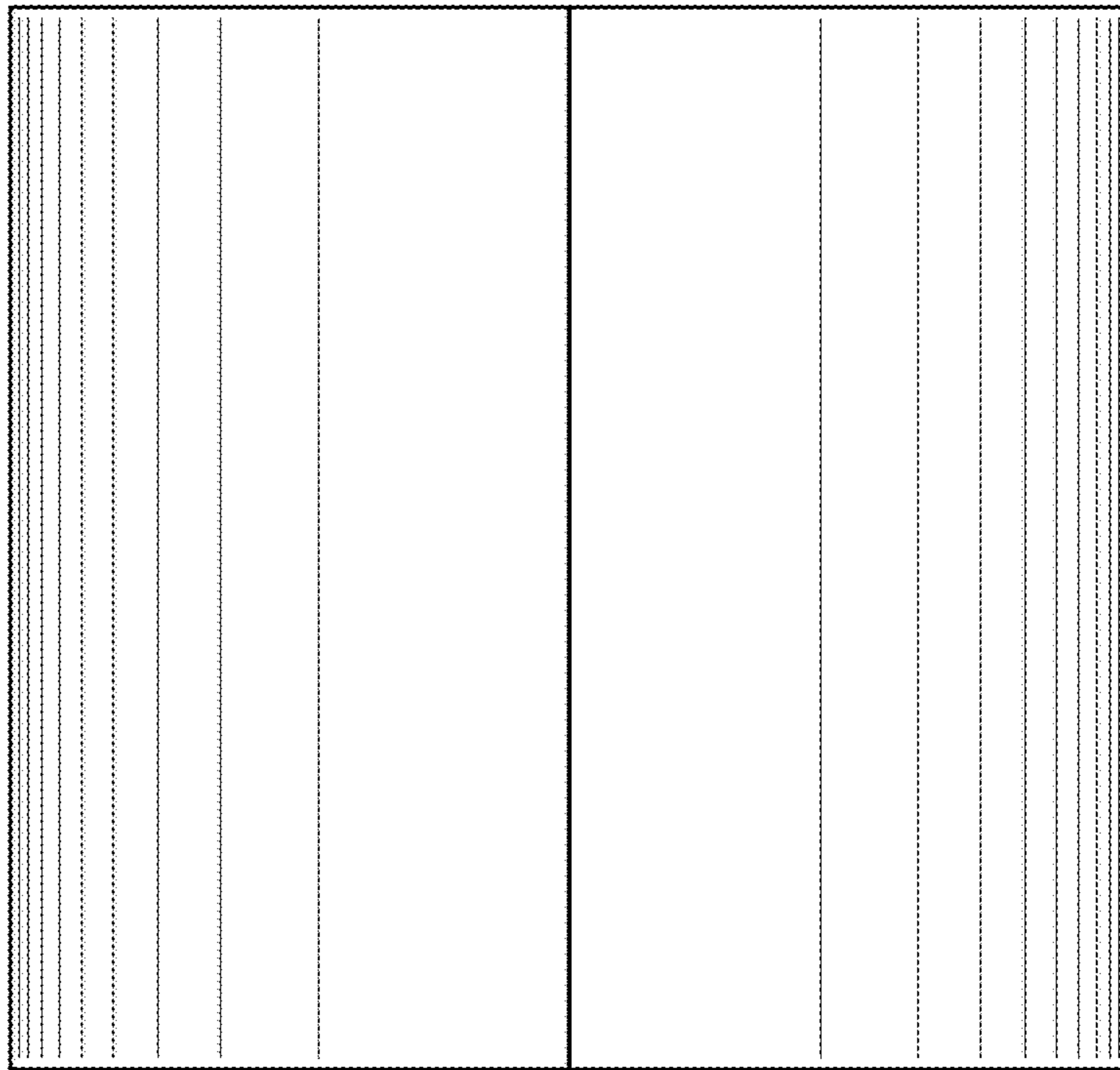


FIG. 2

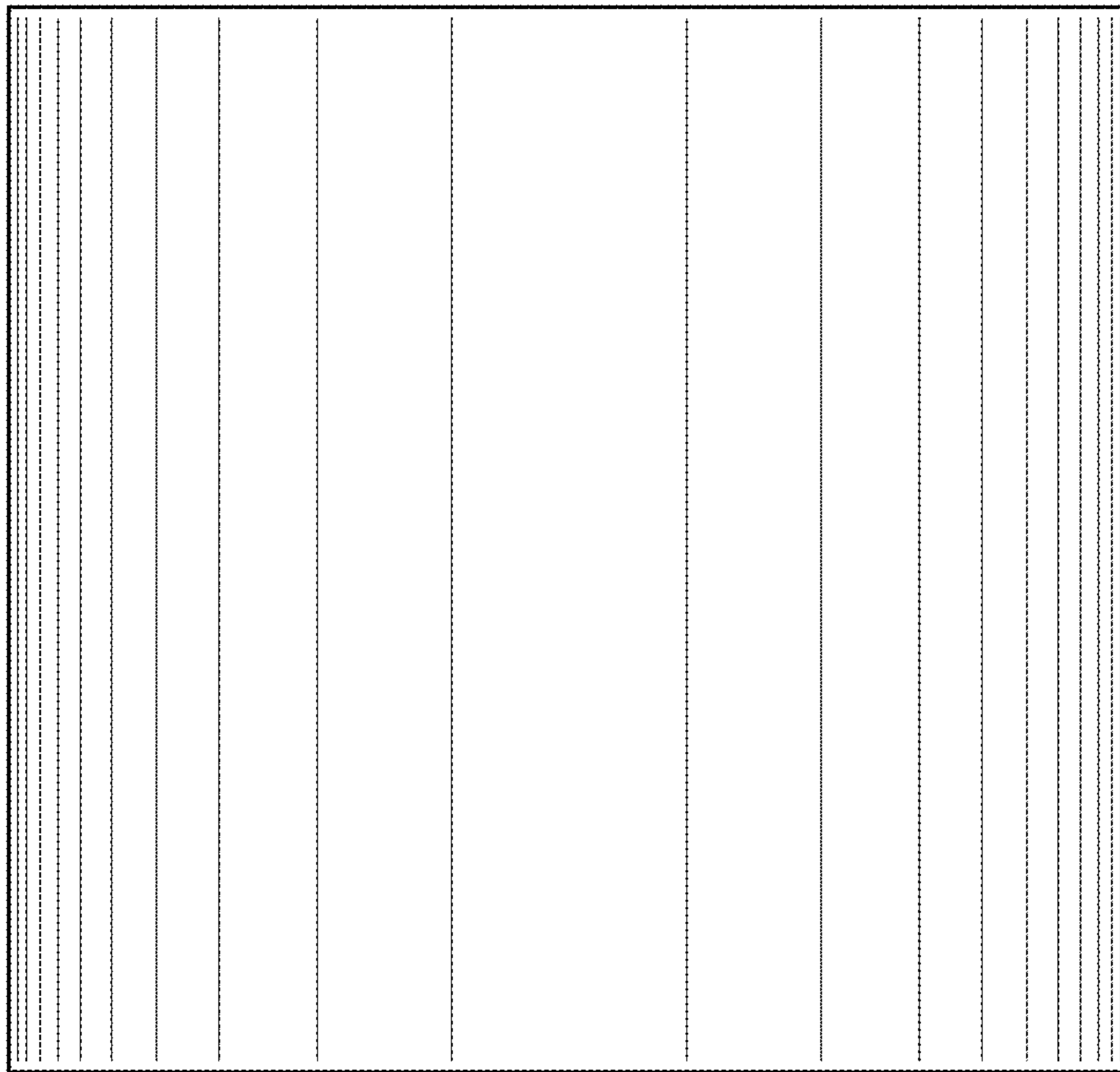


FIG. 3

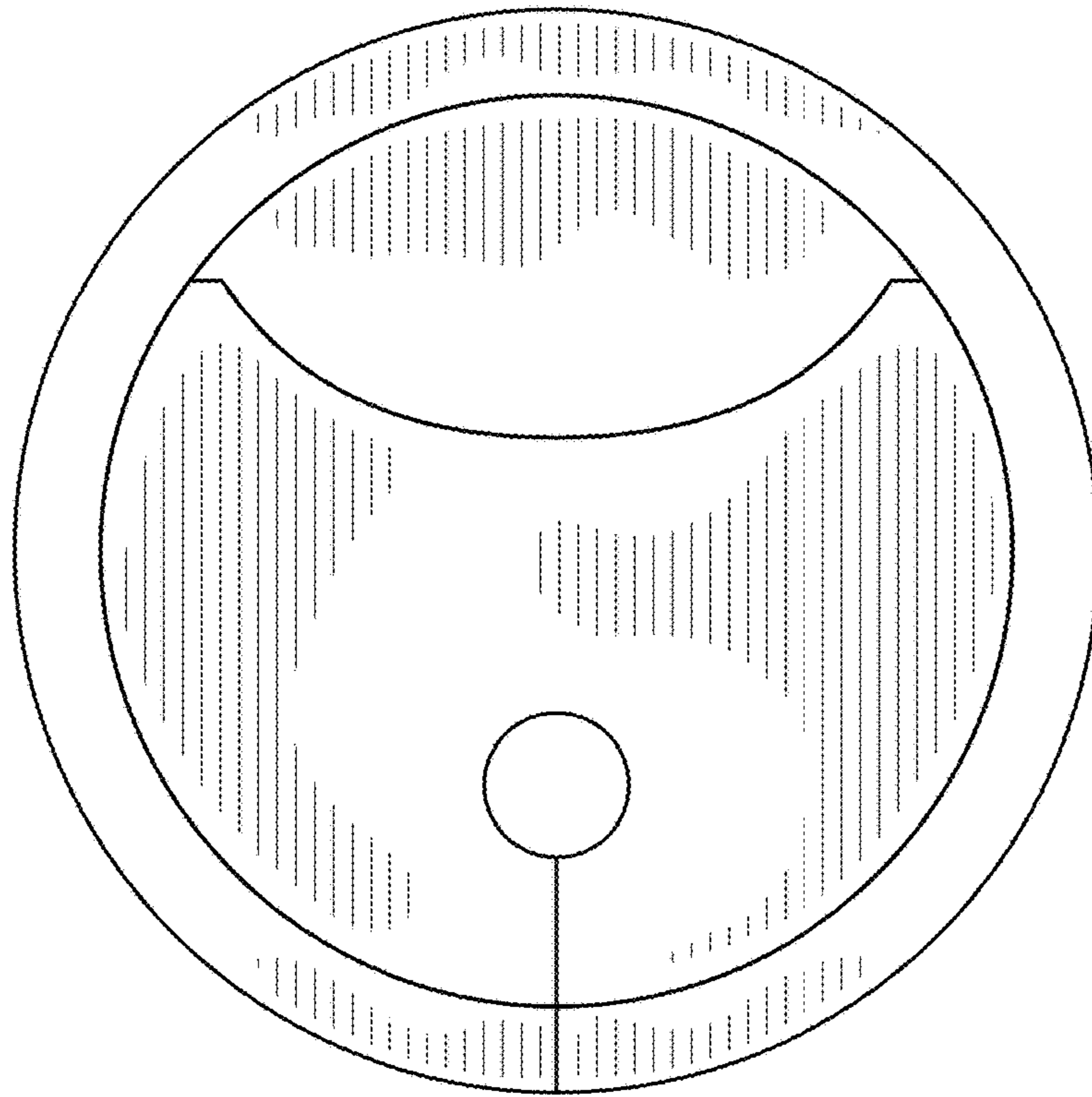


FIG. 4

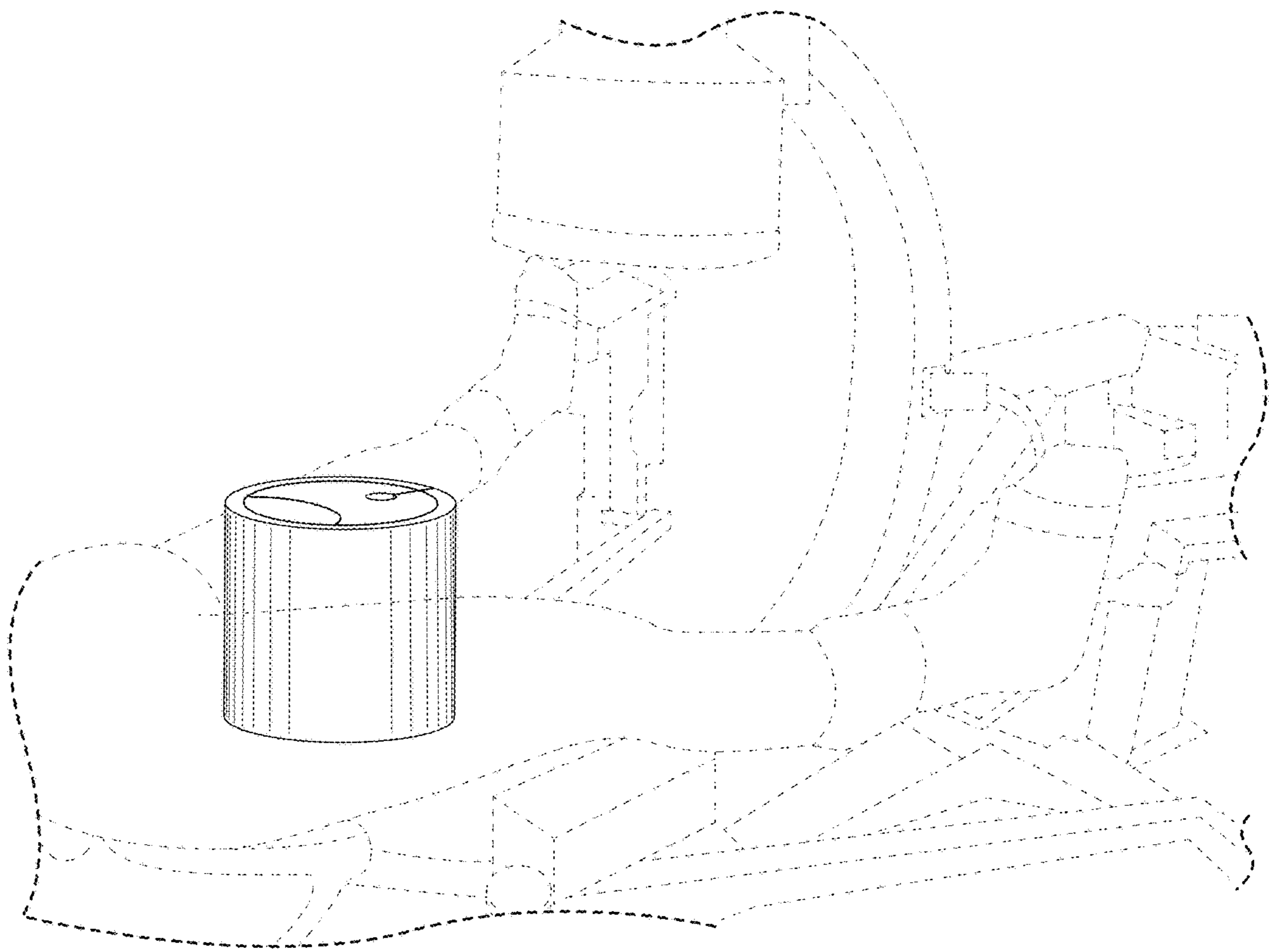


FIG. 5