



US00D827140S

(12) **United States Design Patent** (10) **Patent No.:** **US D827,140 S**  
**Caesar** (45) **Date of Patent:** **\*\* Aug. 28, 2018**

(54) **AIR HOSE NOZZLE FOR DENTAL MIRROR**

(71) Applicant: **AERIAL SOLUTIONS, LLC**,  
Universal City, TX (US)

(72) Inventor: **Robert Raymond Caesar**, Universal  
City, TX (US)

(73) Assignee: **AERIAL SOLUTIONS, LLC**,  
Universal City, TX (US)

(\*\*) Term: **15 Years**

(21) Appl. No.: **29/612,113**

(22) Filed: **Jul. 28, 2017**

(51) **LOC (11) Cl.** ..... **24-02**

(52) **U.S. Cl.**  
USPC ..... **D24/176; D24/139**

(58) **Field of Classification Search**  
USPC ..... D24/133, 139, 147, 152, 176-177, 112;  
433/29-31, 114, 141, 146-147  
CPC ..... A61B 1/247; A61B 1/12; A61B 1/126;  
A61B 1/24; A61B 1/253; A61C 1/0061;  
A61C 1/052; A61C 1/088; A61C 17/02;  
A61C 17/0202; A61C 17/022  
See application file for complete search history.

(56) **References Cited**

**U.S. PATENT DOCUMENTS**

D49,646 S \* 9/1916 Gayle ..... D24/139  
1,905,633 A \* 4/1933 Feltham ..... A61B 1/253  
359/509  
2,393,319 A \* 1/1946 Freedman ..... A61B 1/247  
362/804  
D218,311 S \* 8/1970 Foster ..... D24/139  
3,986,266 A \* 10/1976 Vellender ..... A61B 1/253  
433/30

D259,952 S \* 7/1981 Hukuba ..... D24/139  
5,230,622 A \* 7/1993 Brossoit ..... A61B 1/247  
433/30  
5,348,470 A \* 9/1994 McGowan ..... A61B 1/247  
433/29  
D368,963 S \* 4/1996 Gomes ..... D24/176  
2004/0023184 A1 \* 2/2004 de Josselin  
de Jong .....  
A61B 1/247  
433/30  
2005/0282103 A1 \* 12/2005 Kwong ..... A61B 1/247  
433/31  
2008/0193894 A1 \* 8/2008 Wu ..... A61B 1/247  
433/30

\* cited by examiner

*Primary Examiner* — Wan Laymon

(74) *Attorney, Agent, or Firm* — Vista IP Law Group LLP

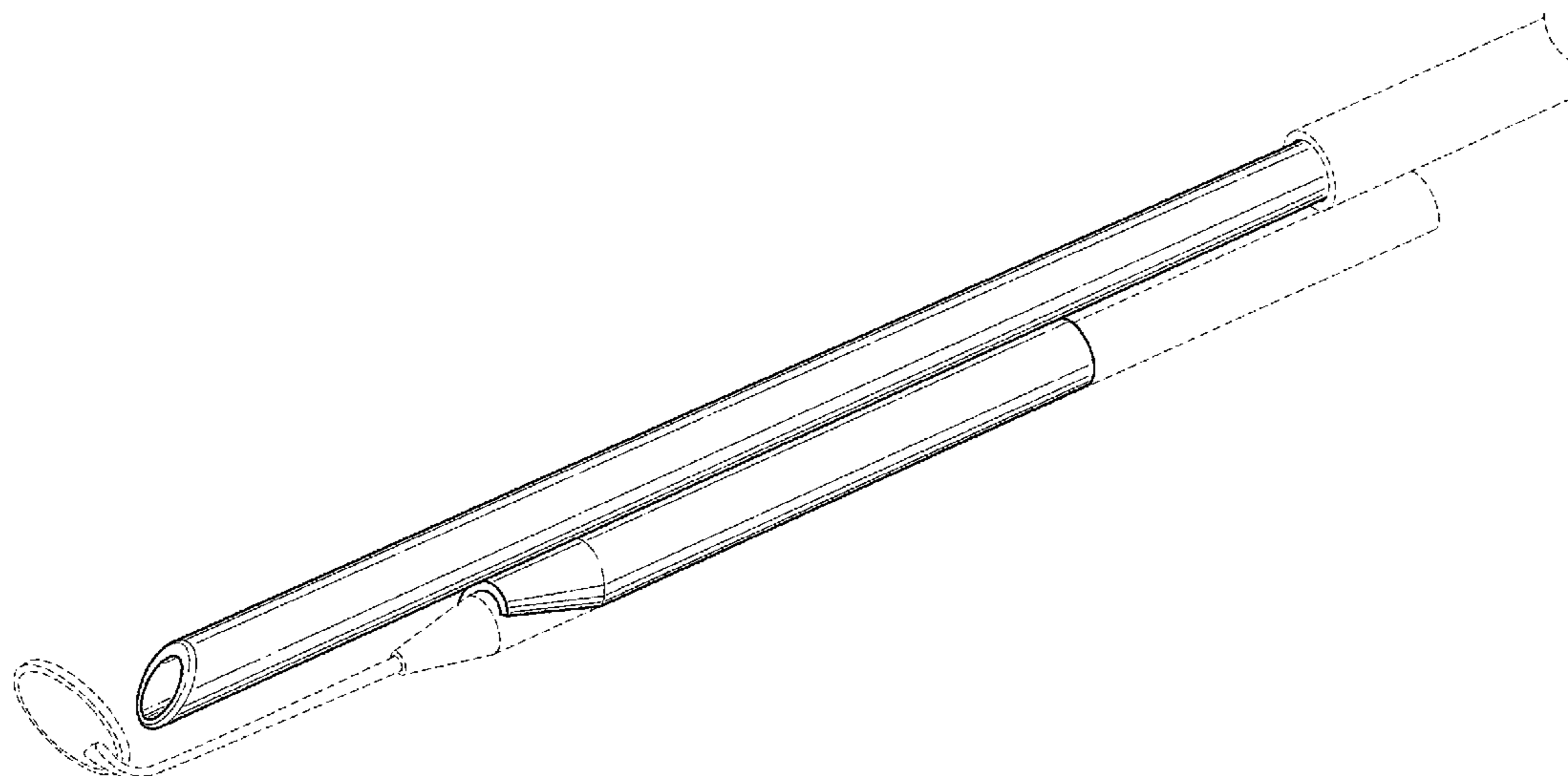
(57) **CLAIM**

I claim the ornamental design for an air hose nozzle for dental mirror, as shown and described.

**DESCRIPTION**

FIG. 1 is a front perspective view of an air hose nozzle for dental mirror showing our design;  
FIG. 2 is a front view thereof;  
FIG. 3 is a back view thereof;  
FIG. 4 is a left side view thereof;  
FIG. 5 is a right side view thereof;  
FIG. 6 is a top view thereof;  
FIG. 7 is a bottom view thereof; and,  
FIG. 8 is a front perspective view thereof showing environmental elements that form no part of the claimed design.  
The broken lines shown in the figures show environmental elements for the air hose nozzle for dental mirror that form no part of the claimed design.

**1 Claim, 8 Drawing Sheets**



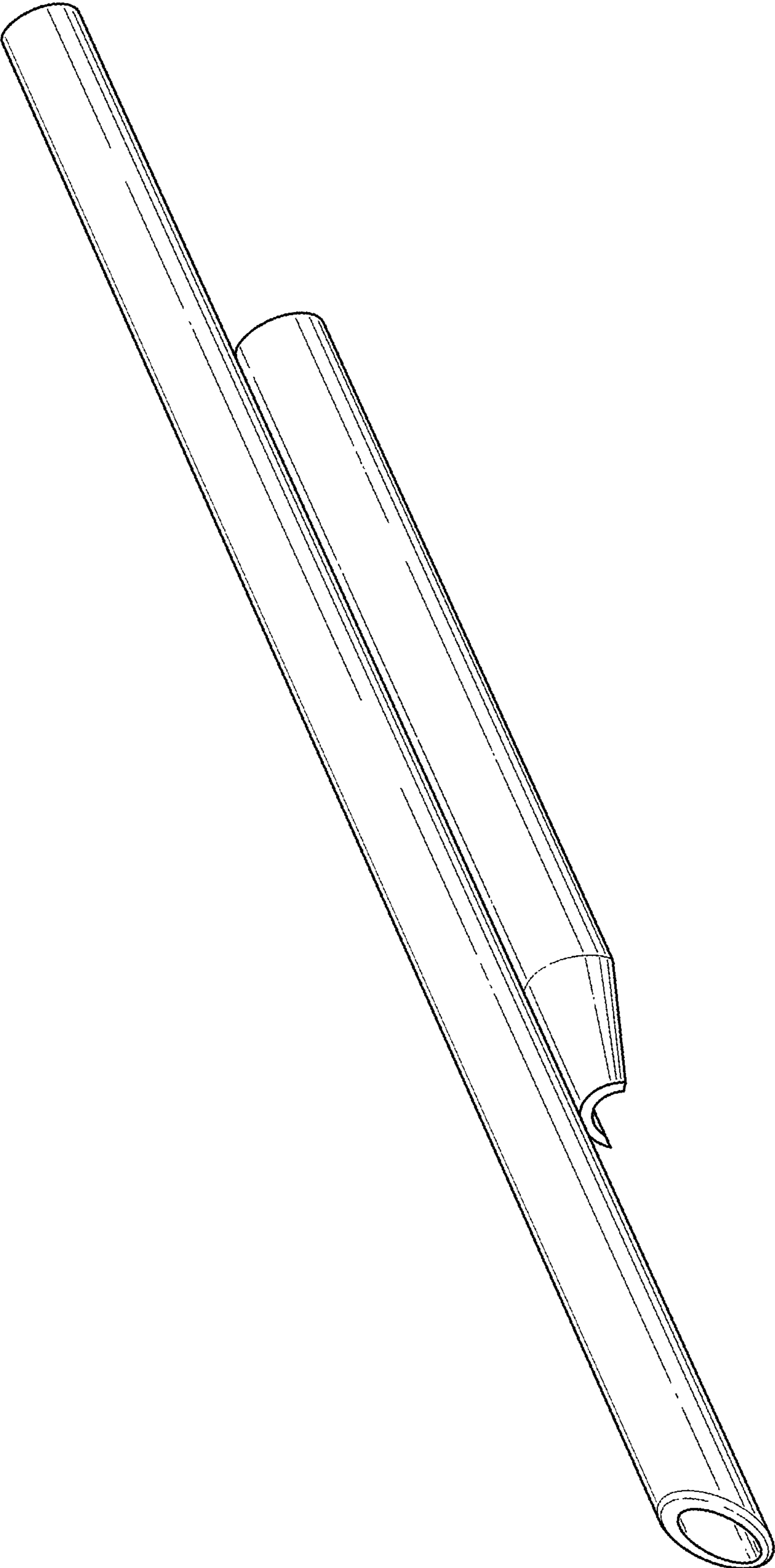


FIG. 1

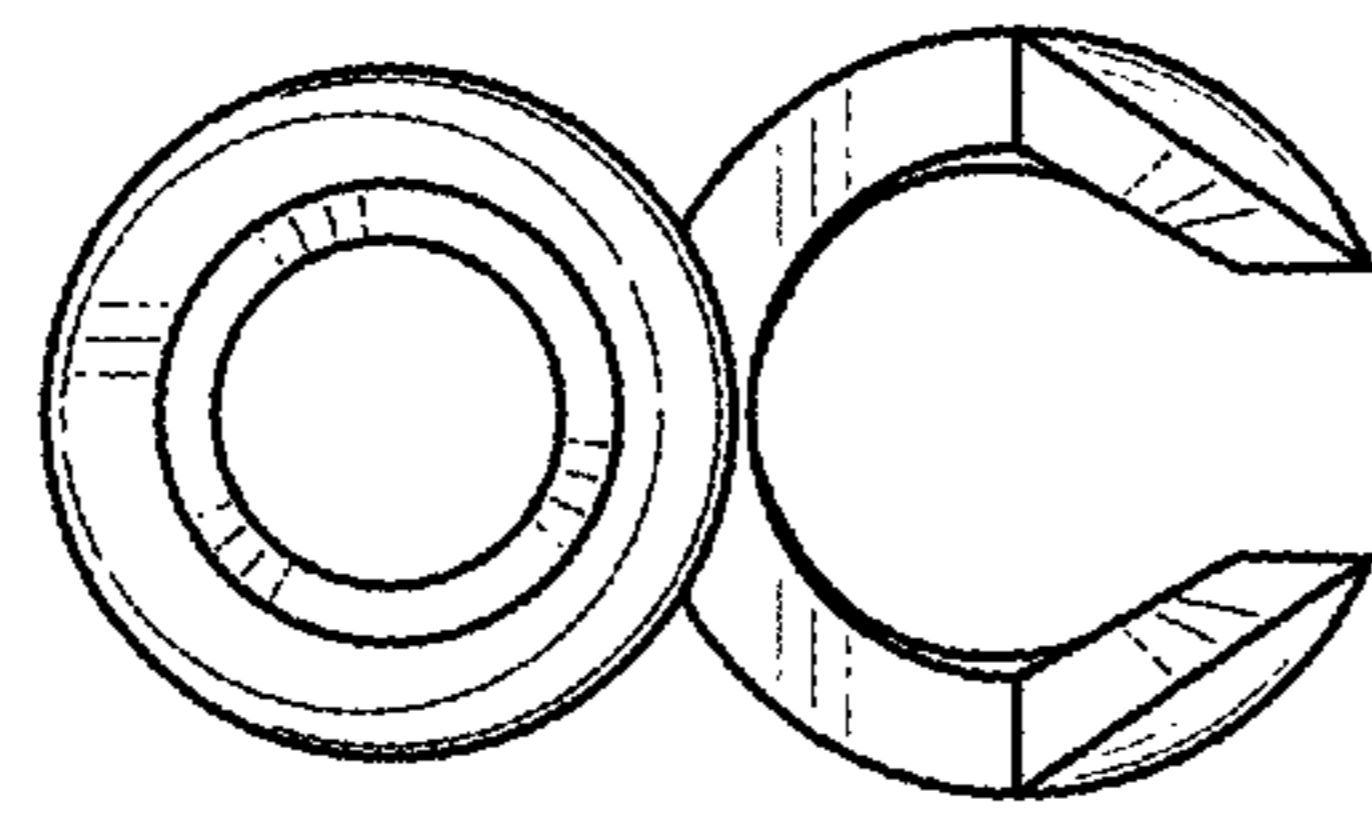


FIG. 2

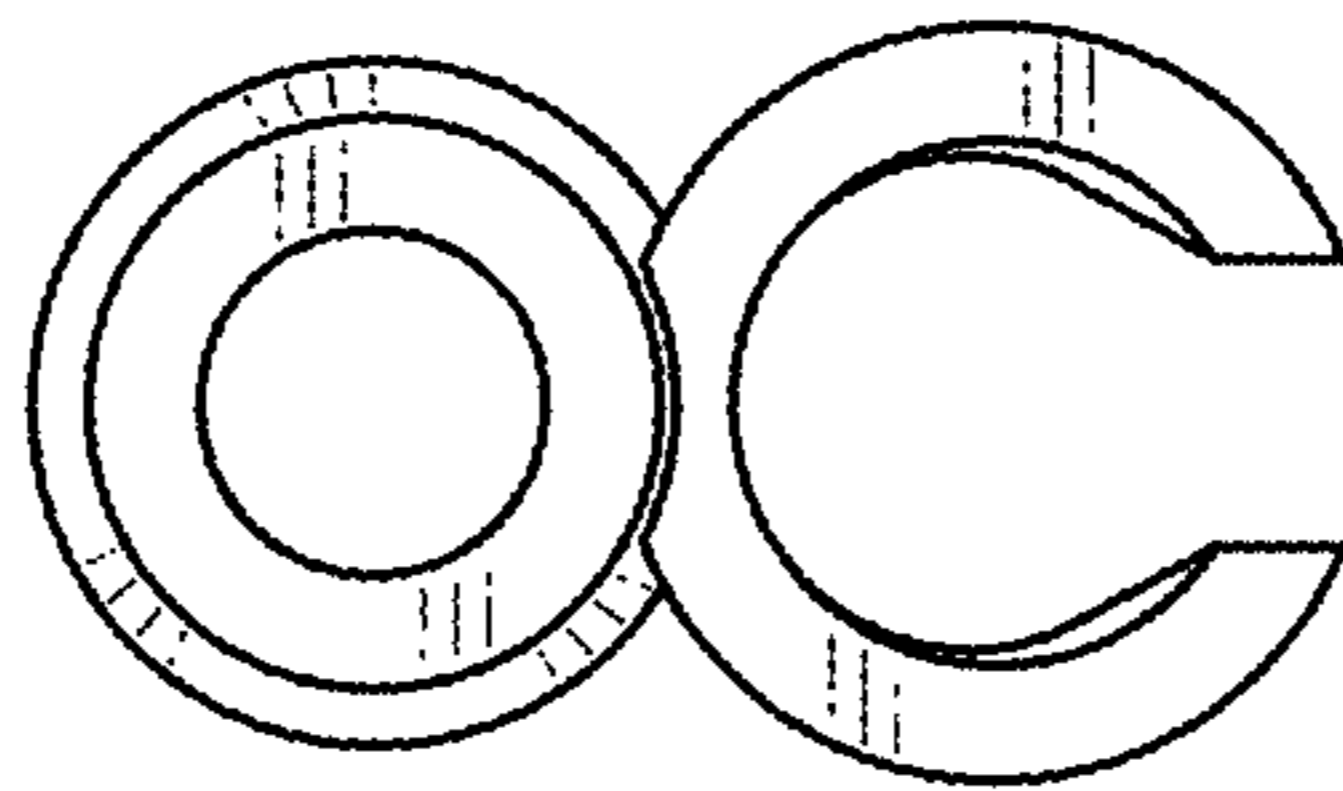


FIG. 3

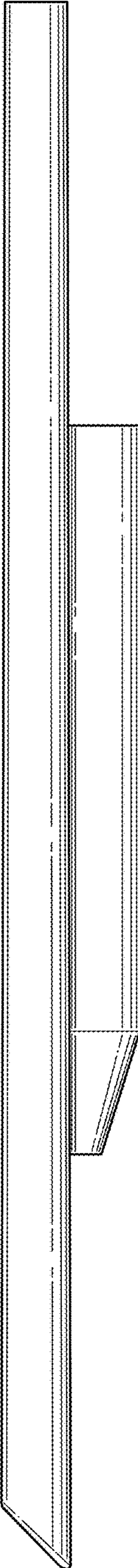


FIG. 4

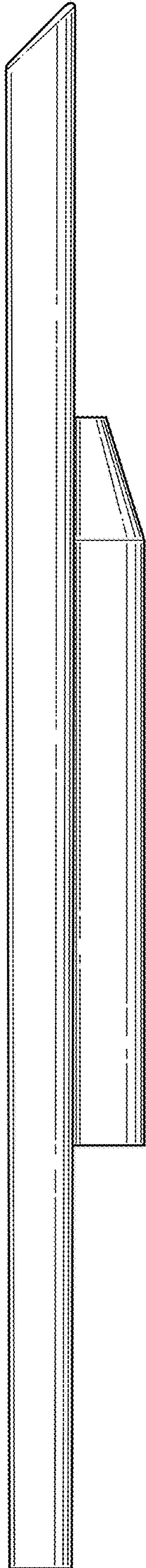


FIG. 5



FIG. 6



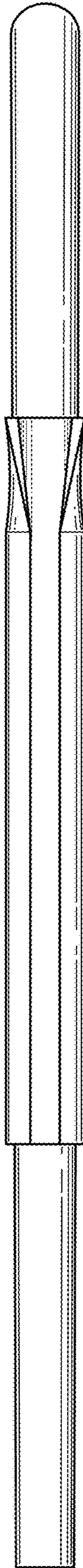


FIG. 7



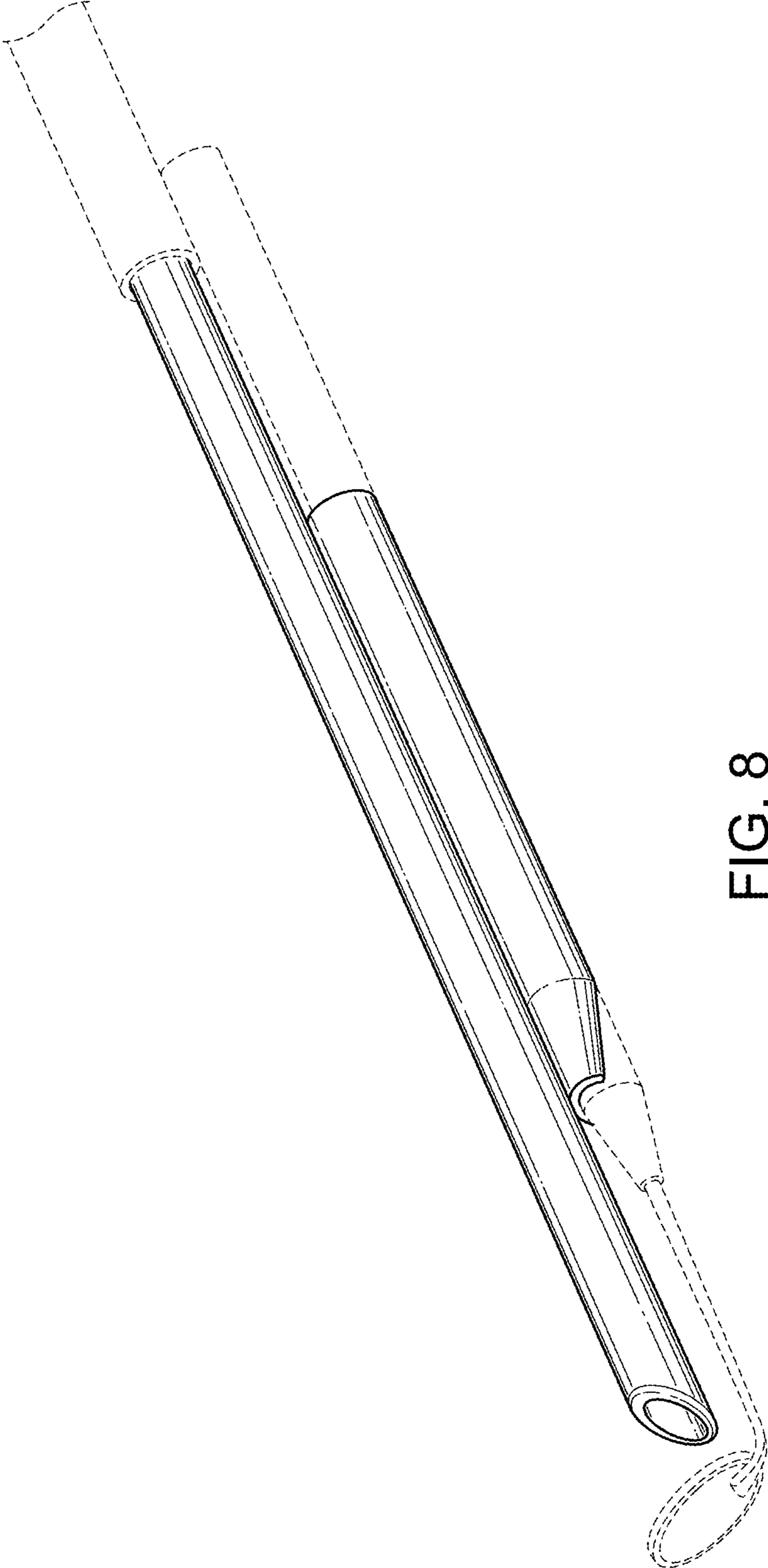


FIG. 8