



US00D827138S

(12) **United States Design Patent** (10) **Patent No.:** **US D827,138 S**  
**Sun et al.** (45) **Date of Patent:** **\*\* Aug. 28, 2018**

(54) **PART OF A MAGNETIC RESONANCE IMAGING SYSTEM**

(71) Applicant: **KONINKLIJKE PHILIPS N.V.**,  
Eindhoven (NL)

(72) Inventors: **Wei Lun Sun**, Shanghai (CN); **Tom Philippe Jean Jacques Delaey**, Mol (BE); **Wen Deng**, Suzhou (CN)

(73) Assignee: **KONINKLIJKE PHILIPS N.V.**,  
Eindhoven (NL)

(\*\*) Term: **15 Years**

(21) Appl. No.: **35/502,012**

(22) Filed: **May 31, 2016**

(80) **Hague Agreement Data**

Int. Filing Date: **May 31, 2016**  
Int. Reg. No.: **DM/092126**  
Int. Reg. Date: **May 31, 2016**  
Int. Reg. Pub. Date: **Dec. 2, 2016**

(30) **Foreign Application Priority Data**

Jan. 19, 2016 (EM) ..... 002949743-0001

(51) **LOC (11) Cl.** ..... **24-00**

(52) **U.S. Cl.**  
USPC ..... **D24/158**

(58) **Field of Classification Search**  
USPC ..... D24/185, 158, 159; D10/81; 600/418  
CPC ..... A61B 5/7445  
See application file for complete search history.

(56) **References Cited**

**U.S. PATENT DOCUMENTS**

D408,915 S \* 4/1999 Ogiwara ..... D24/158  
D438,619 S \* 3/2001 Okada ..... D24/158

D549,826 S \* 8/2007 Aoki ..... D24/158  
D563,555 S \* 3/2008 Kasai ..... D24/158  
D591,862 S \* 5/2009 Taniguchi ..... D24/158  
D592,751 S \* 5/2009 Ninomiya ..... D24/158  
D669,182 S \* 10/2012 Prado ..... D24/158  
D686,324 S \* 7/2013 Davis ..... D24/158  
D742,011 S \* 10/2015 Sul ..... D24/158  
D742,523 S \* 11/2015 Sul ..... D24/158  
D746,464 S \* 12/2015 Rapoport ..... D24/158  
D751,711 S \* 3/2016 Patil ..... D24/158  
D770,049 S \* 10/2016 Yanagihara ..... D24/159  
D786,438 S \* 5/2017 Sul ..... D24/158  
D787,064 S \* 5/2017 Sul ..... D24/158  
D796,358 S \* 9/2017 Abbott ..... D10/81  
D798,459 S \* 9/2017 Lura ..... D24/185  
D799,044 S \* 10/2017 Graziani ..... D24/158  
2016/0058397 A1 \* 3/2016 Kim ..... A61B 5/7445  
600/418

\* cited by examiner

*Primary Examiner* — Rhea Shields

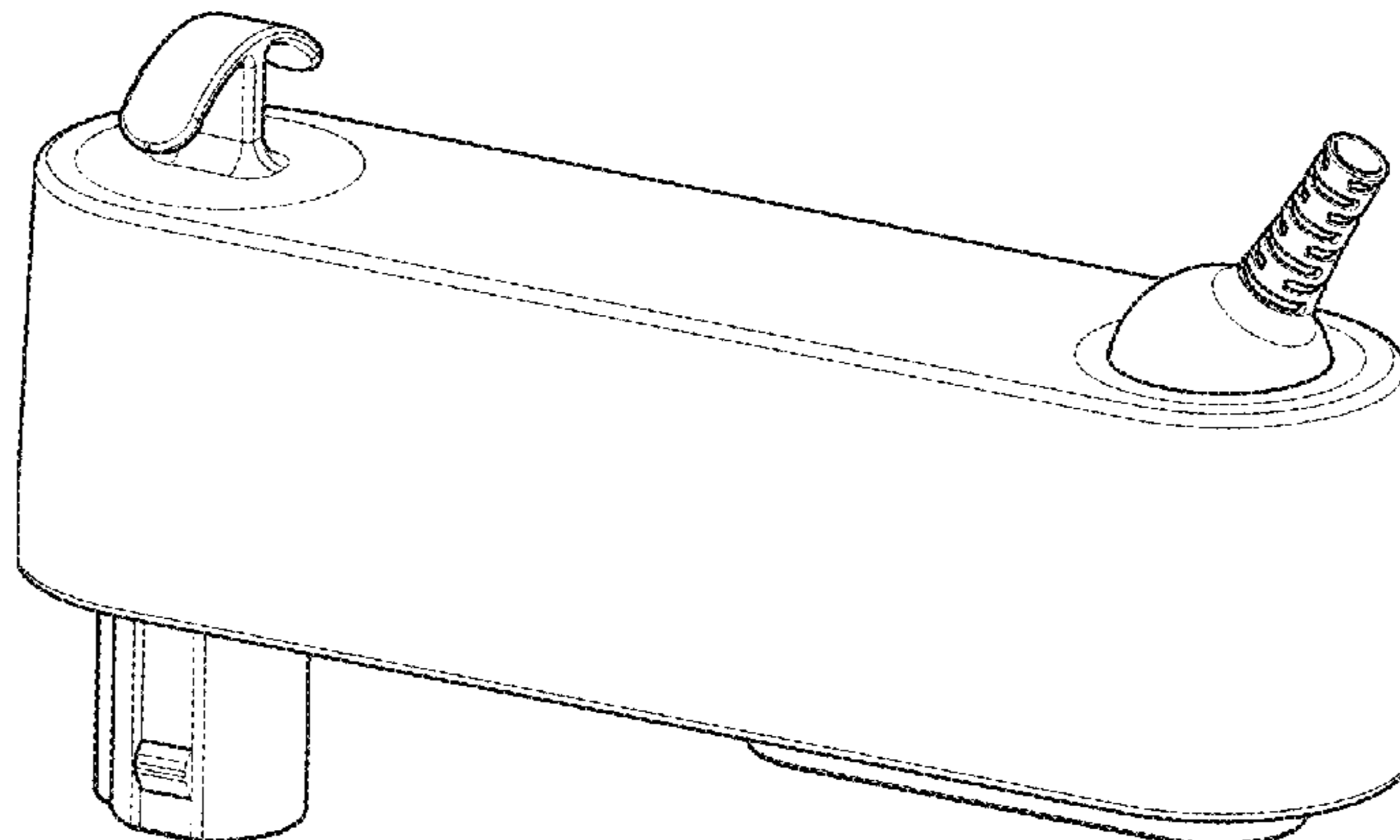
(57) **CLAIM**

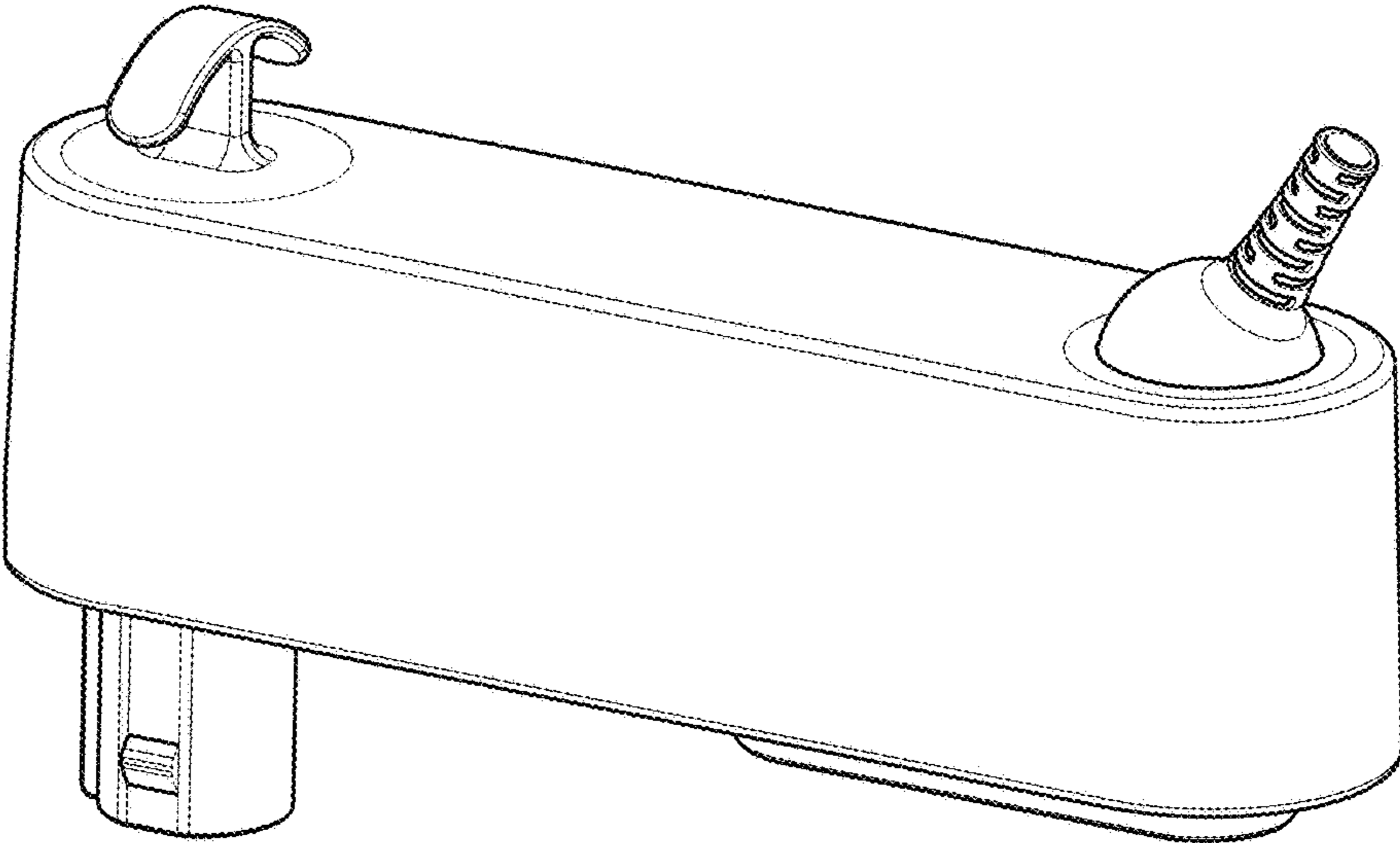
The ornamental design for a part of a magnetic resonance imaging system, as shown and described.

**DESCRIPTION**

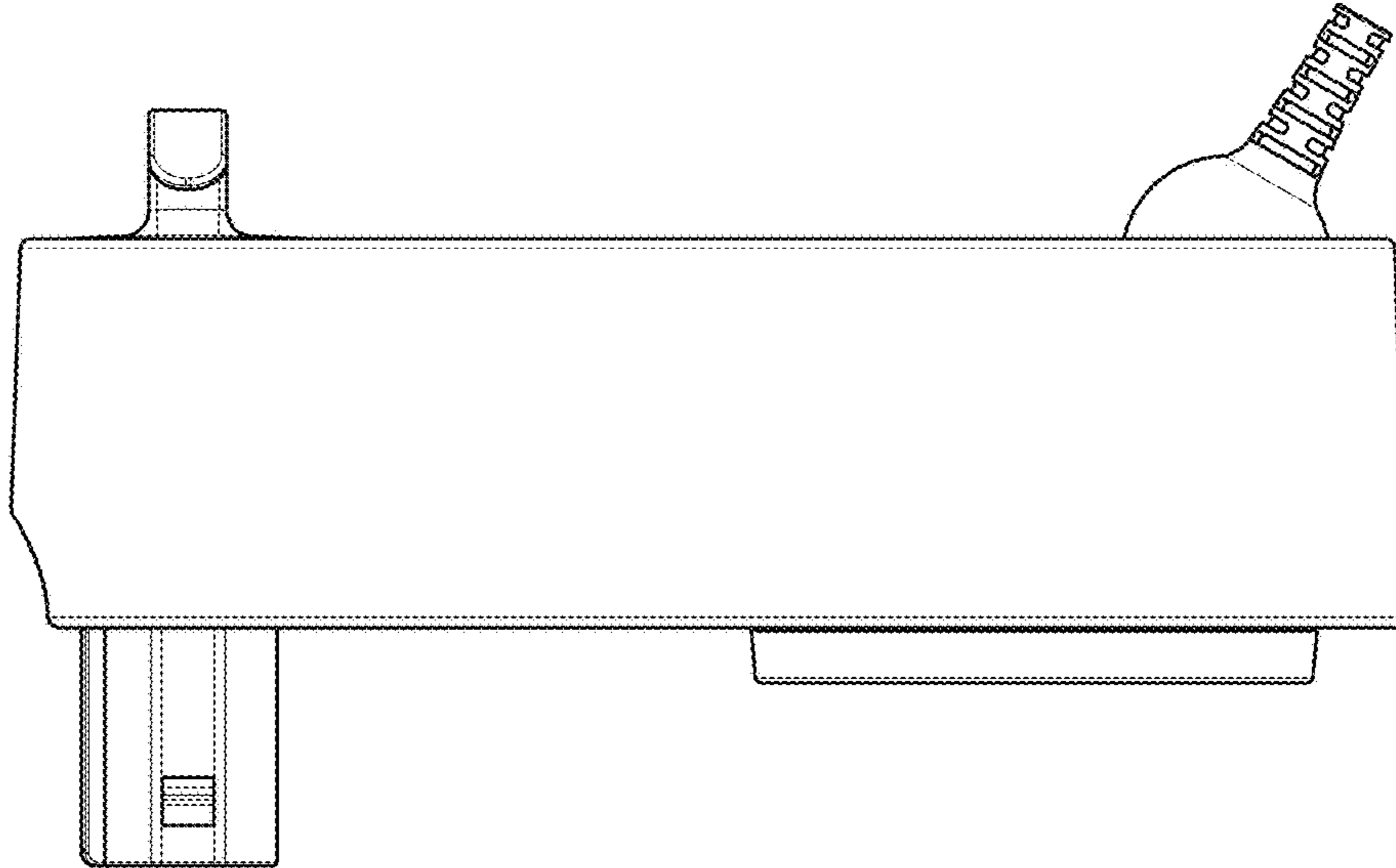
1. Part of a magnetic resonance imaging system  
1.1 is a perspective view showing the part of a magnetic resonance imaging system of our design;  
1.2 is a front elevational view thereof;  
1.3 is a rear elevational view thereof;  
1.4 is a left side elevational view thereof;  
1.5 is a right side elevational view thereof;  
1.6 is a top plan view thereof; and  
1.7 is a bottom plan view thereof.  
The portions of the part of a magnetic resonance imaging system shown in broken lines are included for the purpose of illustrating unclaimed portions of the part of a magnetic resonance imaging system and form no part of the claimed design.

**1 Claim, 4 Drawing Sheets**

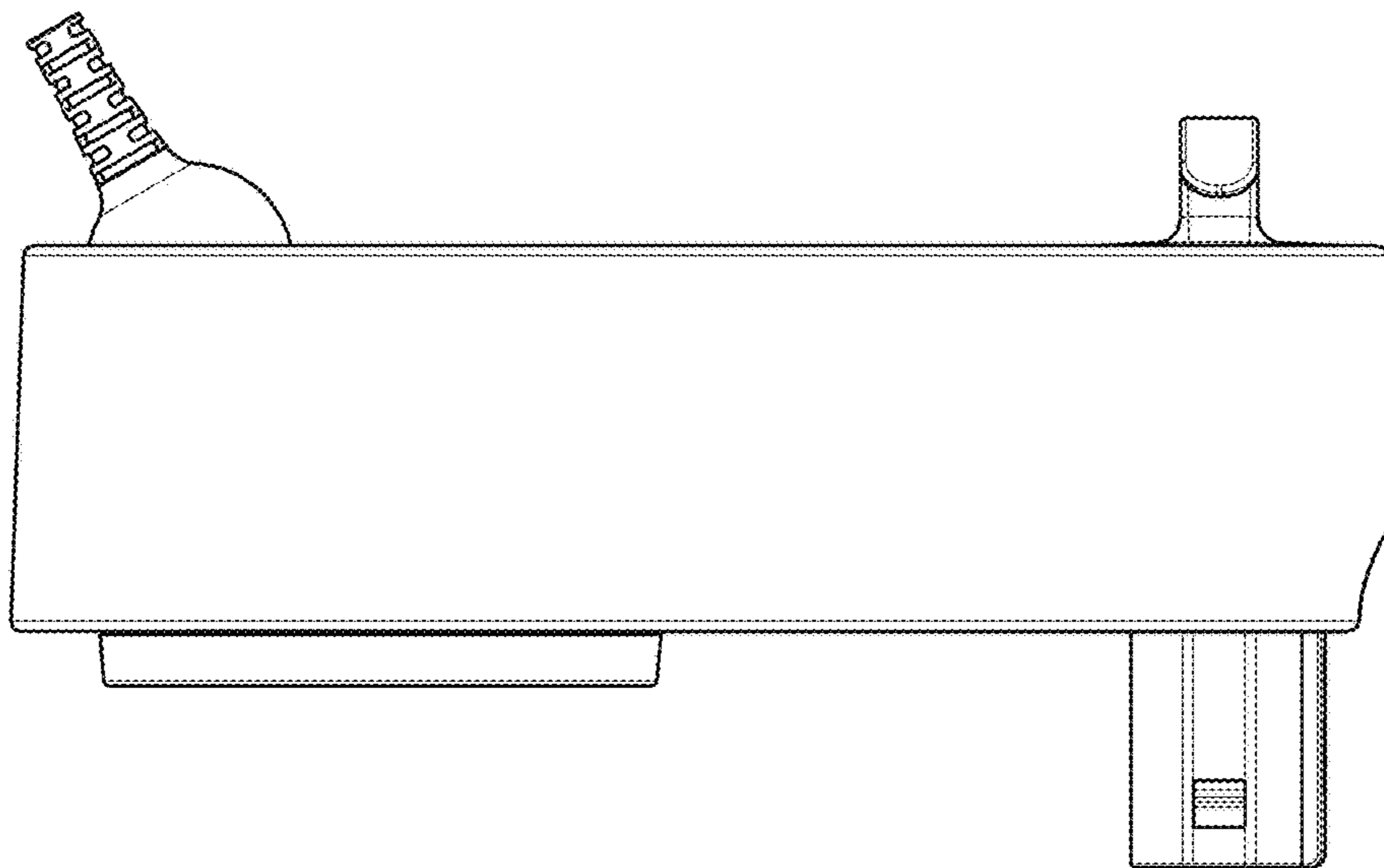




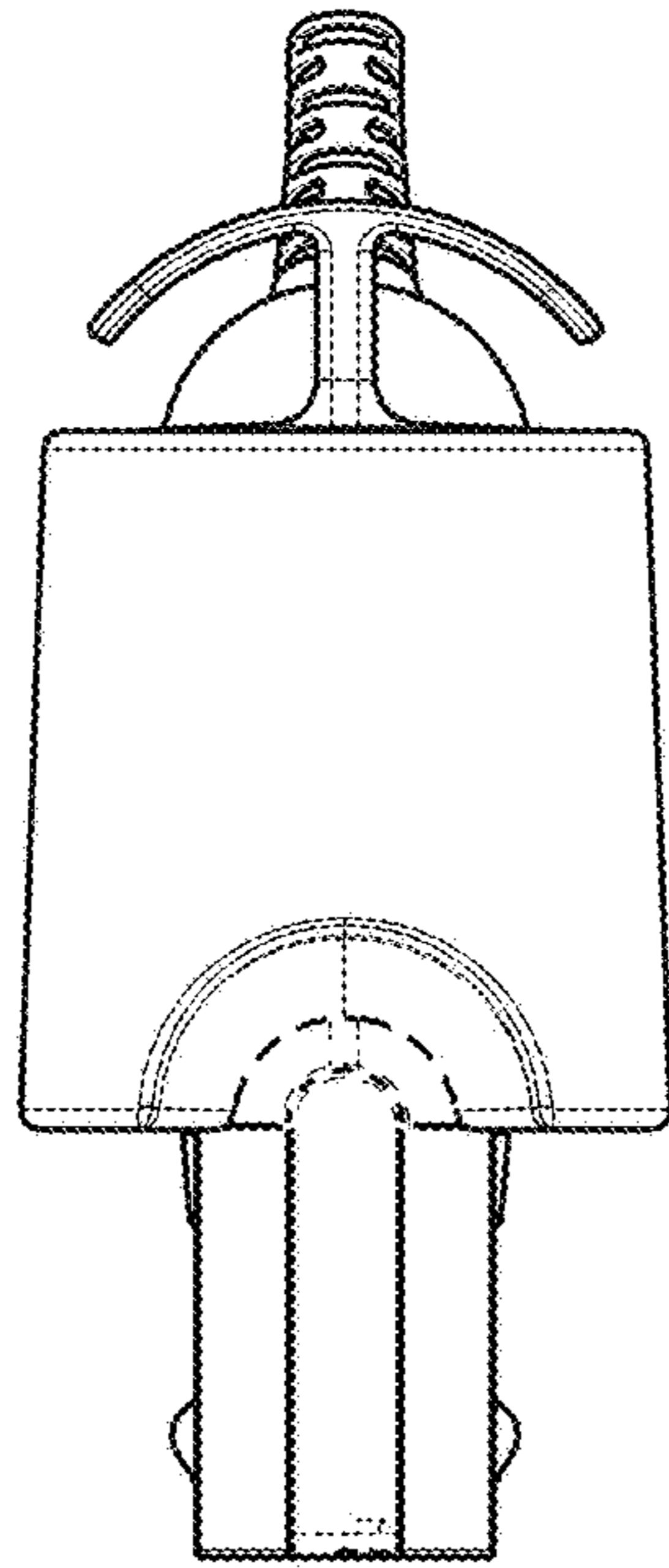
1.1



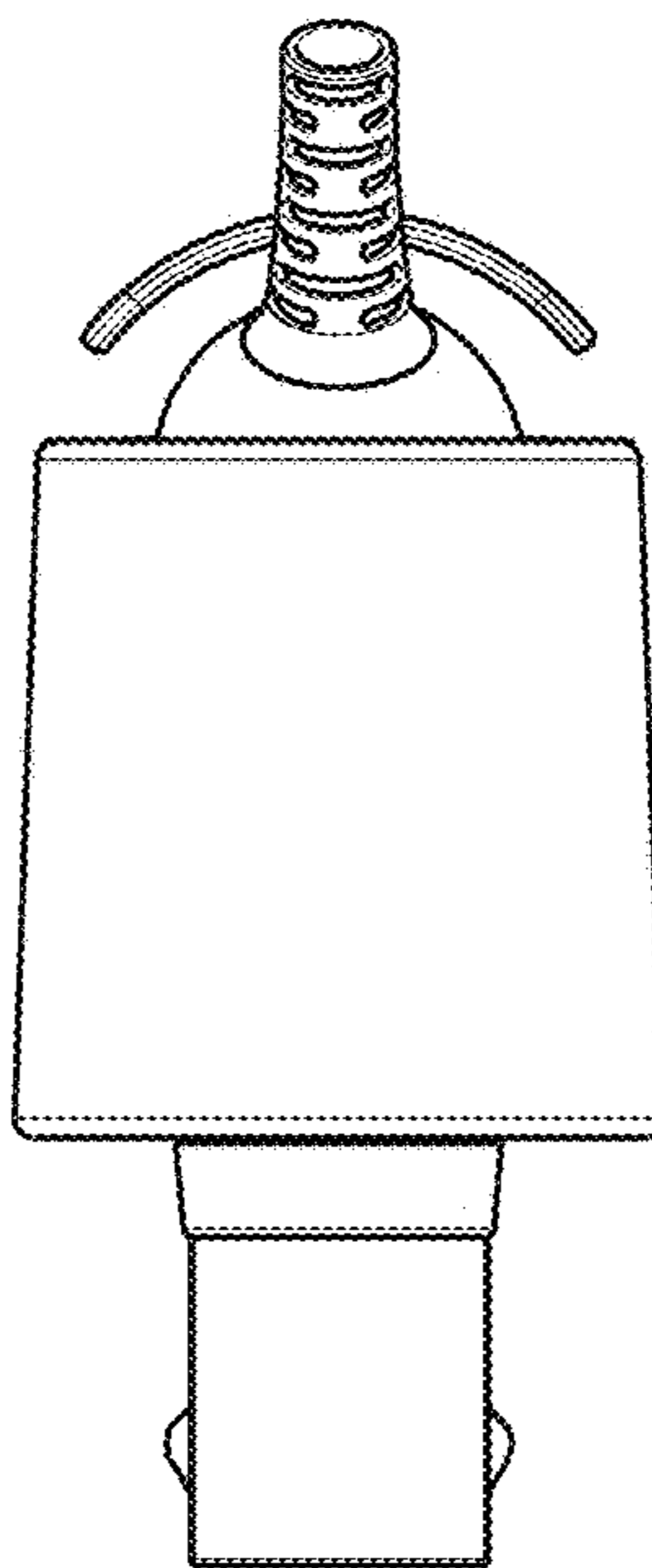
1.2



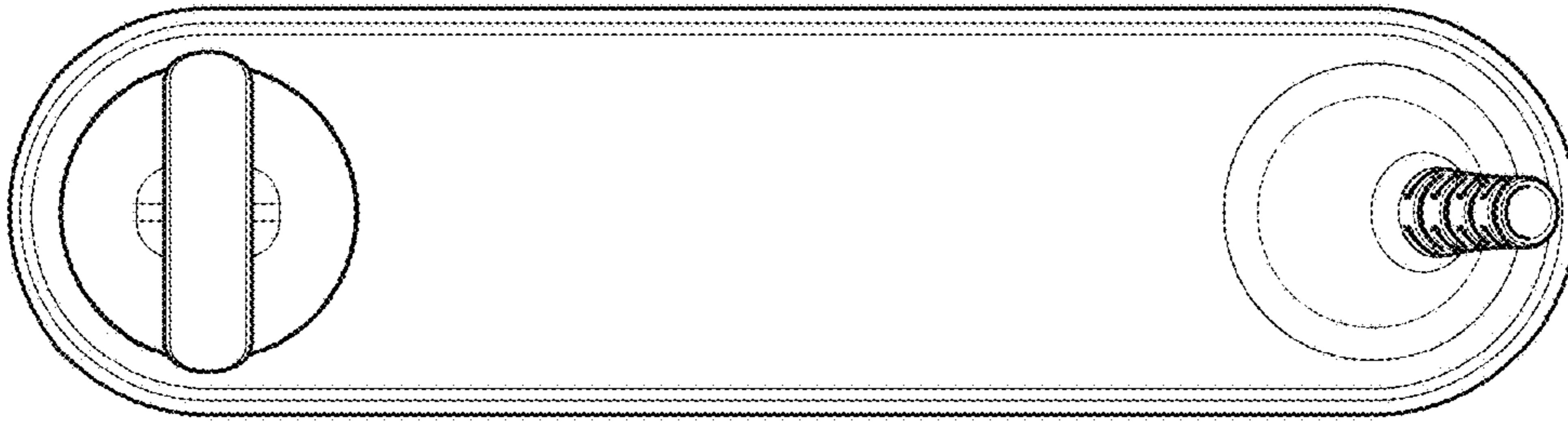
1.3



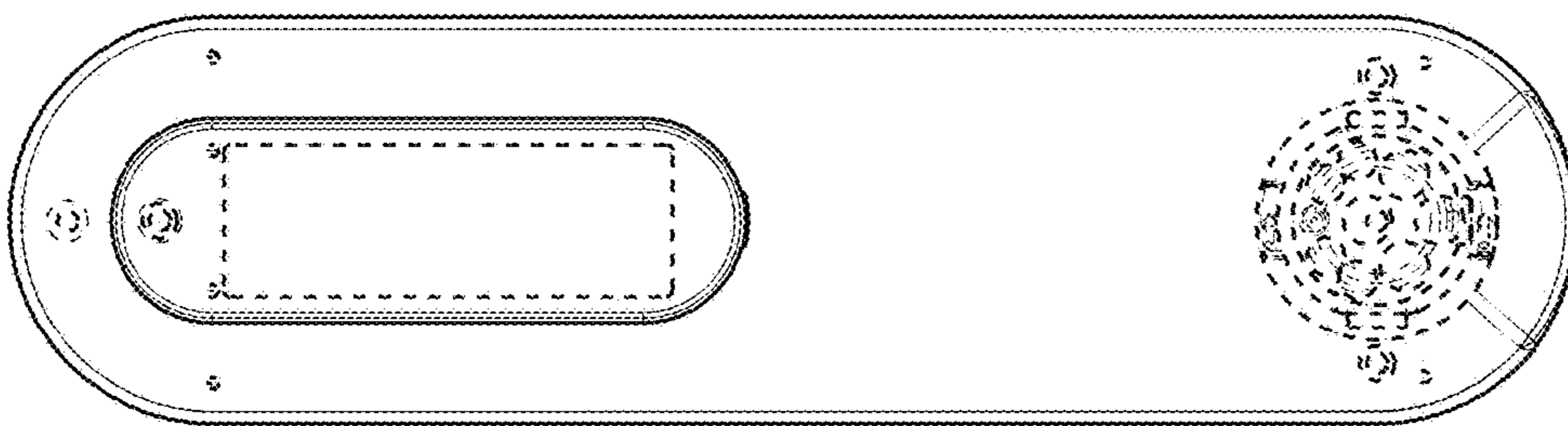
1.4



1.5



1.6



1.7