



US00D827134S

(12) **United States Design Patent** (10) **Patent No.:** **US D827,134 S**  
**Matsumura** (45) **Date of Patent:** **\*\* Aug. 28, 2018**

(54) **SIZER FOR CARDIAC VALVE RING AND BLOOD VESSEL DIAMETER**

(71) Applicant: **MEDICAL PINE CO., LTD.**, Tokyo (JP)

(72) Inventor: **Kenichi Matsumura**, Tokyo (JP)

(\*\*) Term: **15 Years**

(21) Appl. No.: **35/500,933**

(22) Filed: **Nov. 10, 2015**

(80) **Hague Agreement Data**

Int. Filing Date: **Nov. 10, 2015**

Int. Reg. No.: **DM/089130**

Int. Reg. Date: **Nov. 10, 2015**

Int. Reg. Pub. Date: **May 13, 2016**

(30) **Foreign Application Priority Data**

Aug. 13, 2015 (JP) ..... 2015-17947

Aug. 13, 2015 (JP) ..... 2015-17948

(51) **LOC (11) Cl.** ..... **24-02**

(52) **U.S. Cl.**  
USPC ..... **D24/140**

(58) **Field of Classification Search**

USPC ..... D24/140, 106, 146, 133, 135, 164, 130,  
D24/171, 138, 143, 144, 137; D7/395;  
D13/154; D10/78; 128/203.12;  
137/512.1; 623/2.24

CPC . A61F 2/2406; A61F 2/2403; A61M 16/0463;  
A61B 5/0492

See application file for complete search history.

(56) **References Cited**

**U.S. PATENT DOCUMENTS**

4,655,772 A \* 4/1987 De Liotta ..... A61F 2/2406  
623/2.24

4,863,467 A \* 9/1989 Bokros ..... A61F 2/2403  
137/512.1

5,181,508 A \* 1/1993 Poole, Jr. .... A61M 16/0463  
128/203.12  
D548,325 S \* 8/2007 Benner ..... D24/106  
D590,946 S \* 4/2009 Baynham ..... D24/146  
D603,046 S \* 10/2009 Frey ..... D24/133  
D627,460 S \* 11/2010 Horton ..... D24/133  
D652,519 S \* 1/2012 Miles ..... A61B 5/0492  
D24/135  
D708,337 S \* 7/2014 Larsen ..... D24/164  
D715,430 S \* 10/2014 Yu ..... D24/130  
D722,698 S \* 2/2015 Frankel ..... D24/171  
D752,744 S \* 3/2016 Luo ..... D24/138

(Continued)

*Primary Examiner* — Rhea Shields

(57) **CLAIM**

The ornamental design for a sizer for cardiac valve ring and blood vessel diameter, as shown and described.

**DESCRIPTION**

1. Sizer for cardiac valve ring and blood vessel diameter

1.1: Perspective

1.2: Front

1.3: Back

1.4: Top

1.5: Right

1.6: Left

2.1: Perspective

2.2: Front

2.3: Back

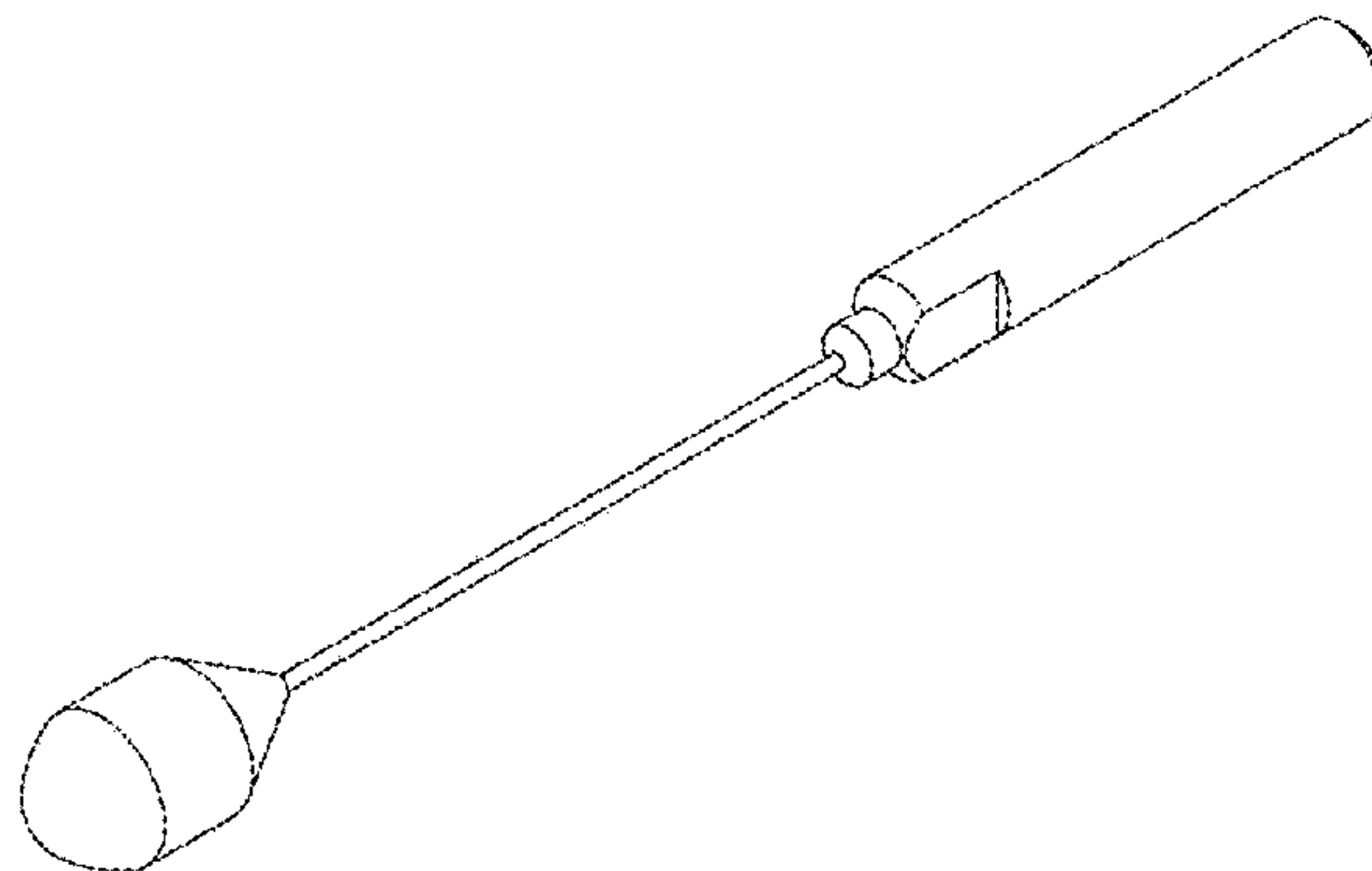
2.4: Top

2.5: Right

2.6: Left

The article of design 1 is used to choose the valve for the artificial heart of size that is adapted to the diameter of the cardiac valve ring of the patient; the article of design 2 is used to choose the blood vessel diameter of cardiac aorta for the artificial heart of size that is adapted to the diameter of the blood vessel diameter of cardiac aorta of the patient.

**1 Claim, 12 Drawing Sheets**



(56)

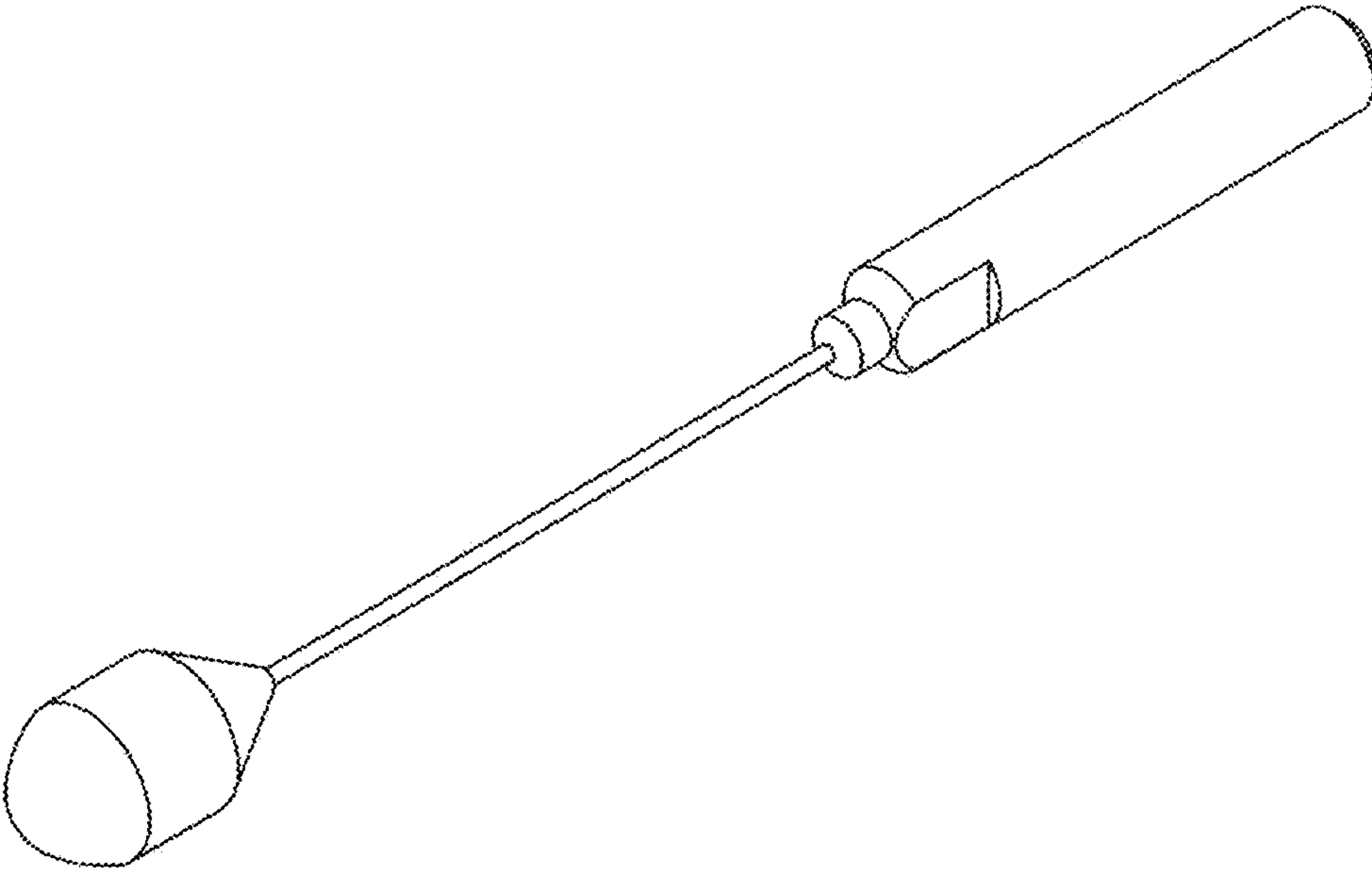
**References Cited**

U.S. PATENT DOCUMENTS

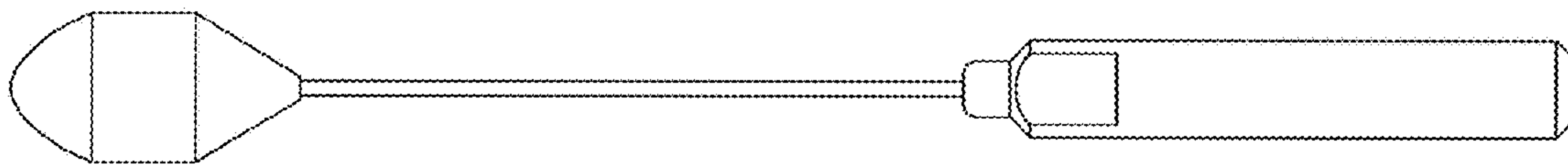
D753,823	S	*	4/2016	Hayamizu .....	D24/138
D756,818	S	*	5/2016	Hashimoto .....	D10/78
D758,580	S	*	6/2016	Greco .....	D24/143
D761,426	S	*	7/2016	Morales .....	D24/140
D761,428	S	*	7/2016	Birkenbach .....	D24/140
D761,960	S	*	7/2016	Petersen .....	D24/140
D763,443	S	*	8/2016	Chen .....	D24/133
D763,447	S	*	8/2016	Efinger .....	D24/144
D765,602	S	*	9/2016	Nasu .....	D13/154
D766,433	S	*	9/2016	Blackledge .....	D24/146
D770,985	S	*	11/2016	Nasu .....	D13/154
D771,808	S	*	11/2016	Efinger .....	D24/137
D772,408	S	*	11/2016	Alexander .....	D24/135
D777,509	S	*	1/2017	Lee .....	D7/395

\* cited by examiner

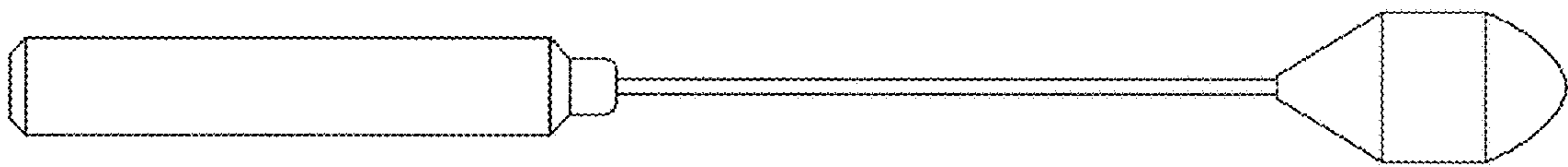
1.1



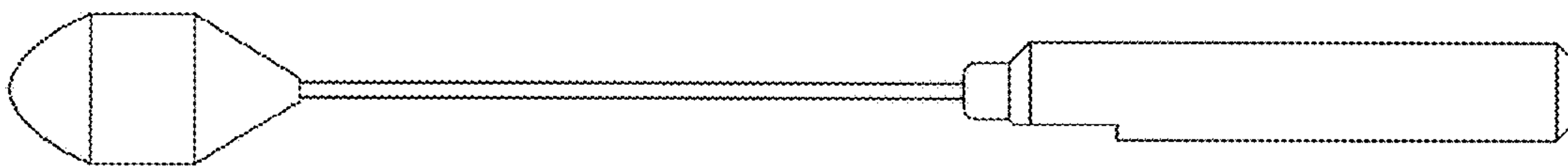
1.2



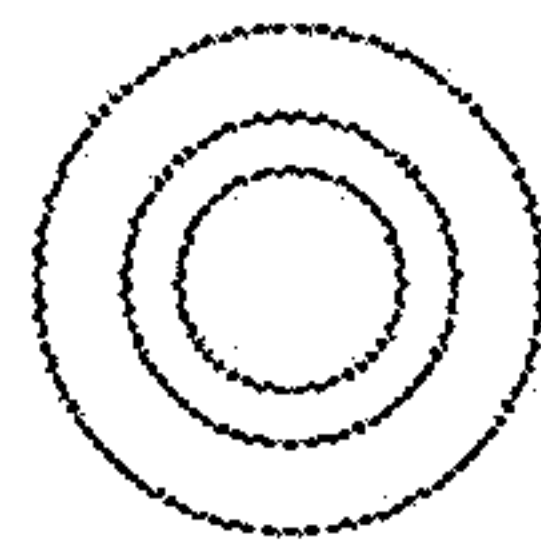
1.3



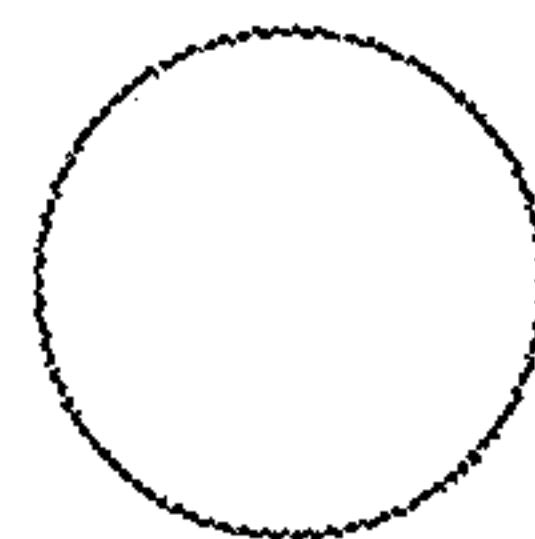
1.4



1.5

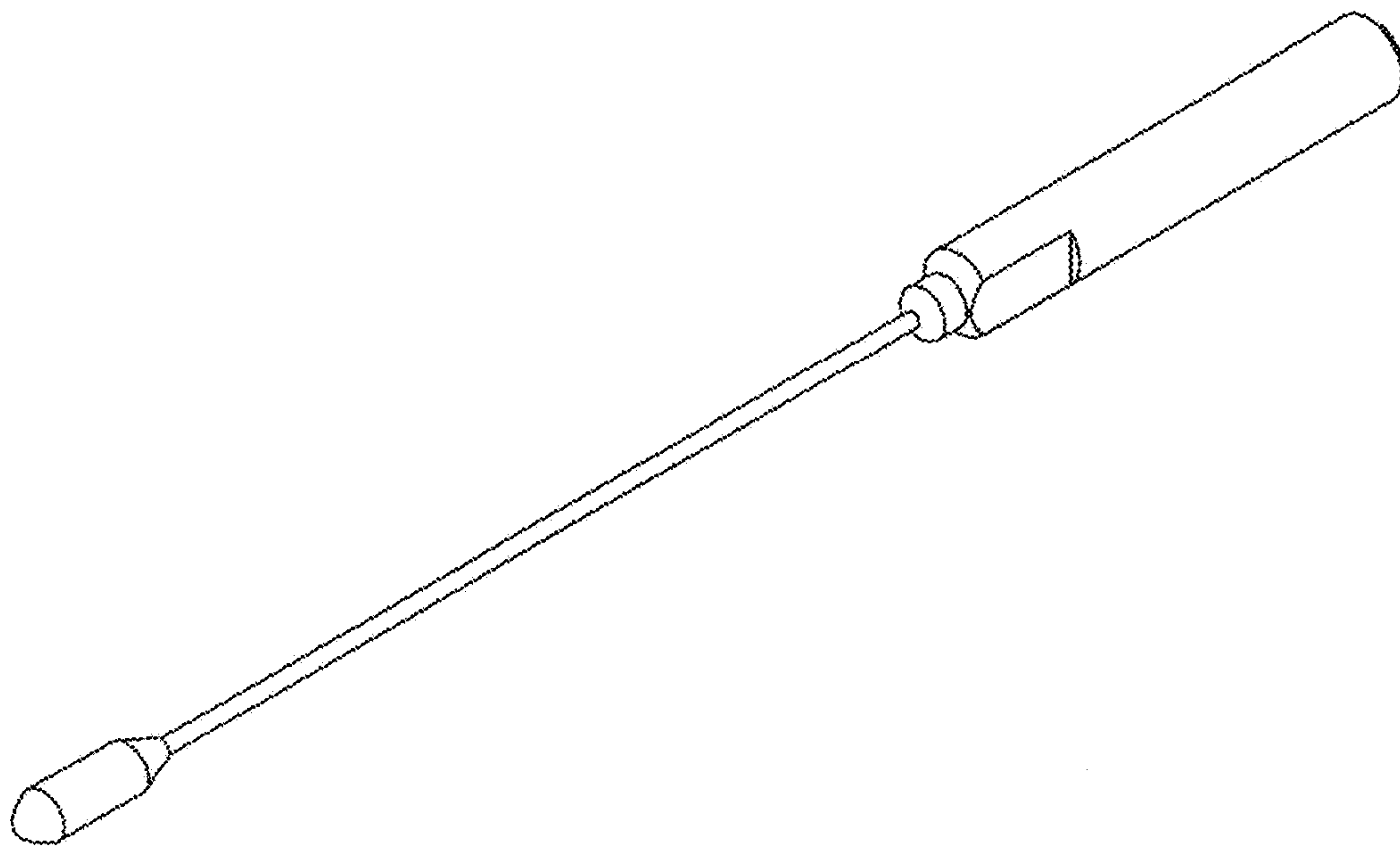


1.6

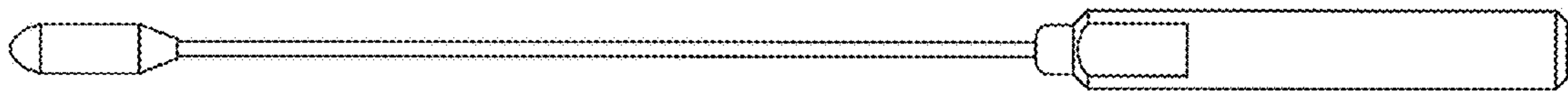




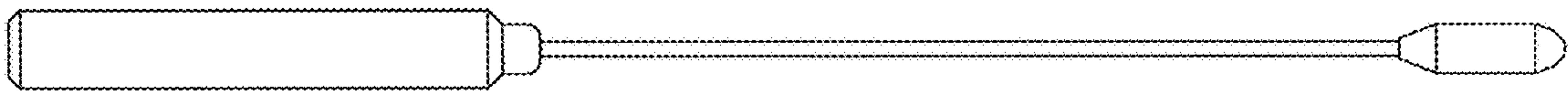
2.1



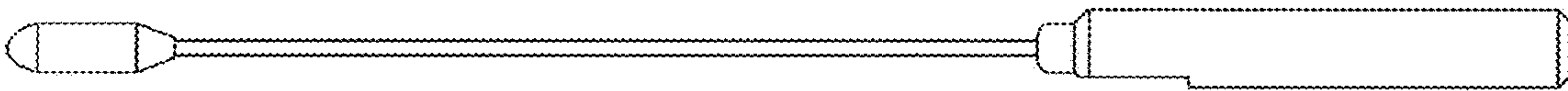
2.2



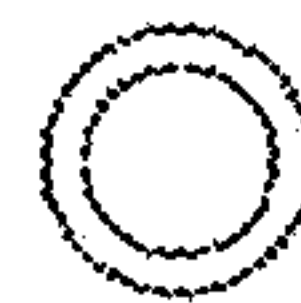
2.3



2.4



2.5



2.6

